



US00D916164S

(12) **United States Design Patent**
Yue et al.

(10) **Patent No.:** **US D916,164 S**
(45) **Date of Patent:** **** Apr. 13, 2021**

- (54) **CAMERA**
- (71) Applicant: **Amazon Technologies, Inc.**, Seattle, WA (US)
- (72) Inventors: **Shuai Yue**, Mercer Island, WA (US);
Sydney Tye Minnis, Seattle, WA (US)
- (73) Assignee: **Amazon Technologies, Inc.**, Seattle, WA (US)

D772,966 S *	11/2016	Song	D16/200
D789,999 S *	6/2017	Yakabe	D16/200
D805,569 S *	12/2017	Daugela	D16/200
D816,140 S *	4/2018	Ranetkins	G03B 17/08
				D16/200
D821,480 S *	6/2018	Gioscia	D16/219
D835,910 S *	12/2018	Eliyahu	D3/294
D837,861 S *	1/2019	Luo	D16/200
D861,055 S *	9/2019	Sekine	D16/200
D874,534 S *	2/2020	Matsuo	D16/203
D884,050 S *	5/2020	Le	D16/203

(**) Term: **15 Years**

* cited by examiner

(21) Appl. No.: **29/707,144**

Primary Examiner — Ramzi S Almatrahi
(74) *Attorney, Agent, or Firm* — Lee & Hayes, P.C.

(22) Filed: **Sep. 26, 2019**

(51) **LOC (13) Cl.** **16-01**
(52) **U.S. Cl.**

(57) **CLAIM**

USPC **D16/202**; D16/200

The ornamental design for a camera, as shown and described.

(58) **Field of Classification Search**
USPC D16/200, 202–208, 218, 219, 242;
348/143, 148, 151, 373–376; 396/419,
396/427, 535, 539–541; 248/176.1, 187.1
CPC G03B 17/02; G03B 19/04; G03B 17/56;
G03B 17/04; G03B 15/03; H04N 5/2251;
H04N 5/2252; H04N 5/2253; H04N
5/2254; H04N 7/181; H04N 7/183; H04N
7/18

DESCRIPTION

See application file for complete search history.

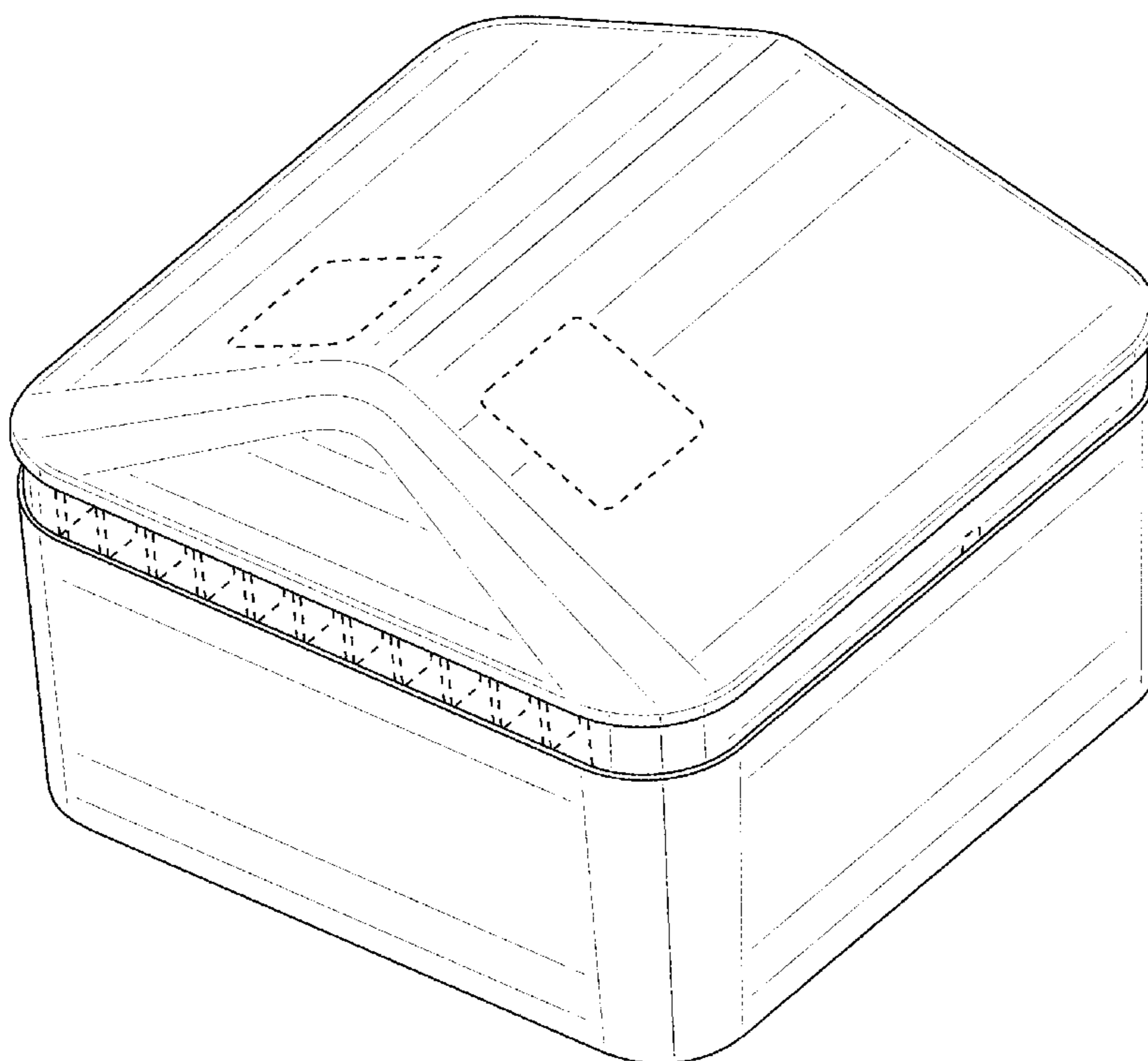
FIG. 1 is a front perspective view of a camera;
FIG. 2 is a front view thereof;
FIG. 3 is a back view thereof;
FIG. 4 is a left-side view thereof;
FIG. 5 is a right-side view thereof;
FIG. 6 is a top view thereof; and,
FIG. 7 is a bottom view thereof.
The dashed broken lines depict portions of the camera that form no part of the claimed design.

(56) **References Cited**

U.S. PATENT DOCUMENTS

D521,038 S *	5/2006	Takagi	D16/200
D772,323 S *	11/2016	Hinkel	D16/200

1 Claim, 7 Drawing Sheets



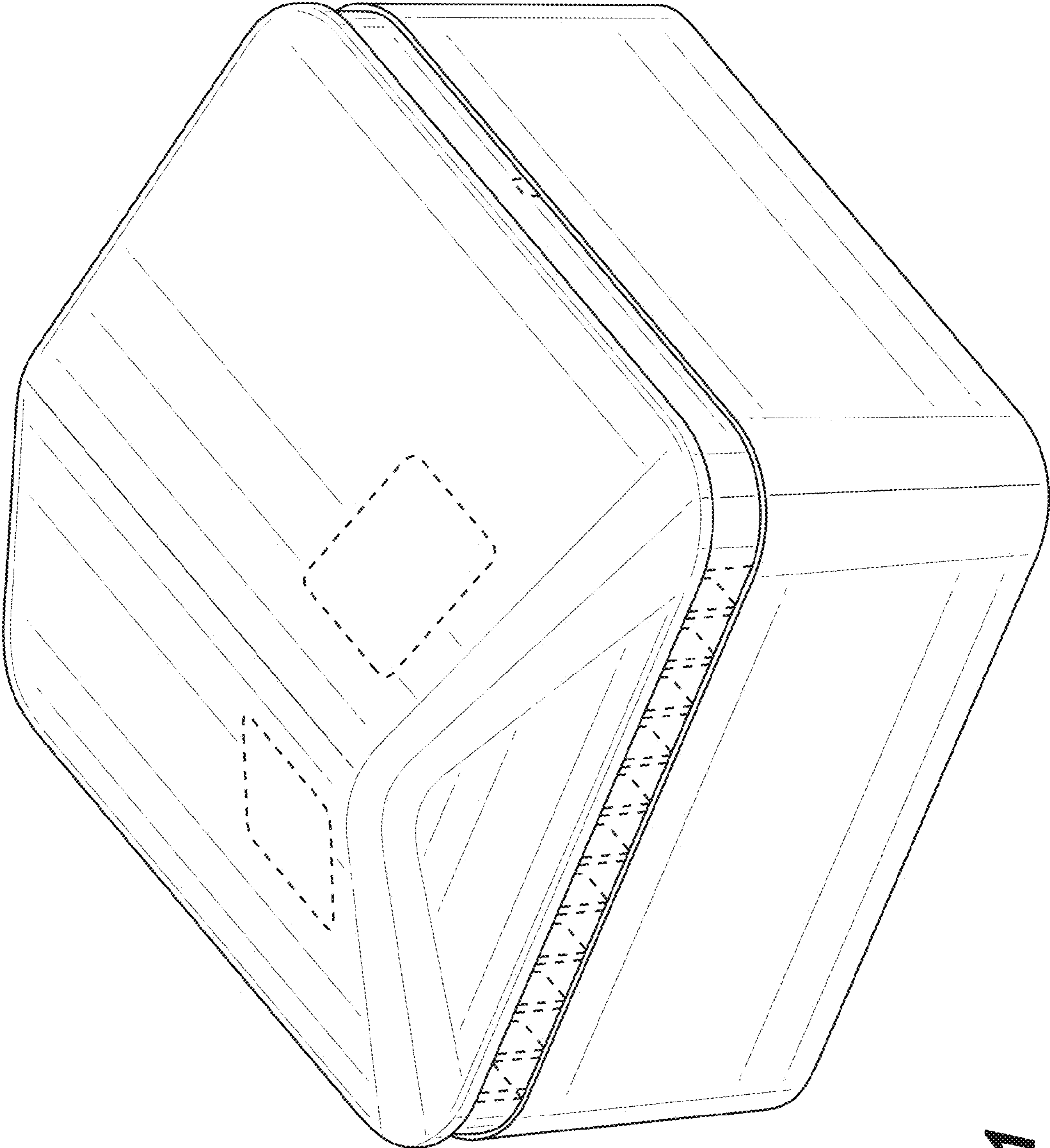


FIG. 1

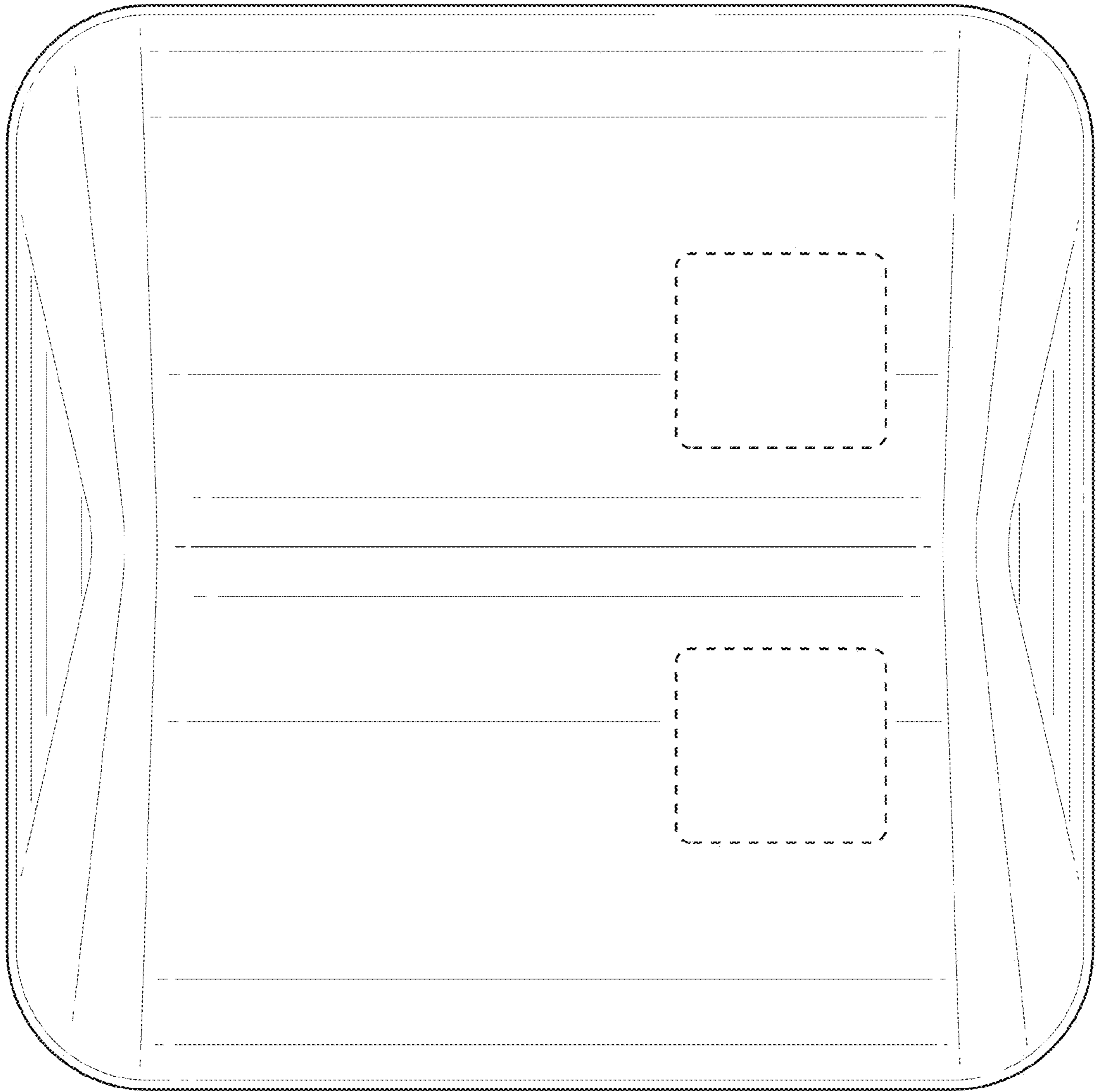


FIG. 2

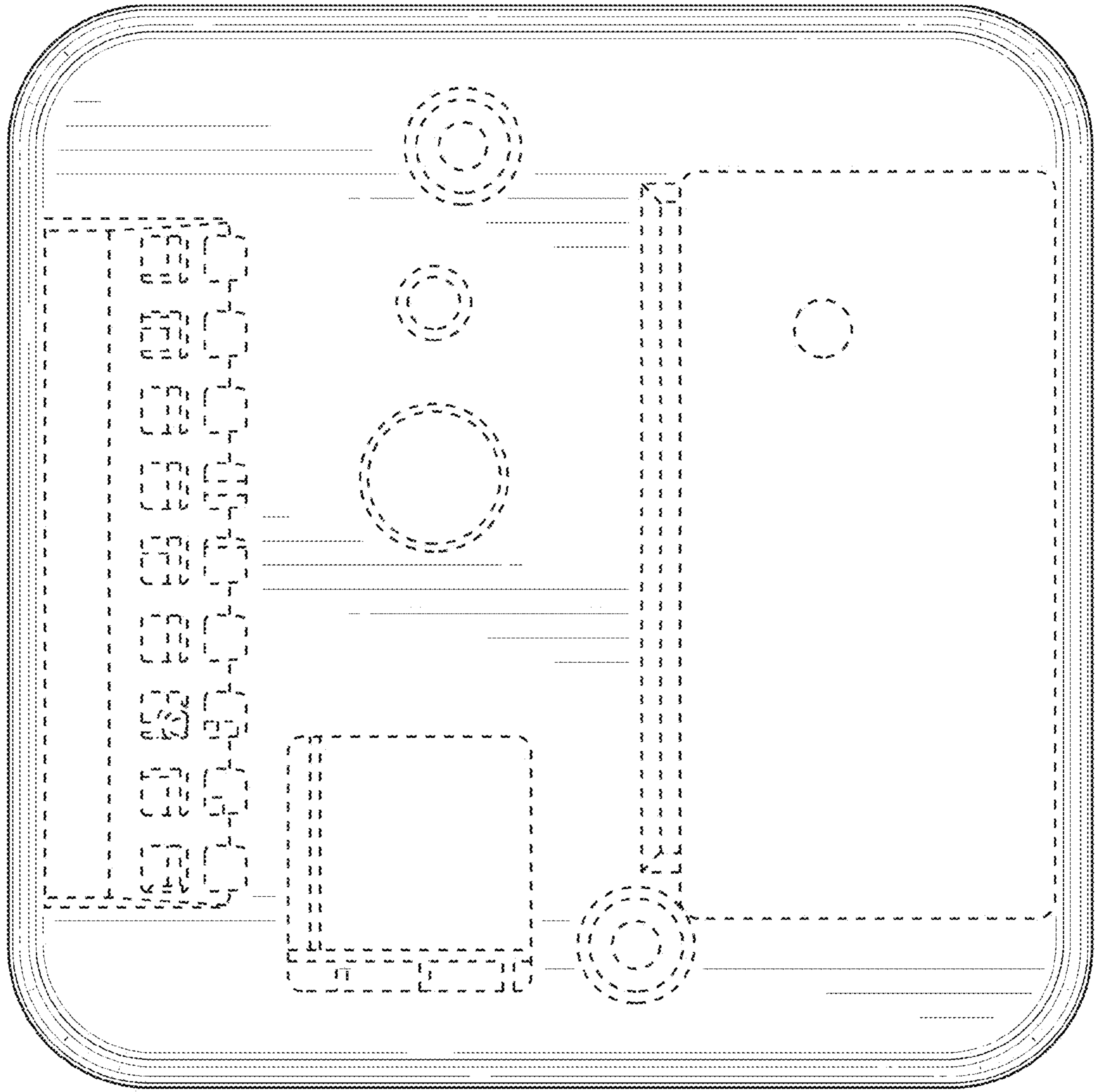


FIG. 3

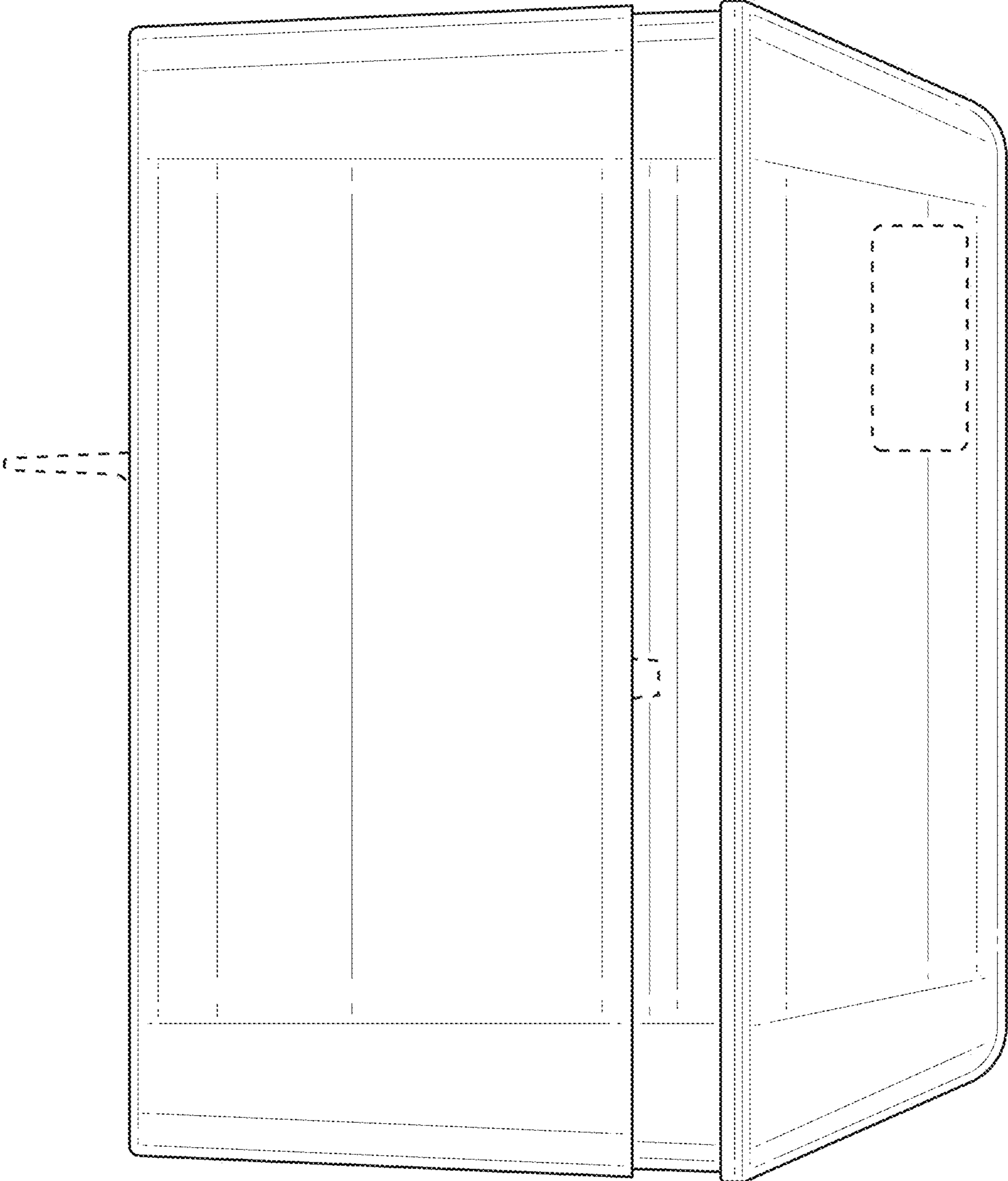


FIG. 4

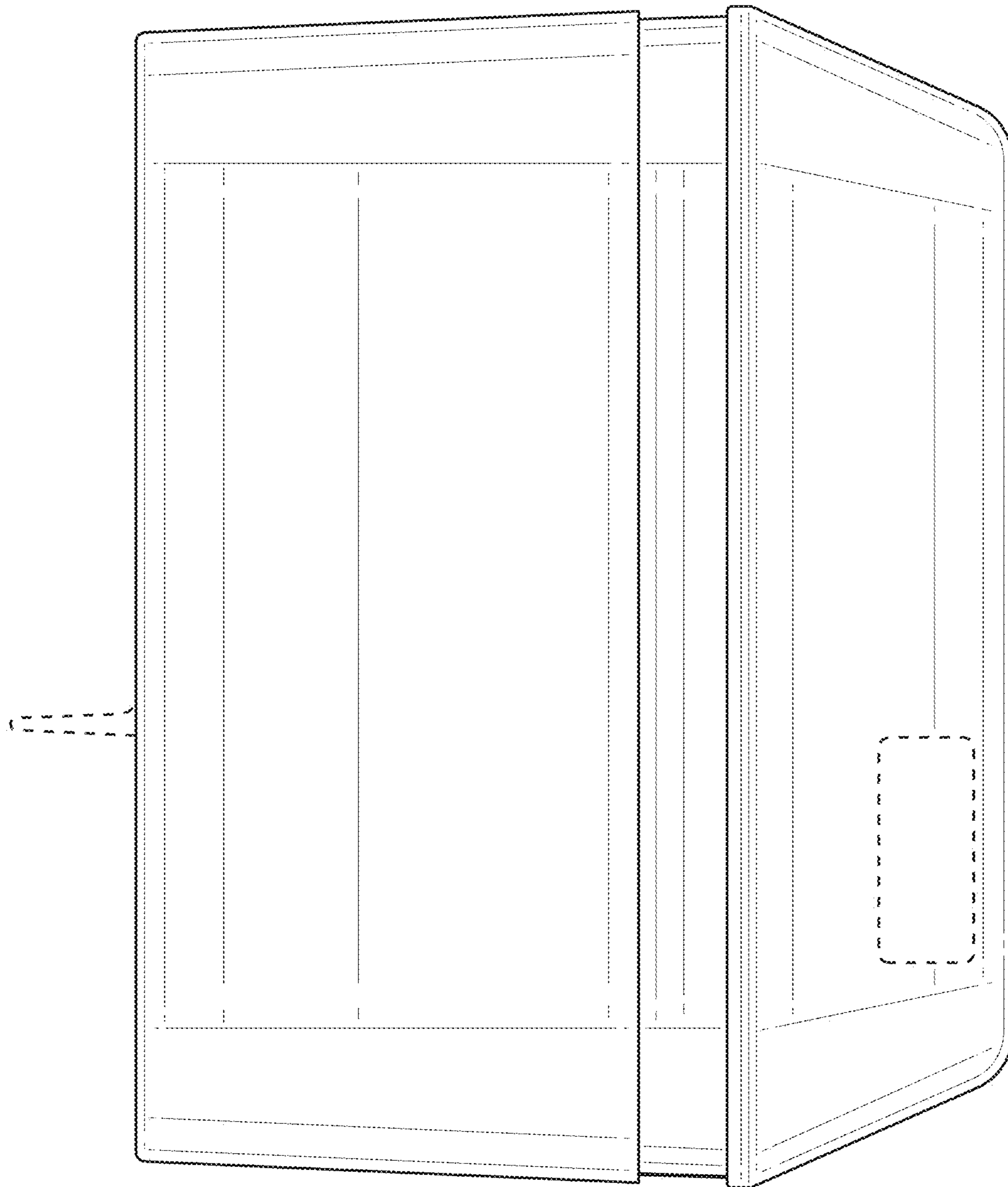


FIG. 5

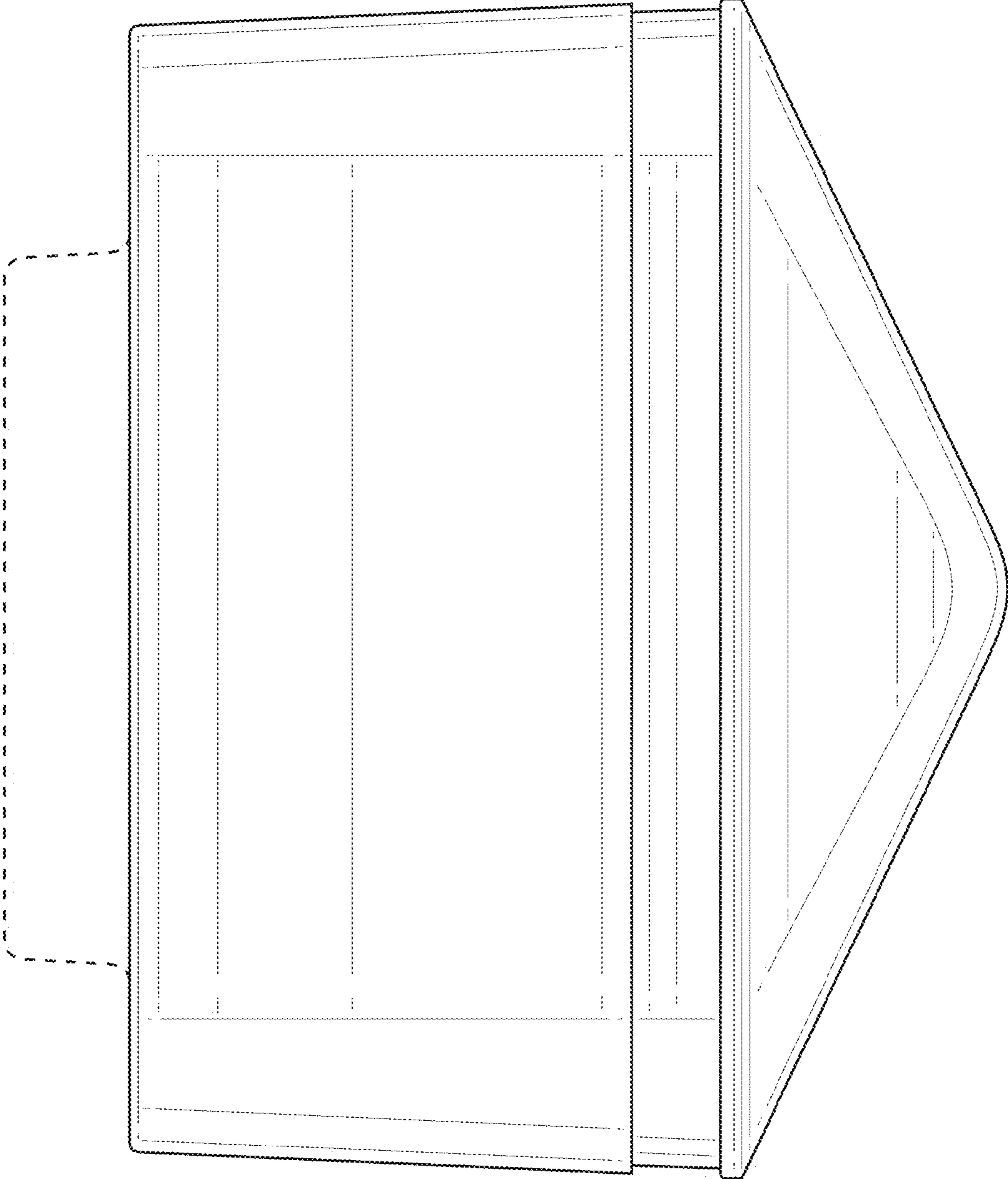


FIG. 6

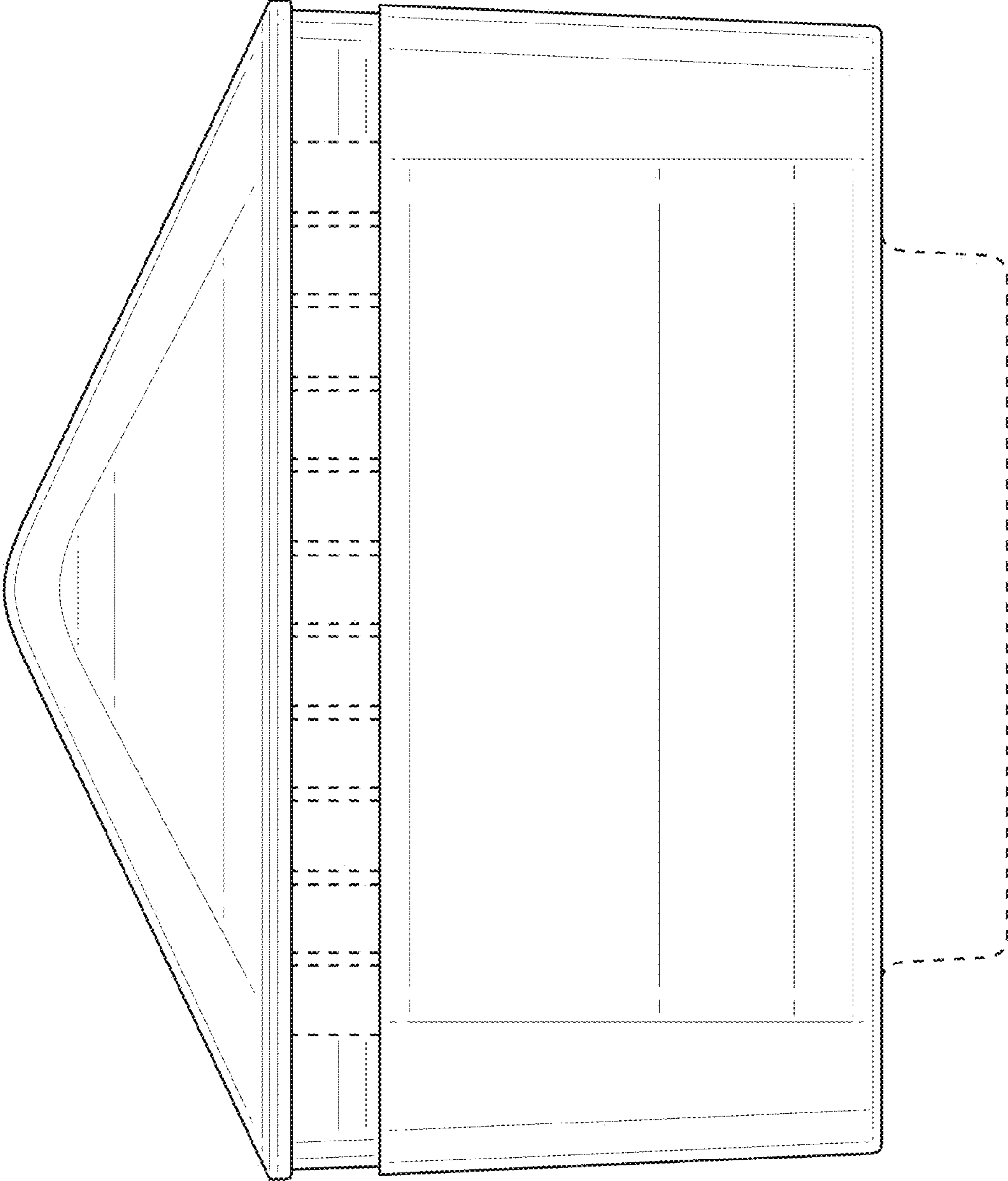


FIG. 7