



US00D916163S

(12) **United States Design Patent**
Bruno

(10) **Patent No.:** **US D916,163 S**
(45) **Date of Patent:** **** Apr. 13, 2021**

- (54) **CAMERA ENCLOSURE**
- (71) Applicant: **Seek Thermal, Inc.**, Santa Barbara, CA (US)
- (72) Inventor: **Robert H. Bruno**, Colchester, CT (US)
- (73) Assignee: **Seek Thermal, Inc.**, Goleta, CA (US)
- (**) Term: **15 Years**
- (21) Appl. No.: **29/655,961**
- (22) Filed: **Jul. 9, 2018**
- (51) **LOC (13) Cl.** **16-01**
- (52) **U.S. Cl.**
USPC **D16/200**
- (58) **Field of Classification Search**
USPC D16/200, 202, 208, 216, 217, 218, 219
CPC G03B 15/03; G03B 15/05; G03B 17/00;
G03B 17/02; G03B 17/08; G03B 17/16;
G03B 19/00; G03B 19/02; G03B 19/20;
G03B 19/22; H04N 5/2251; H04N 5/2252; H04N 5/2253; H04N 5/332;
H04N 5/33; H04N 7/18; H04N 7/183;
H04N 2005/2255; H02G 11/006; H02G 11/00; H02G 11/003; H02G 11/02; G02B 23/24;
G02B 23/2407; G02B 23/2469; G02B 23/2476; G02B 23/2484
See application file for complete search history.

(56) **References Cited**

U.S. PATENT DOCUMENTS

- D396,481 S * 7/1998 Shibata D16/202
- 5,782,353 A * 7/1998 Barclay G03B 17/02
206/316.2
- D474,218 S * 5/2003 Nagayama D16/202
- D556,806 S * 12/2007 Horikiri D16/202
- D574,029 S * 7/2008 Yamagishi D16/202
- D605,675 S * 12/2009 Sakaguchi D16/202
- D611,978 S * 3/2010 Kwon D16/202

- D681,712 S * 5/2013 Kim D16/202
- D681,713 S * 5/2013 Kim D16/202
- D682,334 S * 5/2013 InShik D16/202
- D688,719 S * 8/2013 Imai D16/202
- D689,914 S * 9/2013 Uemachi D16/202
- D694,302 S * 11/2013 Lee D16/202
- D711,956 S * 8/2014 Adams D16/208
- D712,949 S * 9/2014 Kwon D16/202
- D728,652 S * 5/2015 Hayashi D16/202
- D730,964 S * 6/2015 Jang D16/202
- D733,206 S * 6/2015 Lee D16/202
- D734,803 S * 7/2015 Hallgren D16/202
- D736,291 S * 8/2015 Chai D16/202
- D736,844 S * 8/2015 Jang D16/202
- D740,340 S * 10/2015 Lee D16/202
- D745,906 S * 12/2015 Lee D16/202
- D764,560 S * 8/2016 Jang D16/202

(Continued)

Primary Examiner — Sandra Snapp

Assistant Examiner — Ieisha N Price

(74) *Attorney, Agent, or Firm* — Knobbe Martens Olson & Bear LLP

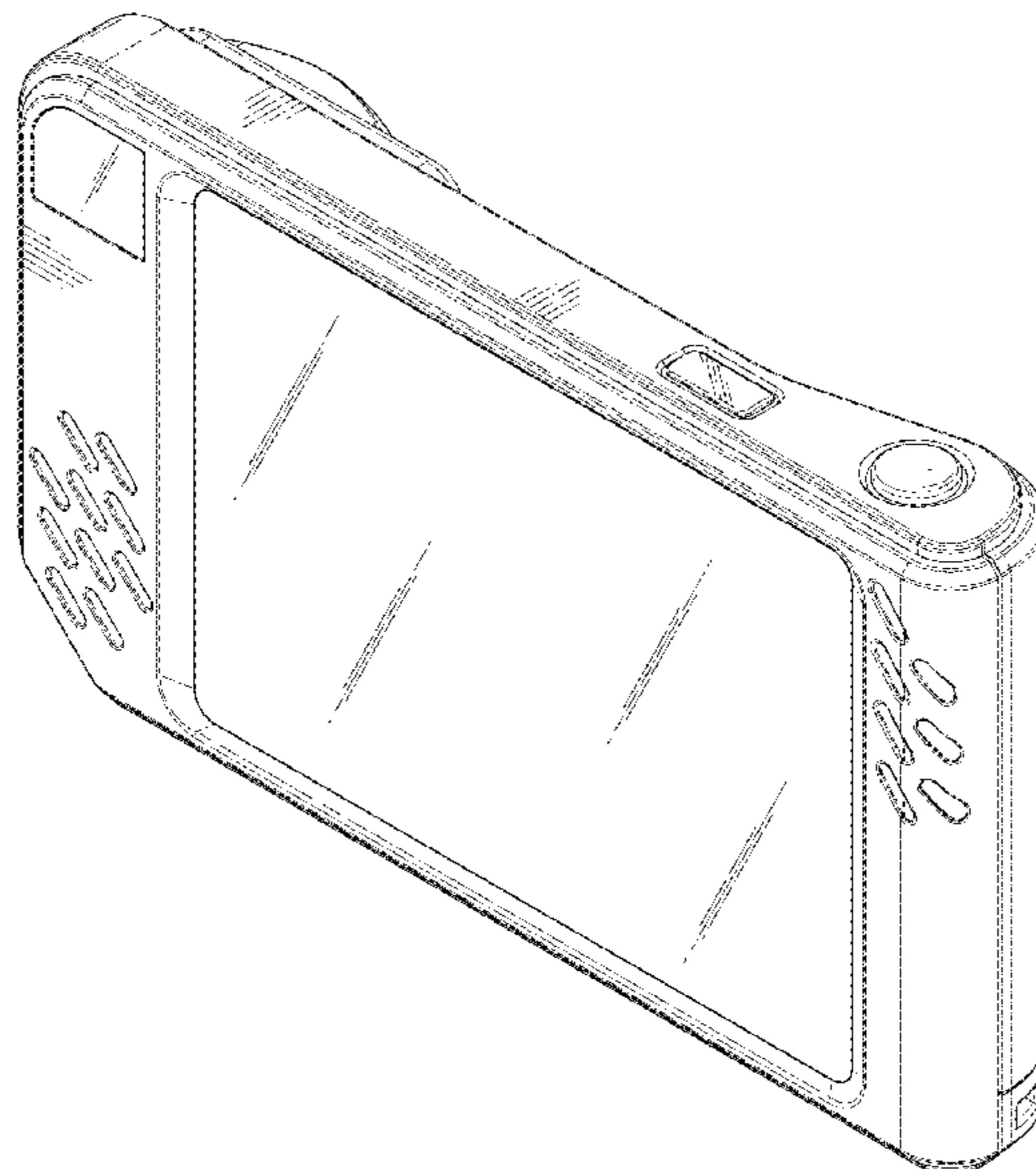
(57) **CLAIM**

The ornamental design for a camera enclosure, as shown and described.

DESCRIPTION

FIG. 1 is an upper left rear isometric view of a camera enclosure;
 FIG. 2 is a lower right front isometric view thereof;
 FIG. 3 is a front elevation view thereof;
 FIG. 4 is a rear elevation view thereof;
 FIG. 5 is a left side elevation view thereof;
 FIG. 6 is a right side elevation view thereof;
 FIG. 7 is a top plan view thereof; and,
 FIG. 8 is a bottom plan view thereof.
 The broken lines rendered in FIG. 8 of the drawings illustrate portions of the camera closure and form no part of the claimed design.

1 Claim, 6 Drawing Sheets



(56)

References Cited

U.S. PATENT DOCUMENTS

D813,288 S * 3/2018 Lebeau D16/200
D852,867 S * 7/2019 Chang D16/202
D864,273 S * 10/2019 von Fintel D16/202
2013/0135512 A1 * 5/2013 Kim H04N 5/2251
348/335
2014/0132832 A1 * 5/2014 Adams G06F 3/02
348/376
2019/0328238 A1 * 10/2019 Achilefu G06T 11/206
2020/0007797 A1 * 1/2020 Covington H04L 67/36

* cited by examiner

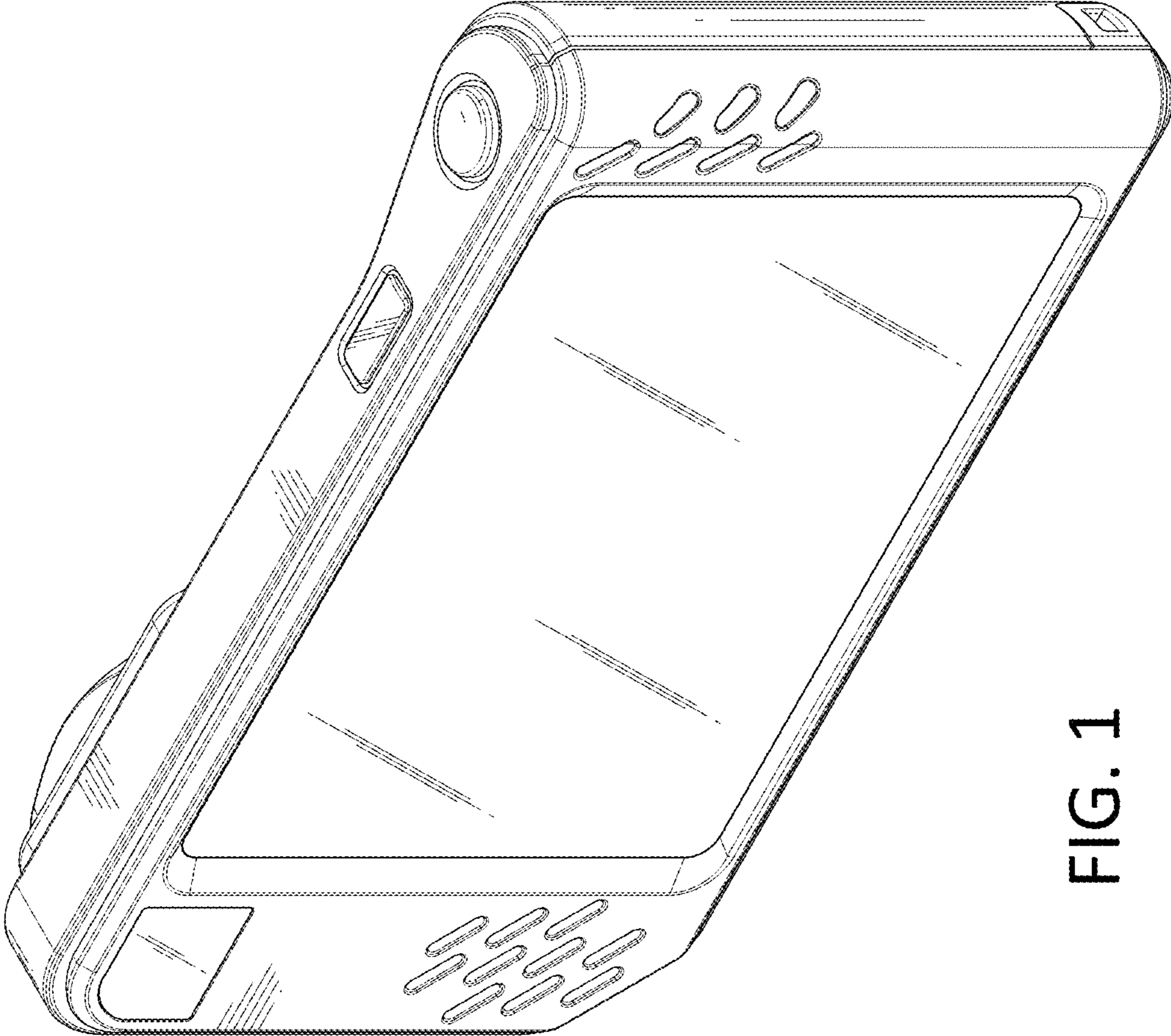


FIG. 1

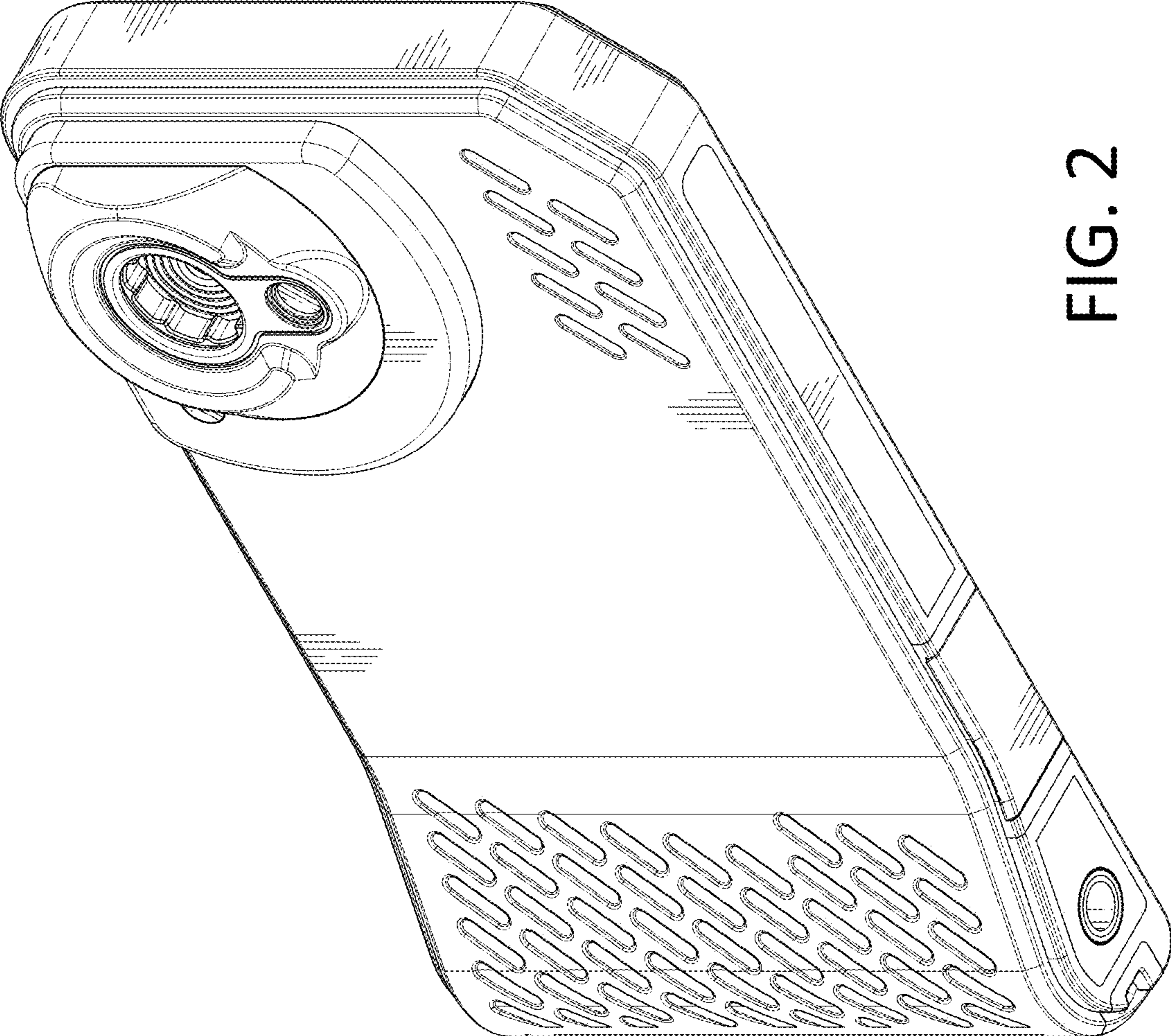


FIG. 2

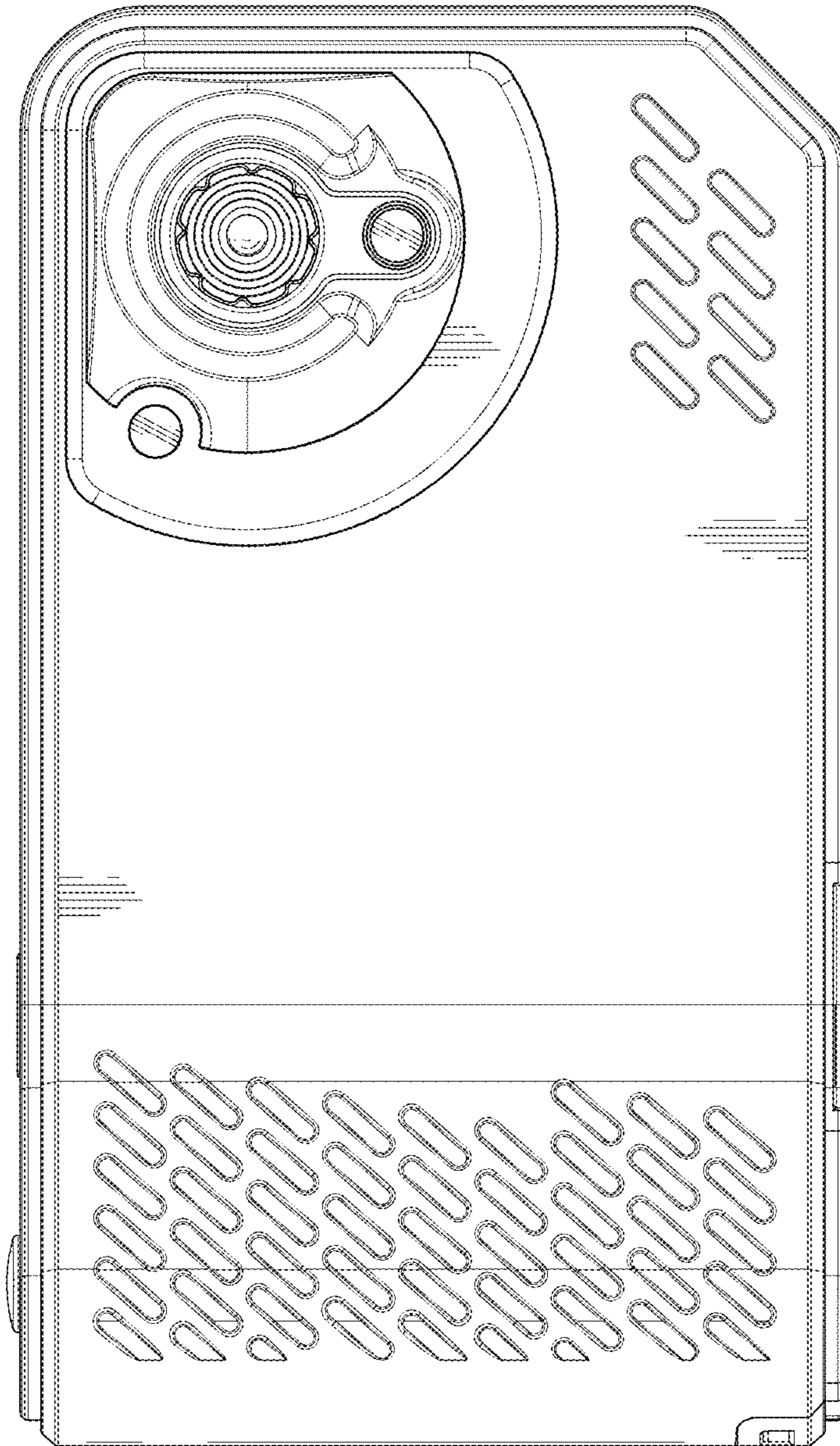


FIG. 3

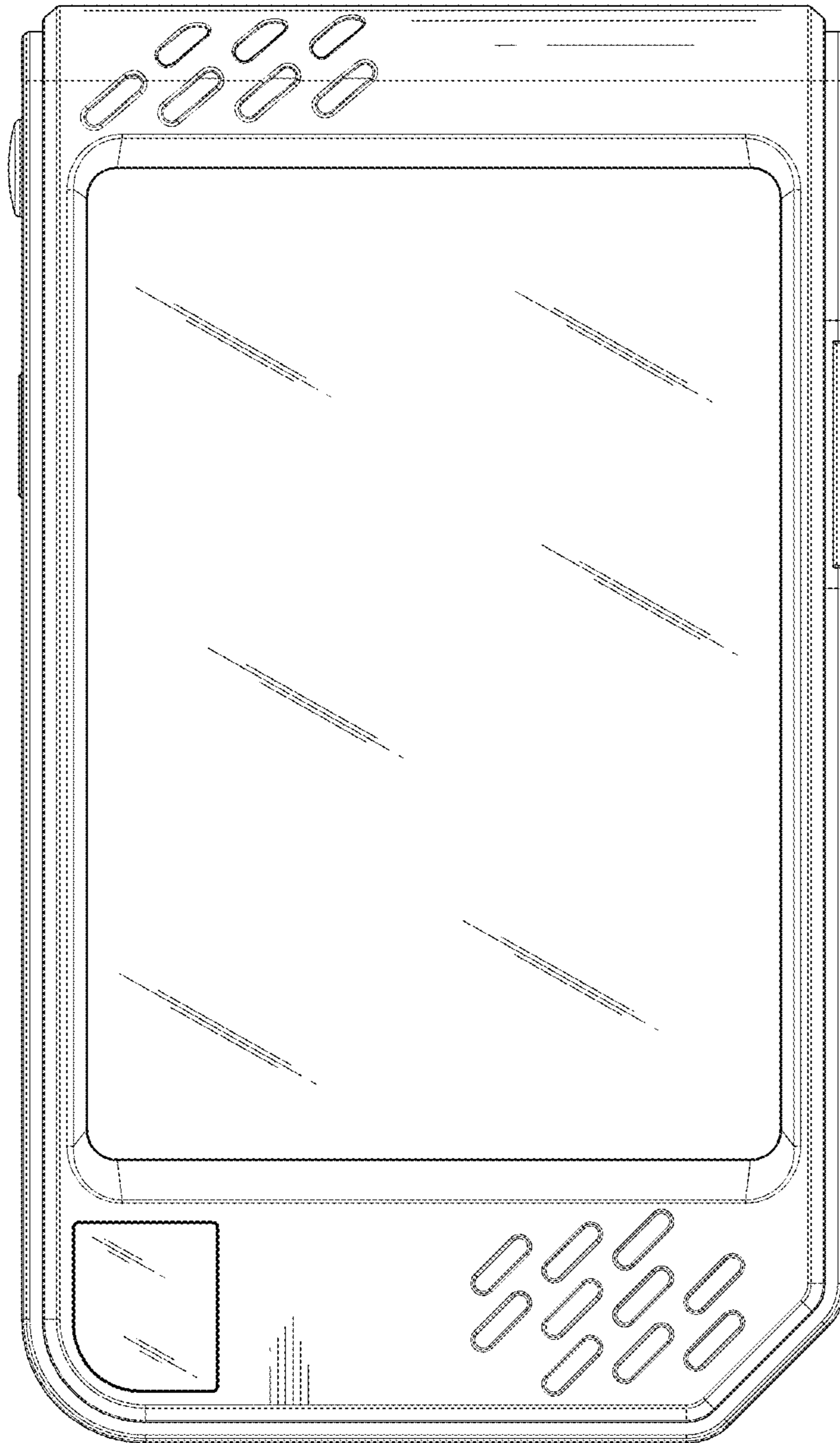


FIG. 4

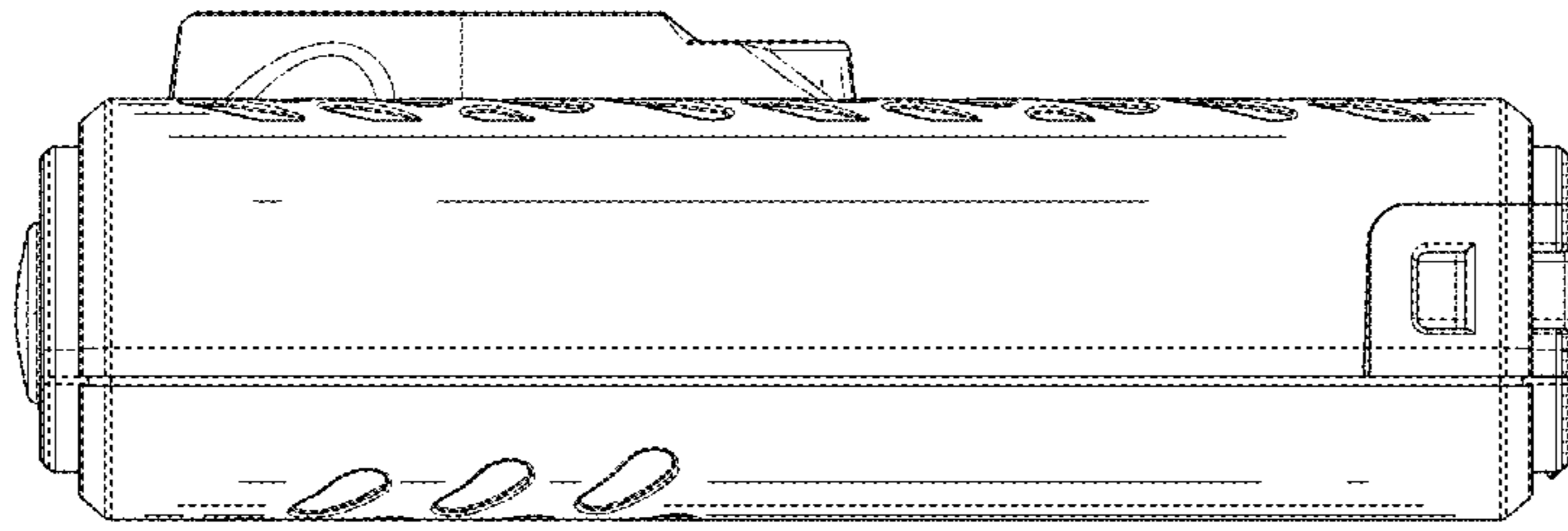


FIG. 6

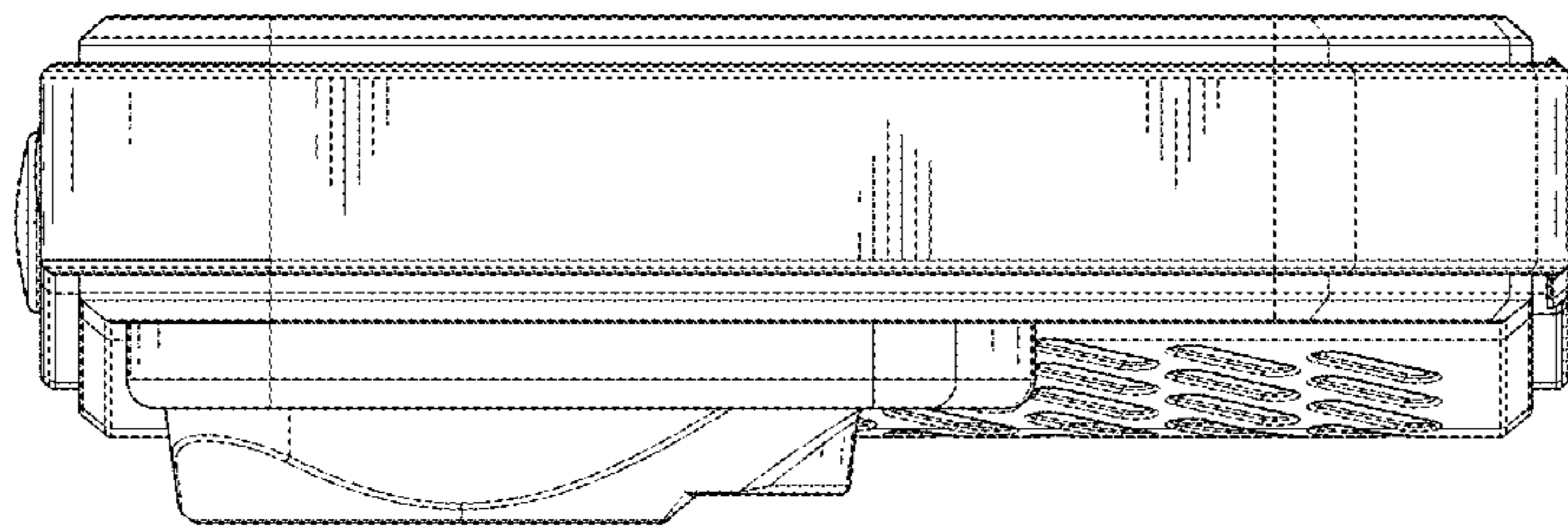


FIG. 5

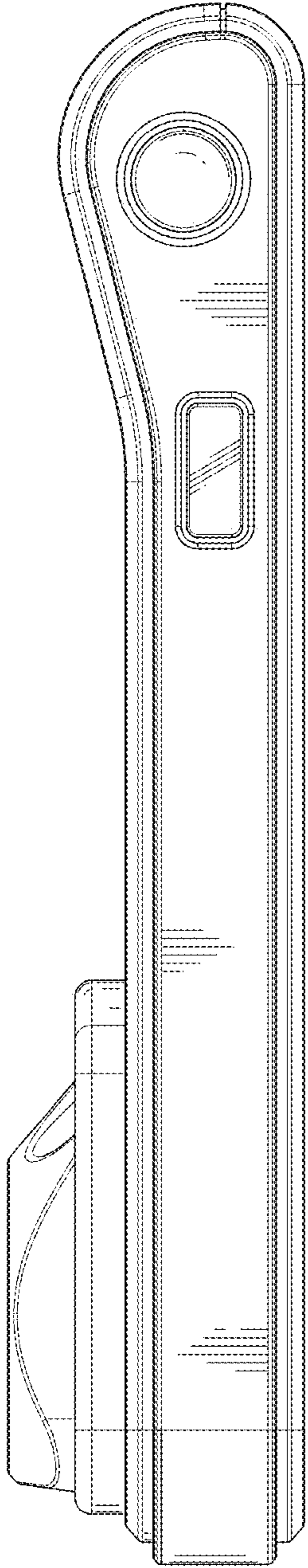


FIG. 7

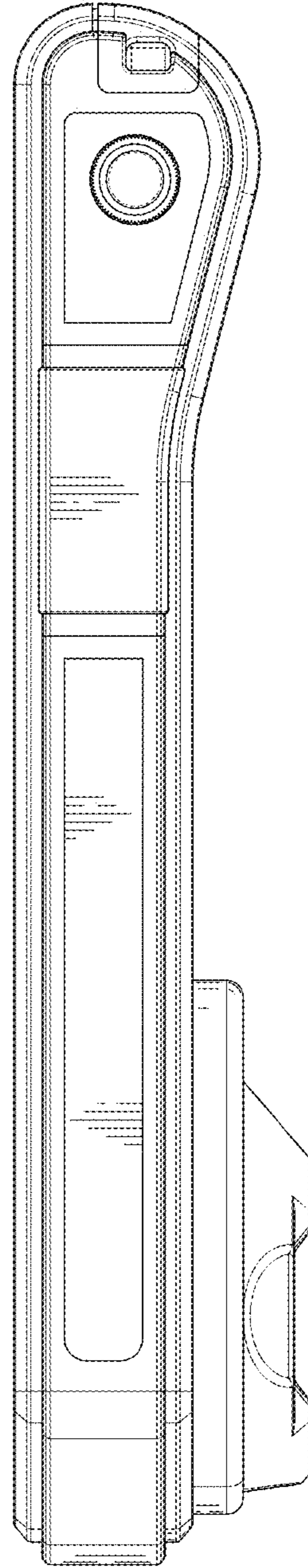


FIG. 8