



US00D916162S

(12) **United States Design Patent** (10) **Patent No.:** **US D916,162 S**
Sakai (45) **Date of Patent:** **** Apr. 13, 2021**

- (54) **BINOCULARS**
- (71) Applicant: **FUJIFILM Corporation**, Tokyo (JP)
- (72) Inventor: **Hiroyuki Sakai**, Saitama (JP)
- (73) Assignee: **FUJIFILM Corporation**, Tokyo (JP)
- (**) Term: **15 Years**
- (21) Appl. No.: **29/679,261**
- (22) Filed: **Feb. 4, 2019**

- D241,166 S * 8/1976 Huckenbeck D16/133
- D241,271 S * 8/1976 Huckenbeck D16/133
- D241,371 S * 9/1976 Huckenbeck D16/133
- D241,680 S * 9/1976 Huckenbeck D16/133
- D241,978 S * 10/1976 Huckenbeck D16/133
- D306,606 S 3/1990 Yamanaka
- D360,215 S 7/1995 Moro
- D364,631 S 11/1995 Hamamura
- D375,106 S 10/1996 Matsuda
- D376,167 S 12/1996 Hayamizu
- D418,850 S 1/2000 Lee
- D421,997 S 3/2000 Kawahata
- D424,590 S 5/2000 Hashimoto
- D427,220 S 6/2000 Lee
- D428,031 S 7/2000 Inaba
- D430,586 S 9/2000 Inaba
- D457,541 S 5/2002 Hayashi
- D473,247 S 4/2003 Koinuma

Related U.S. Application Data

- (62) Division of application No. 29/552,299, filed on Jan. 21, 2016, now Pat. No. Des. 846,014.

Foreign Application Priority Data

- (30) Jul. 22, 2015 (JP) 2015-016381
- Sep. 28, 2015 (JP) 2015-021228

- (51) **LOC (13) Cl.** **16-06**

- (52) **U.S. Cl.**
USPC **D16/133**

- (58) **Field of Classification Search**
USPC D3/136; D16/130, 132, 133, 136;
D21/483; D27/102, 117
CPC G02B 2027/0123; G02B 2027/0132; G02B
7/06; G02B 7/12; G02B 23/00; G02B
23/16; G02B 2027/0134; G02B 27/26;
G02B 23/18
See application file for complete search history.

References Cited

U.S. PATENT DOCUMENTS

- 2,882,791 A 4/1959 Möller
- D240,860 S * 8/1976 Huckenbeck D16/133
- D241,165 S * 8/1976 Huckenbeck D16/133

(Continued)

Primary Examiner — Garth Rademaker

Assistant Examiner — Benjamin M Weeks

(74) *Attorney, Agent, or Firm* — Sughrue Mion, PLLC

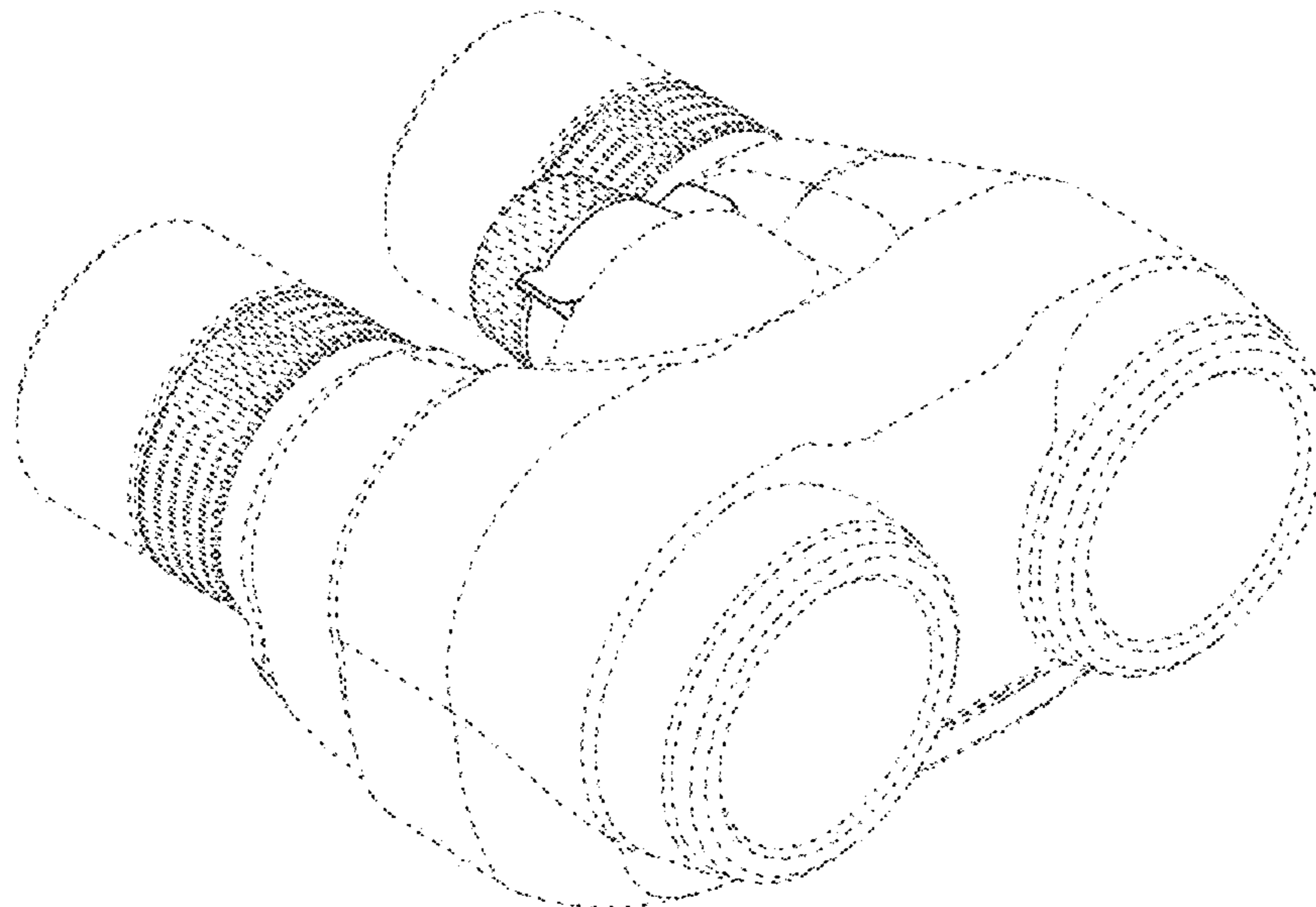
(57) **CLAIM**

The ornamental design for binoculars, as shown and described.

DESCRIPTION

FIG. 1 is a perspective view of the binoculars, viewed from above and to the left of a front side thereof;
 FIG. 2 is a perspective view of the binoculars, viewed from above and to the right of the front side;
 FIG. 3 is a front view thereof;
 FIG. 4 is a rear view thereof;
 FIG. 5 is a top view thereof;
 FIG. 6 is a bottom view thereof;
 FIG. 7 is a right side view thereof; and,
 FIG. 8 is a left side view thereof.
 The broken lines show portions of the binoculars that are not being claimed, and thus form no part of the claimed design.

1 Claim, 8 Drawing Sheets



(56)

References Cited

U.S. PATENT DOCUMENTS

D502,718 S	3/2005	Matsushita	
D508,253 S	8/2005	Hayamizu	
D508,706 S	8/2005	Hayamizu	
D522,033 S	5/2006	Kitera	
D523,885 S	6/2006	Hayashi	
D590,857 S	4/2009	Fujii	
D662,118 S	6/2012	Soejima	
D687,081 S	7/2013	Radau	
D700,228 S *	2/2014	O'Neill	D16/134
D718,800 S *	12/2014	Muraca	D16/136
D723,600 S *	3/2015	Nauli	D16/131
D723,601 S *	3/2015	O'Neill	D16/134
D816,749 S *	5/2018	Kung	D16/133

* cited by examiner

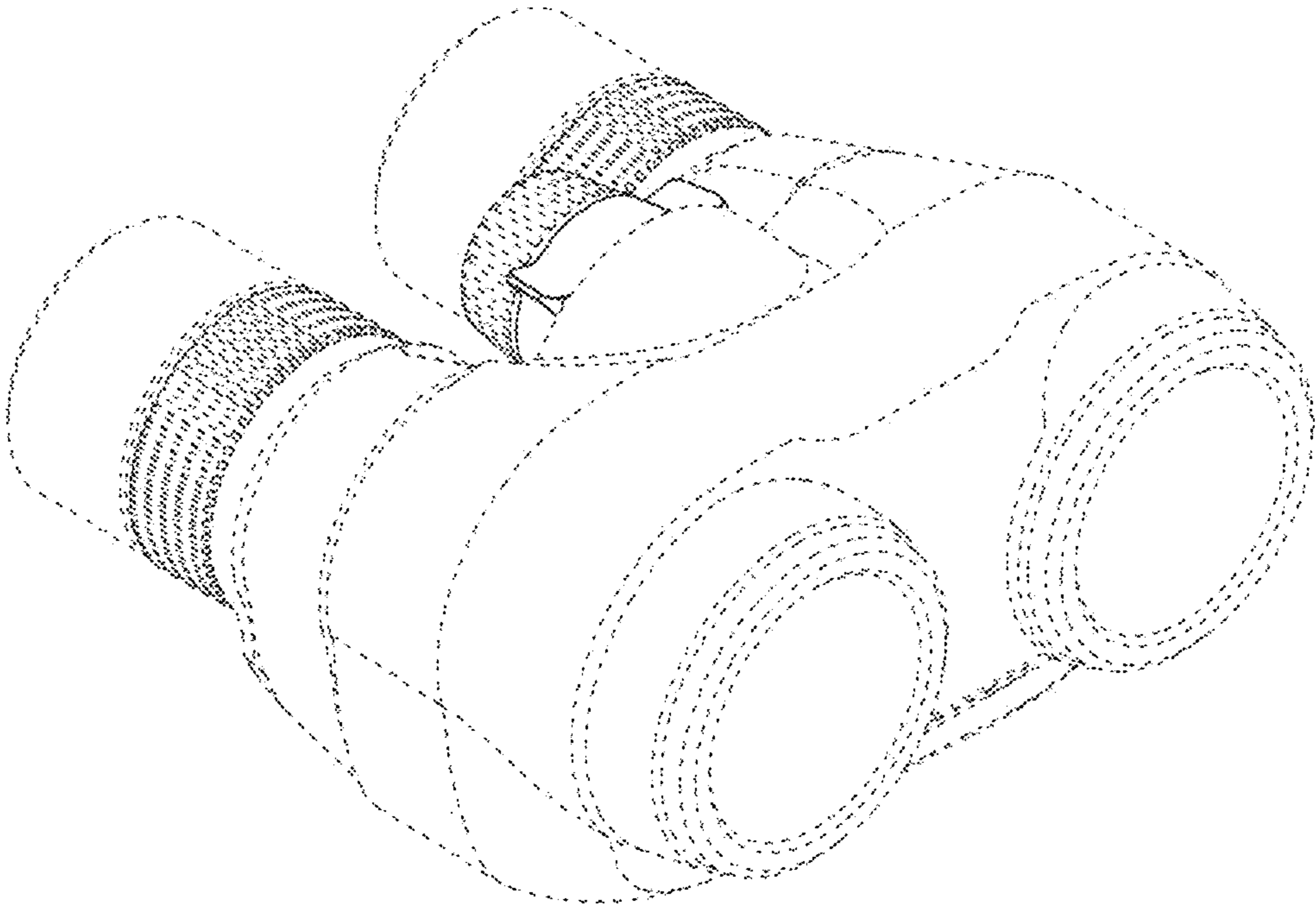


FIG. 1

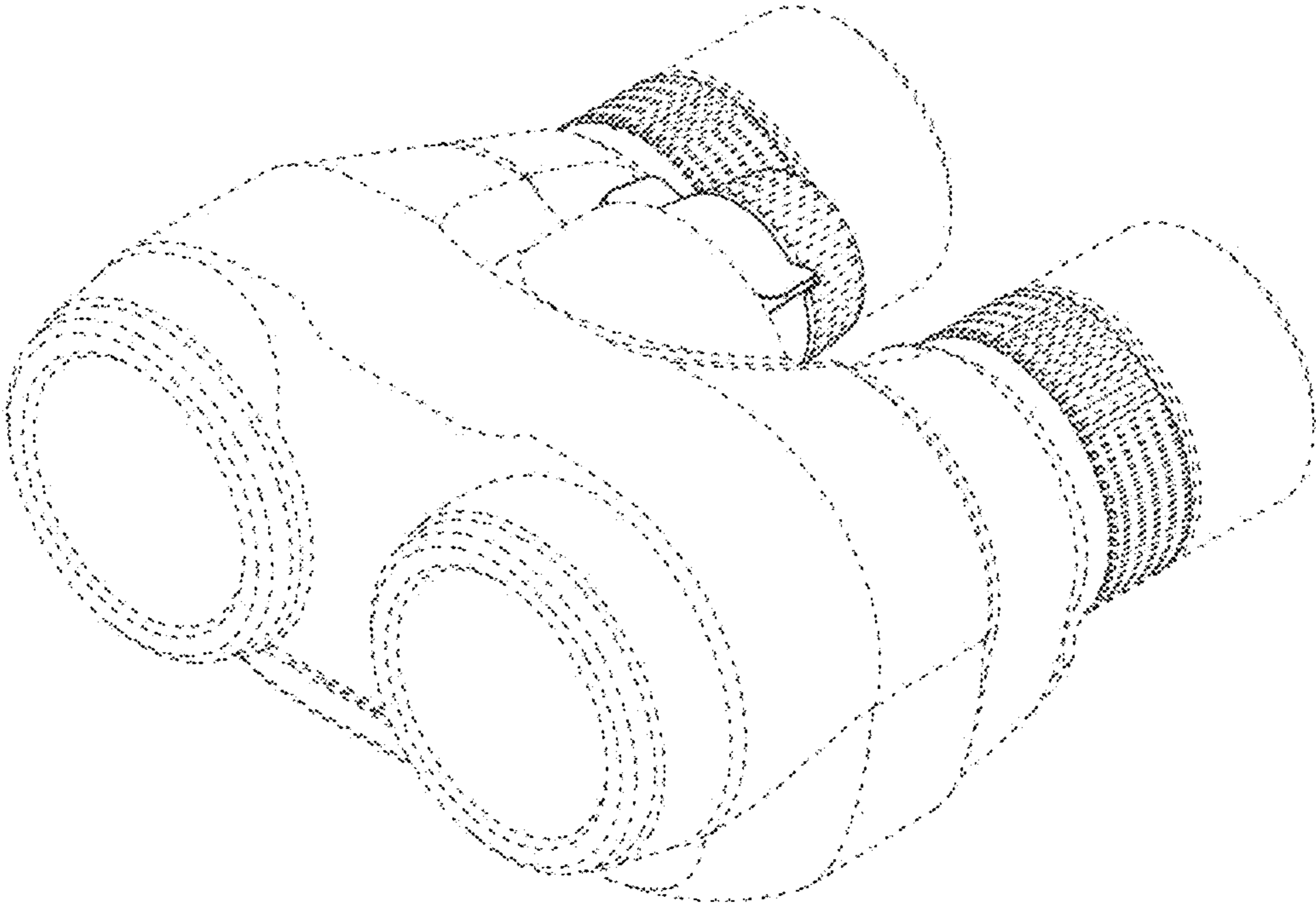


FIG. 2

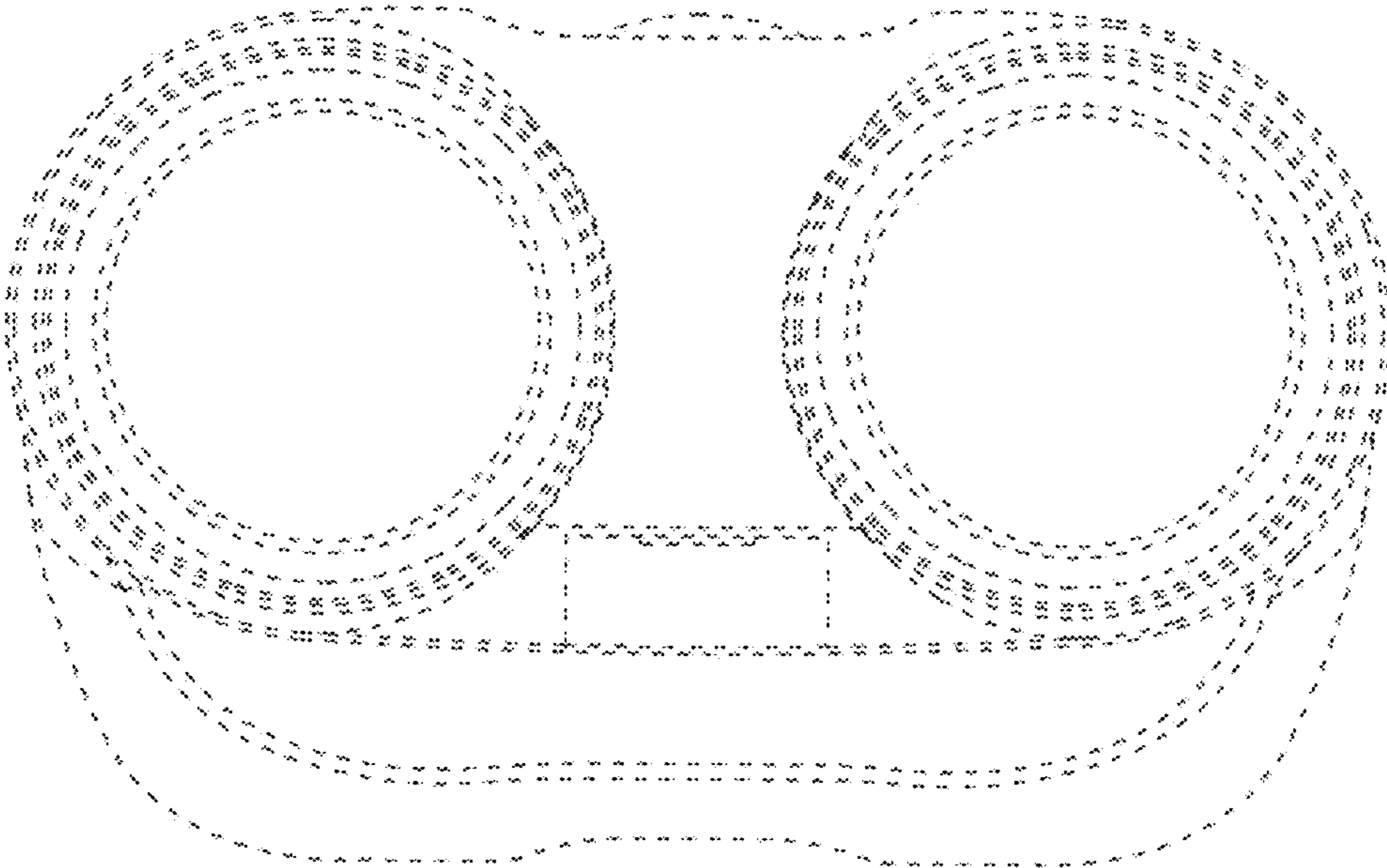


FIG. 3

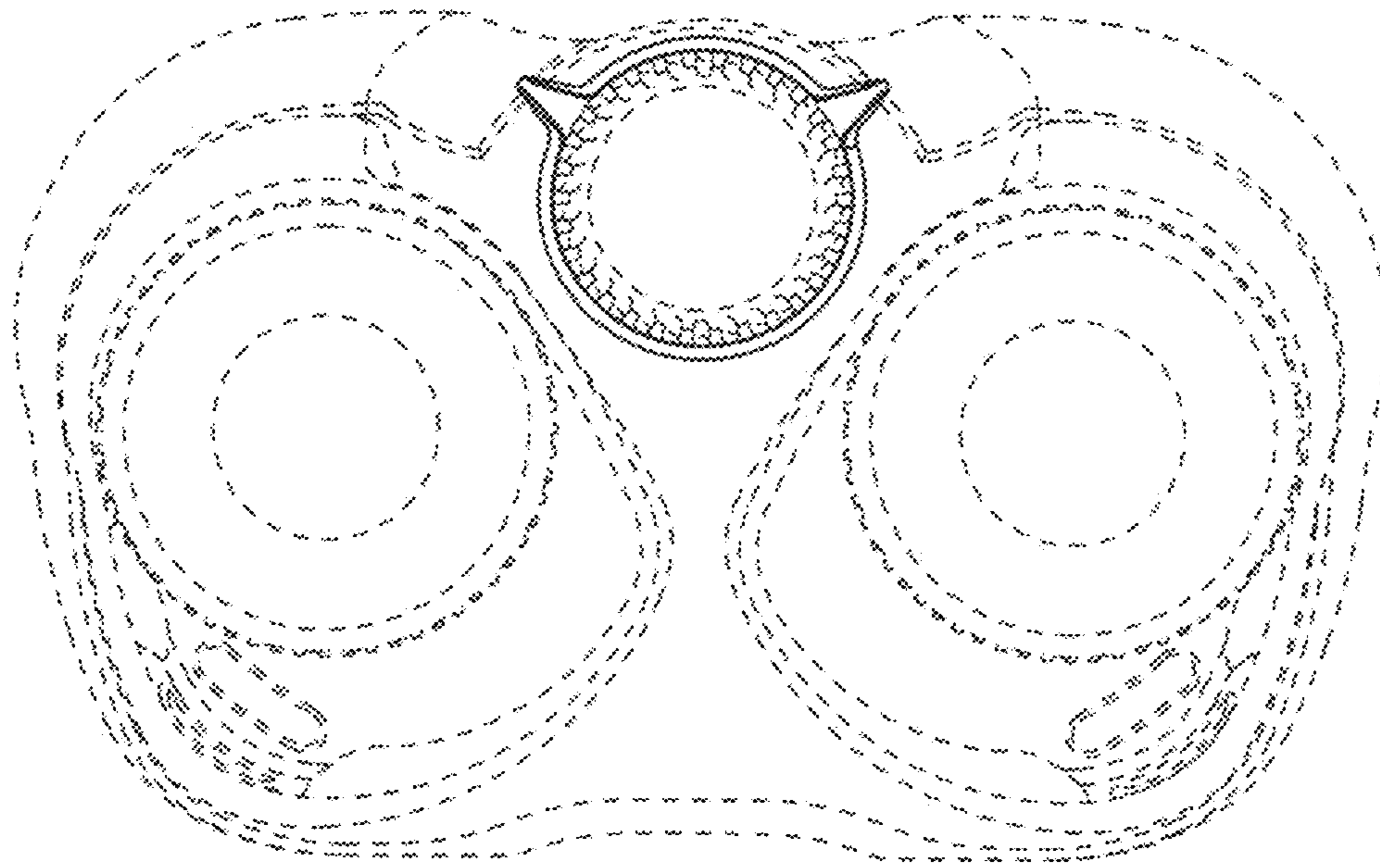


FIG. 4

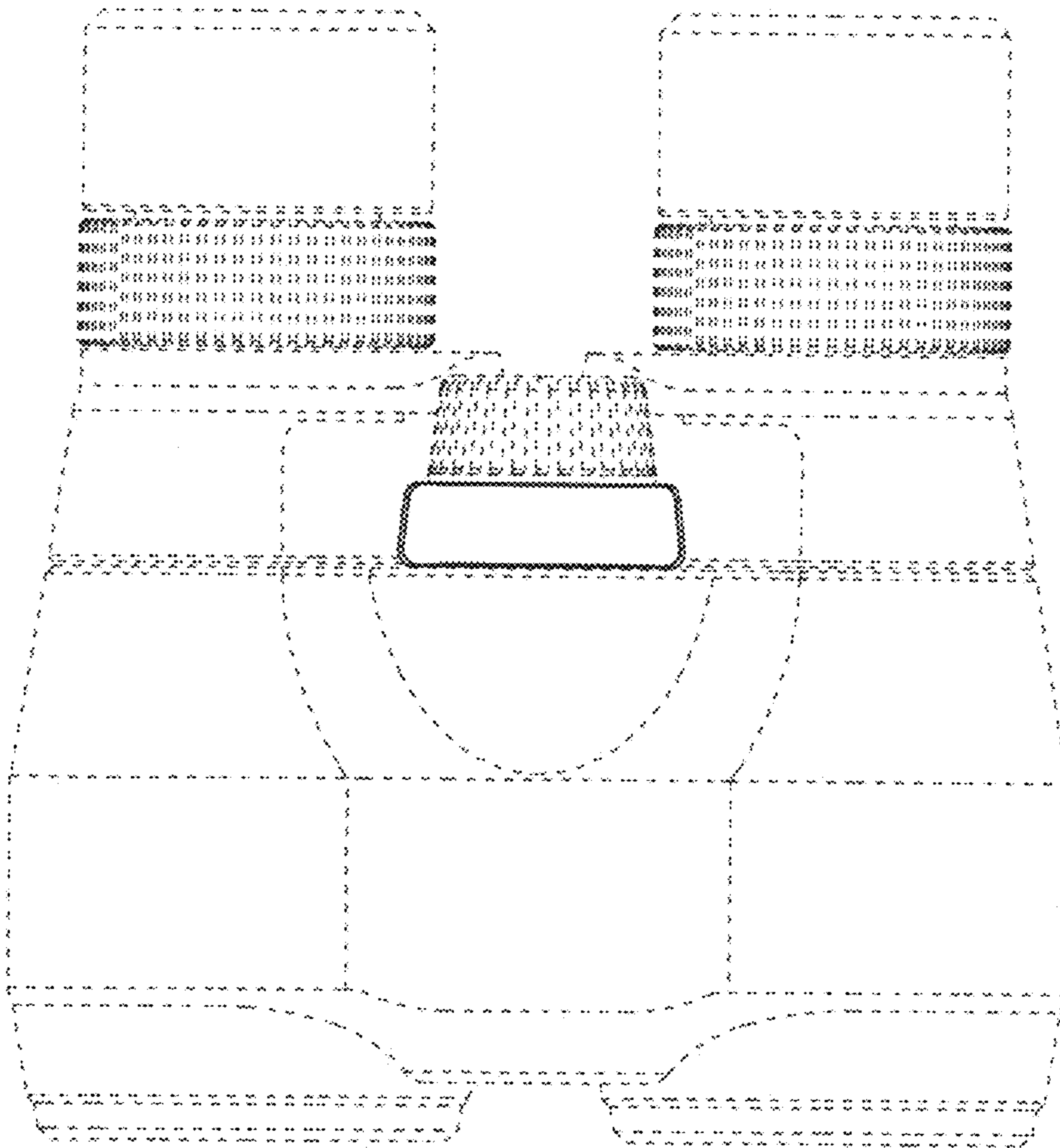


FIG. 5

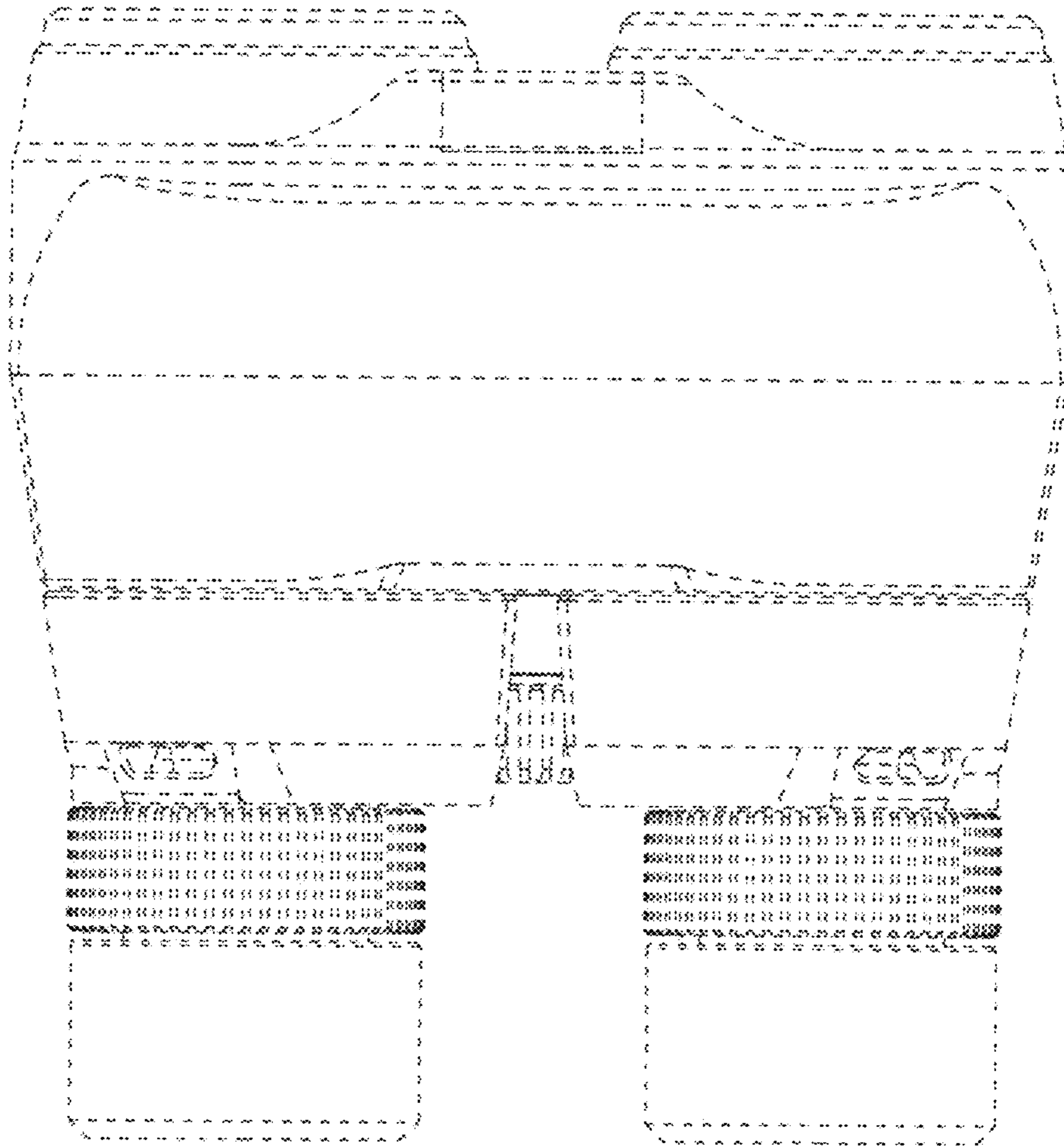


FIG. 6

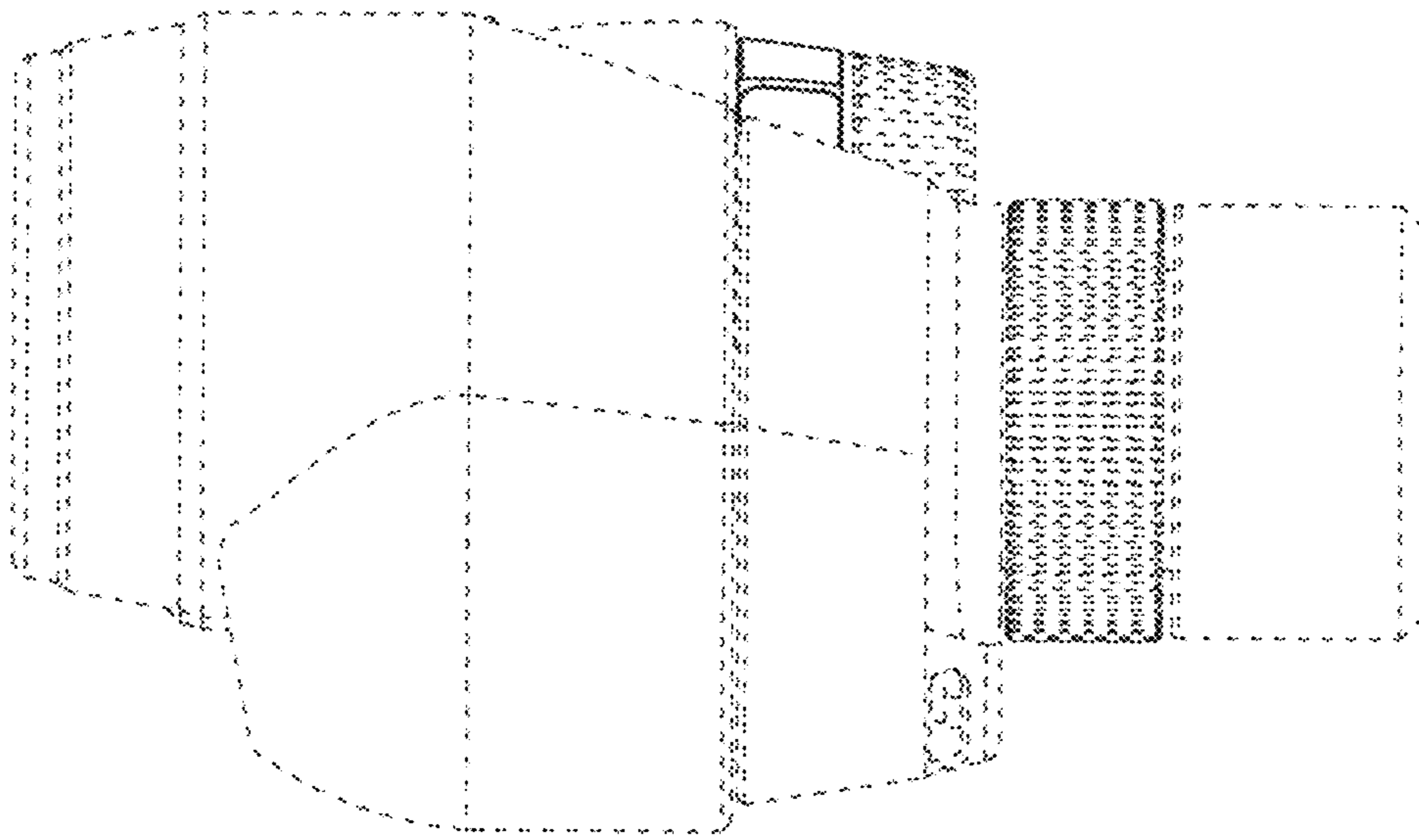


FIG. 7

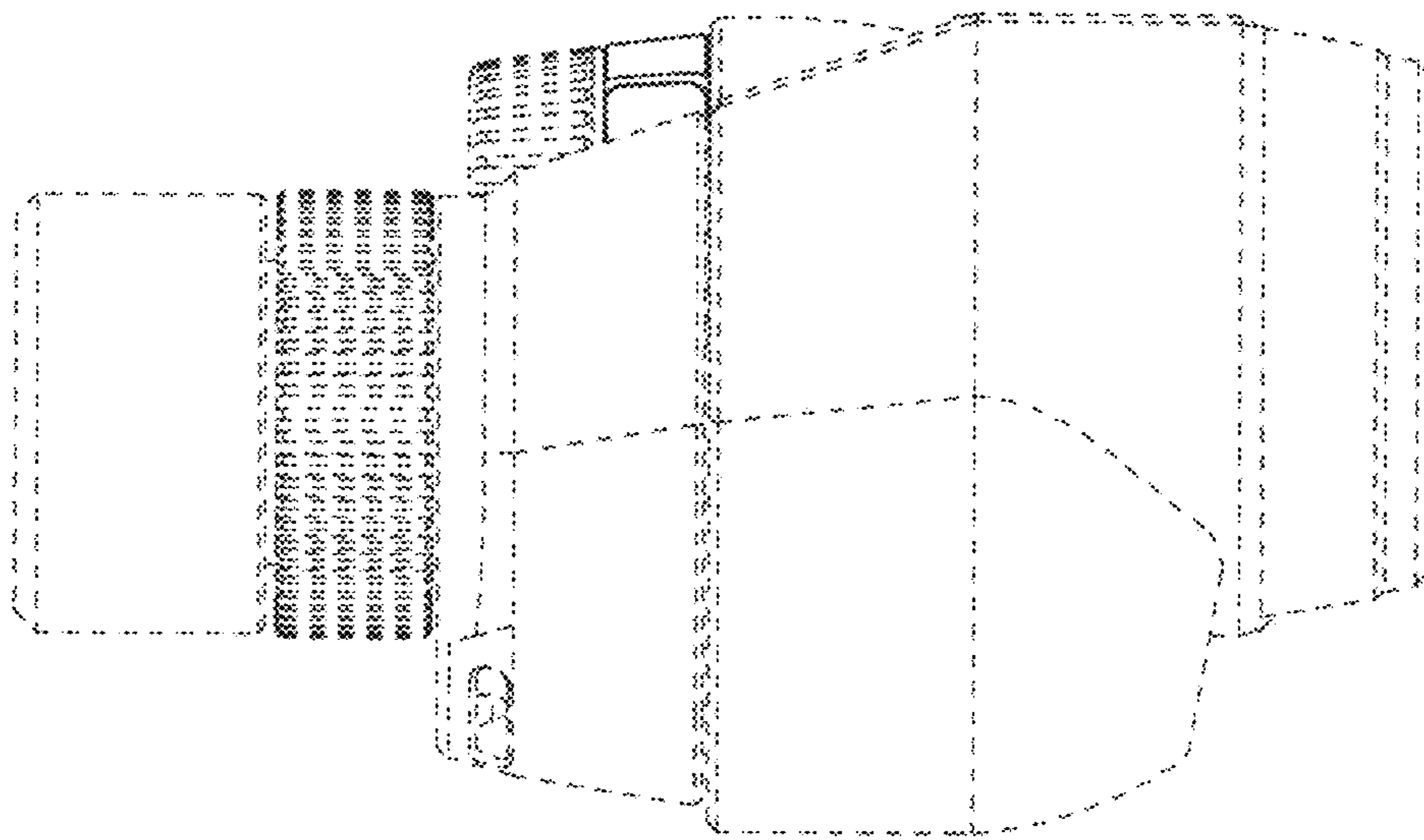


FIG. 8