



US00D916159S

(12) **United States Design Patent** (10) **Patent No.:** **US D916,159 S**
Dalla Costa et al. (45) **Date of Patent:** **** Apr. 13, 2021**

(54) **REDUCTION GEAR**
 (71) Applicant: **AMER S.P.A.**, Valdagno (IT)
 (72) Inventors: **Mirko Dalla Costa**, Schio (IT);
Francesco Battistella, Valdagno (IT)
 (73) Assignee: **AMER S.P.A.**, Valdagno (IT)
 (**) Term: **15 Years**

D382,573 S	8/1997	Avitan
6,073,517 A	6/2000	Pauwels
7,465,248 B2	12/2008	Katoh
D598,938 S	8/2009	Mijo
D682,902 S	5/2013	Tanaka
9,103,967 B2	8/2015	Likawa
D753,743 S	4/2016	Takahashi
D753,744 S	4/2016	Takahashi
D797,828 S	9/2017	Nakamura
D904,478 S *	12/2020	Costa et al. F16H 31/10 D15/149

(21) Appl. No.: **29/752,268**
 (22) Filed: **Sep. 25, 2020**

FOREIGN PATENT DOCUMENTS

JP	2004324878 A	11/2004
JP	2007040396 A	2/2007
JP	2007170547 A	7/2007
JP	2011141035 A	7/2011

* cited by examiner

Primary Examiner — Richard E Chilcot
 (74) *Attorney, Agent, or Firm* — Workman Nydegger

Related U.S. Application Data

(62) Division of application No. 35/507,670, filed on Apr. 11, 2019 (U.S. filing date under 35 U.S.C. 384), and having an international filing date of Apr. 11, 2019, now Pat. No. Des. 904,478.
 (51) **LOC (13) Cl.** **15-01**
 (52) **U.S. Cl.**
 USPC **D15/149**
 CPC **F16H 35/10** (2013.01)
 (58) **Field of Classification Search**
 USPC D15/148, 149; D8/17, 21, 25, 29
 CPC F16H 35/10
 See application file for complete search history.

(57) **CLAIM**

The ornamental design for a reduction gear, as shown and described.

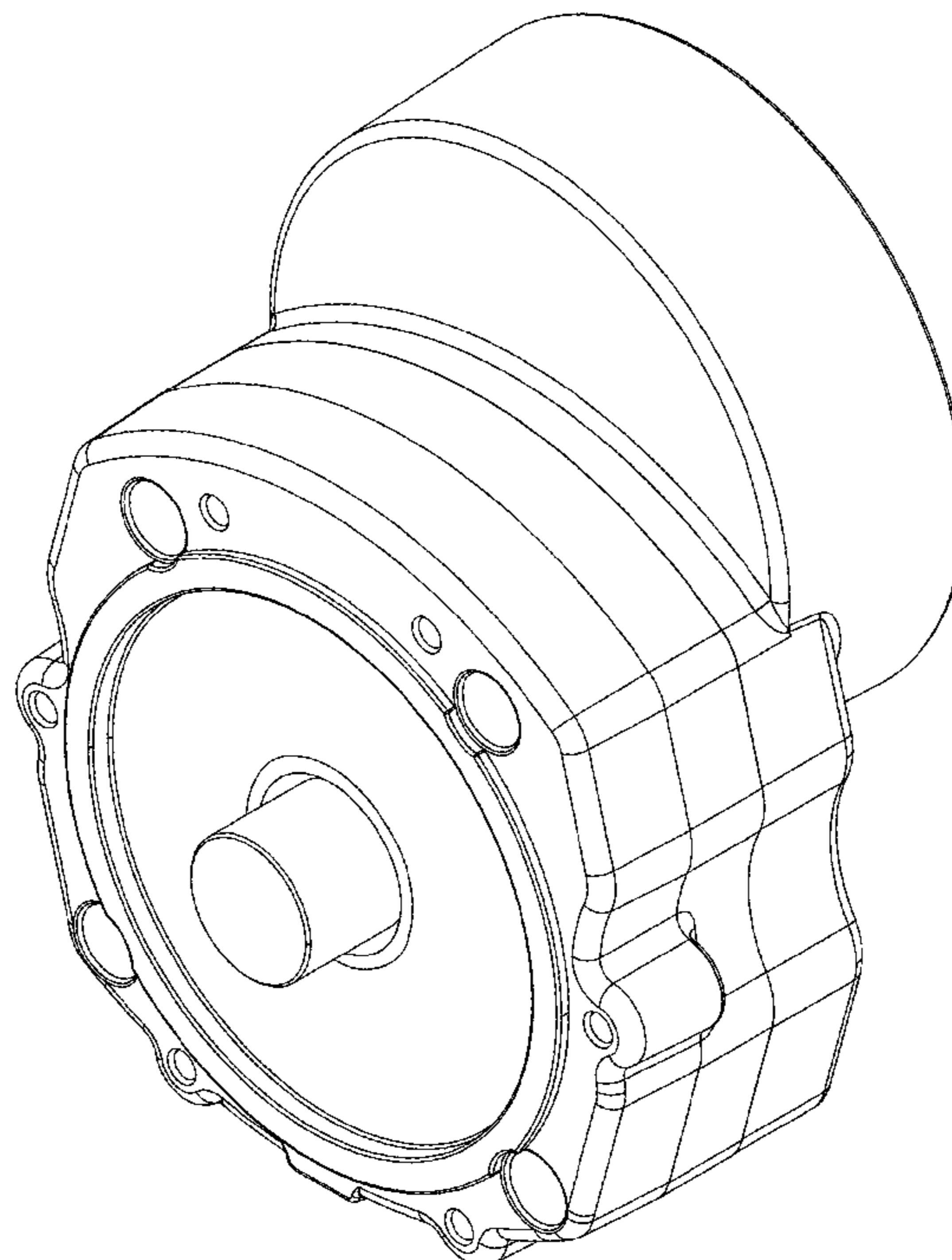
DESCRIPTION

FIG. 1 is a front perspective view of a reduction gear showing our new design;
 FIG. 2 is a front elevational view thereof;
 FIG. 3 is a rear elevational view thereof;
 FIG. 4 is a right side elevational view thereof;
 FIG. 5 is a left side elevational view thereof;
 FIG. 6 is a top plan view thereof; and,
 FIG. 7 is a bottom plan view thereof.

1 Claim, 7 Drawing Sheets

(56) **References Cited**
 U.S. PATENT DOCUMENTS

D202,930 S	11/1965	Belezos
D205,312 S	7/1966	Mustgrave
3,299,741 A	1/1967	Twiford
D292,804 S	11/1987	Edward



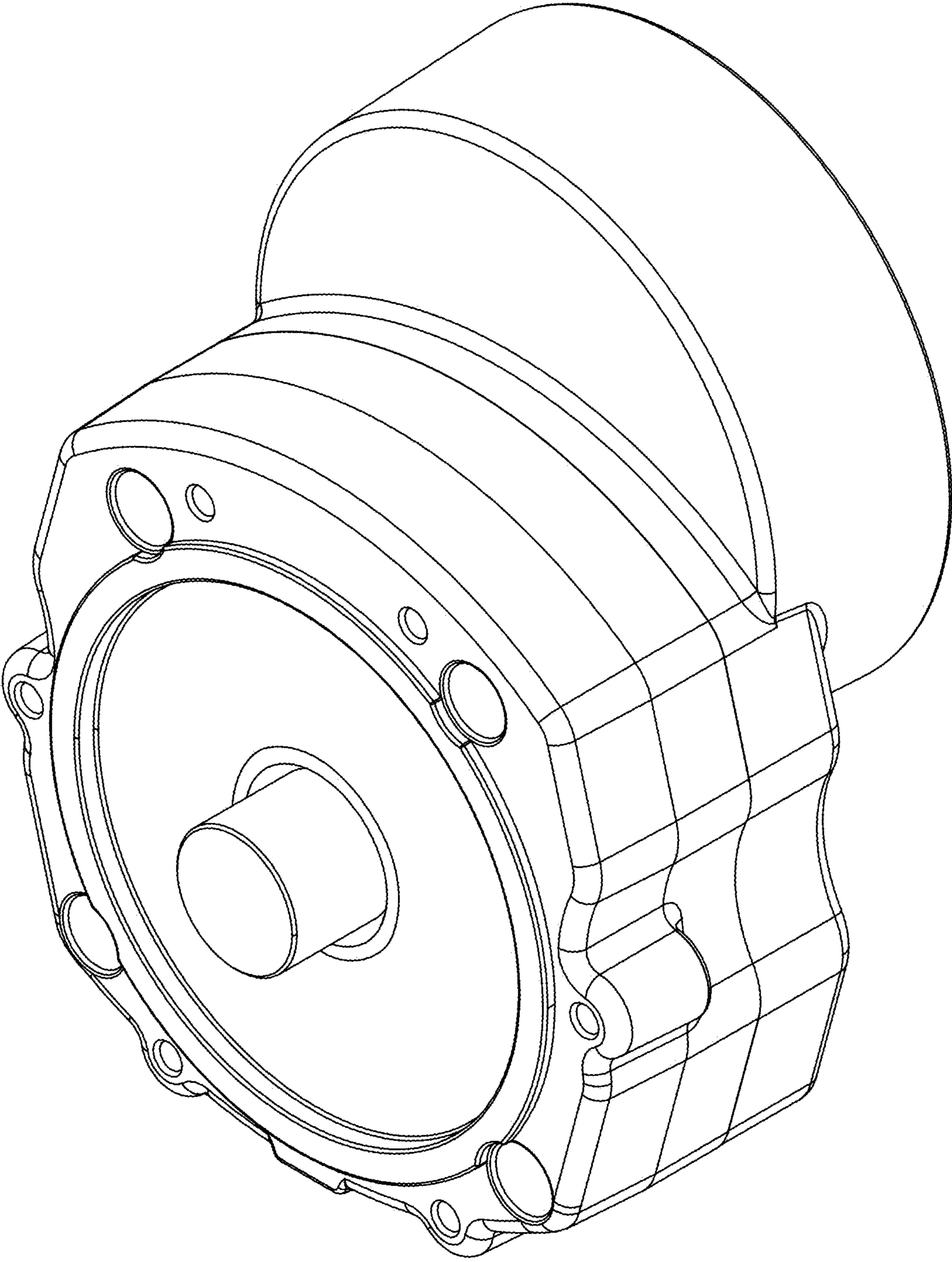


FIG. 1

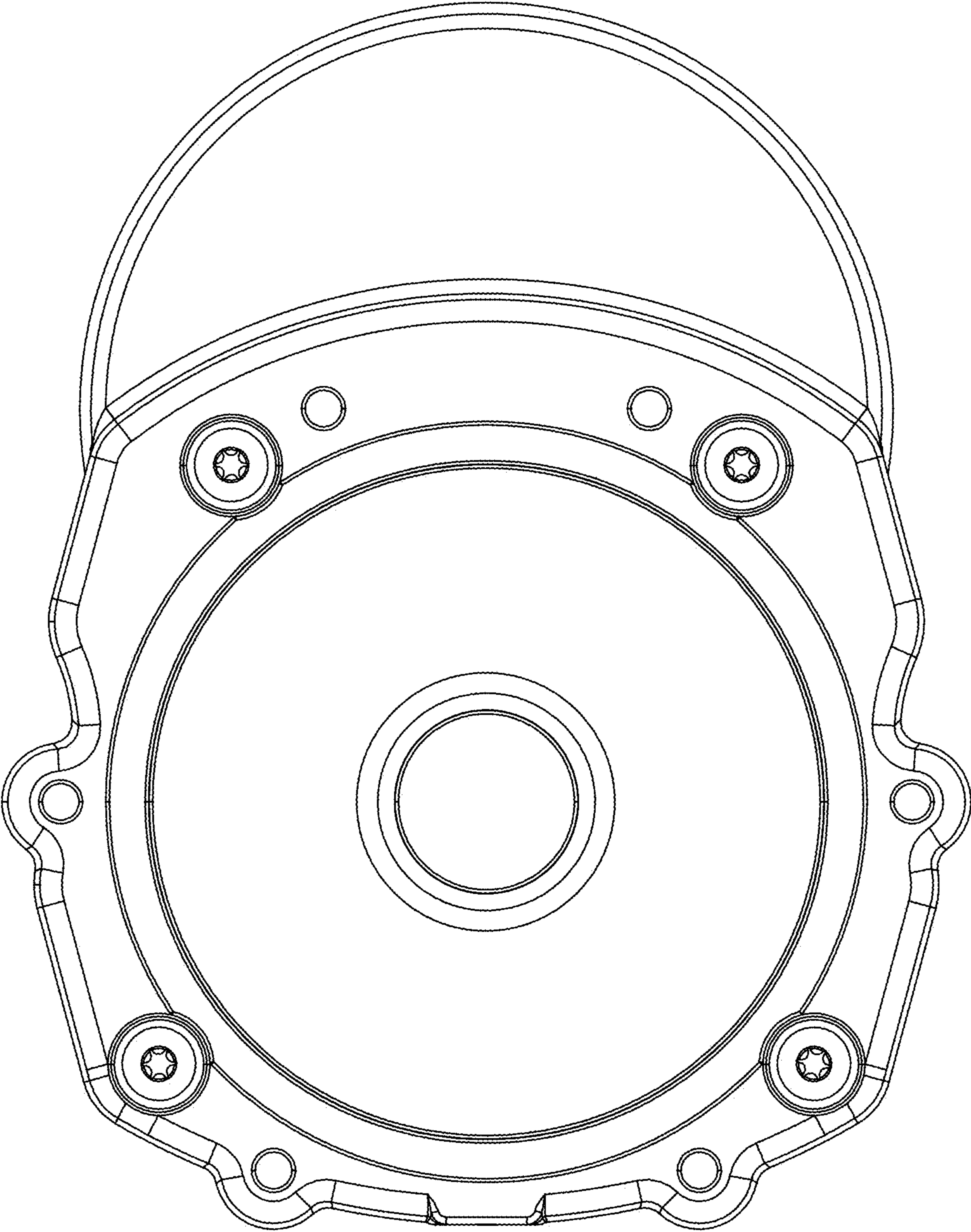


FIG. 2

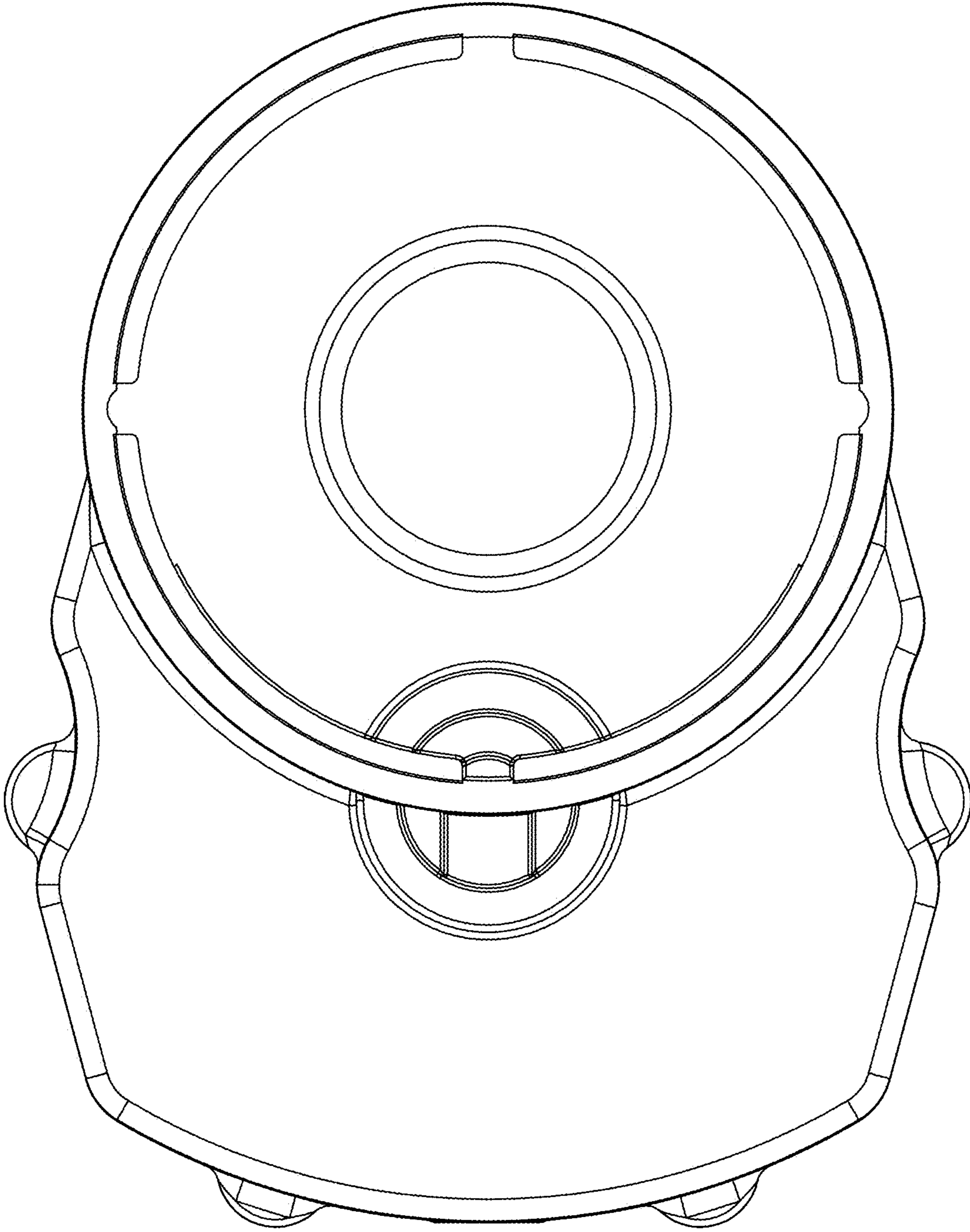


FIG. 3

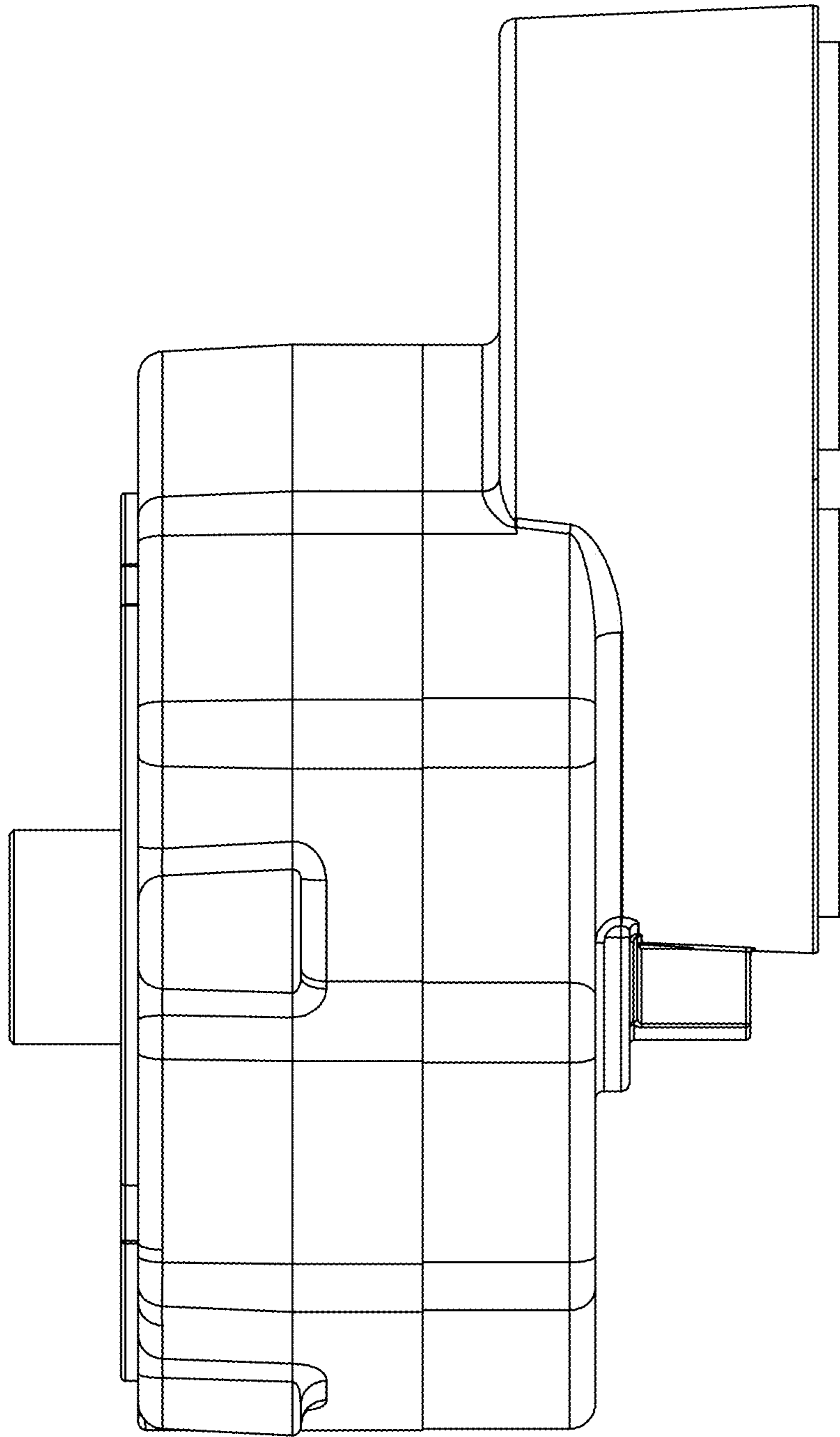


FIG. 4

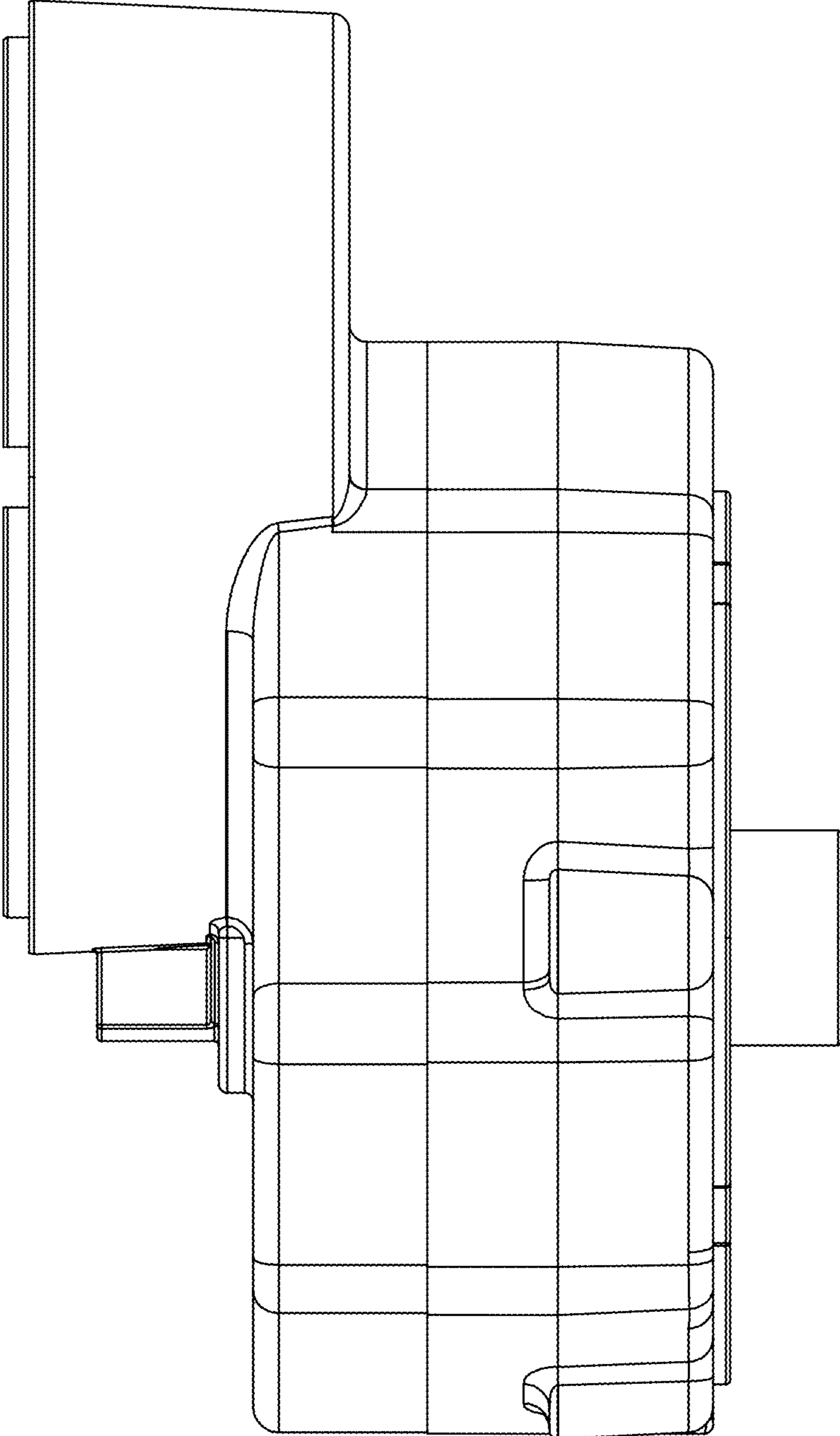


FIG. 5

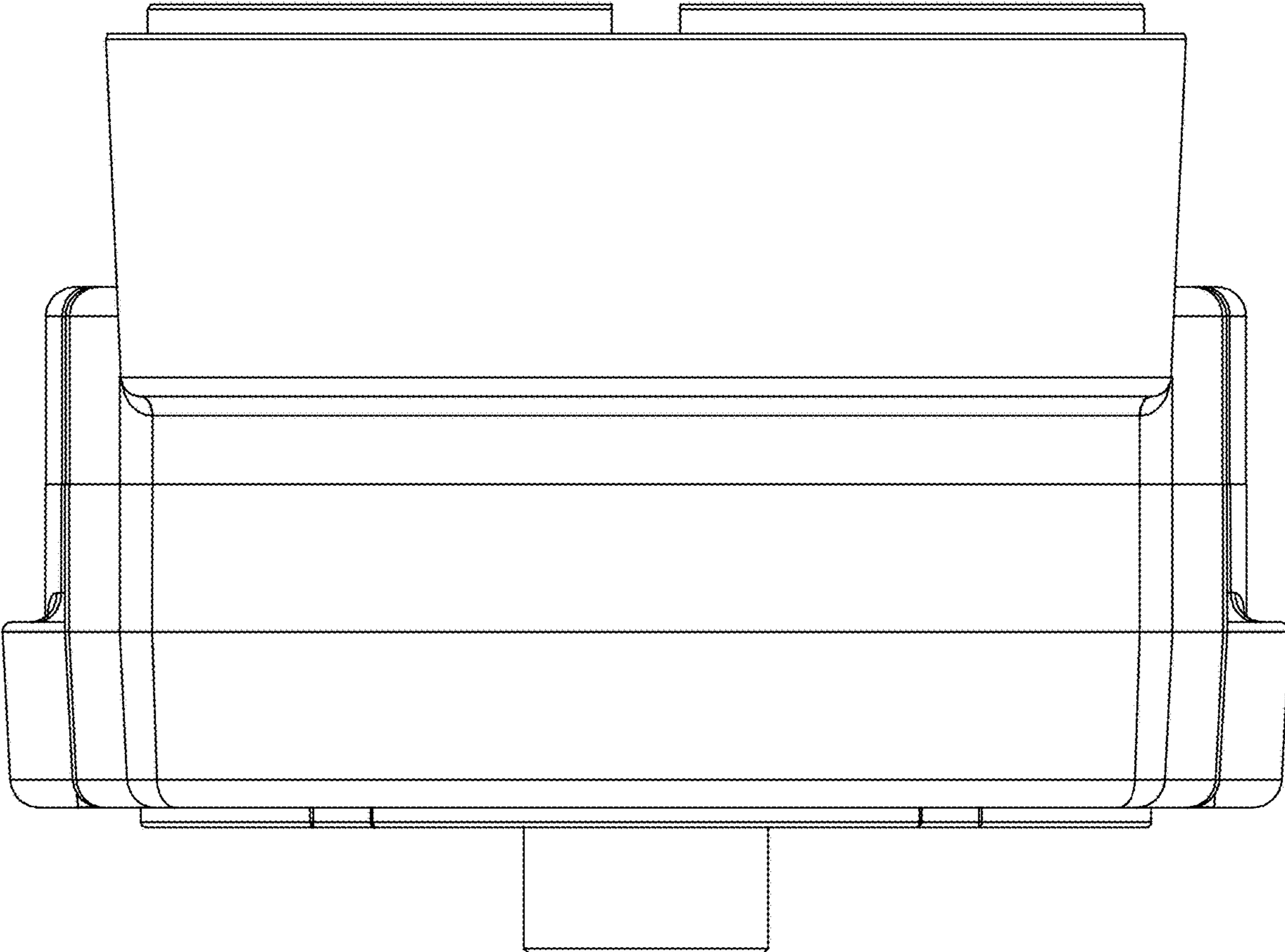


FIG. 6

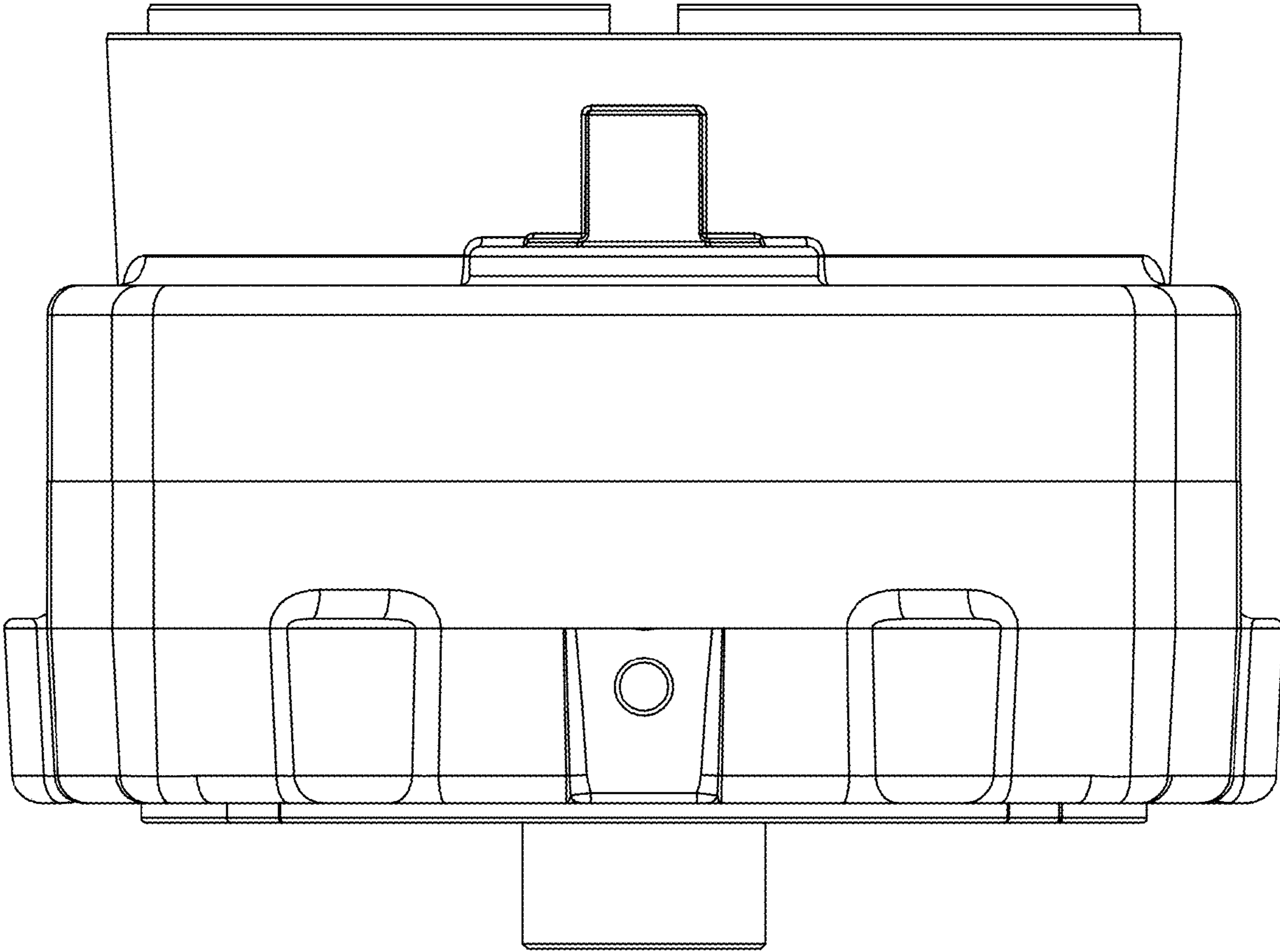


FIG. 7