



US00D916158S

(12) **United States Design Patent**  
**Gupta**

(10) **Patent No.:** **US D916,158 S**

(45) **Date of Patent:** **\*\* Apr. 13, 2021**

(54) **POWERED DOOR OPERATOR**

(71) Applicant: **AUTOMATIC TECHNOLOGY (AUSTRALIA) PTY LTD,**  
Keysborough (AU)

(72) Inventor: **Kanav Gupta,** Keysborough (AU)

(73) Assignee: **AUTOMATIC TECHNOLOGY (AUSTRALIA) PTY LTD,**  
Keysborough (AU)

(\*\*) Term: **15 Years**

(21) Appl. No.: **29/715,111**

(22) Filed: **Nov. 27, 2019**

(30) **Foreign Application Priority Data**

May 29, 2019 (AU) ..... 201912925

(51) **LOC (13) Cl.** ..... **15-09**

(52) **U.S. Cl.**  
USPC ..... **D15/148; D13/112**

(58) **Field of Classification Search**  
USPC ..... D13/112, 118, 122, 168, 184, 199;  
D15/148, 199  
CPC ..... E05F 15/668; E05Y 2400/328; E05Y  
2400/334; E05Y 2400/612; E05Y  
2900/106; E05Y 2800/106; E05Y  
2800/252; E05Y 2201/244

See application file for complete search history.

(56) **References Cited**

**U.S. PATENT DOCUMENTS**

D390,188 S \* 2/1998 Norfolk ..... D13/112  
D402,300 S \* 12/1998 Doppelt ..... D15/199

D492,333 S \* 6/2004 Guzman ..... D15/148  
D687,379 S \* 8/2013 Palmer ..... D13/112  
D729,734 S \* 5/2015 Tehranchi ..... D13/122  
D857,935 S \* 8/2019 Tajima ..... D26/28  
2004/0246721 A1\* 12/2004 Hoermann ..... F21V 33/006  
362/253  
2013/0038183 A1\* 2/2013 Chen ..... E05F 15/668  
310/75 R

\* cited by examiner

*Primary Examiner* — Derrick E Holland

(74) *Attorney, Agent, or Firm* — Sheridan Ross P.C.

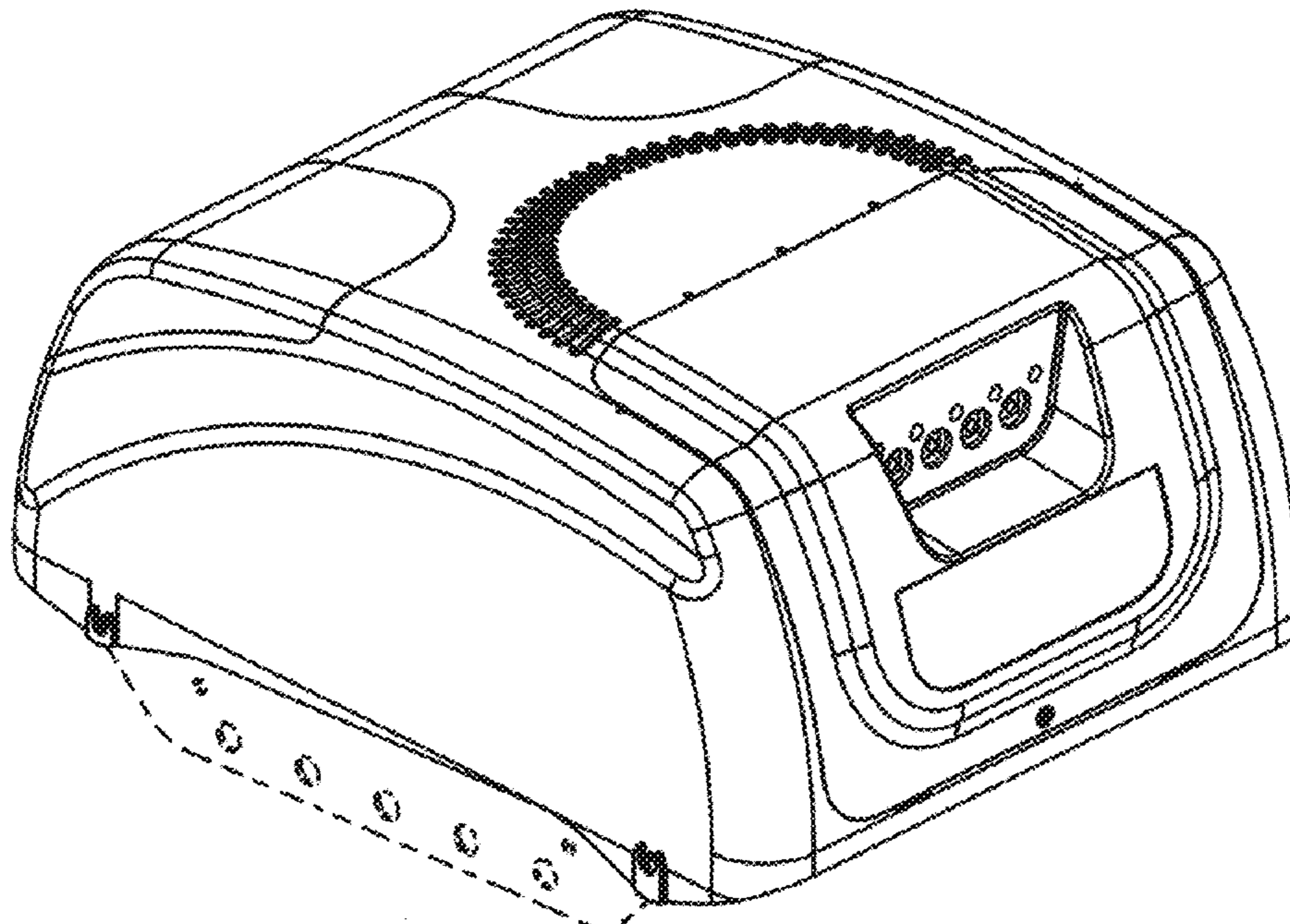
(57) **CLAIM**

The ornamental design for a powered door operator, as shown and described.

**DESCRIPTION**

FIG. 1 is an upper isometric view of a powered door operator;  
FIG. 2 is a lower isometric view of the powered door operator;  
FIG. 3 is a front end view of the powered door operator;  
FIG. 4 is a rear end view of the powered door operator;  
FIG. 5 is a right side view of the powered door operator;  
FIG. 6 is a left side view of the powered door operator;  
FIG. 7 is a top view of the powered door operator; and,  
FIG. 8 is a bottom view of the powered door operator.  
The broken lines shown represent the portions of the powered door operator that form no part of the claimed design.

**1 Claim, 5 Drawing Sheets**



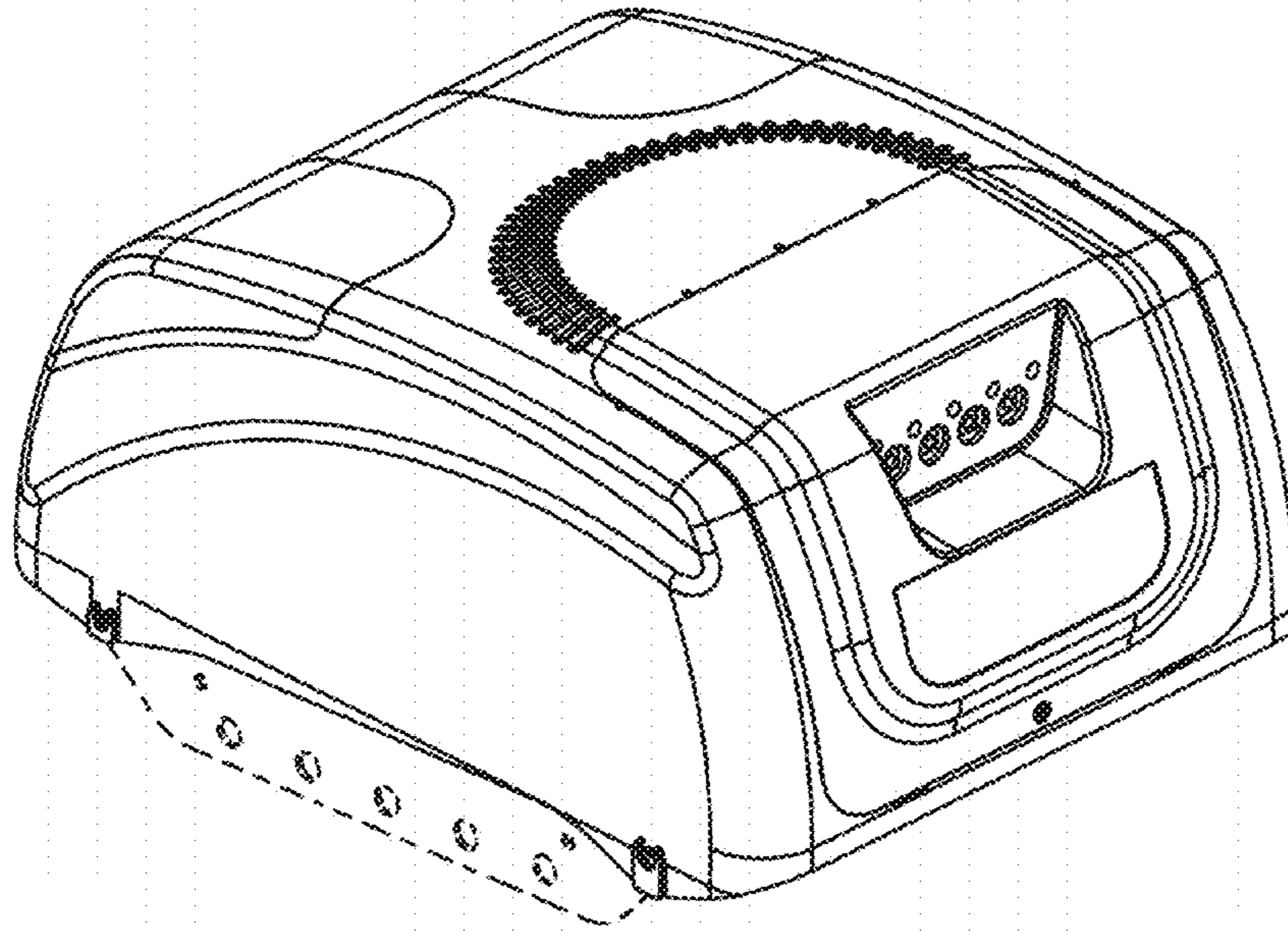


FIG. 1

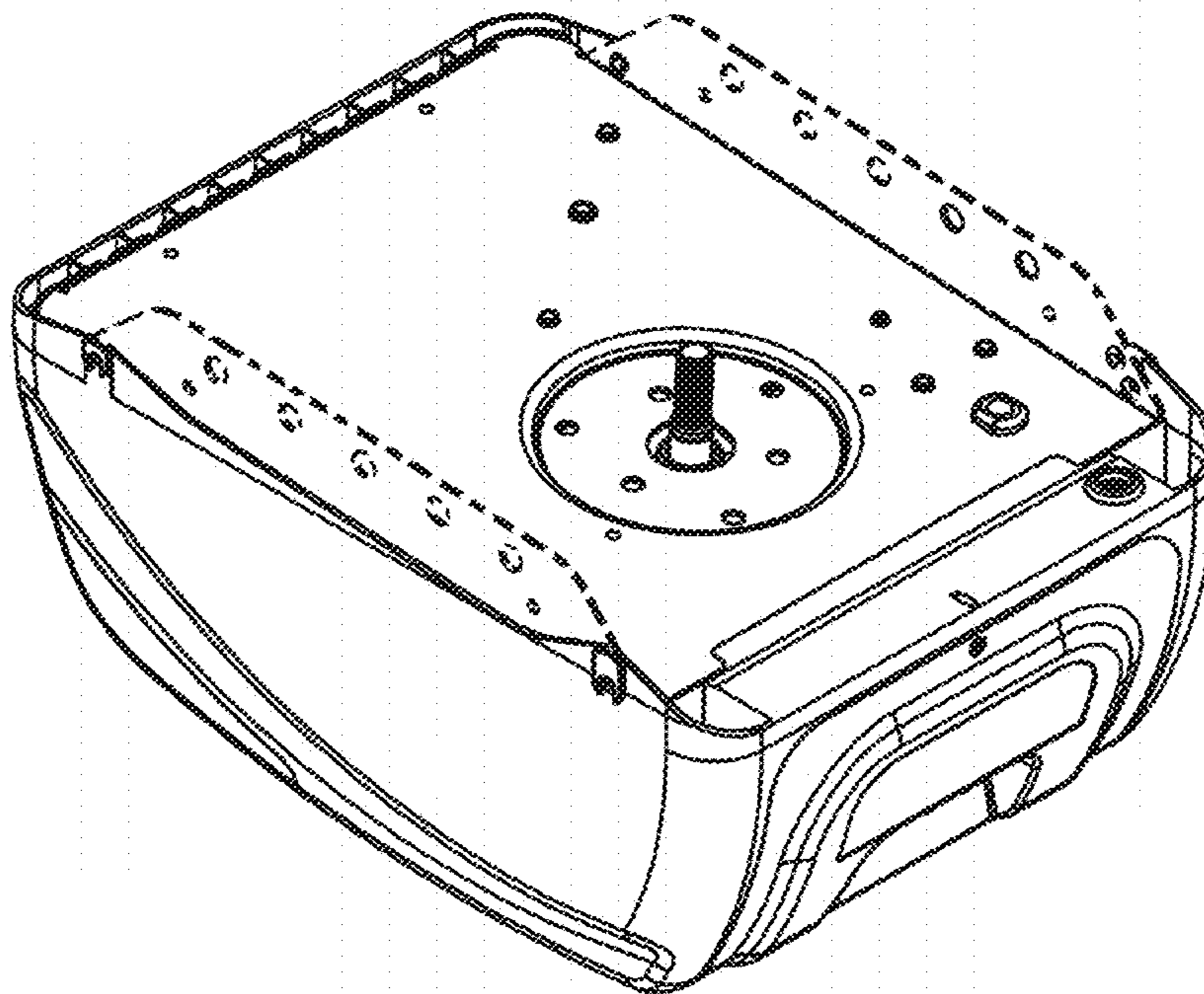


FIG. 2



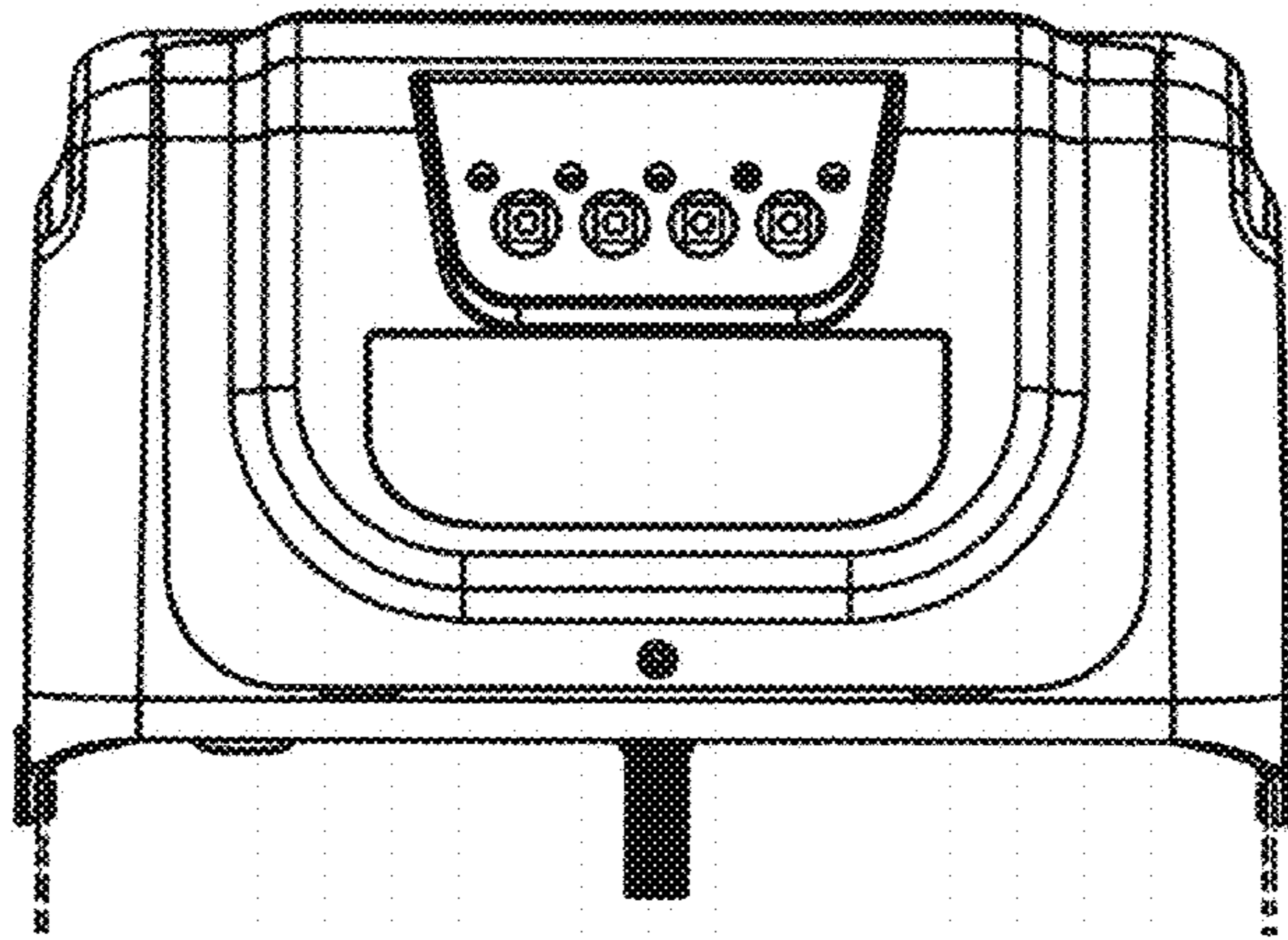


FIG. 3

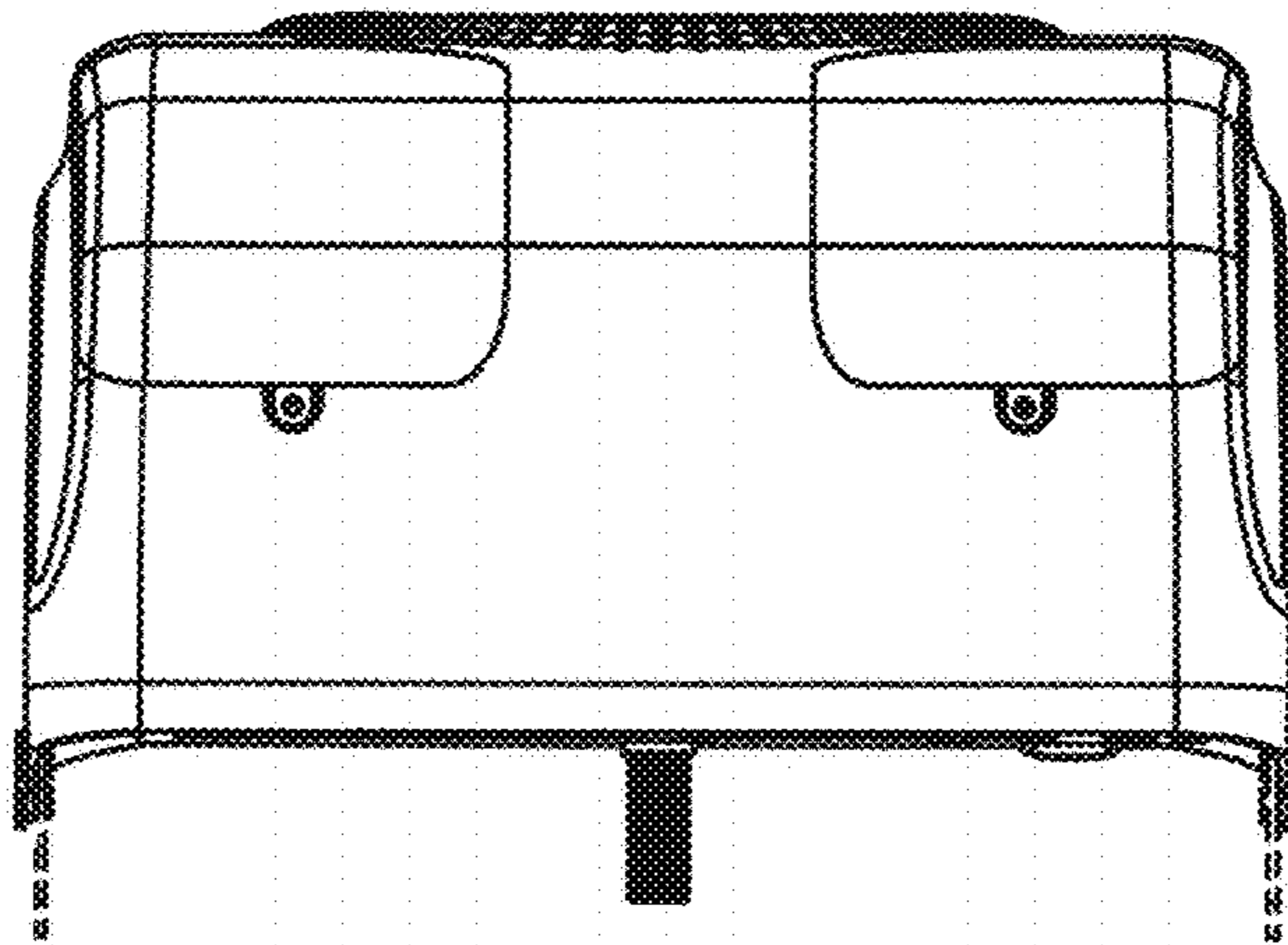


FIG. 4

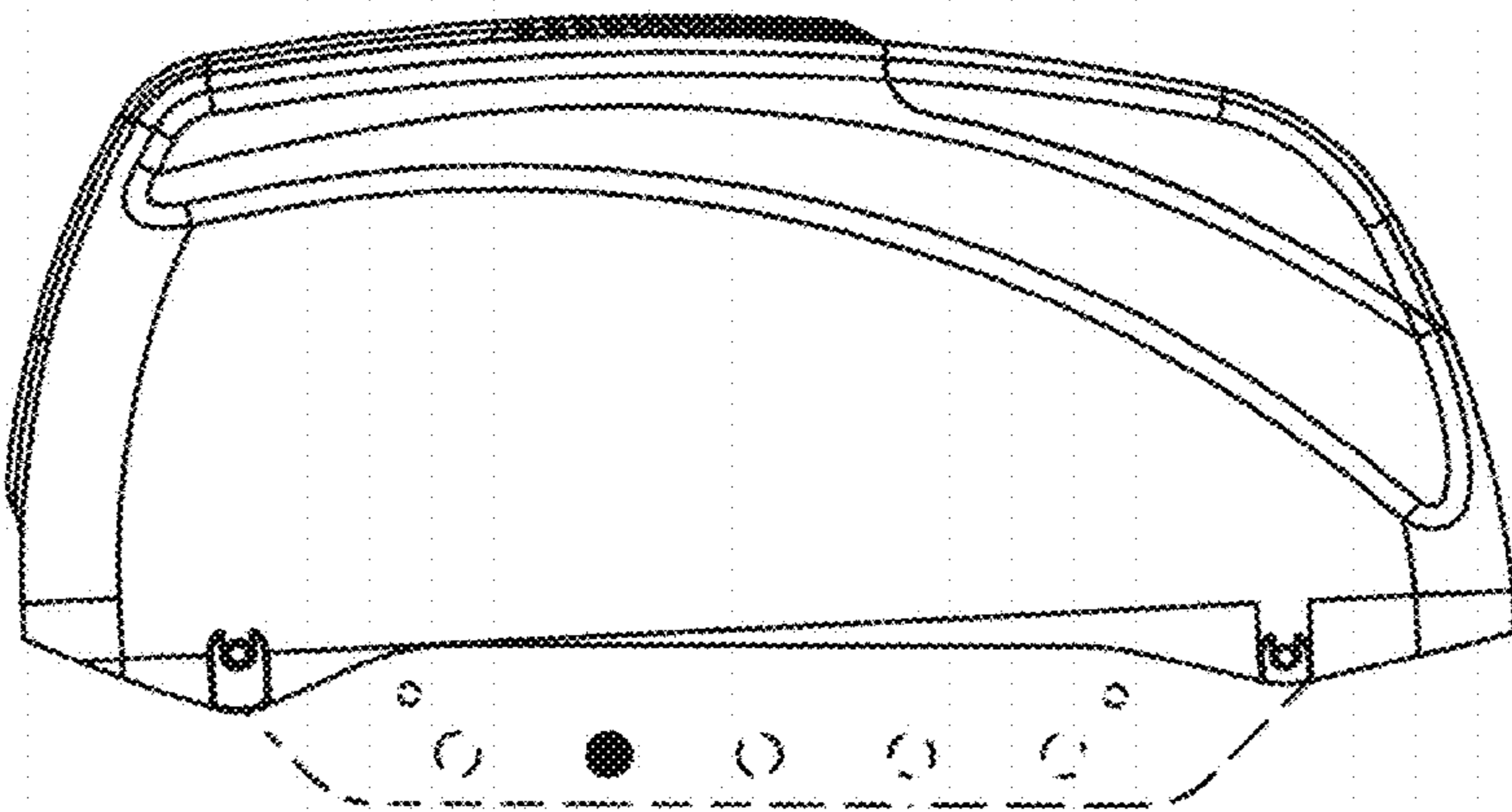


FIG. 5

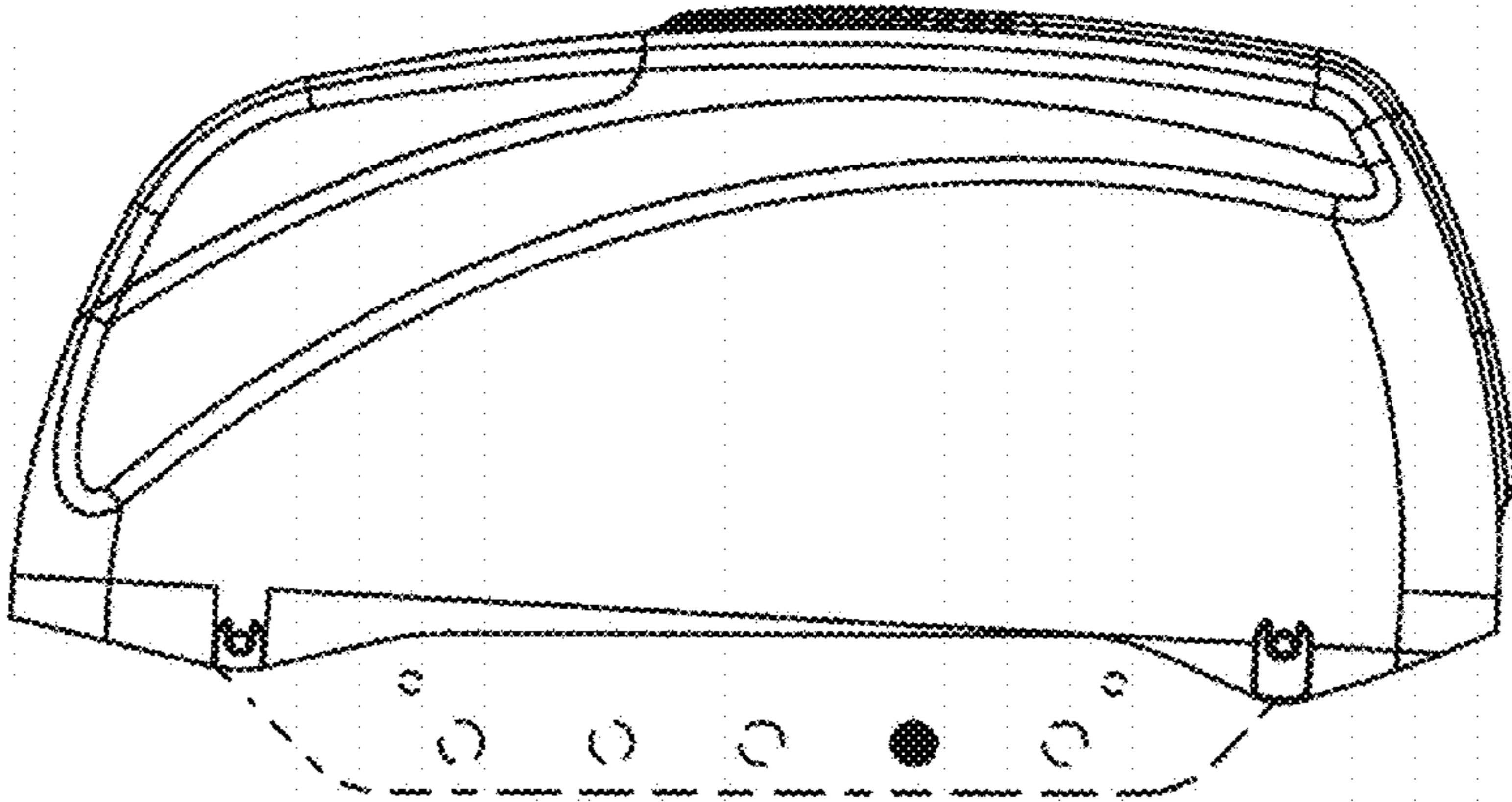


FIG. 6

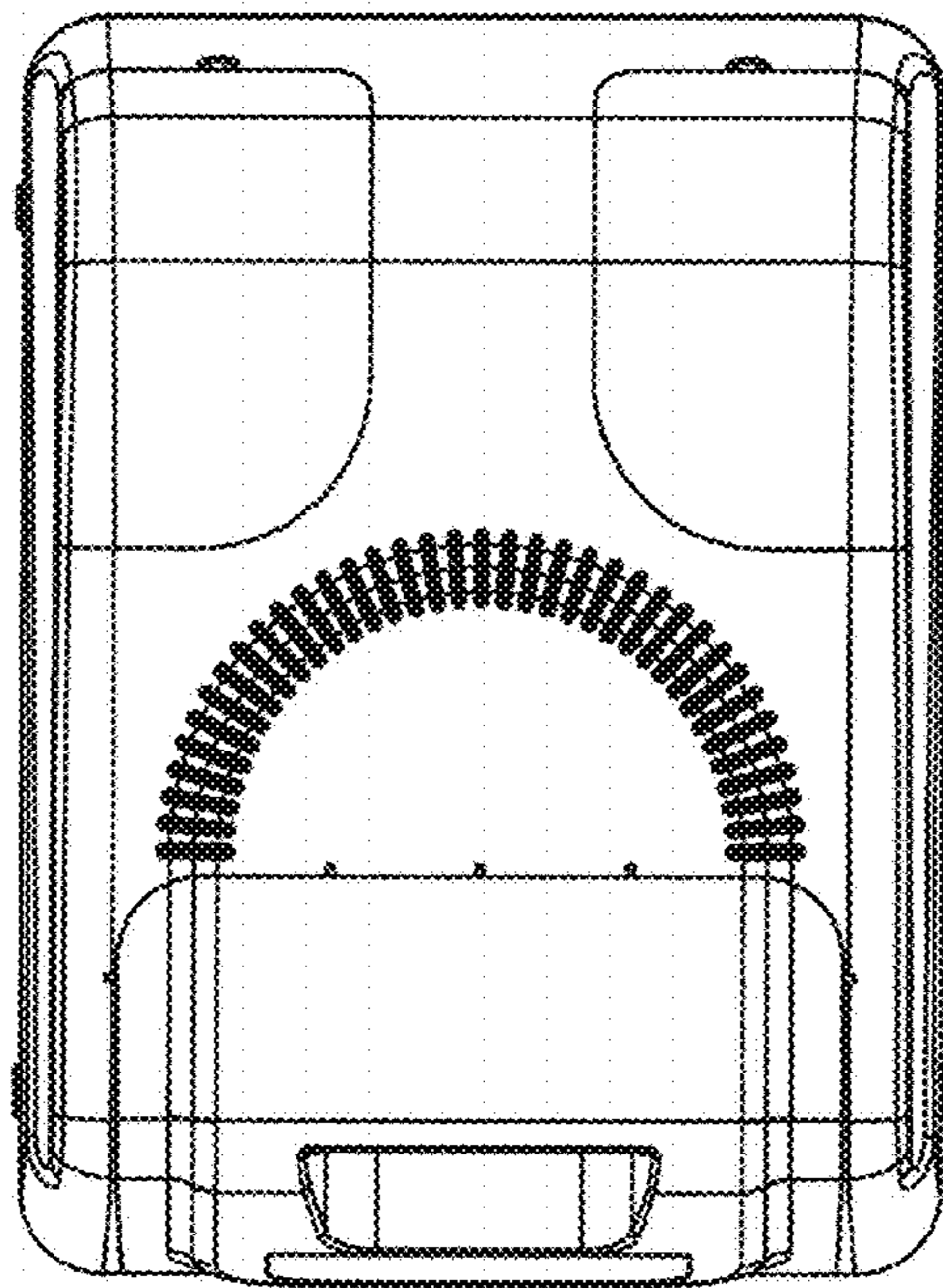


FIG. 7

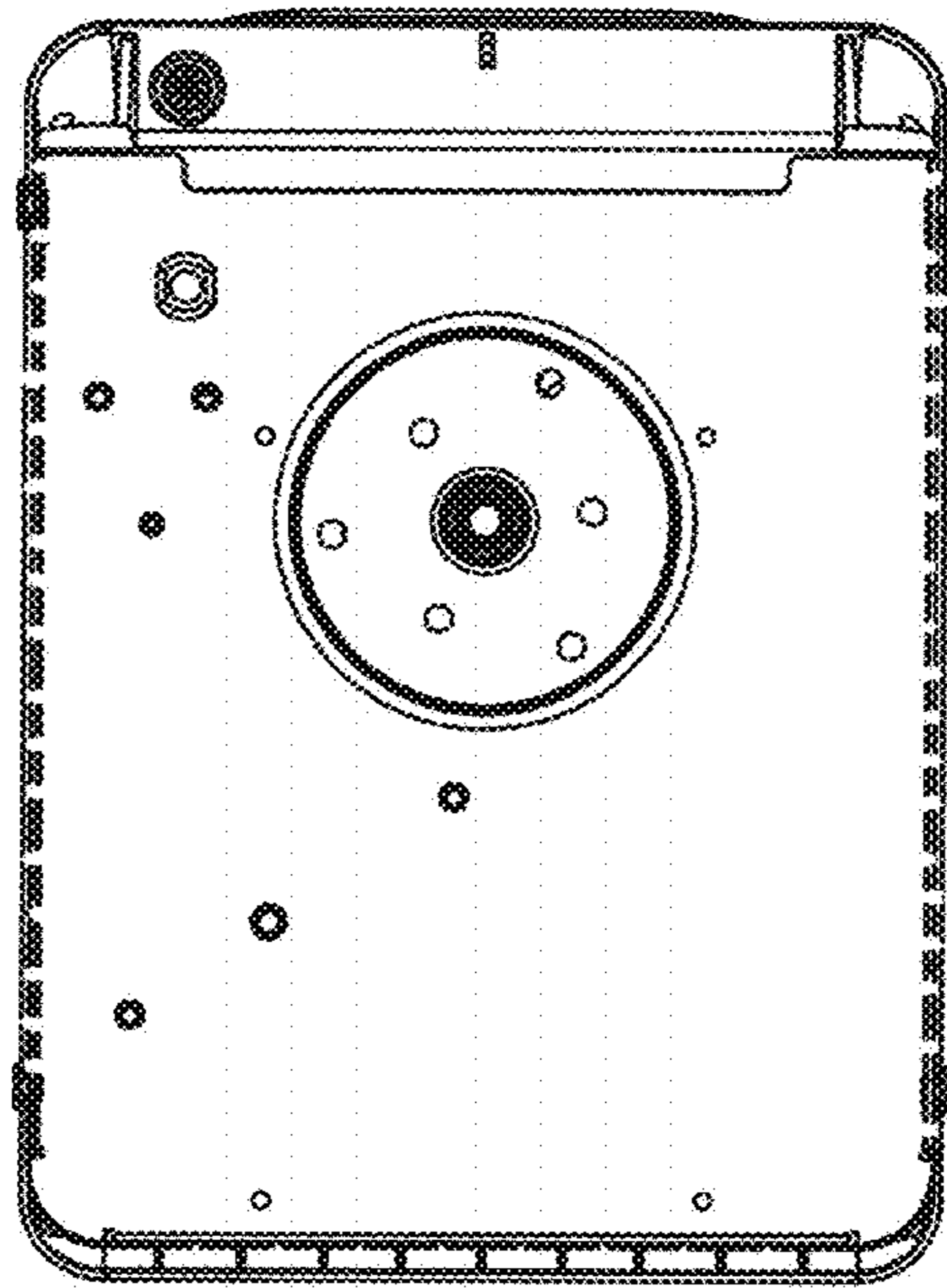


FIG. 8