



US00D916157S

(12) **United States Design Patent**
Micut et al.

(10) **Patent No.:** **US D916,157 S**

(45) **Date of Patent:** **** Apr. 13, 2021**

(54) **POWERED DOOR OPERATOR**

(71) Applicant: **AUTOMATIC TECHNOLOGY (AUSTRALIA) PTY LTD,**
Keysborough (AU)

(72) Inventors: **Ben Micut,** Keysborough (AU); **Kanav Gupta,** Keysborough (AU)

(73) Assignee: **AUTOMATIC TECHNOLOGY (AUSTRALIA) PTY LTD,**
Keysborough (AU)

(**) Term: **15 Years**

(21) Appl. No.: **29/704,485**

(22) Filed: **Sep. 5, 2019**

(30) **Foreign Application Priority Data**

Mar. 8, 2019 (AU) 201911236

(51) **LOC (13) Cl.** **15-09**

(52) **U.S. Cl.**
USPC **D15/148; D15/199; D13/168**

(58) **Field of Classification Search**
USPC D13/112, 118, 122, 168, 184, 199;
D15/148, 199
CPC E05F 15/668; E05Y 2400/328; E05Y
2400/334; E05Y 2400/612; E05Y
2900/106; E05Y 2800/106; E05Y
2800/252; E05Y 2201/244
See application file for complete search history.

(56) **References Cited**

U.S. PATENT DOCUMENTS

D402,300 S * 12/1998 Doppelt D15/199
D492,333 S * 6/2004 Guzman D15/148
D506,485 S * 6/2005 Guzman D15/148

D519,138 S * 4/2006 Guzman D15/148
D738,413 S * 9/2015 Randlov D15/143
D795,935 S * 8/2017 Jorgensen D15/148
D848,498 S * 5/2019 Baer D15/148
D868,861 S * 12/2019 Baer D15/148
D872,150 S * 1/2020 Abel D15/148
2004/0245259 A1 * 12/2004 Hormann E05F 15/668
220/780
2004/0246721 A1 * 12/2004 Hoermann F21V 33/006
362/253
2009/0151262 A1 * 6/2009 Scheib E06B 9/70
49/349
2013/0038183 A1 * 2/2013 Chen E05F 15/668
310/75 R
2020/0080359 A1 * 3/2020 Nevetscherov E05F 15/67

* cited by examiner

Primary Examiner — Selina Sikder

(74) *Attorney, Agent, or Firm* — Sheridan Ross P.C.

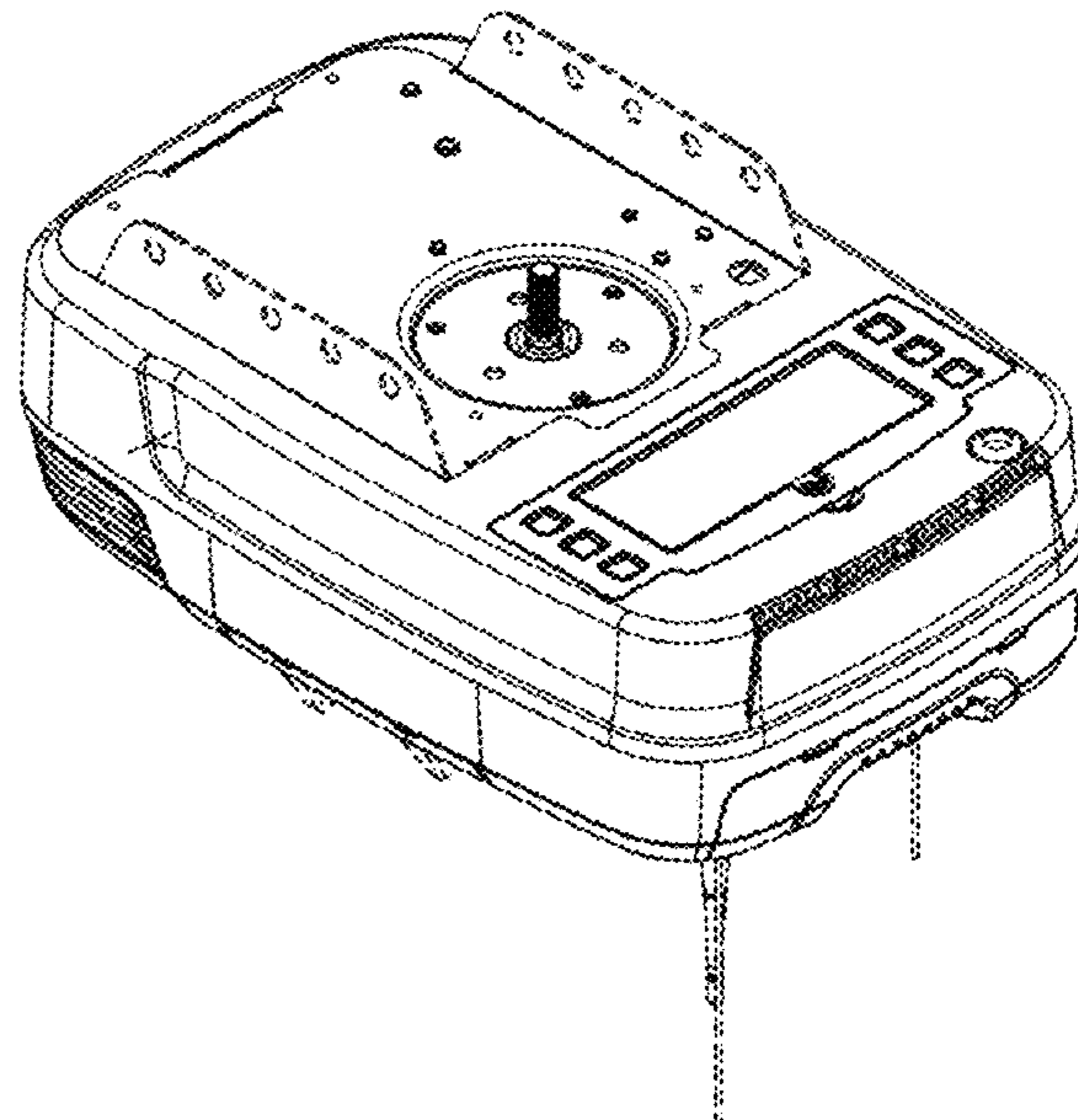
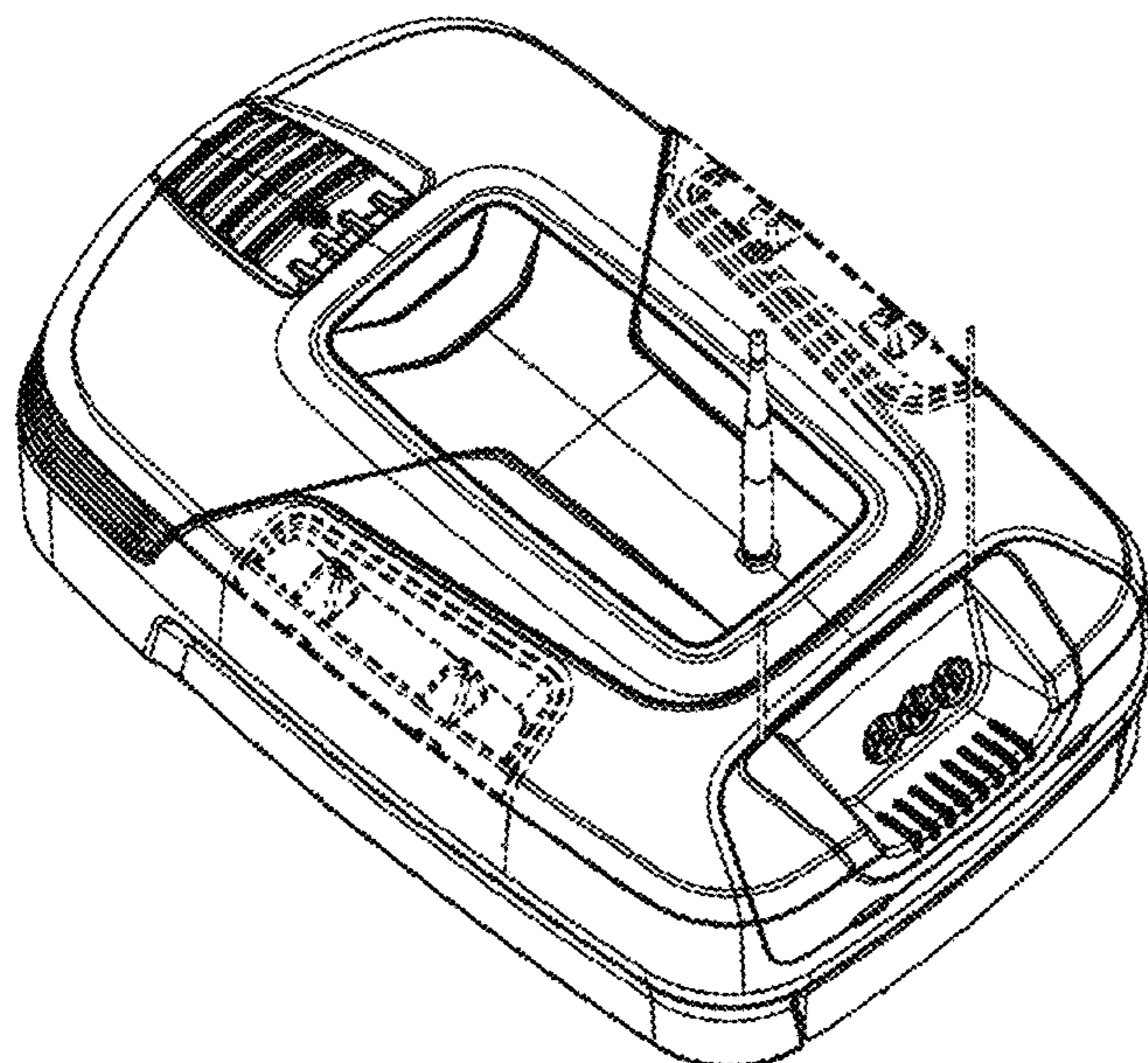
(57) **CLAIM**

The ornamental design for a powered door operator, as shown and described.

DESCRIPTION

FIG. 1 is an upper isometric view of the powered door operator;
FIG. 2 is a lower isometric view of the powered door operator;
FIG. 3 is a right side view of the powered door operator;
FIG. 4 is a left side view of the powered door operator;
FIG. 5 is a front end view of the powered door operator;
FIG. 6 is a rear end view of the powered door operator;
FIG. 7 is a top view of the powered door operator; and,
FIG. 8 is a bottom view of the powered door operator.
The broken lines in the drawings depict portions of the powered door operator that form no part of the claimed design.

1 Claim, 5 Drawing Sheets



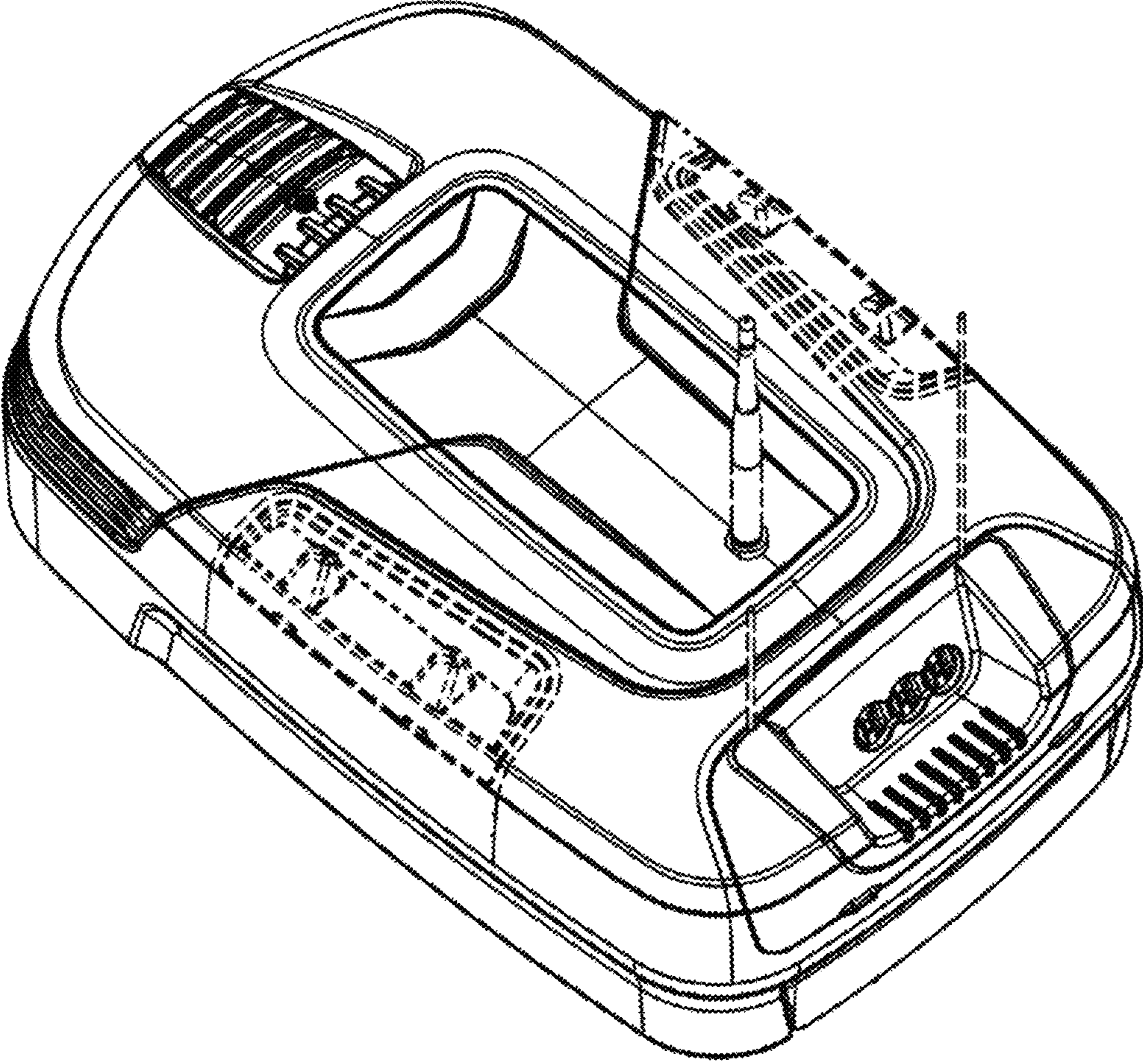


FIG. 1

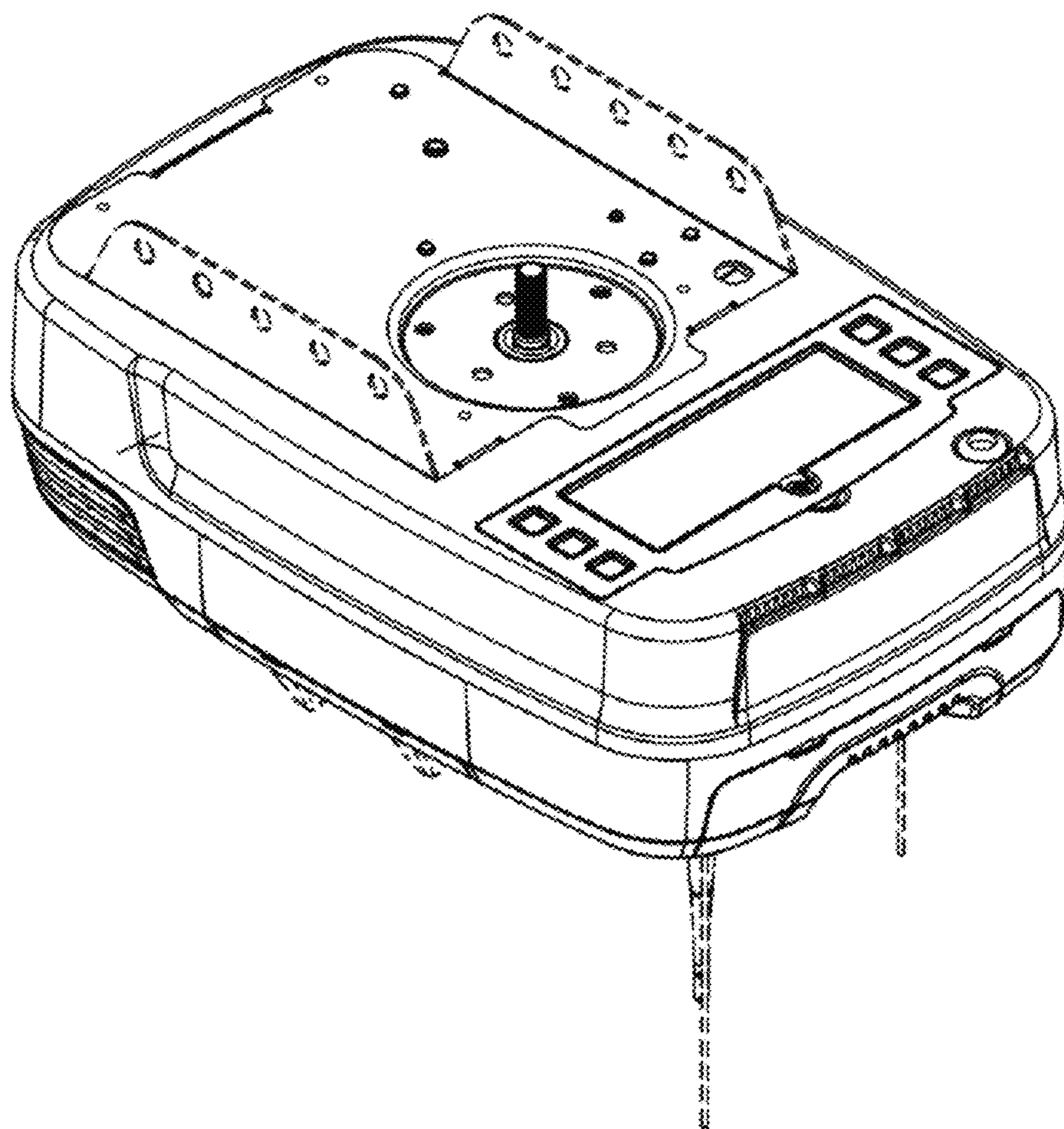


FIG. 2

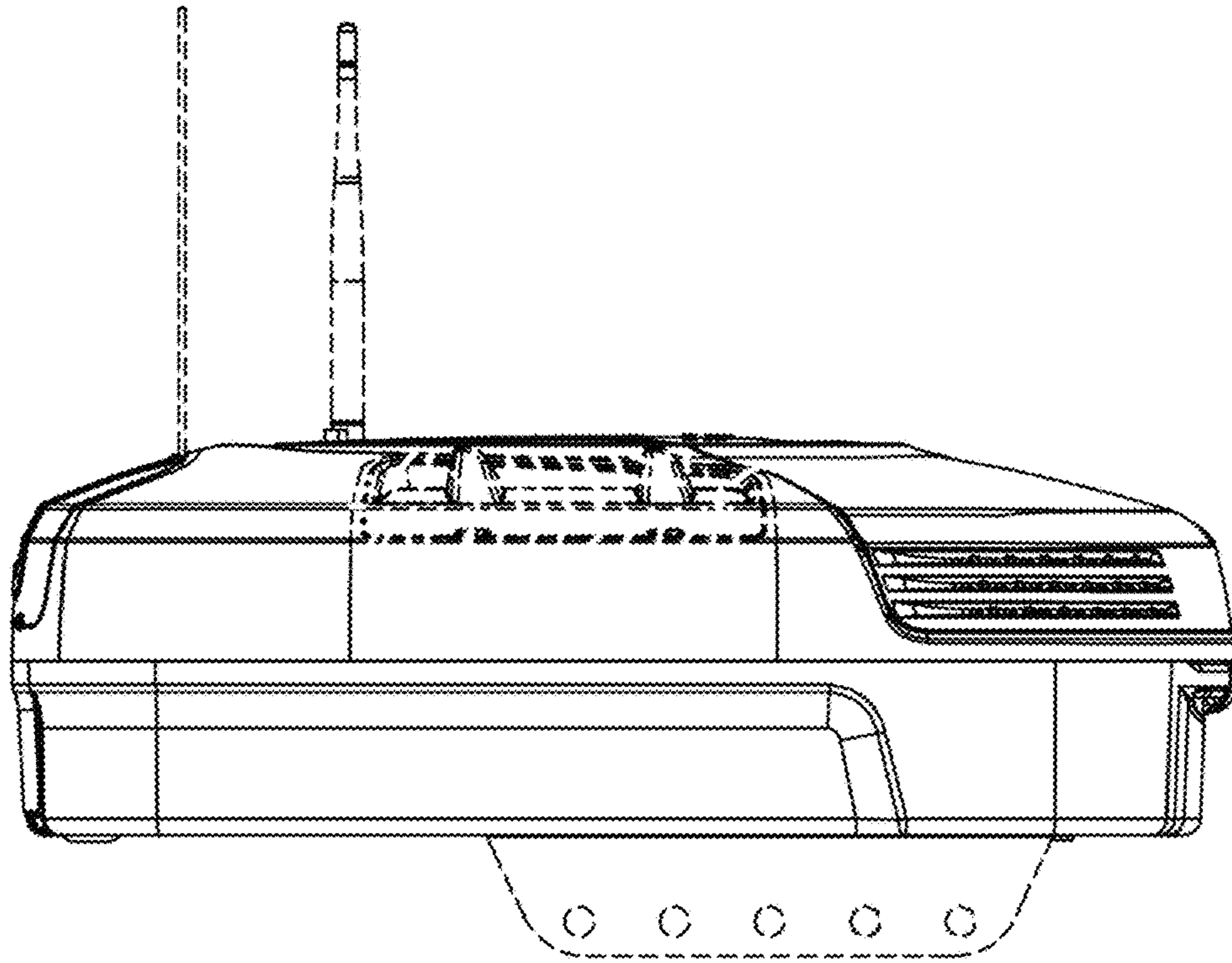


FIG. 3

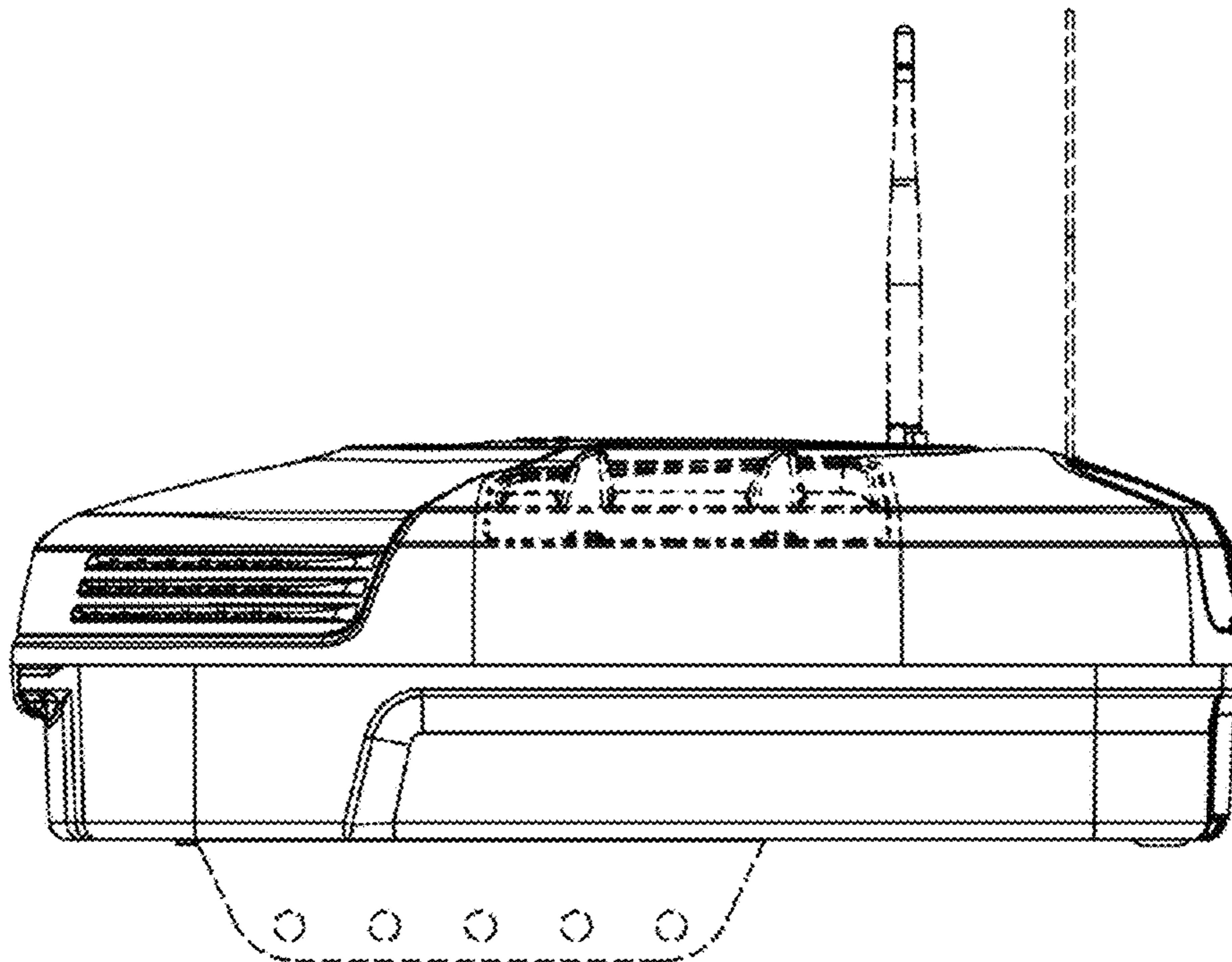


FIG. 4

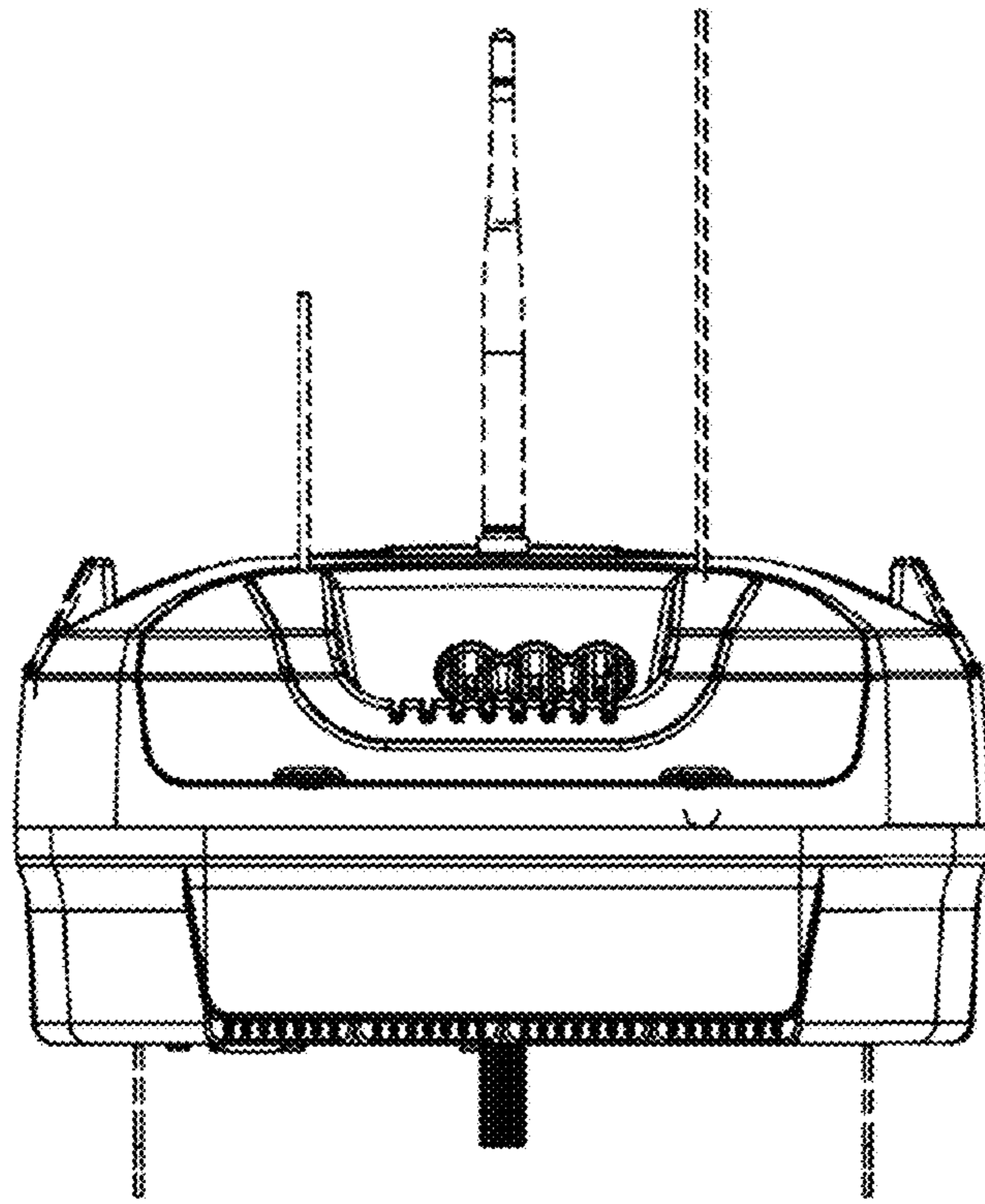


FIG. 5

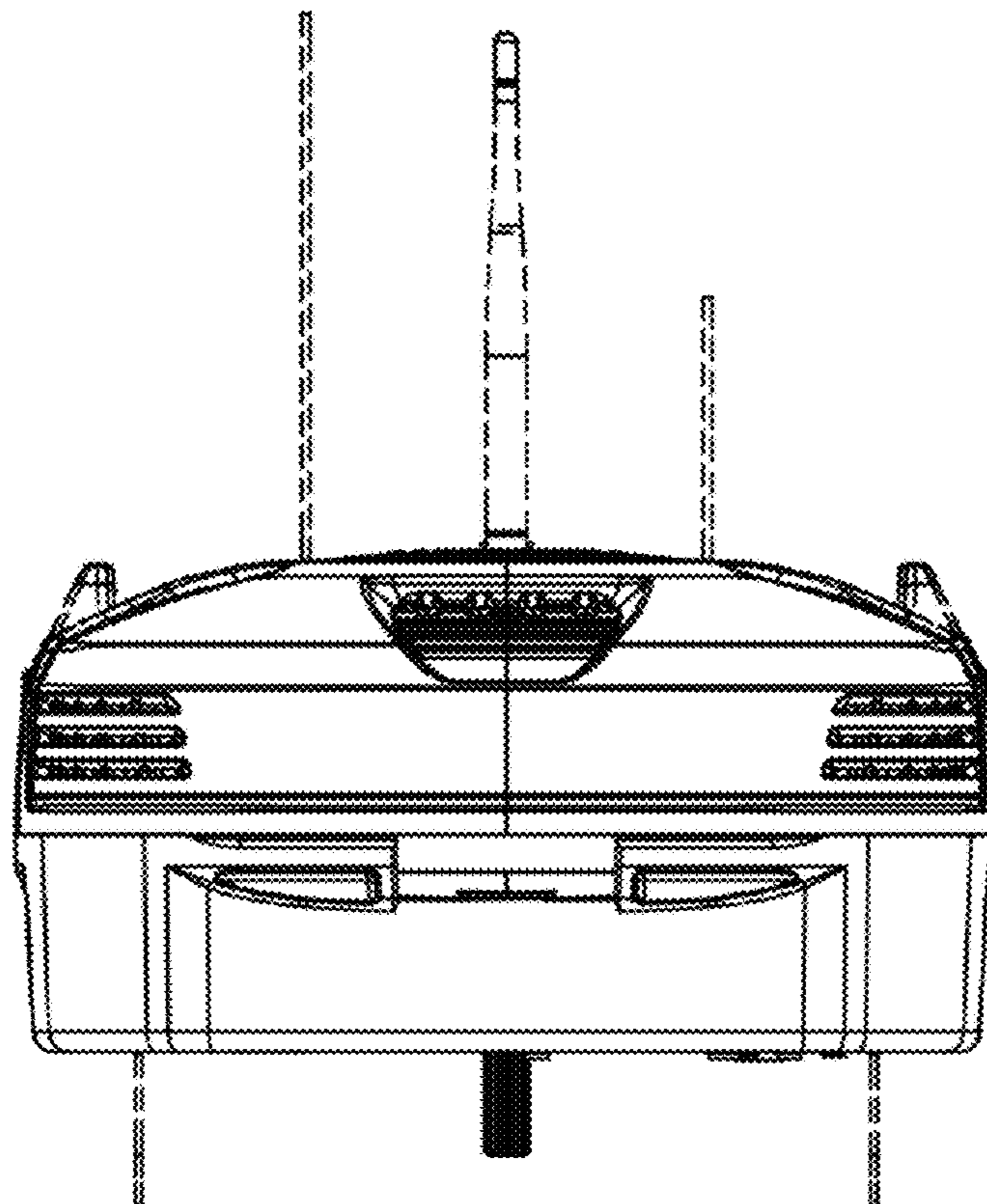


FIG. 6

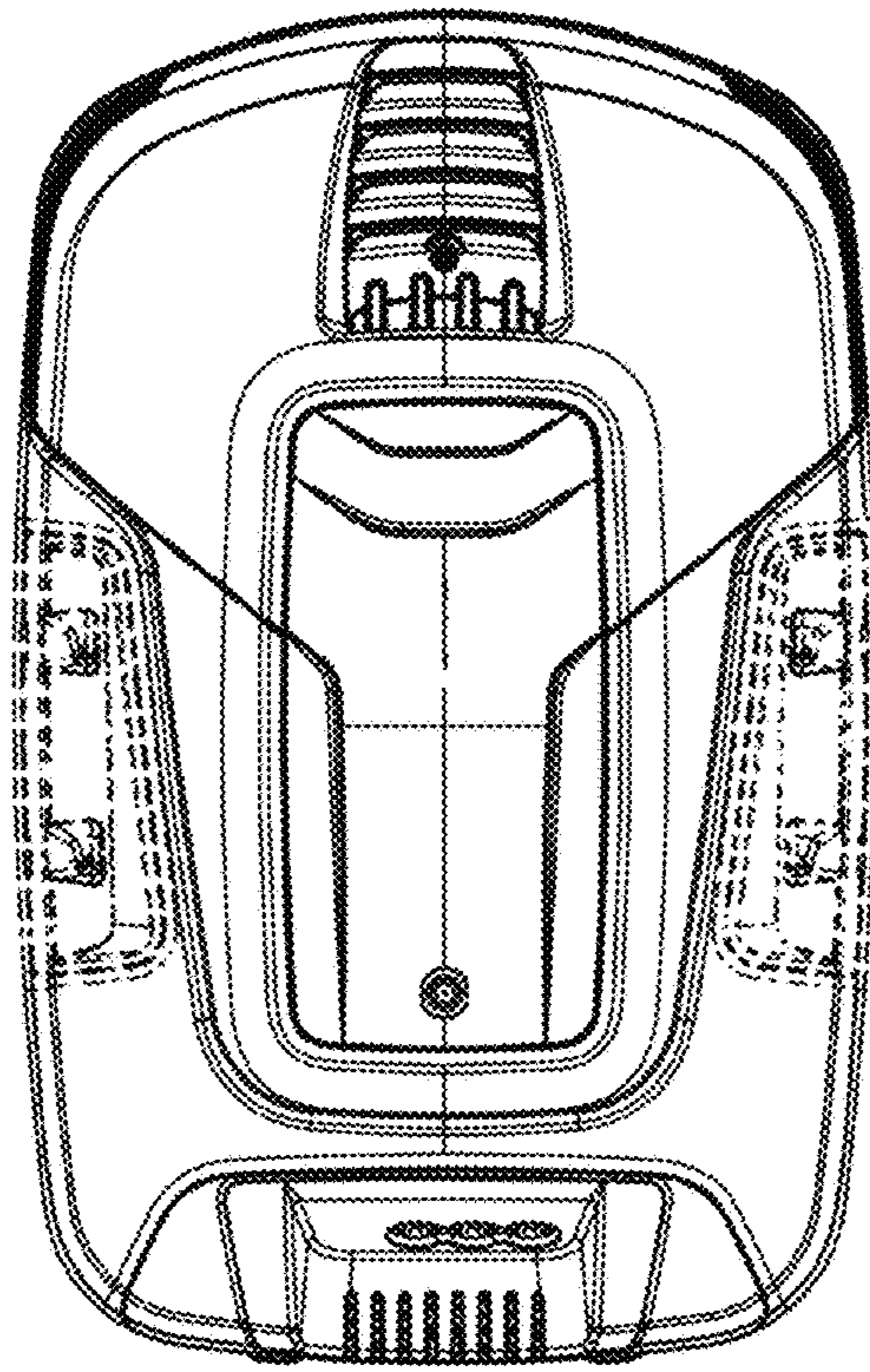


FIG. 7

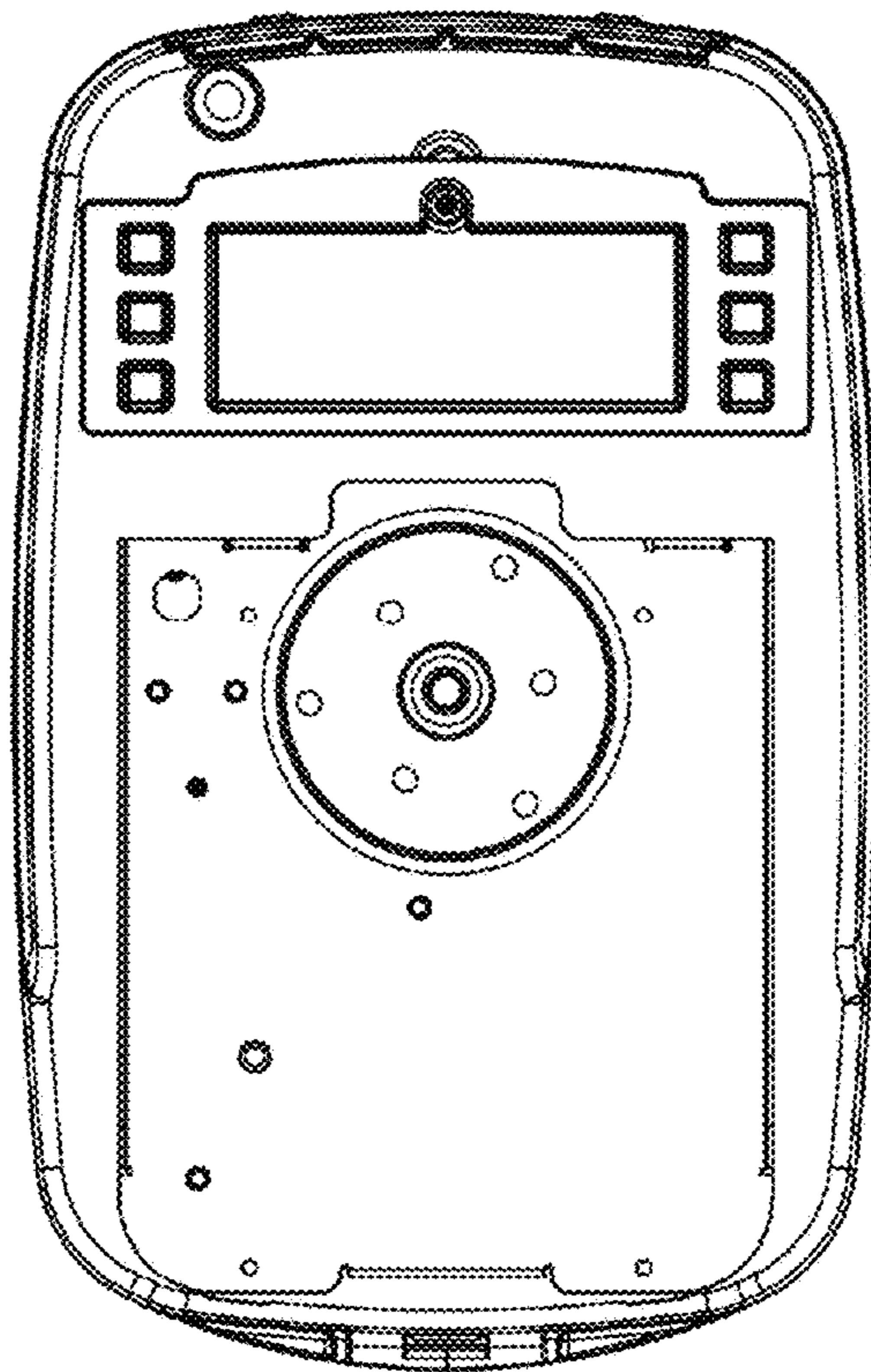


FIG. 8