



US00D916156S

(12) **United States Design Patent** (10) **Patent No.:** **US D916,156 S**  
**Singh et al.** (45) **Date of Patent:** **\*\* Apr. 13, 2021**

(54) **CAPSULE FILLING MACHINE**  
(71) Applicant: **ACG Pam Pharma Technologies Pvt. Ltd., Maharashtra (IN)**  
(72) Inventors: **Karan Singh, Mumbai (IN); Siddhant Bhambhani, Mumbai (IN)**  
(73) Assignee: **ACG PAM PHARMA TECHNOLOGIES PVT. LTD**

(\*\*) Term: **15 Years**  
(21) Appl. No.: **29/721,450**  
(22) Filed: **Jan. 21, 2020**

(30) **Foreign Application Priority Data**

Jul. 23, 2019 (IN) ..... 319885-001

(51) **LOC (13) Cl.** ..... **15-09**

(52) **U.S. Cl.**  
USPC ..... **D15/145; D15/122**

(58) **Field of Classification Search**  
USPC ..... D15/122, 145, 146, 199  
CPC ... B30B 11/08; B30B 15/028; B30B 15/0023;  
B30B 15/0082

See application file for complete search history.

(56) **References Cited**

**U.S. PATENT DOCUMENTS**

D256,376 S \* 8/1980 MacKrell ..... D20/4  
4,817,006 A \* 3/1989 Lewis ..... B30B 11/005  
264/40.5  
D559,871 S \* 1/2008 Kittaka ..... D15/122  
D567,263 S \* 4/2008 Sugihara ..... D15/122  
D620,508 S \* 7/2010 Jacquet ..... D15/122  
D622,746 S \* 8/2010 Daniels ..... D15/145  
D623,207 S \* 9/2010 Gentry, Jr. .... D15/145

D623,208 S \* 9/2010 Parrish ..... D15/145  
D639,322 S \* 6/2011 Daniels ..... D15/145  
D662,953 S \* 7/2012 Parrish ..... D15/145  
D664,171 S \* 7/2012 Gentry, Jr. .... D15/145  
D685,825 S \* 7/2013 Hoelbl ..... D15/122  
D694,298 S \* 11/2013 Hoelbl ..... D15/122  
D766,998 S \* 9/2016 Kao ..... D15/122  
D799,567 S \* 10/2017 Cesar ..... D15/122  
D872,778 S \* 1/2020 Palmeter ..... D15/122  
D892,181 S \* 8/2020 Blutbacher ..... D15/122  
2004/0067275 A1 \* 4/2004 Trebbi ..... B30B 15/028  
425/352  
2005/0280989 A1 \* 12/2005 Hinzpeter ..... B30B 11/08  
361/695  
2008/0029915 A1 \* 2/2008 Waldron ..... B30B 15/0082  
264/39  
2010/0074980 A1 \* 3/2010 Sanderson ..... B30B 11/34  
425/233  
2018/0178474 A1 \* 6/2018 Vogelee ..... B30B 15/0023  
2018/0345615 A1 \* 12/2018 Choi ..... B30B 15/026

\* cited by examiner

*Primary Examiner* — Patricia A Palasik

(74) *Attorney, Agent, or Firm* — Belles Katz LLC

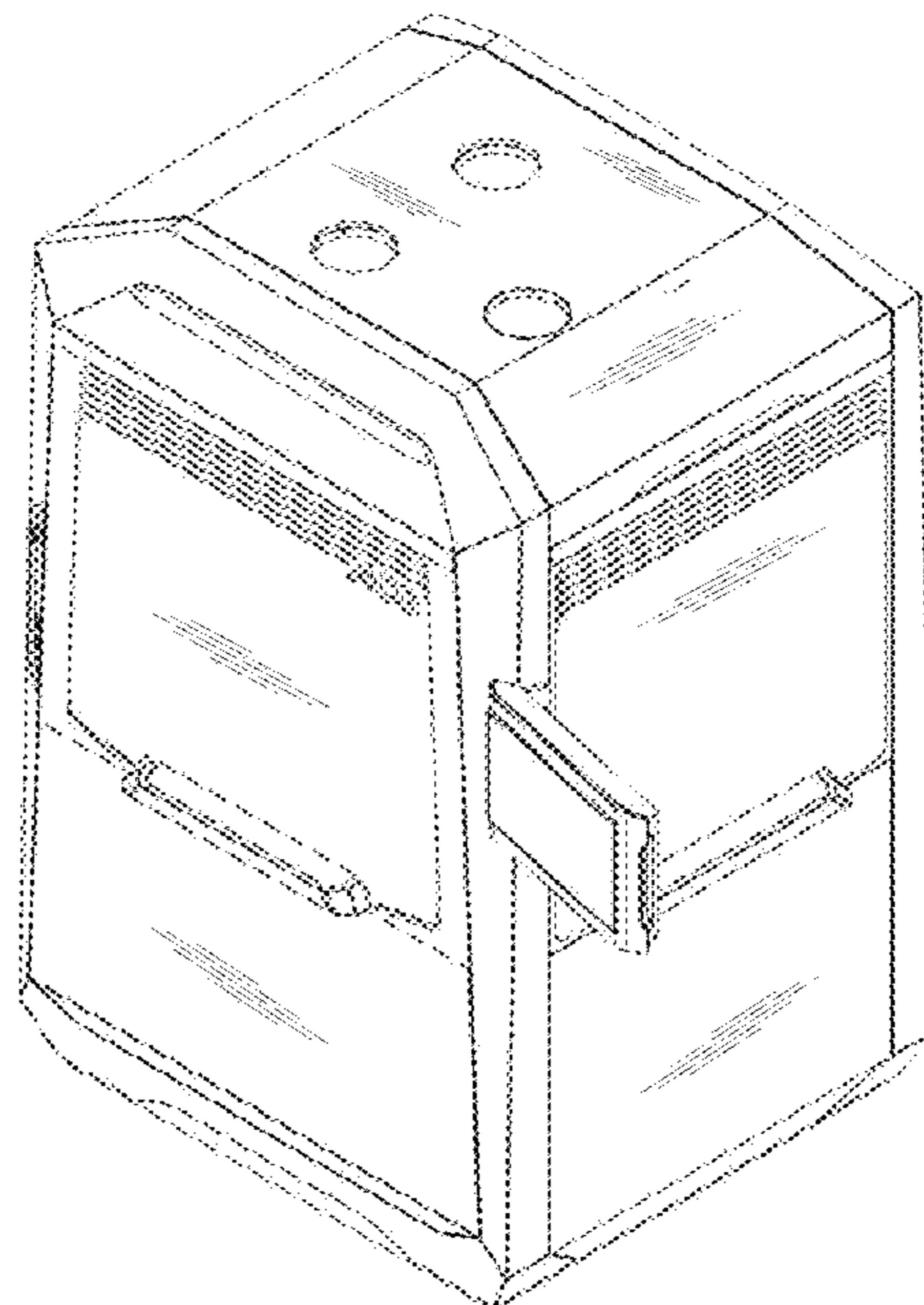
(57) **CLAIM**

The ornamental design for a capsule filling machine, as shown and described.

**DESCRIPTION**

FIG. 1 is a right front perspective view of a capsule filling machine according to a first embodiment of the new design; FIG. 2 is a left front perspective view thereof; FIG. 3 is front view thereof; FIG. 4 is a rear view thereof; FIG. 5 is a right side view thereof; FIG. 6 is a left side view thereof; FIG. 7 is a top view thereof; and, FIG. 8 is bottom view thereof.

**1 Claim, 8 Drawing Sheets**



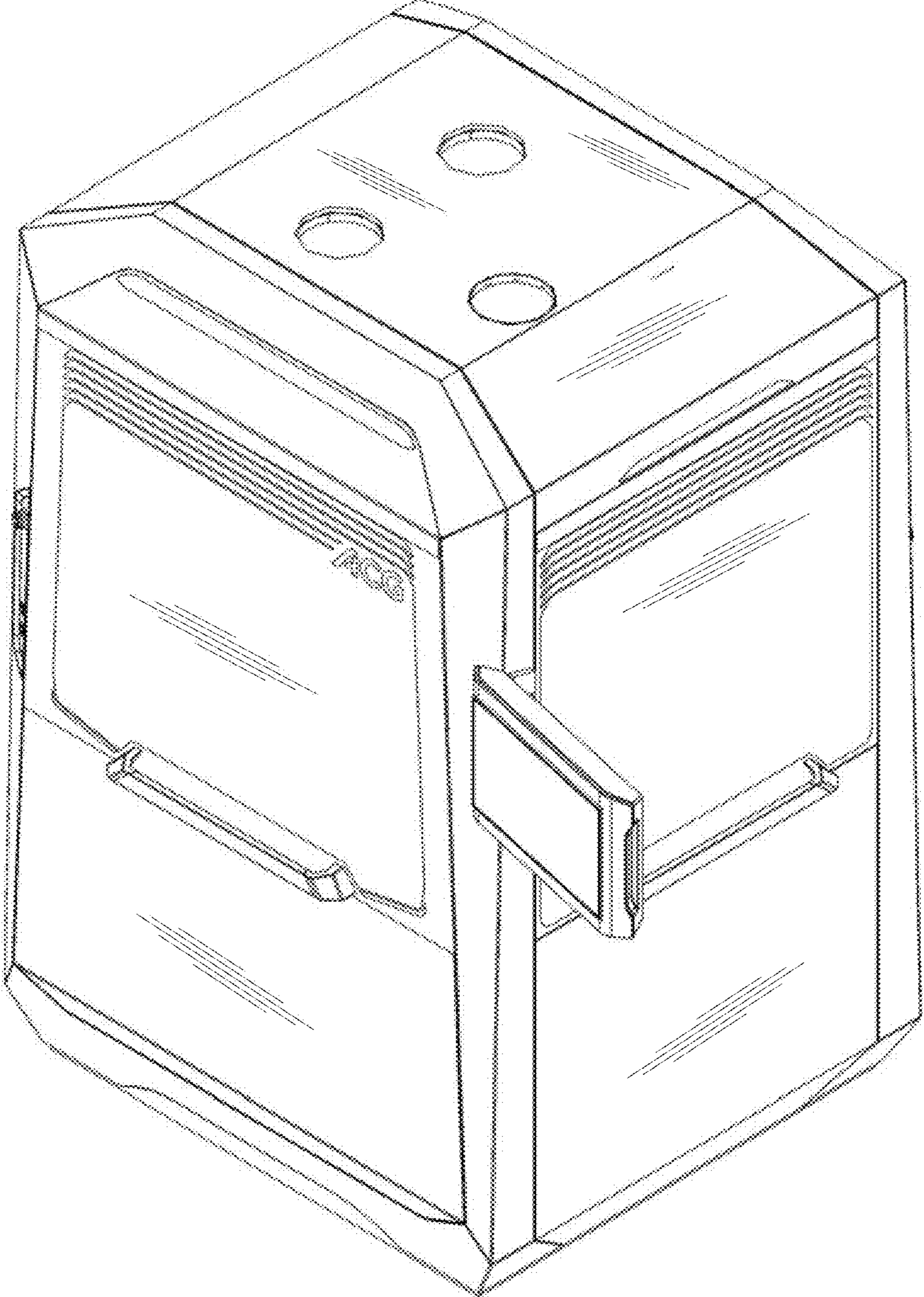


FIG. 1

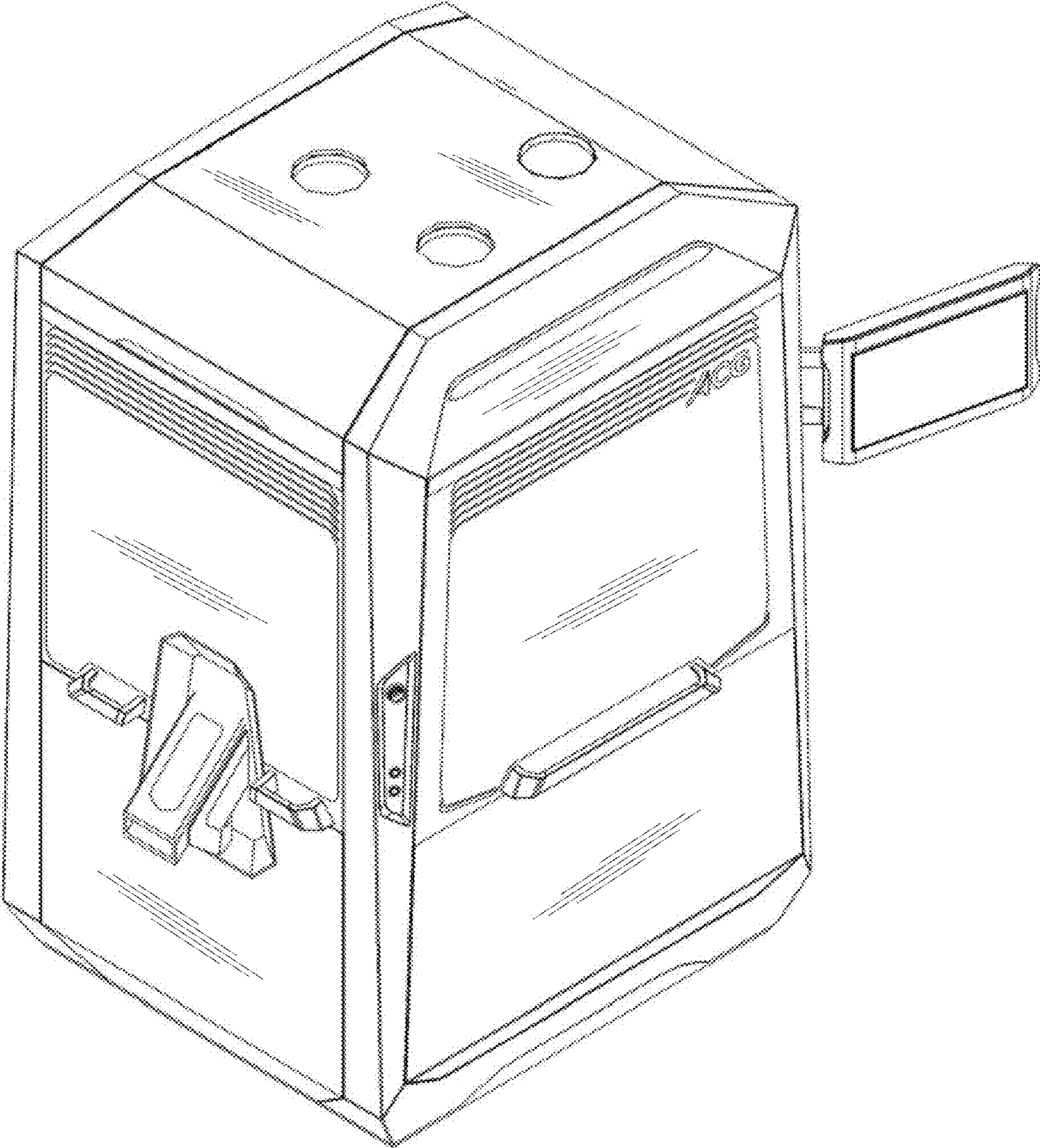


FIG. 2

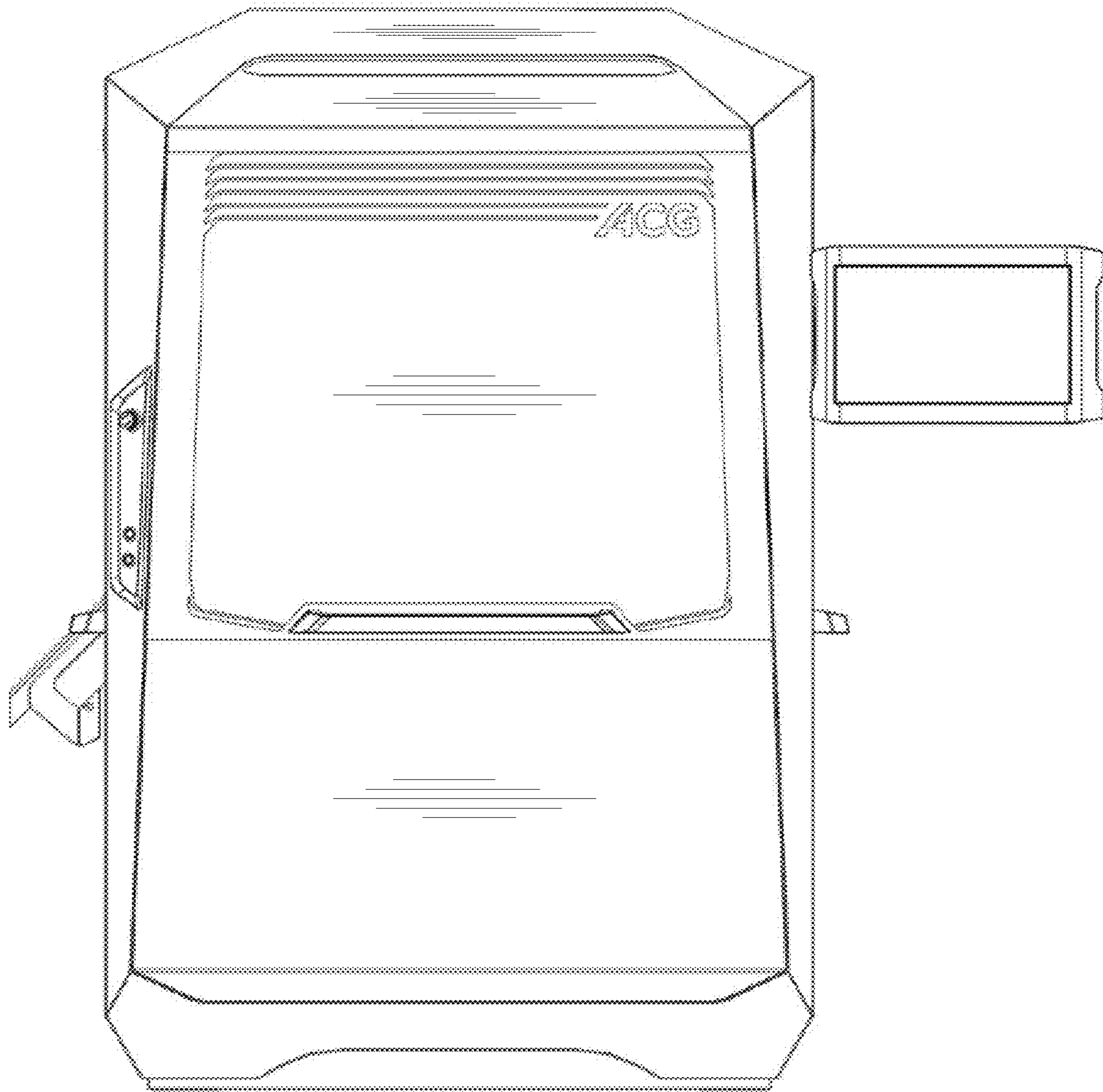


FIG. 3

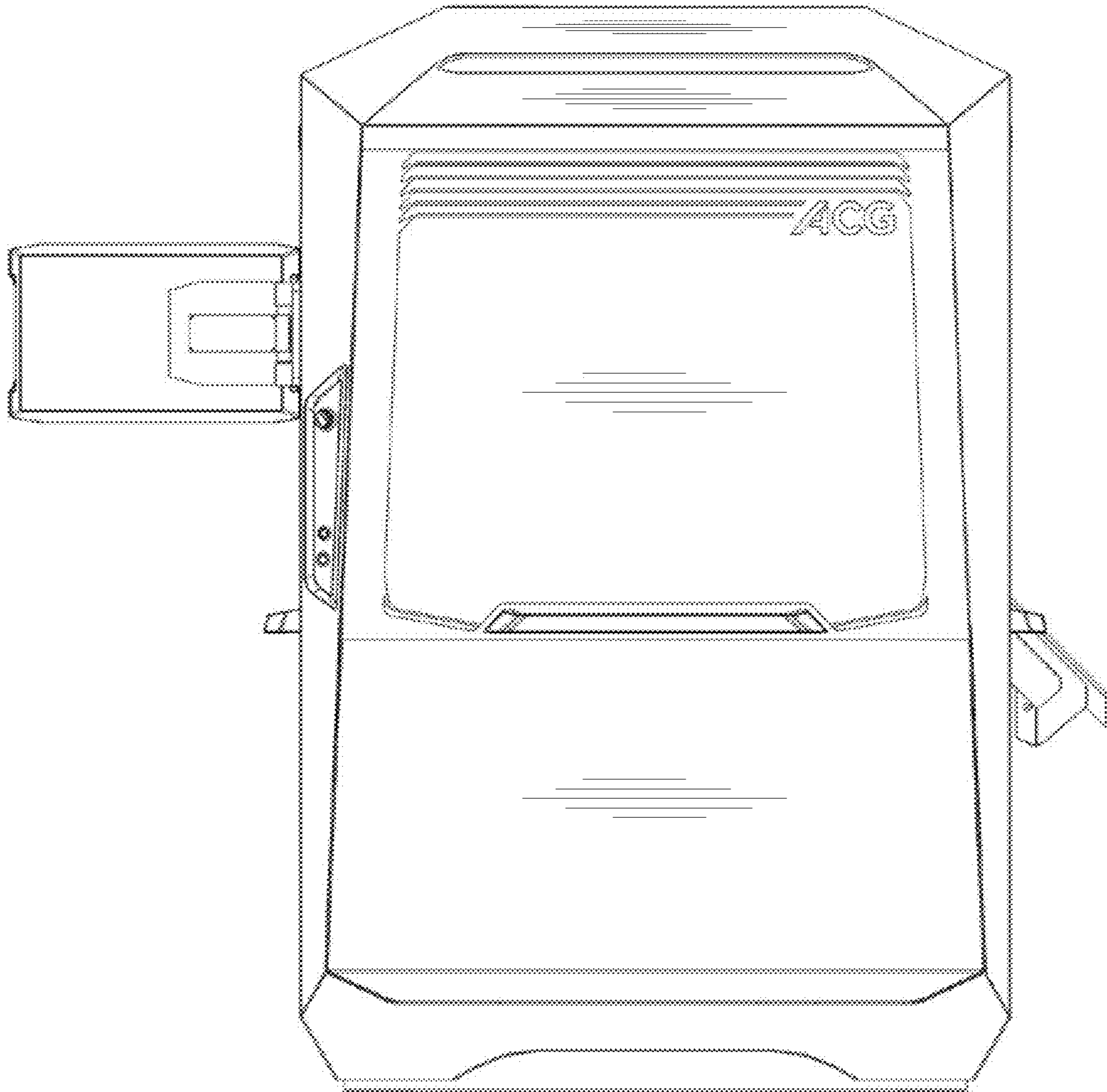


FIG. 4

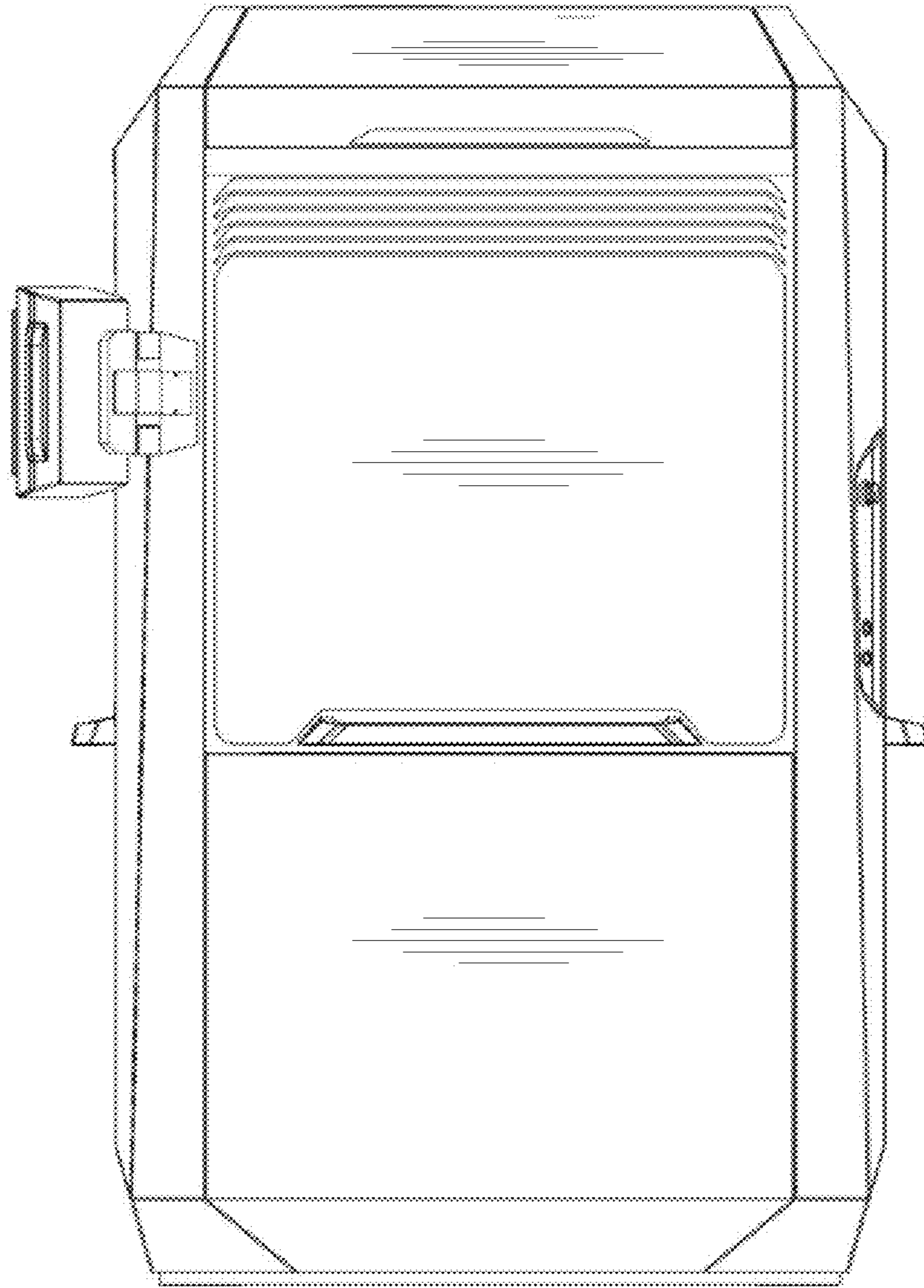


FIG. 5

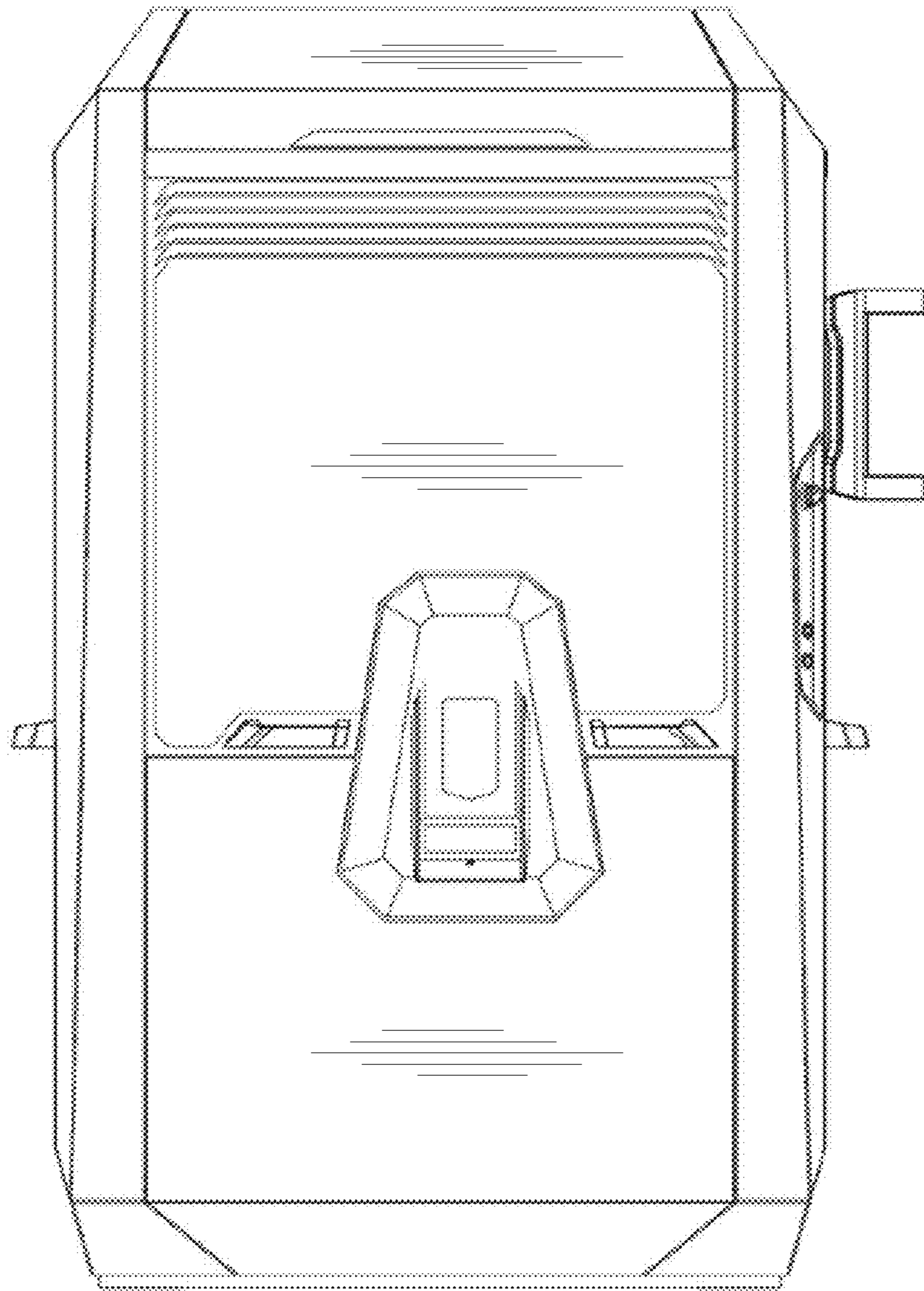


FIG. 6

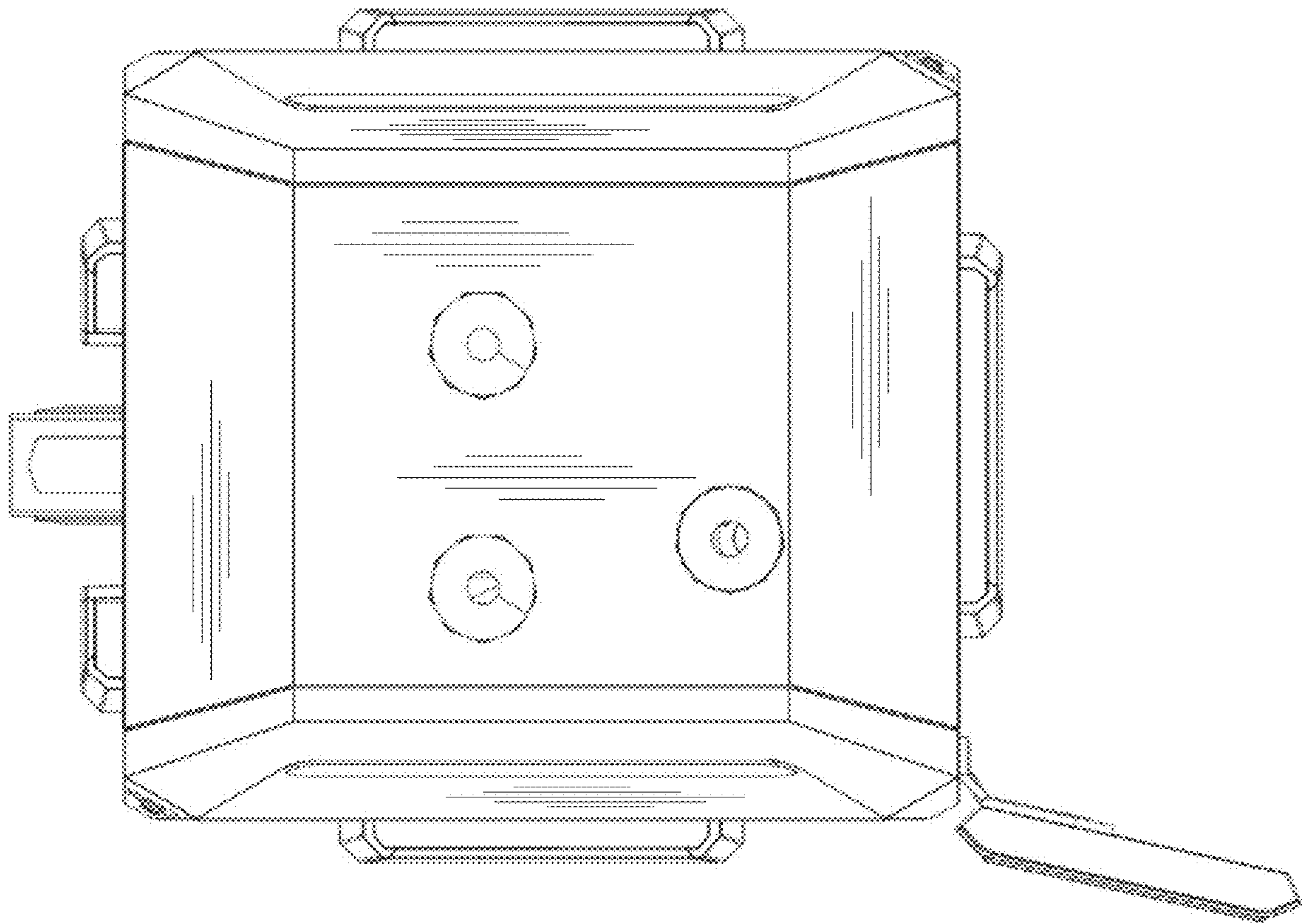


FIG. 7



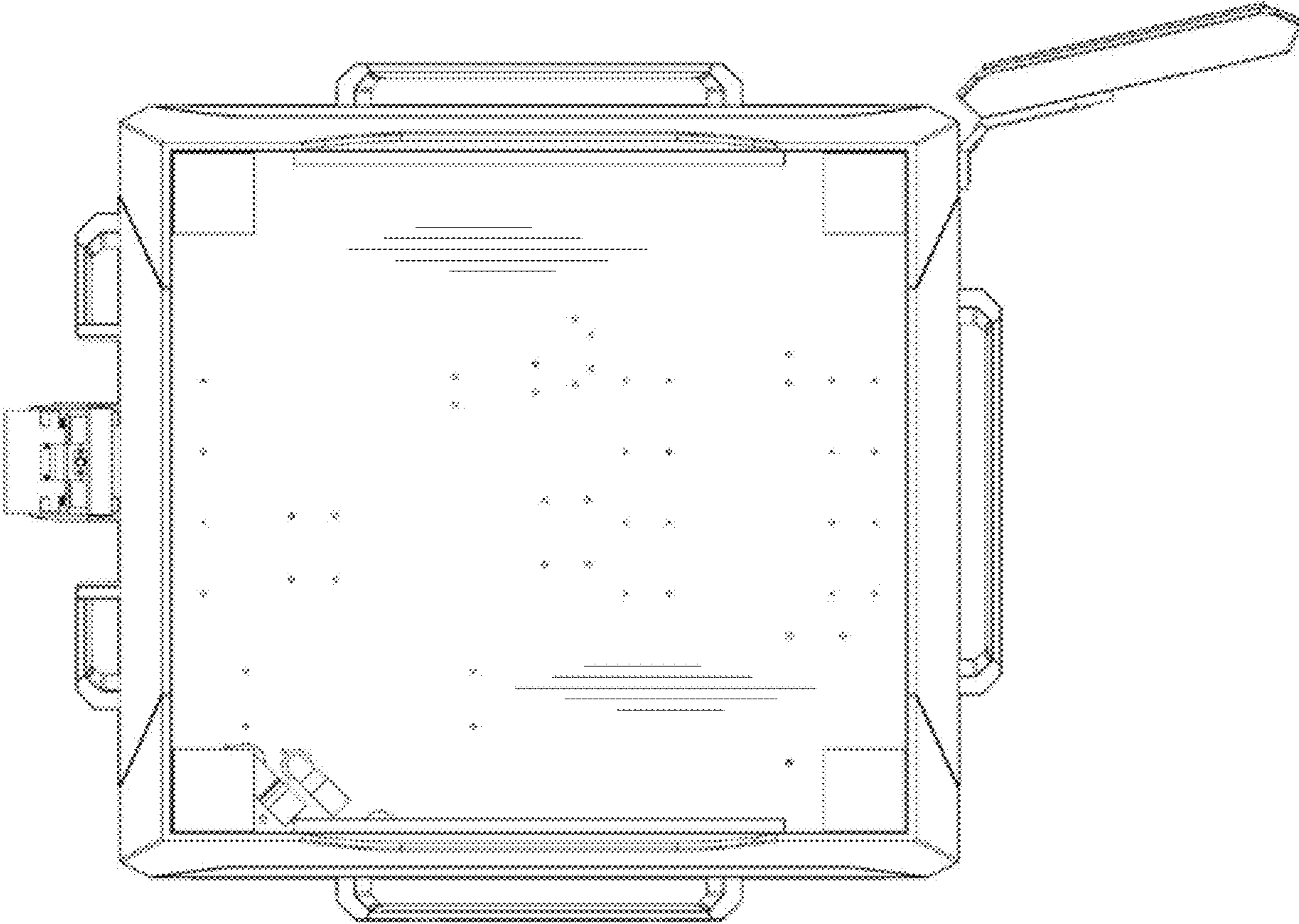


FIG. 8