



US00D916155S

(12) **United States Design Patent**  
**Arker**

(10) **Patent No.:** **US D916,155 S**

(45) **Date of Patent:** **\*\* Apr. 13, 2021**

(54) **PACKAGING MACHINE WITHOUT TOOL-LIFT**

(71) Applicant: **ErgoPack Deutschland GmbH**,  
Lauingen (DE)

(72) Inventor: **Karlheinz Arker**, Lauingen (DE)

(73) Assignee: **ErgoPack Deutschland GmbH**,  
Lauingen (DE)

(\*\*) Term: **15 Years**

(21) Appl. No.: **29/721,041**

(22) Filed: **Jan. 17, 2020**

(30) **Foreign Application Priority Data**

Jul. 22, 2019 (EM) ..... 006640686

(51) **LOC (13) Cl.** ..... **15-09**

(52) **U.S. Cl.**  
USPC ..... **D15/145**

(58) **Field of Classification Search**  
USPC ..... D8/41, 61, 67; D15/122, 145, 146, 199  
CPC ..... B65B 13/00; B65B 13/06; B65B 13/16;  
B65B 13/18; B65B 13/32; B65B 13/285;  
B65B 57/04; B65B 59/04; B65B 2210/12;  
E04G 21/122; E04G 21/123  
See application file for complete search history.

(56) **References Cited**

**U.S. PATENT DOCUMENTS**

D148,207 S \* 12/1947 Zimmermann et al. .... D15/145  
2,707,429 A \* 5/1955 Leslie, II ..... B65B 13/34  
100/12  
D210,244 S \* 2/1968 Brown ..... D15/145  
4,502,911 A \* 3/1985 Discavage ..... B65B 13/32  
100/33 PB  
D307,435 S \* 4/1990 Sakaki ..... D15/145  
D308,977 S \* 7/1990 Sakaki ..... D15/145

5,651,306 A \* 7/1997 Hoshino ..... B65B 13/22  
100/26  
5,809,873 A \* 9/1998 Chak ..... B65B 13/22  
100/26  
D424,078 S \* 5/2000 Chin-Chang ..... D15/145  
6,367,732 B1 \* 4/2002 Bobren ..... B65B 13/184  
242/564.4

(Continued)

**OTHER PUBLICATIONS**

Ergopack Deutschland GmbH, "Ergopack Brochure", 2017, p. 24,  
Publisher: ErgoPack Deutschland GmbH.

*Primary Examiner* — Patricia A Palasik

(74) *Attorney, Agent, or Firm* — Neugeboren O'Dowd PC

(57) **CLAIM**

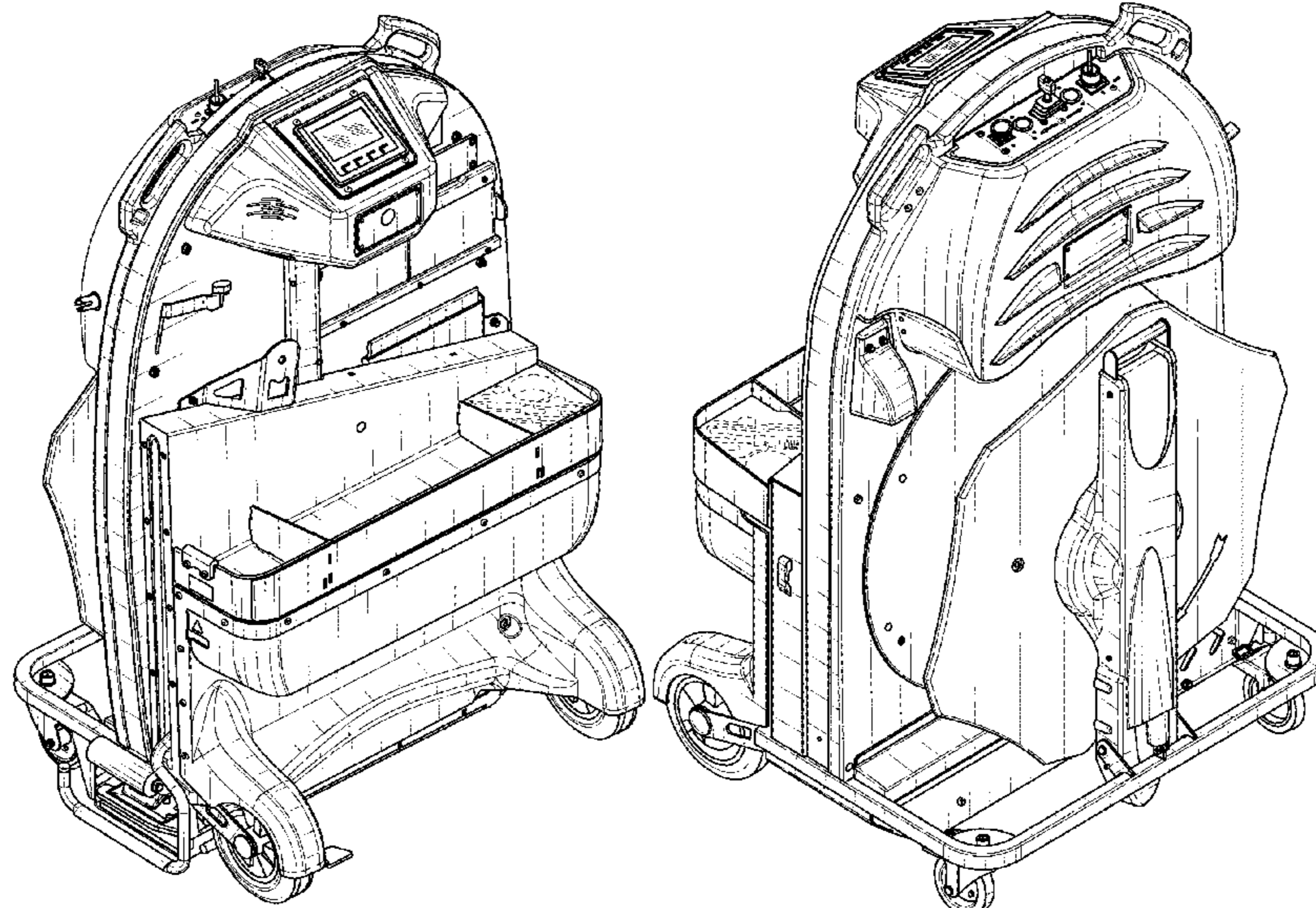
The ornamental design for a packaging machine without tool-lift, as shown and described.

**DESCRIPTION**

FIG. 1 is a top, front perspective view of a packaging machine;  
FIG. 2 is a top, back perspective view of the packaging machine in FIG. 1;  
FIG. 3 is a front view of the packaging machine in FIG. 1;  
FIG. 4 is a back view of the packaging machine in FIG. 1;  
FIG. 5 is a first side view of the packaging machine in FIG. 1;  
FIG. 6 is a second side view of the packaging machine in FIG. 1;  
FIG. 7 is a top view of the packaging machine in FIG. 1; and,  
FIG. 8 is a bottom view of the packaging machine in FIG. 1.

The broken lines showing portions of the design in all figures are included for the purpose of illustrating portions of the packaging machine without tool-lift and form no part of the claimed design.

**1 Claim, 8 Drawing Sheets**



(56)

References Cited

U.S. PATENT DOCUMENTS

6,463,721	B1 *	10/2002	Su	.....	B65B 13/22	100/29
6,568,159	B2 *	5/2003	Kawai	.....	B65B 13/04	100/25
D488,822	S *	4/2004	Shibazaki	.....	D15/145	
6,789,469	B1 *	9/2004	Tipton	.....	B65B 27/08	100/18
6,820,402	B1 *	11/2004	Haberstroh	.....	B65B 13/04	100/26
6,931,986	B1 *	8/2005	Liu	.....	B65B 13/22	100/32
6,994,019	B1 *	2/2006	Liu	.....	B65B 13/08	100/26
D547,779	S *	7/2007	Shimajima	.....	D15/145	
7,263,928	B1 *	9/2007	Holden	.....	B65B 13/06	100/26
7,270,055	B1 *	9/2007	Haberstroh	.....	B65B 13/22	100/26
D643,450	S *	8/2011	Verhoeven	.....	D15/145	
D827,001	S *	8/2018	Nelson	.....	D15/145	
2003/0009995	A1 *	1/2003	Pearson	.....	B65B 13/18	53/589
2003/0025610	A1 *	2/2003	Helmrich	.....	B65B 13/06	340/9.17
2004/0098953	A1 *	5/2004	Devine	.....	B65B 59/04	53/589
2004/0255562	A1 *	12/2004	Haberstroh	.....	B65B 59/04	53/589
2004/0255797	A1 *	12/2004	Bobren	.....	B65B 13/06	100/26
2007/0163452	A1 *	7/2007	Bobren	.....	B65B 13/06	100/26
2010/0154661	A1 *	6/2010	Bobren	.....	B65B 13/185	100/4
2011/0120321	A1 *	5/2011	Oehm	.....	B65B 13/06	100/3
2011/0146505	A1 *	6/2011	Schwede	.....	B65B 59/04	100/8
2013/0098252	A1 *	4/2013	Haberstroh	.....	B65B 13/18	100/8
2013/0276415	A1 *	10/2013	Haberstroh	.....	B65B 13/18	53/589
2014/0083310	A1 *	3/2014	Hohn	.....	B65B 13/18	100/2

\* cited by examiner



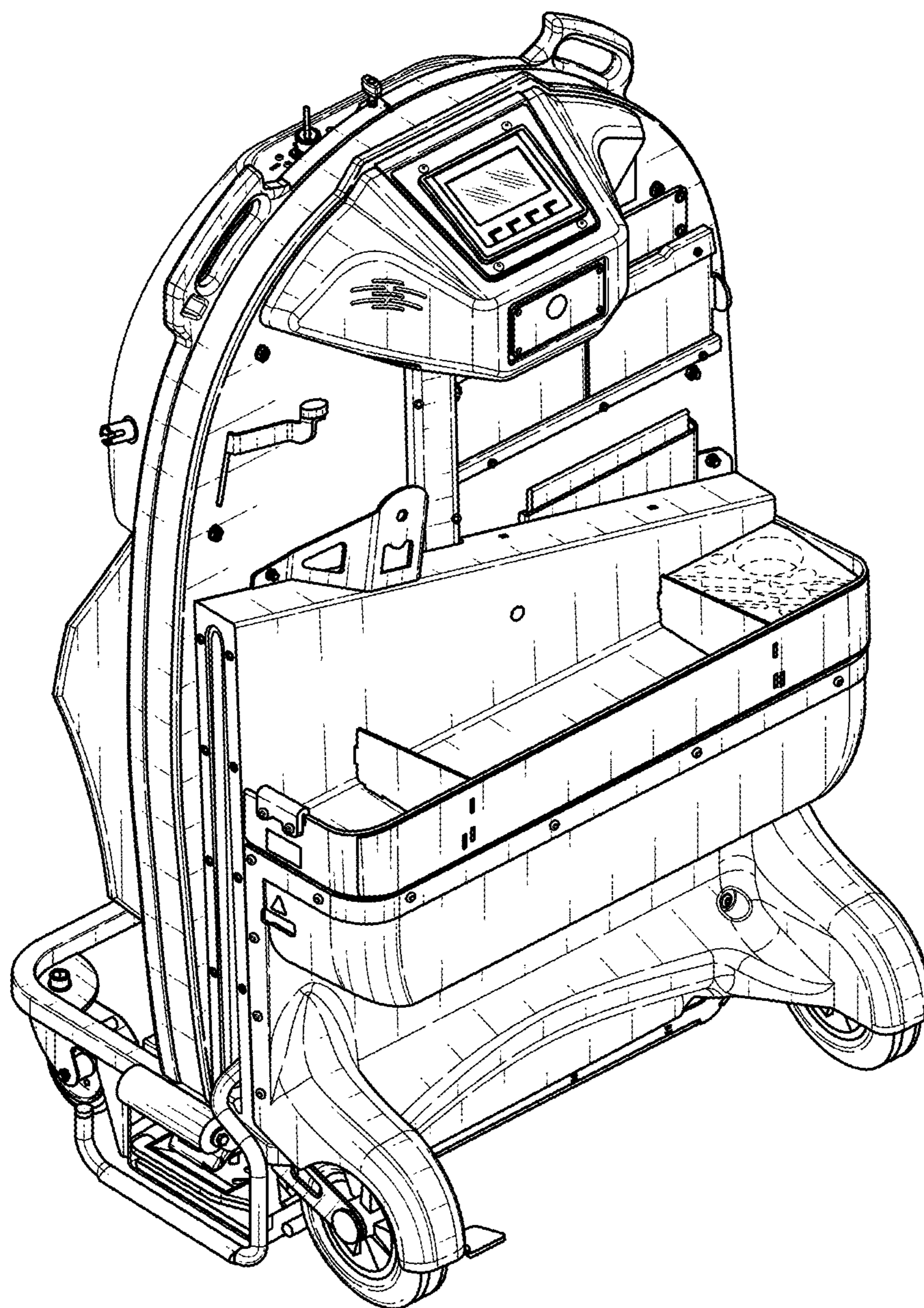


FIG. 1

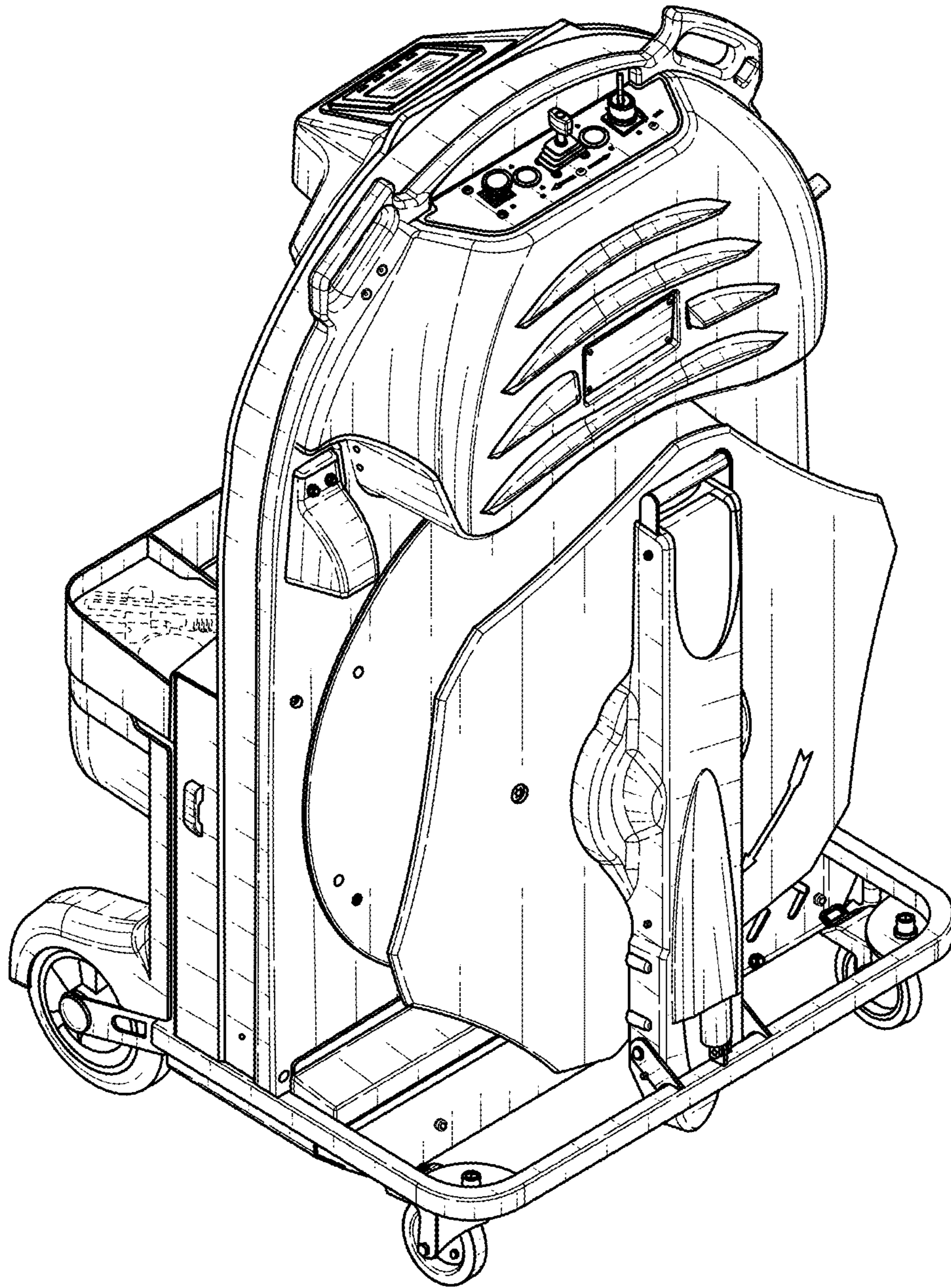


FIG. 2



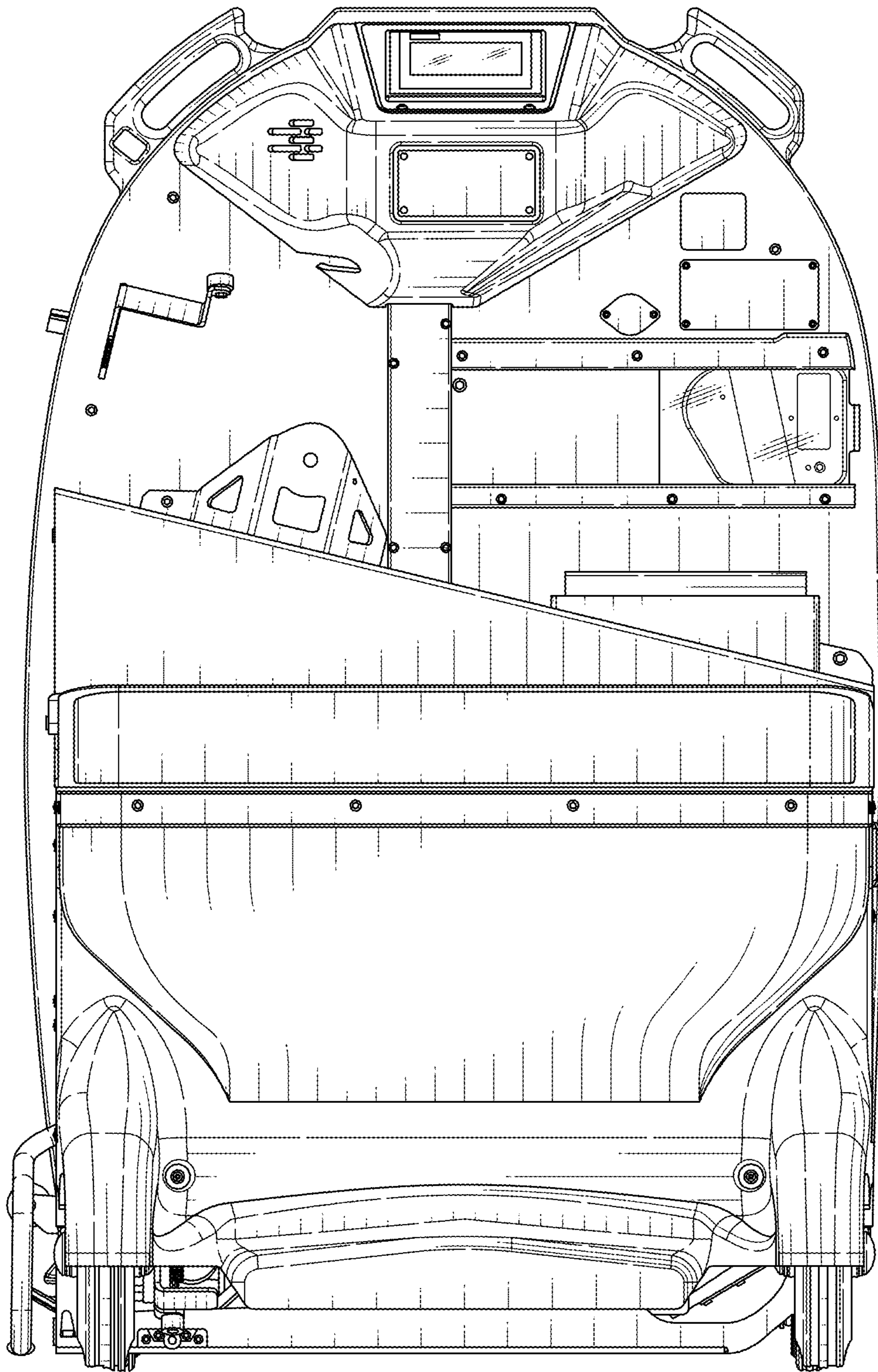


FIG. 3

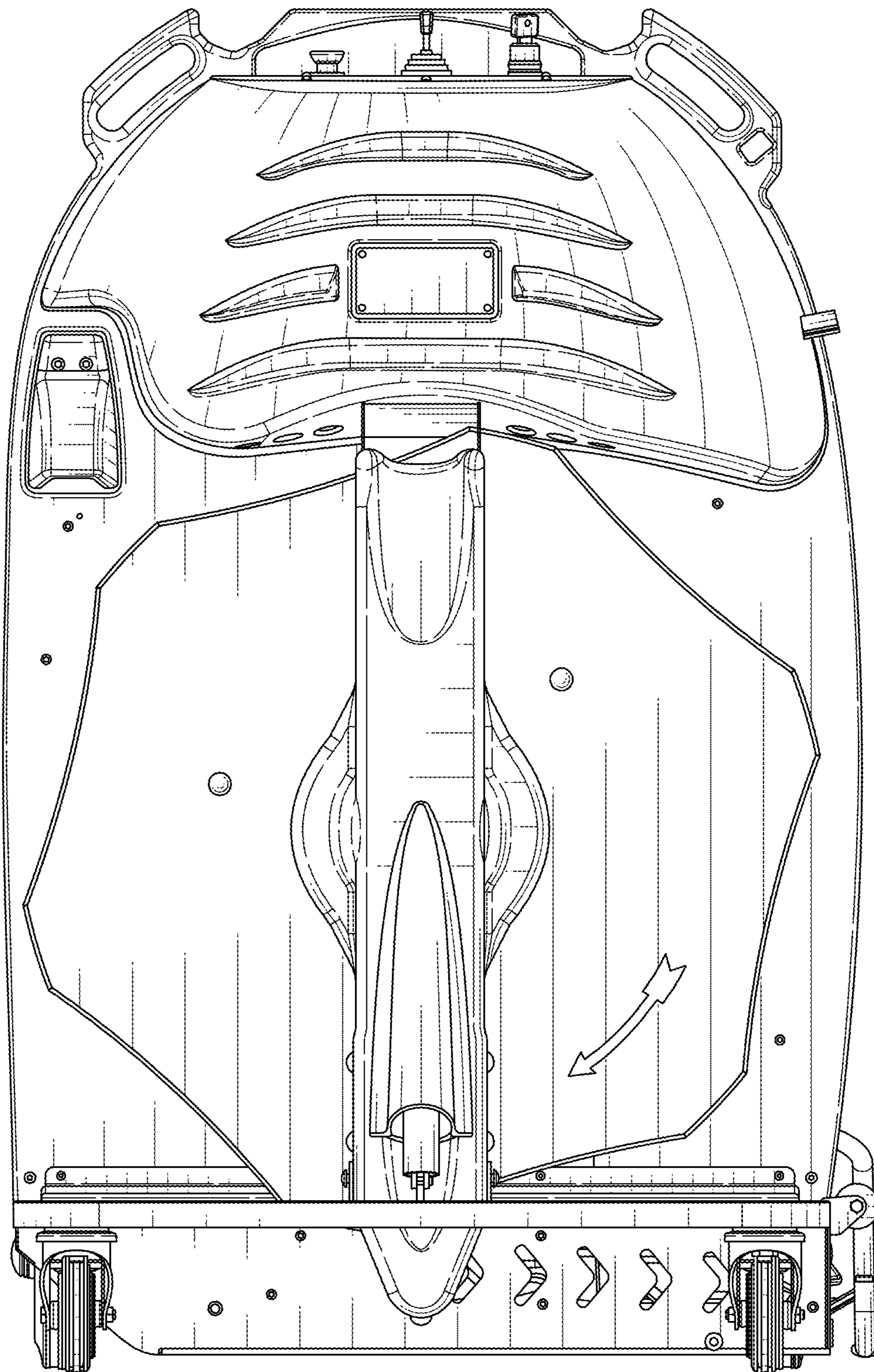


FIG. 4



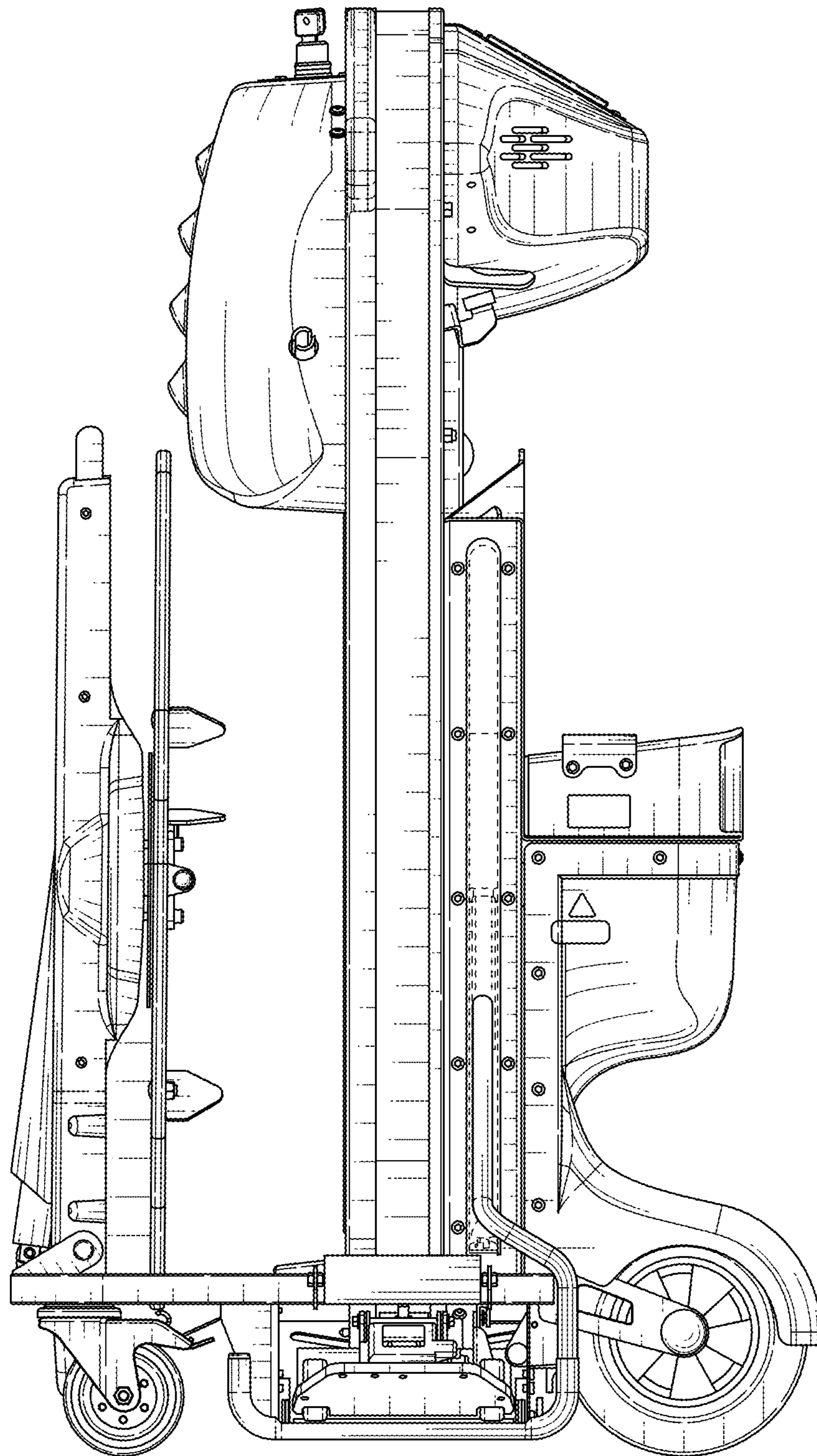


FIG. 5

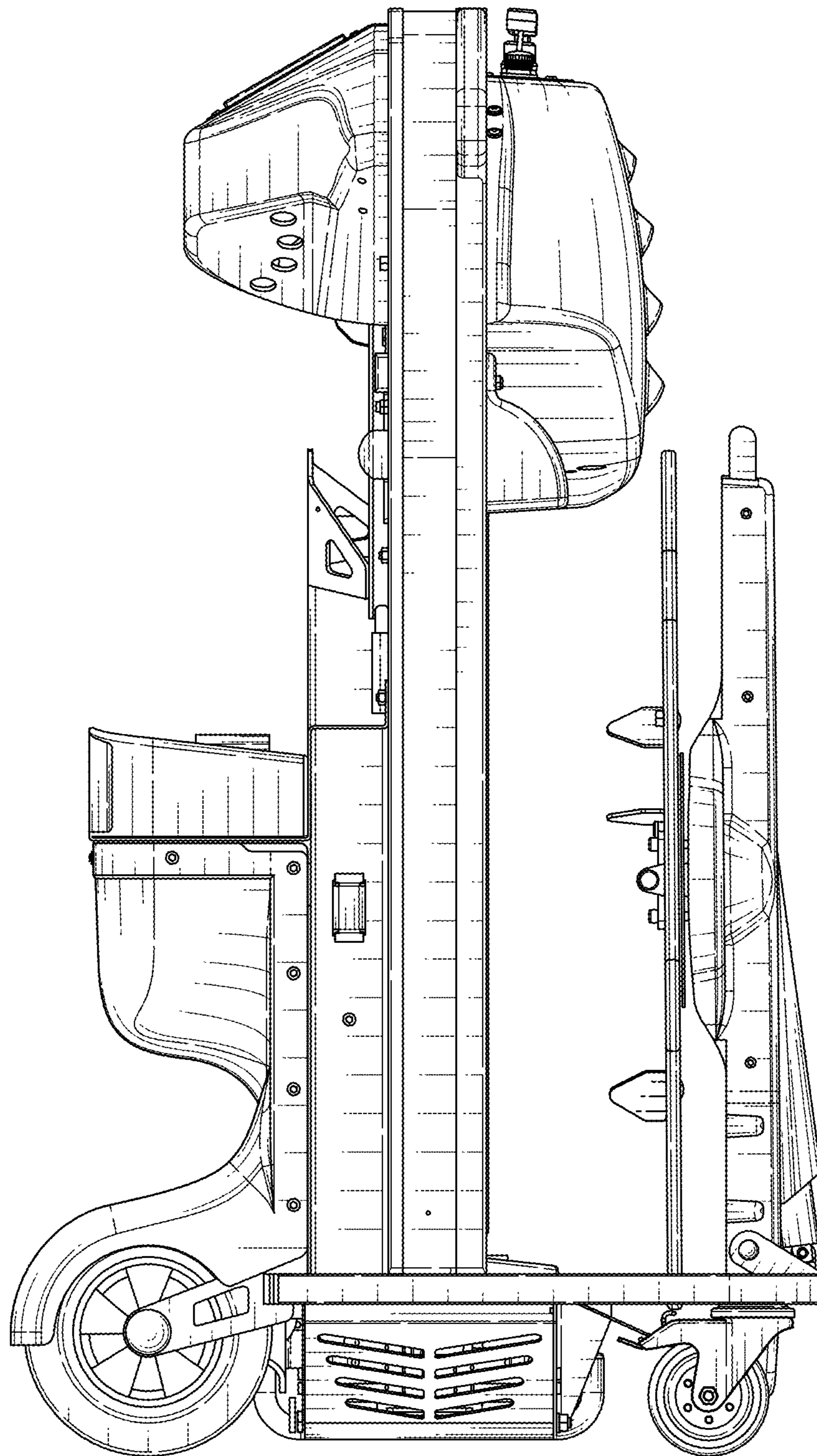


FIG. 6



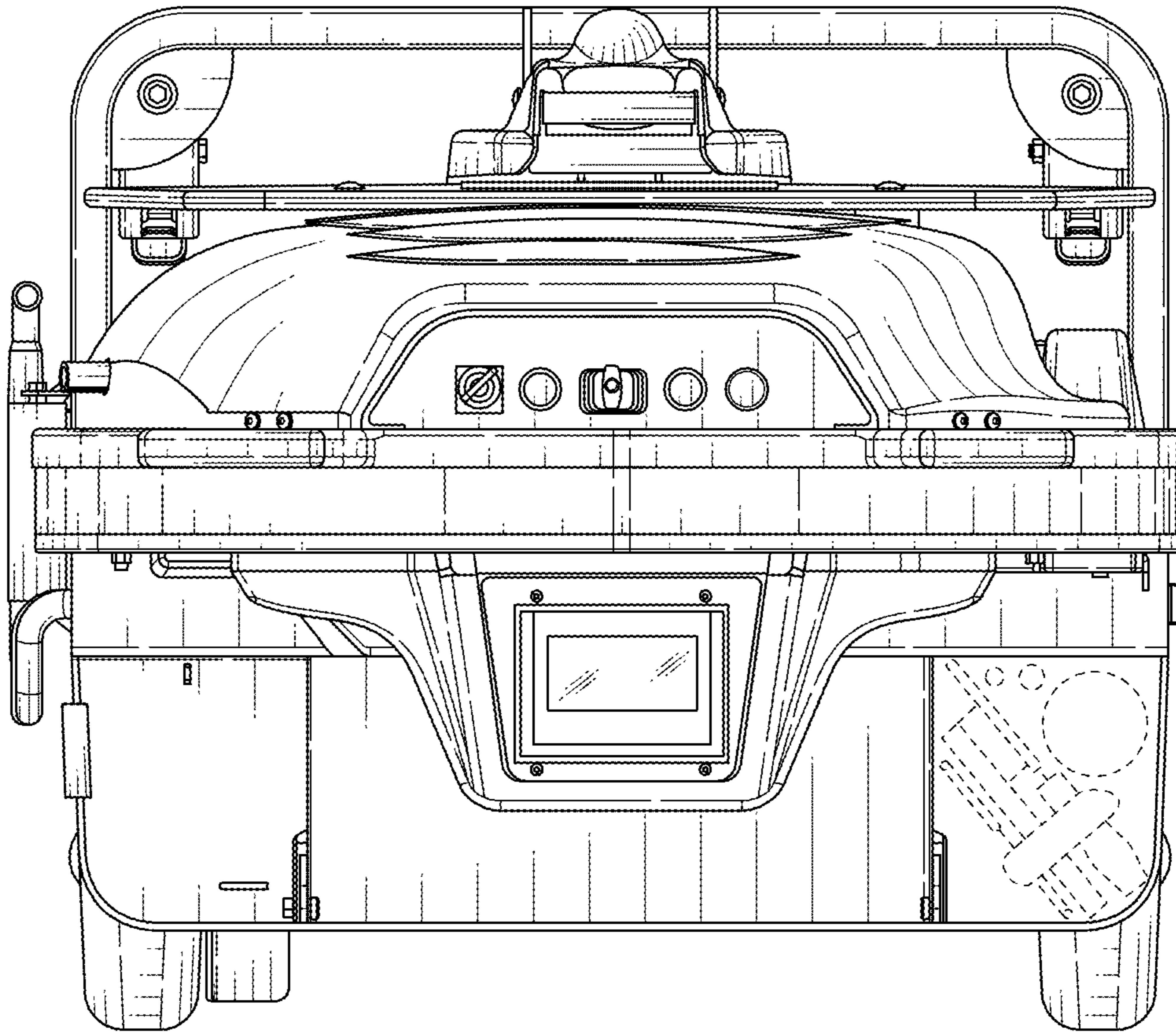


FIG. 7

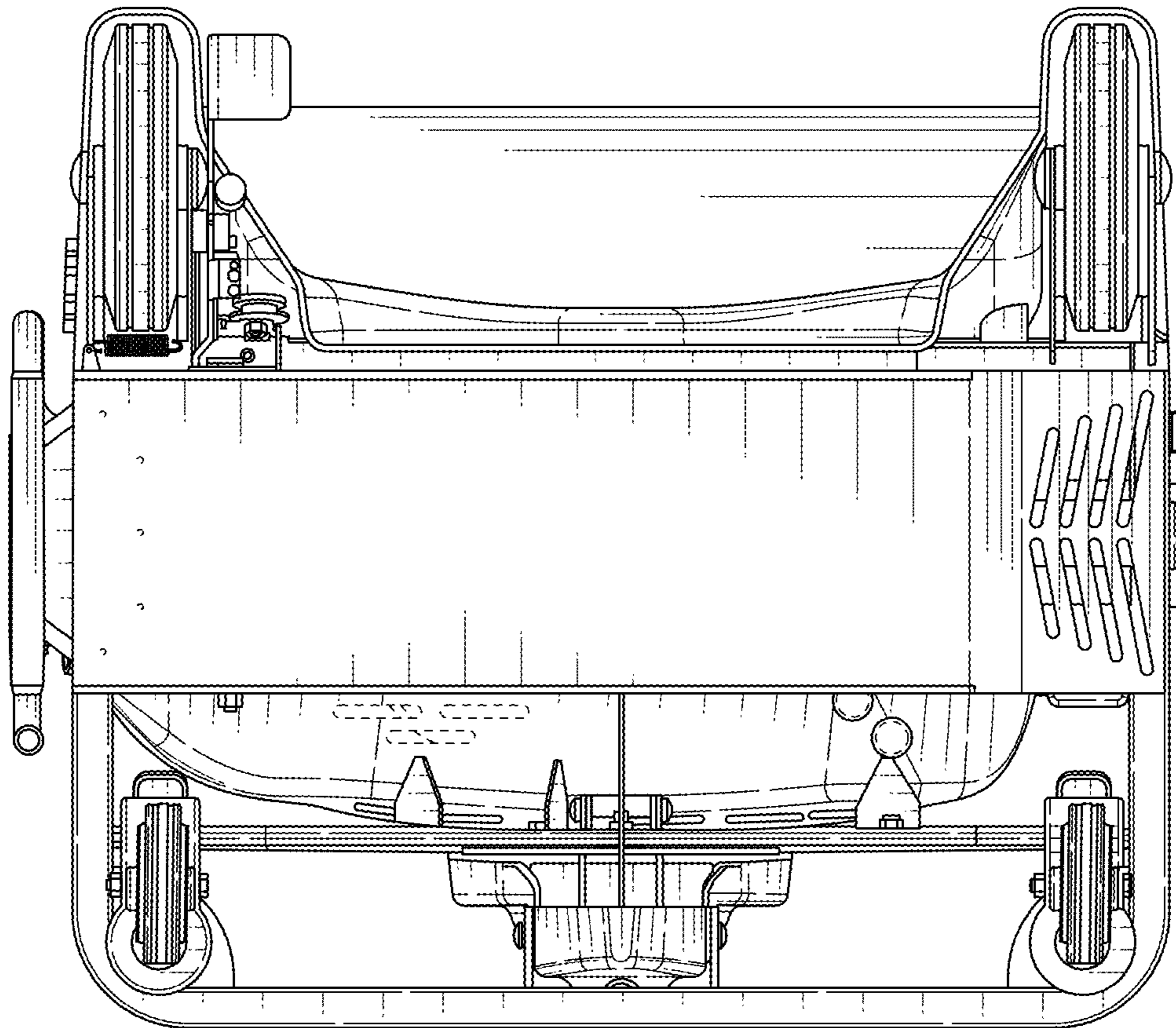


FIG. 8