



US00D916151S

(12) **United States Design Patent**  
**Perez**

(10) **Patent No.:** **US D916,151 S**

(45) **Date of Patent:** **\*\* Apr. 13, 2021**

(54) **MOLD FOR CONSUMABLE MEDICATION**

(71) Applicant: **BIOSRX, INC.**, Folsom, CA (US)

(72) Inventor: **Ramiro M. Perez**, Folsom, CA (US)

(73) Assignee: **BIOSRX, INC.**, Folsom, CA (US)

(\*\*) Term: **15 Years**

(21) Appl. No.: **29/702,216**

(22) Filed: **Aug. 16, 2019**

(51) **LOC (13) Cl.** ..... **15-09**

(52) **U.S. Cl.**

USPC ..... **D15/136; D24/101**

(58) **Field of Classification Search**

USPC ..... D7/368, 369, 410, 672-677;  
D15/135-137; D24/100-102

CPC .... B29C 45/33; B29C 45/4421; G01N 13/00;  
G01N 33/15; G01N 2013/006; Y10S  
425/05

See application file for complete search history.

(56) **References Cited**

**U.S. PATENT DOCUMENTS**

4,516,923	A *	5/1985	Lifshitz	.....	A21C 11/00 249/12
4,887,790	A *	12/1989	Wilkinson	.....	A61J 3/06 249/52
D343,628	S *	1/1994	Seiholtz	.....	D15/136
D356,803	S *	3/1995	Hupp	.....	D15/136
D442,978	S *	5/2001	Marshall	.....	D15/136
D457,788	S *	5/2002	Hornsby, IV	.....	D15/90
D505,434	S *	5/2005	Bordignon	.....	D15/136
D688,104	S *	8/2013	Muspratt-Williams	.....	D7/672
D689,746	S *	9/2013	Zorovich	.....	D7/672
D724,904	S *	3/2015	Chinon	.....	D7/672
D809,575	S *	2/2018	Ishizaki	.....	D15/136

D811,454	S *	2/2018	Sancilio	.....	B30B 3/00 D15/136
D833,489	S *	11/2018	Ishizaki	.....	D15/136
D834,624	S *	11/2018	Ishizaki	.....	D15/136

(Continued)

*Primary Examiner* — Michael C Stout

*Assistant Examiner* — Fritzgerald L Butac

(74) *Attorney, Agent, or Firm* — Knobbe, Martens, Olson & Bear, LLP

(57) **CLAIM**

The ornamental design for a mold for consumable medication, as shown and described.

**DESCRIPTION**

FIG. 1 is a top perspective view of a first embodiment of the mold for consumable medication in accordance with the present invention.

FIG. 2 is a top view of the first embodiment of the mold for consumable medication of FIG. 1 in accordance with the present invention.

FIG. 3 is a bottom view of the first embodiment of the mold for consumable medication of FIG. 1.

FIG. 4 is a back side view of the first embodiment of the mold for consumable medication of FIG. 1.

FIG. 5 is a front side view of the first embodiment of the mold for consumable medication of FIG. 1.

FIG. 6 is a right side view of the first embodiment of the mold for consumable medication of FIG. 1.

FIG. 7 is a left side view of the first embodiment of the mold for consumable medication of FIG. 1.

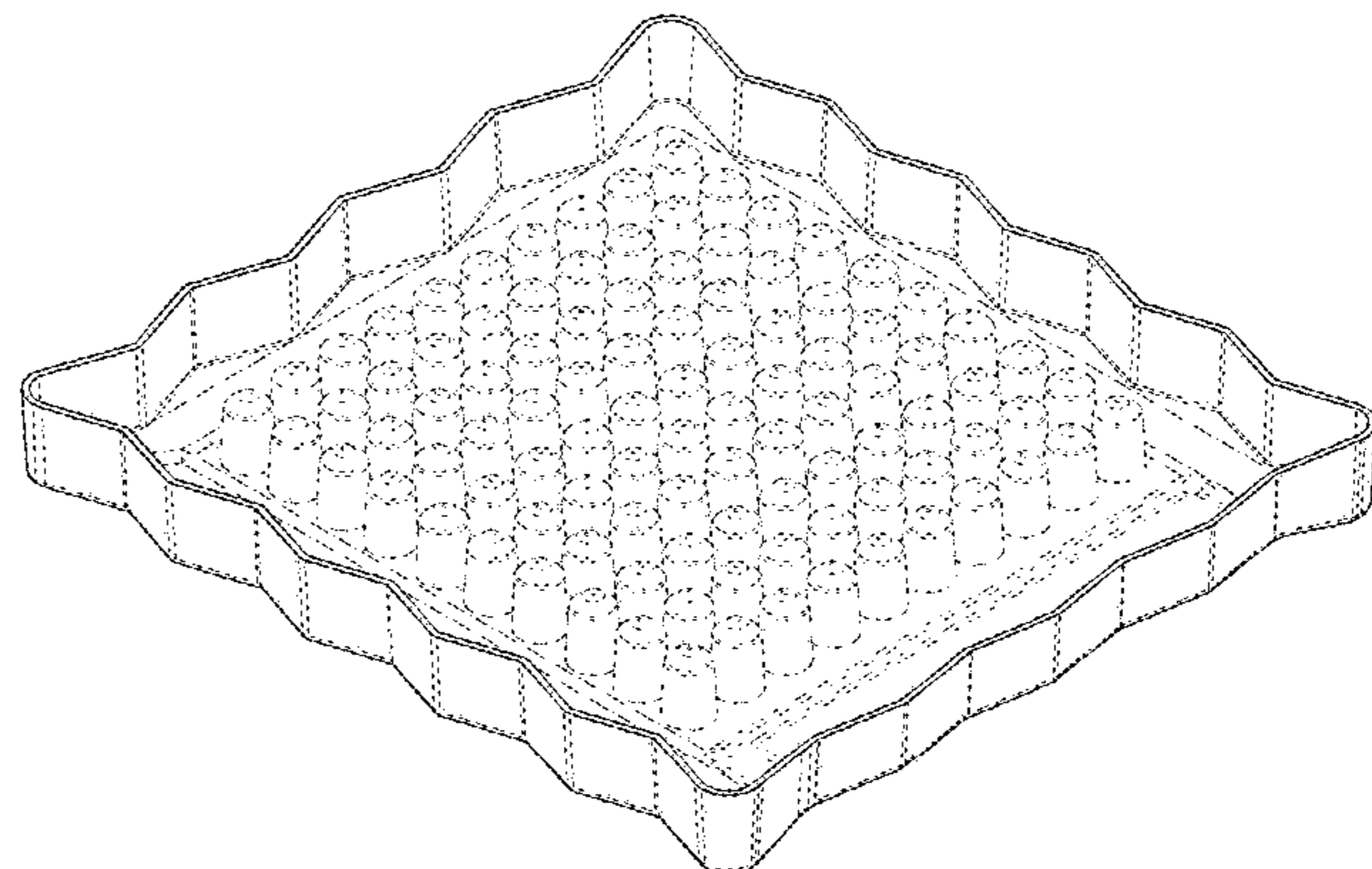
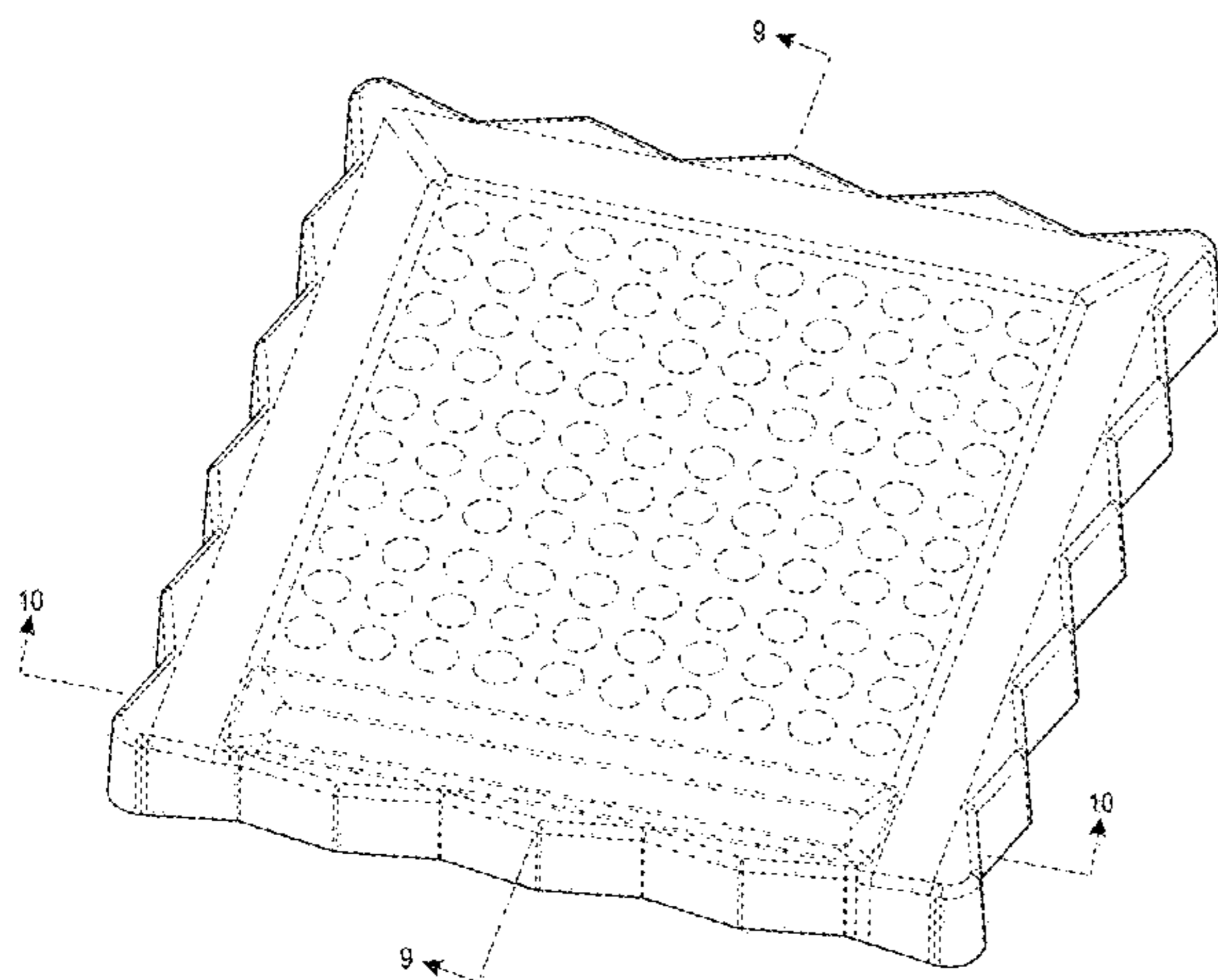
FIG. 8 is a bottom perspective view of the first embodiment of the mold for consumable medication of FIG. 1.

FIG. 9 is a cross-sectional view of the first embodiment of the mold for consumable medication of FIG. 1 as viewed from the right side; and,

FIG. 10 is a cross-section view of the first embodiment of the mold for consumable medication of FIG. 1 as viewed from the front side.

The broken lines show portions of a mold for consumable medication that form no part of the claimed design.

**1 Claim, 7 Drawing Sheets**



(56)

**References Cited**

U.S. PATENT DOCUMENTS

D839,326 S \* 1/2019 Ishizaki ..... D15/136  
2007/0154526 A1\* 7/2007 Hickey ..... A61K 9/2072  
424/439  
2010/0286791 A1\* 11/2010 Goldsmith ..... A61B 17/0057  
623/23.7

\* cited by examiner

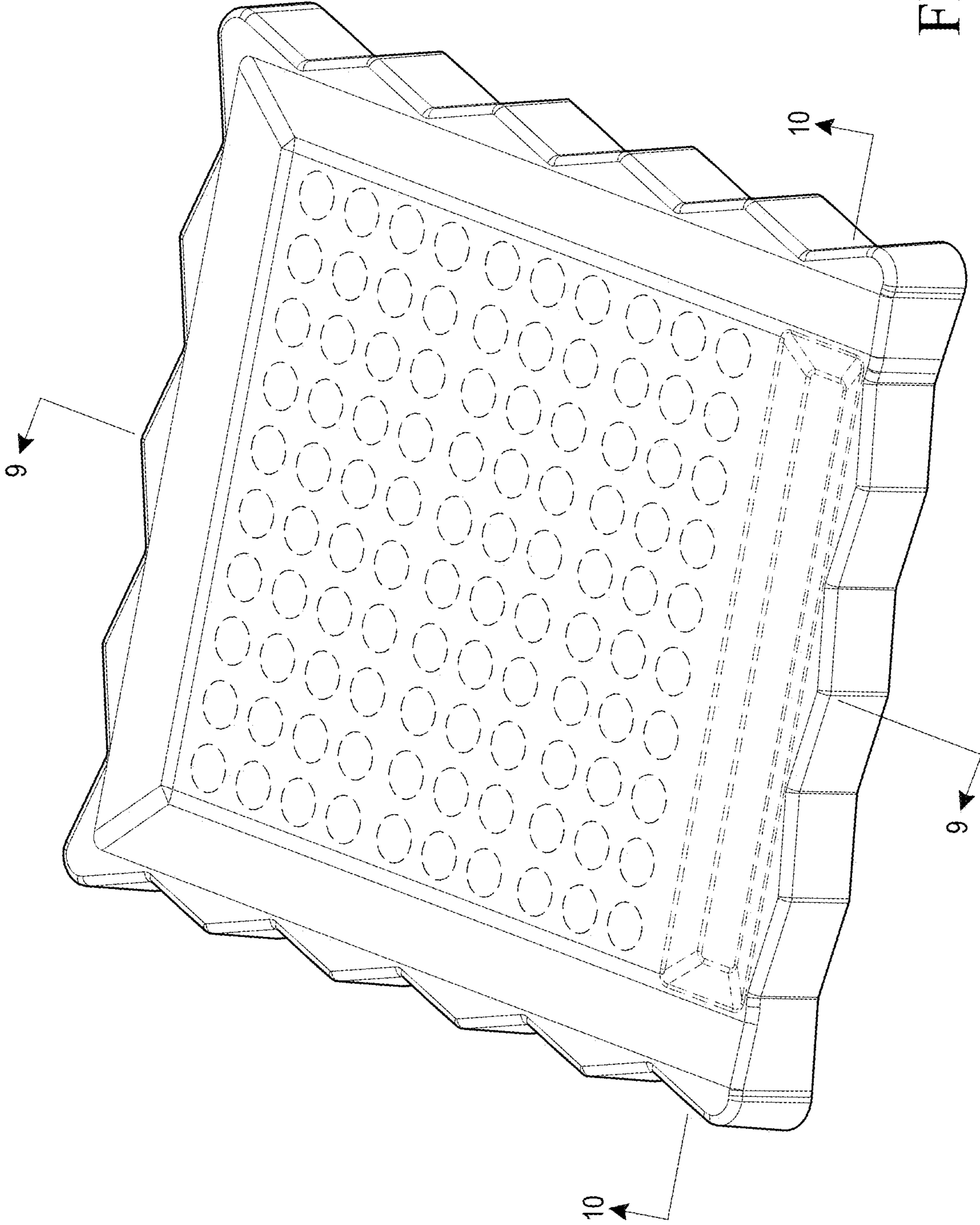


FIG. 1

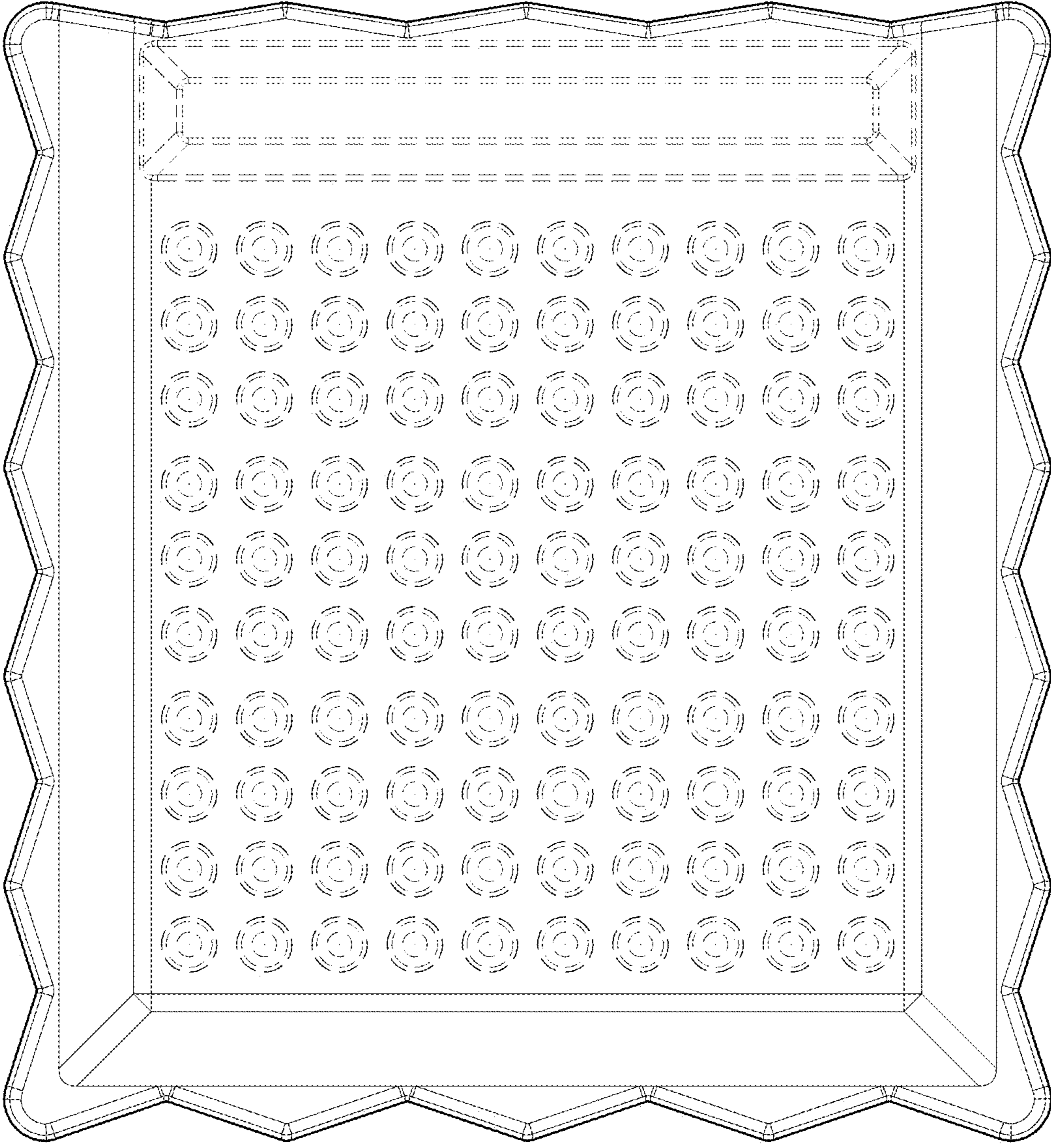


FIG. 2

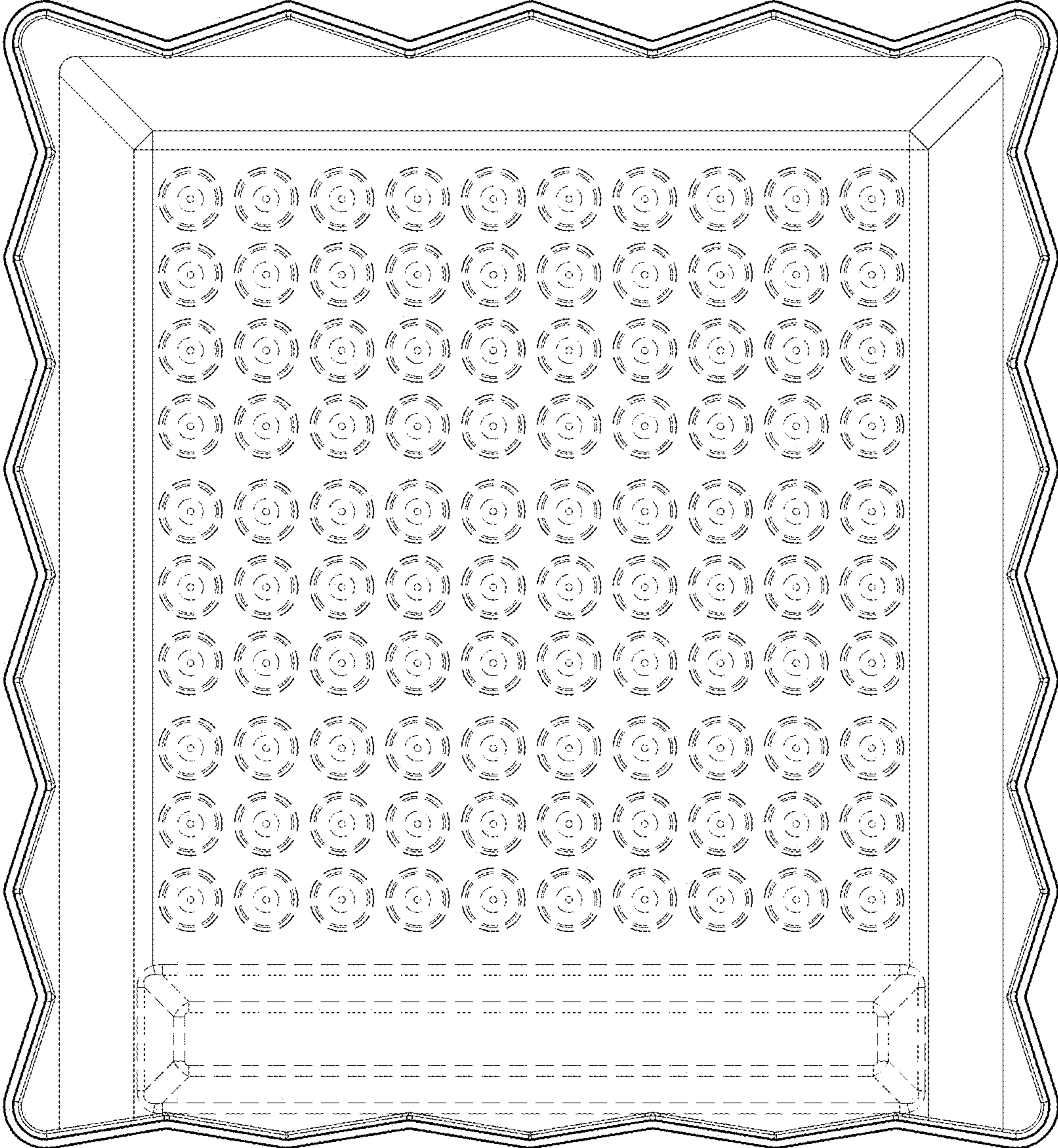


FIG. 3

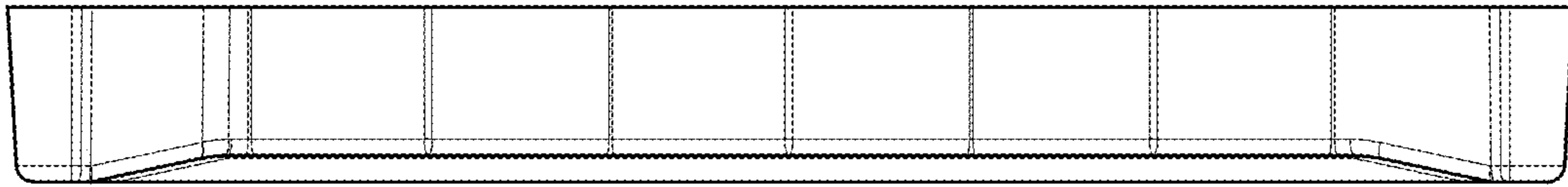


FIG. 4

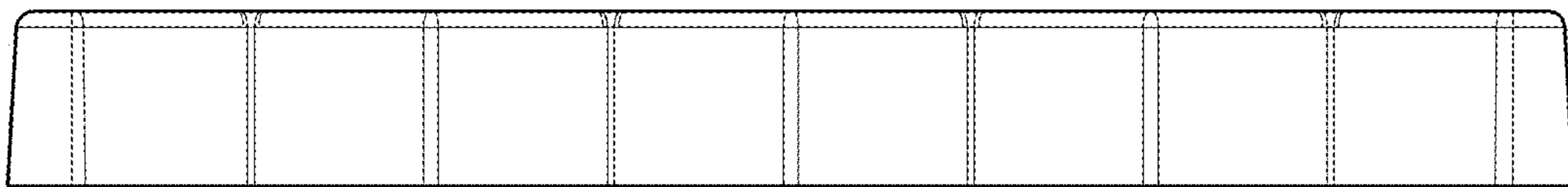


FIG. 5

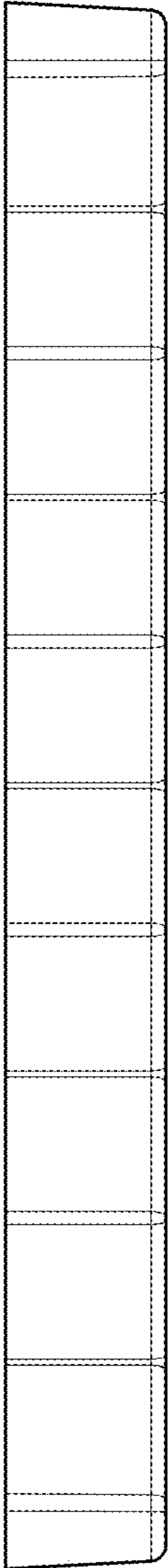


FIG. 6

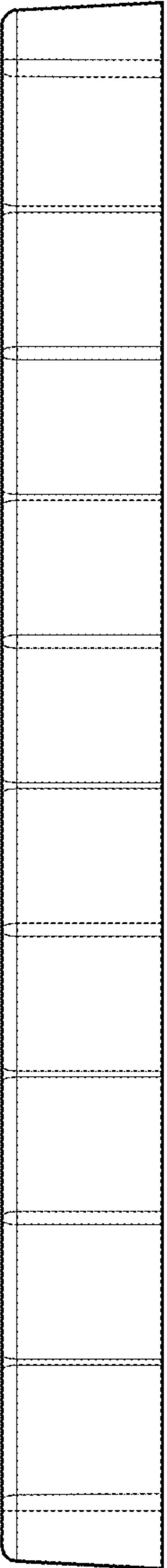


FIG. 7

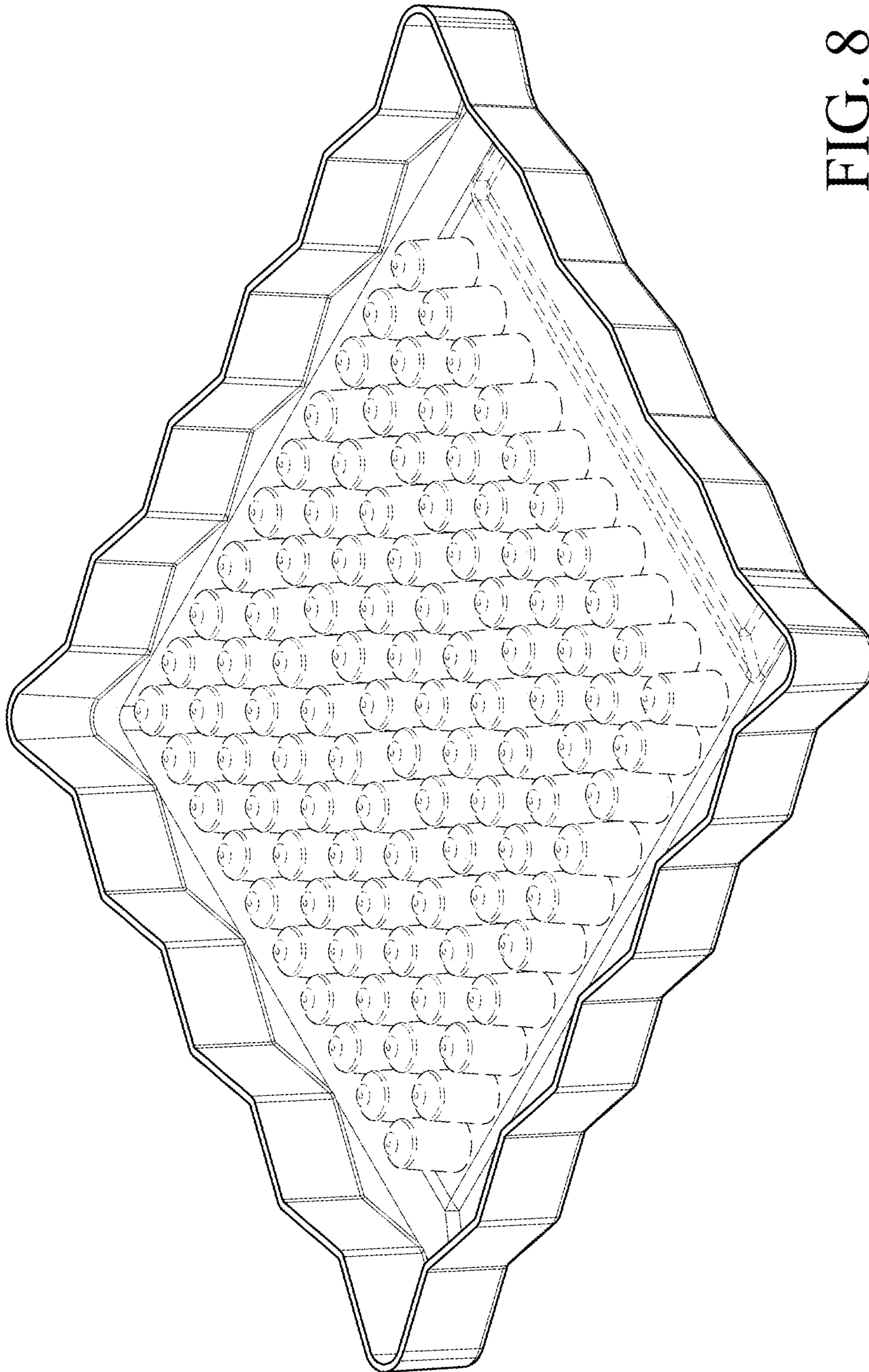


FIG. 8



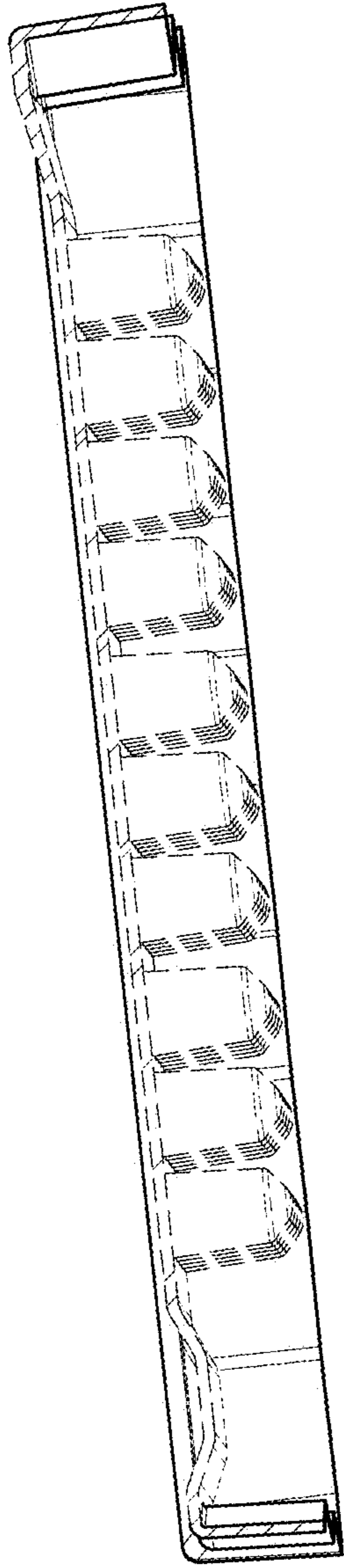


FIG. 9

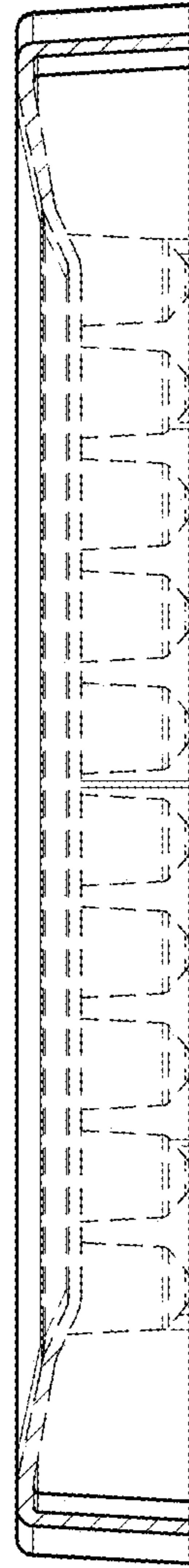


FIG. 10