



US00D916149S

(12) **United States Design Patent**
Sauter et al.

(10) **Patent No.:** **US D916,149 S**

(45) **Date of Patent:** **** Apr. 13, 2021**

(54) **LASER IMPINGEMENT COOLER**

(71) Applicant: **PANASONIC INTELLECTUAL
PROPERTY MANAGEMENT CO.,
LTD**, Osaka (JP)

(72) Inventors: **Matthew Sauter**, Boston, MA (US);
Bryan Lochman, Somerville, MA
(US); **John Kenneth Leavitt**, Bradford,
MA (US); **Bien Chann**, Merrimack, NH
(US)

(73) Assignee: **PANASONIC INTELLECTUAL
PROPERTY MANAGEMENT CO.,
LTD.**, Osaka (JP)

(**) Term: **15 Years**

(21) Appl. No.: **29/679,656**

(22) Filed: **Feb. 8, 2019**

(51) **LOC (13) Cl.** **15-09**

(52) **U.S. Cl.**
USPC **D15/127; D15/138**

(58) **Field of Classification Search**
USPC D15/122, 127
CPC H01L 23/4735; H01L 2924/00; H01L
2924/0002; H01S 3/042; H01S 3/0407;
Y10S 165/904; Y10S 165/908
See application file for complete search history.

(56) **References Cited**

U.S. PATENT DOCUMENTS

5,659,459 A * 8/1997 Wakabayashi B41J 29/377
174/51
5,835,345 A * 11/1998 Staskus H01S 5/02423
361/699
9,291,404 B2 * 3/2016 Tamura F28F 3/02

2003/0131972 A1* 7/2003 Cosley F28F 3/02
165/80.4
2006/0175041 A1* 8/2006 Johnson H01S 3/042
165/80.2
2006/0243238 A1* 11/2006 Anezaki F02D 35/022
123/143 B

(Continued)

Primary Examiner — Patricia A Palasik
(74) *Attorney, Agent, or Firm* — Morgan, Lewis &
Bockius LLP

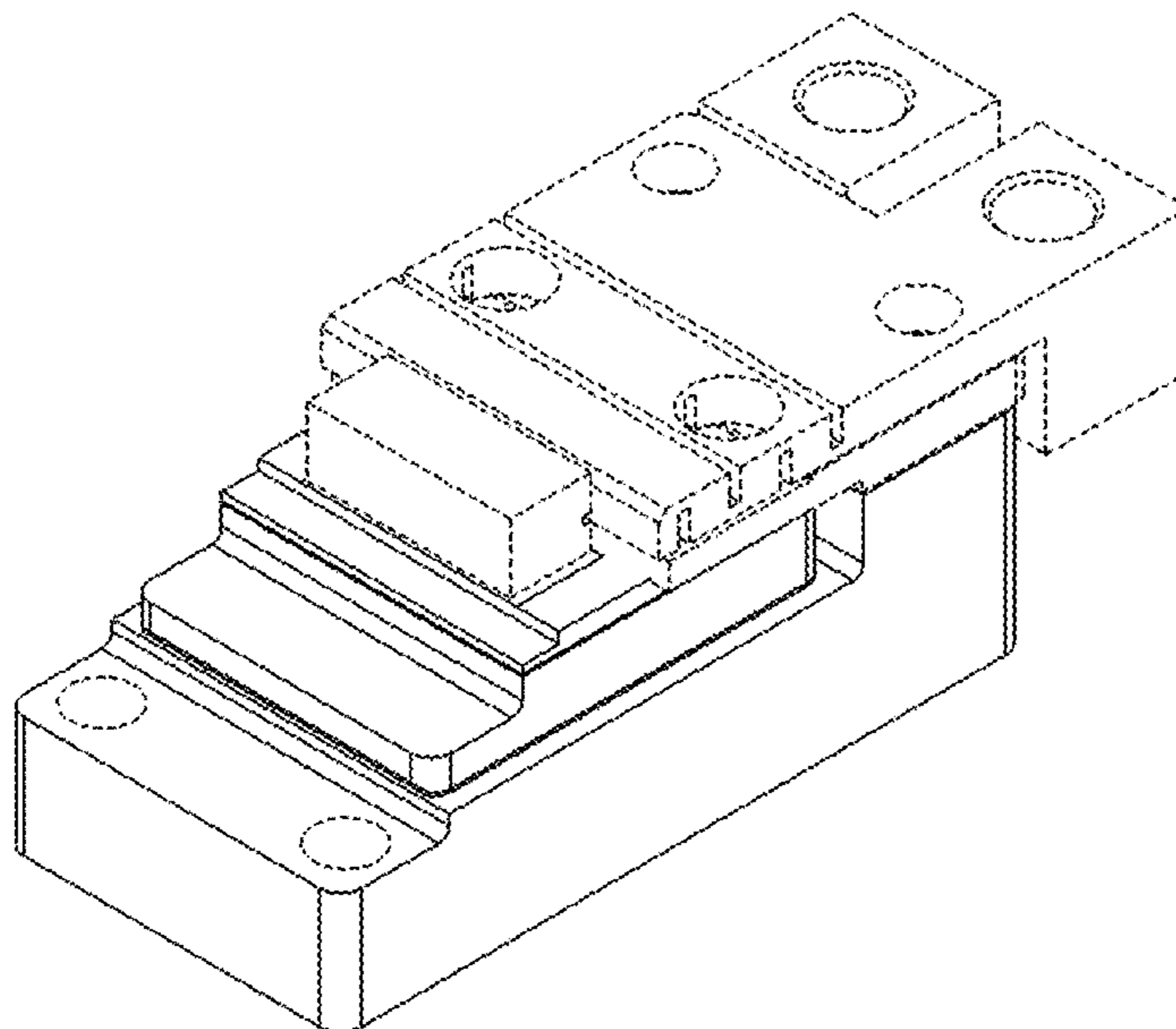
(57) **CLAIM**

The ornamental design for a laser impingement cooler,
substantially as shown and described.

DESCRIPTION

FIG. 1 is a perspective view of a laser impingement cooler
incorporating the design and depicting optional electrode
contacts in broken lines;
FIG. 2 is a front view of the embodiment of FIG. 1;
FIG. 3 is a back view of the embodiment of FIG. 1;
FIG. 4 is a left-side elevation view of the embodiment of
FIG. 1;
FIG. 5 is a right-side elevation view of the embodiment of
FIG. 1;
FIG. 6 is a top view of the embodiment of FIG. 1;
FIG. 7 is a bottom view of the embodiment of FIG. 1;
FIG. 8 is a perspective view of a laser impingement cooler
incorporating the design and omitting the optional electrode
contacts depicted in FIG. 1 for clarity of disclosure;
FIG. 9 is a front view of the embodiment of FIG. 8;
FIG. 10 is a back view of the embodiment of FIG. 8;
FIG. 11 is a left-side elevation view of the embodiment of
FIG. 8;
FIG. 12 is a right-side elevation view of the embodiment of
FIG. 8;
FIG. 13 is a top view of the embodiment of FIG. 8; and,
FIG. 14 is a bottom view of the embodiment of FIG. 8.
The broken lines in the drawings depict portions of the laser
impingement cooler that form no part of the claimed design.

1 Claim, 14 Drawing Sheets



(56)

References Cited

U.S. PATENT DOCUMENTS

2009/0274176 A1* 11/2009 O'Shaughnessy ... G01N 21/255
372/9
2009/0284913 A1* 11/2009 Wakabayashi H04L 65/607
361/679.54
2011/0026551 A1* 2/2011 Stephens, IV H01S 5/02423
372/35
2012/0177073 A1* 7/2012 Stephens, IV H01S 5/02423
372/35
2014/0041612 A1* 2/2014 Furutani F02P 23/04
123/143 B
2016/0028210 A1* 1/2016 O'Shaughnessy H01S 3/2383
372/34
2016/0094009 A1* 3/2016 Izumiya H01S 3/1611
123/143 B
2017/0250516 A1* 8/2017 Kiyosawa H01S 3/094
2018/0269656 A1* 9/2018 Hagita F02P 23/04

* cited by examiner

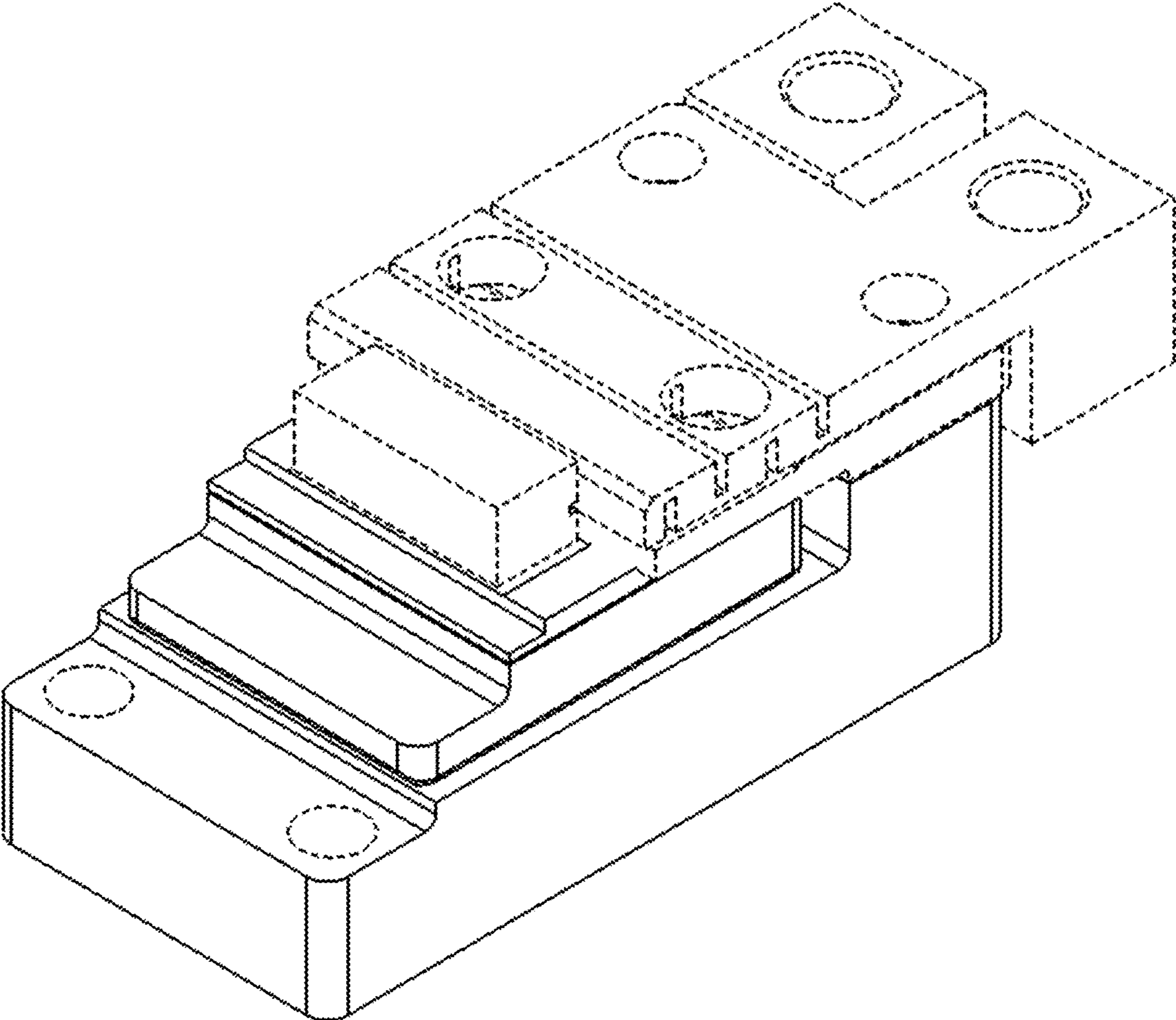


FIG. 1

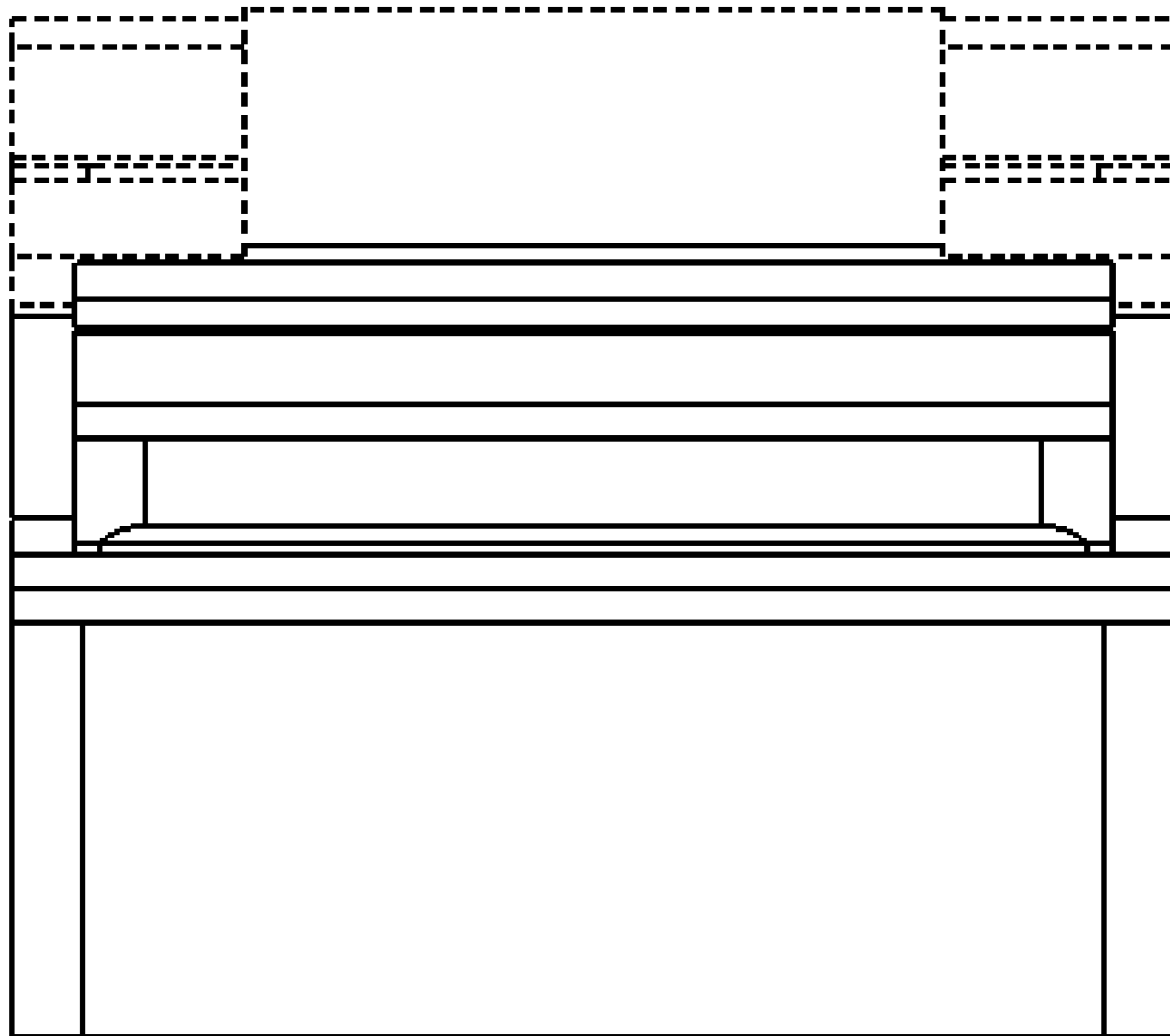


FIG. 2

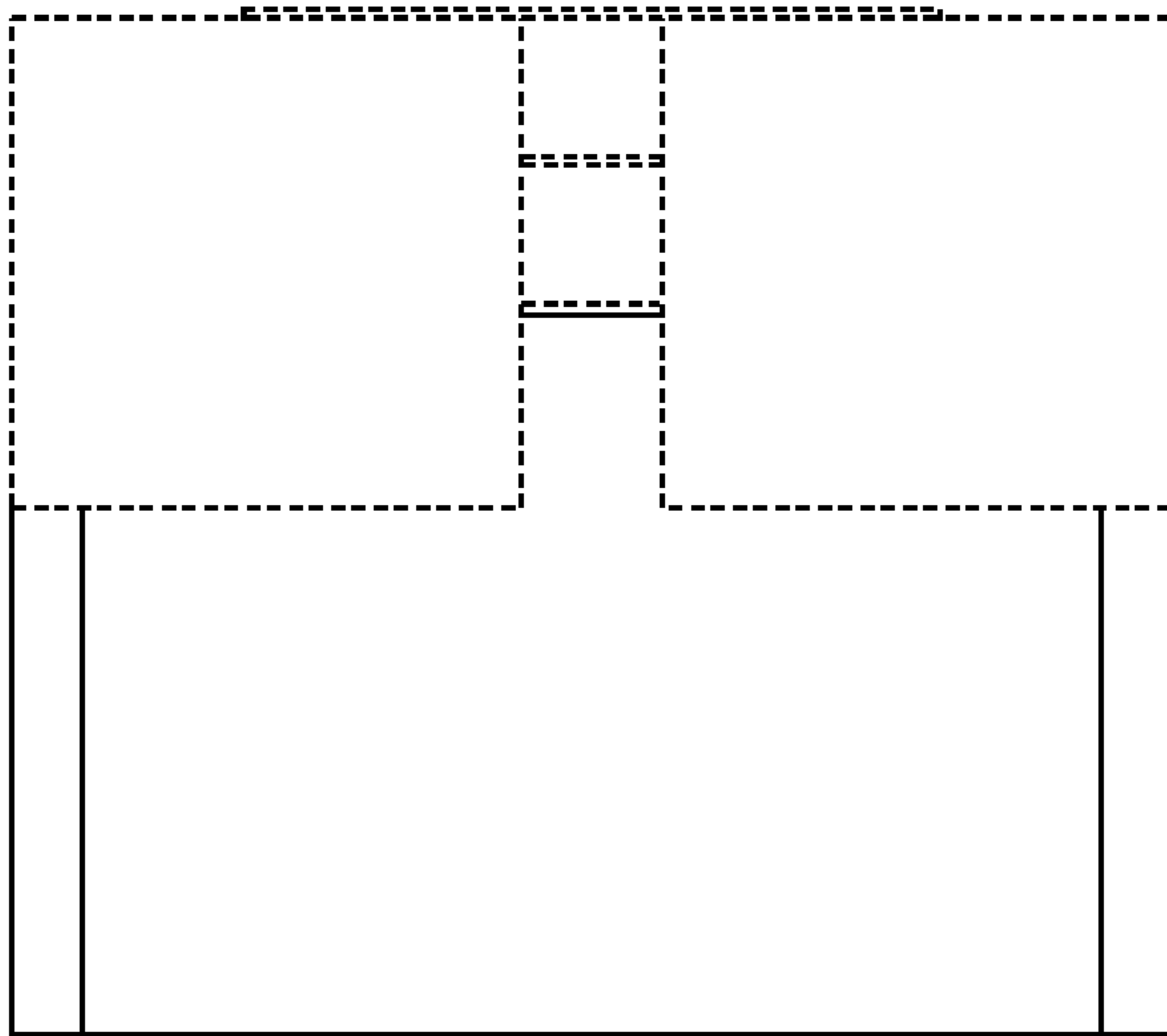


FIG. 3

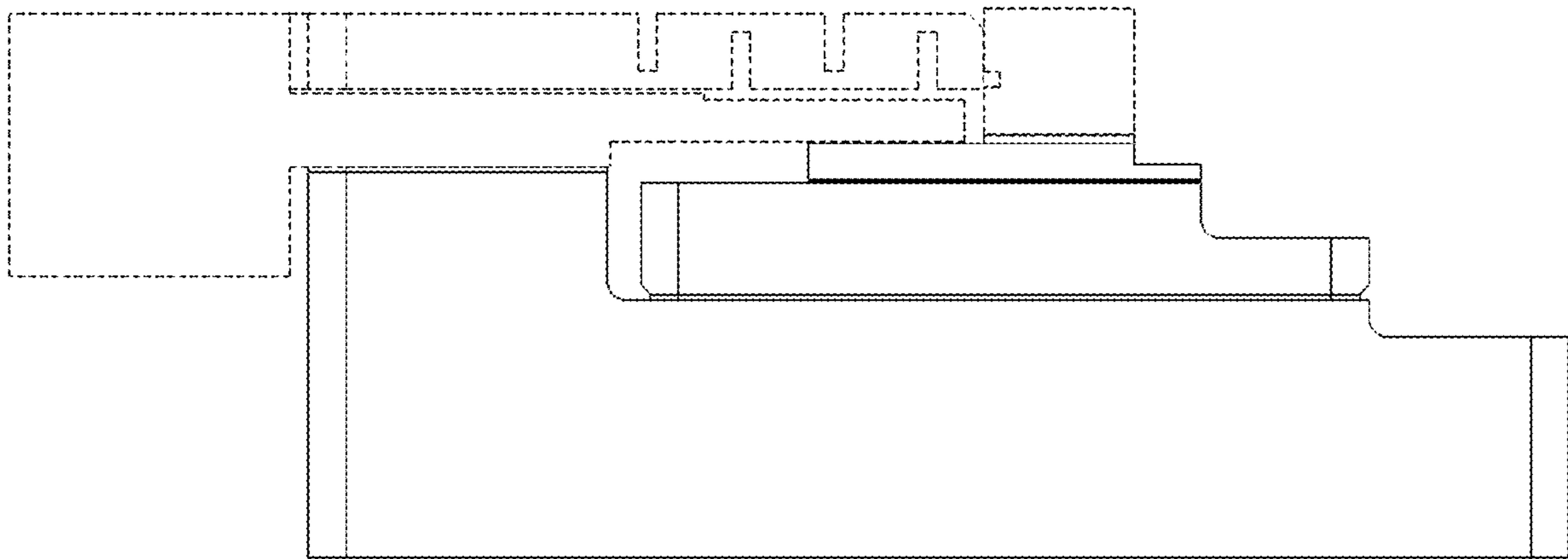


FIG. 4

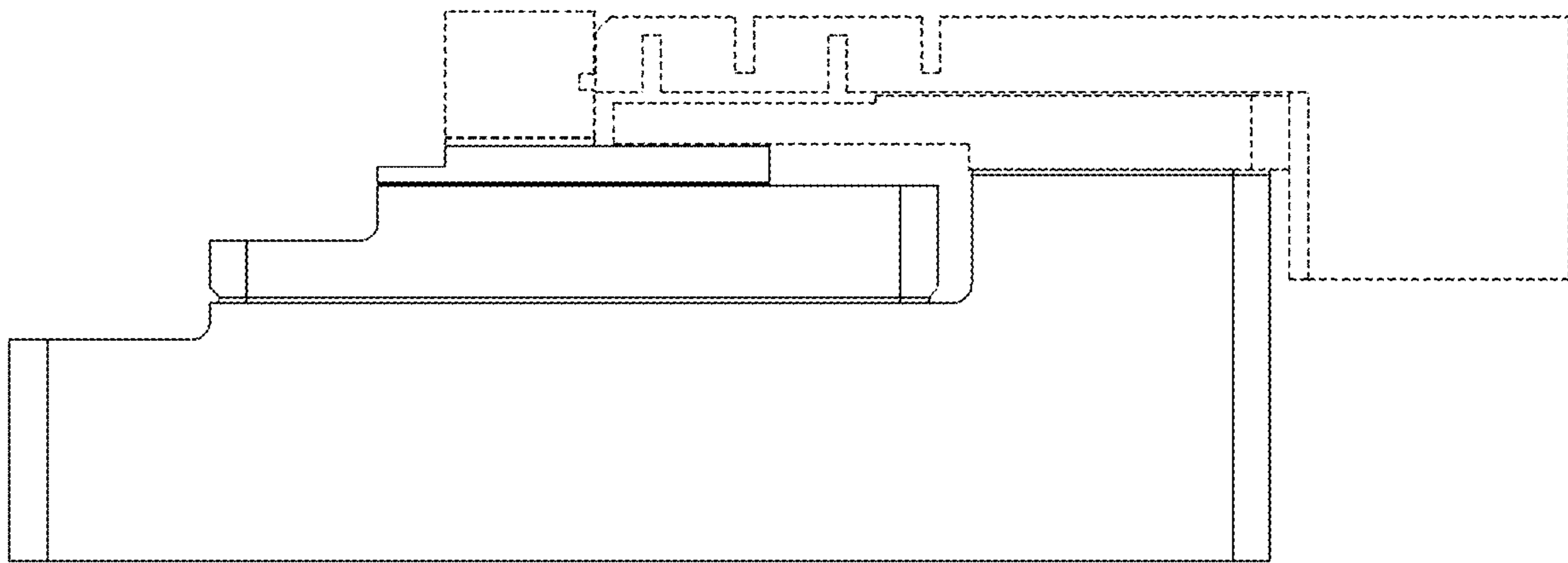


FIG. 5

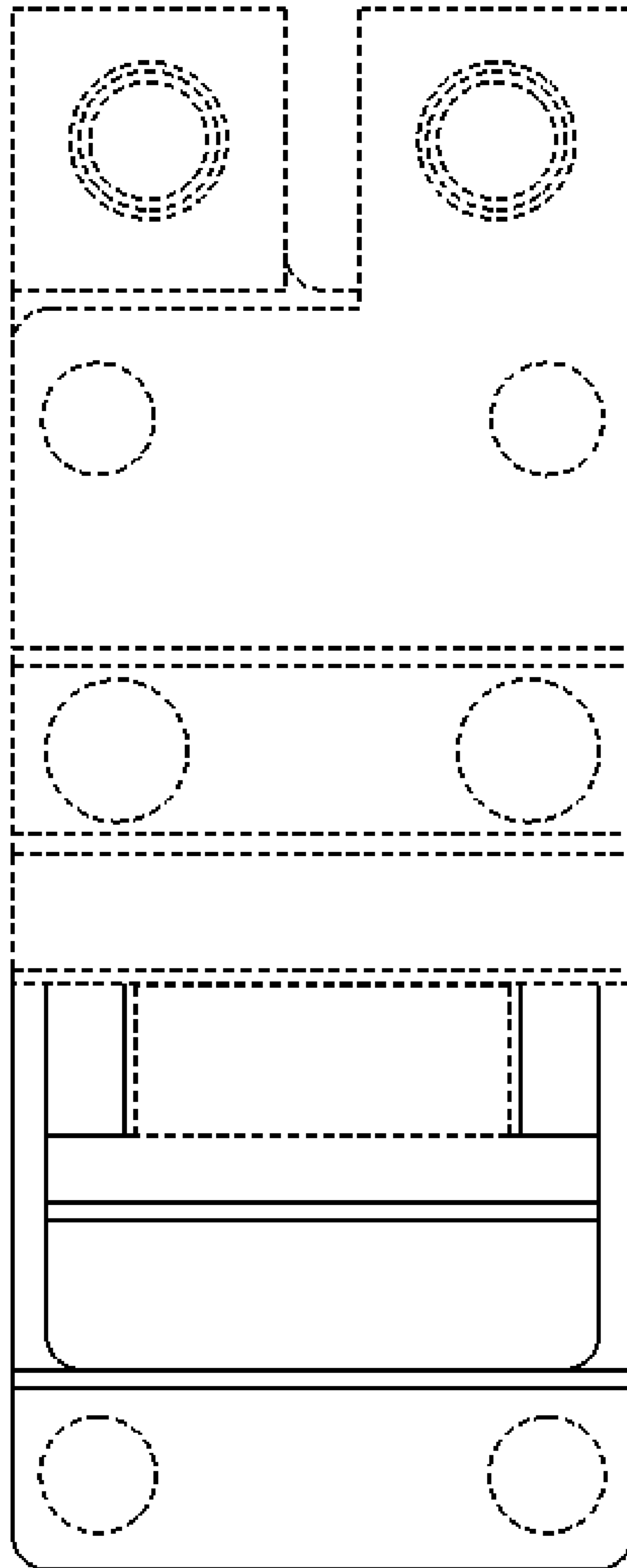


FIG. 6

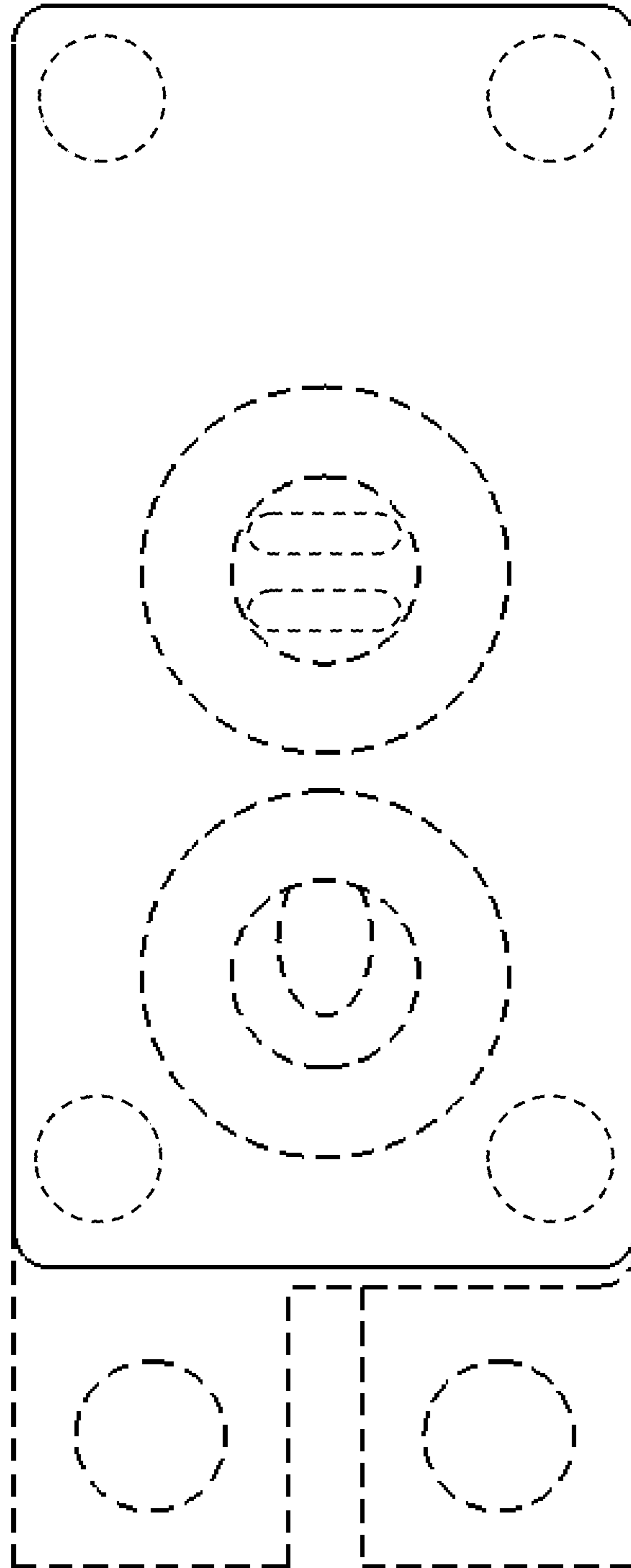


FIG. 7

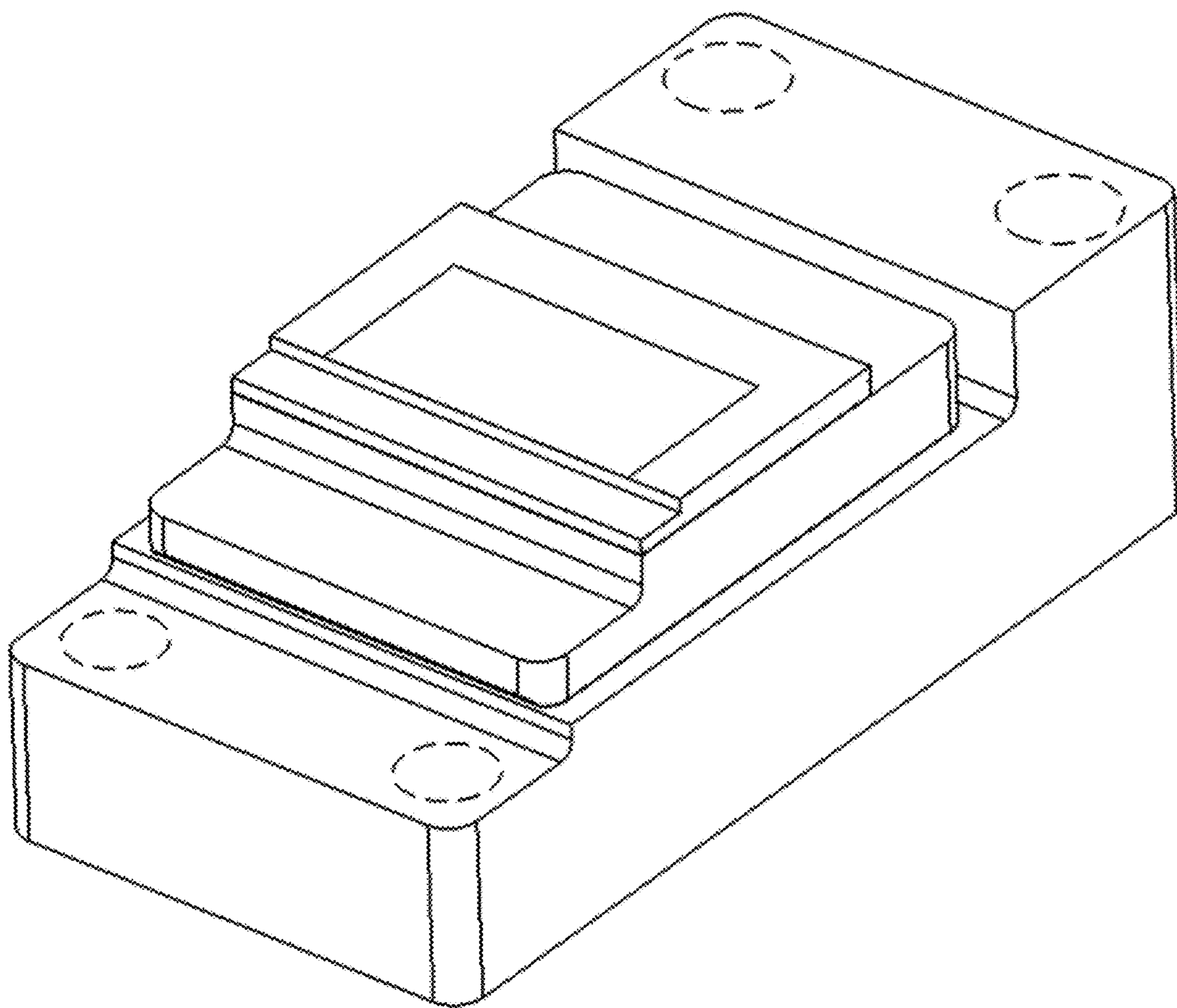


FIG. 8

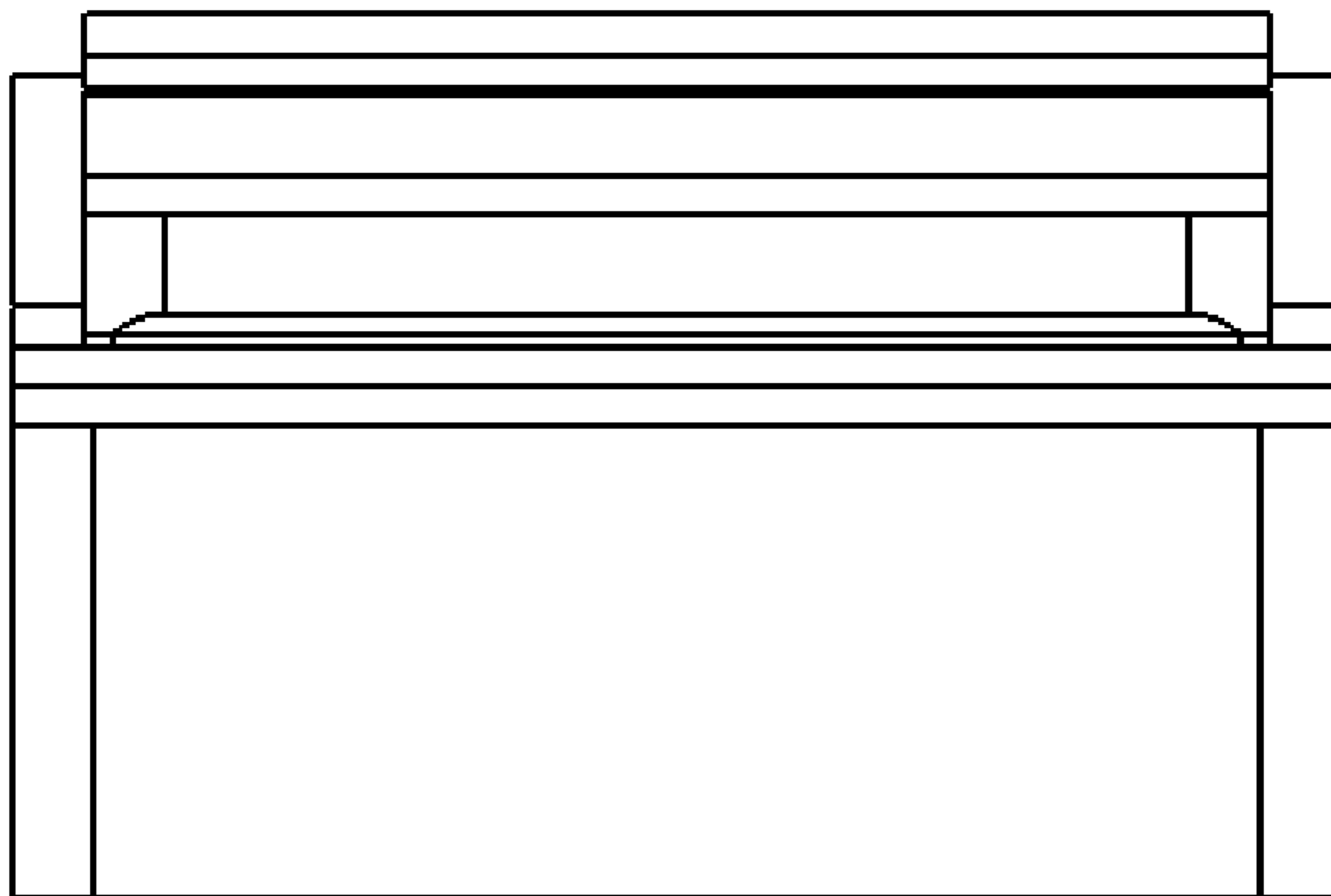


FIG. 9



FIG. 10

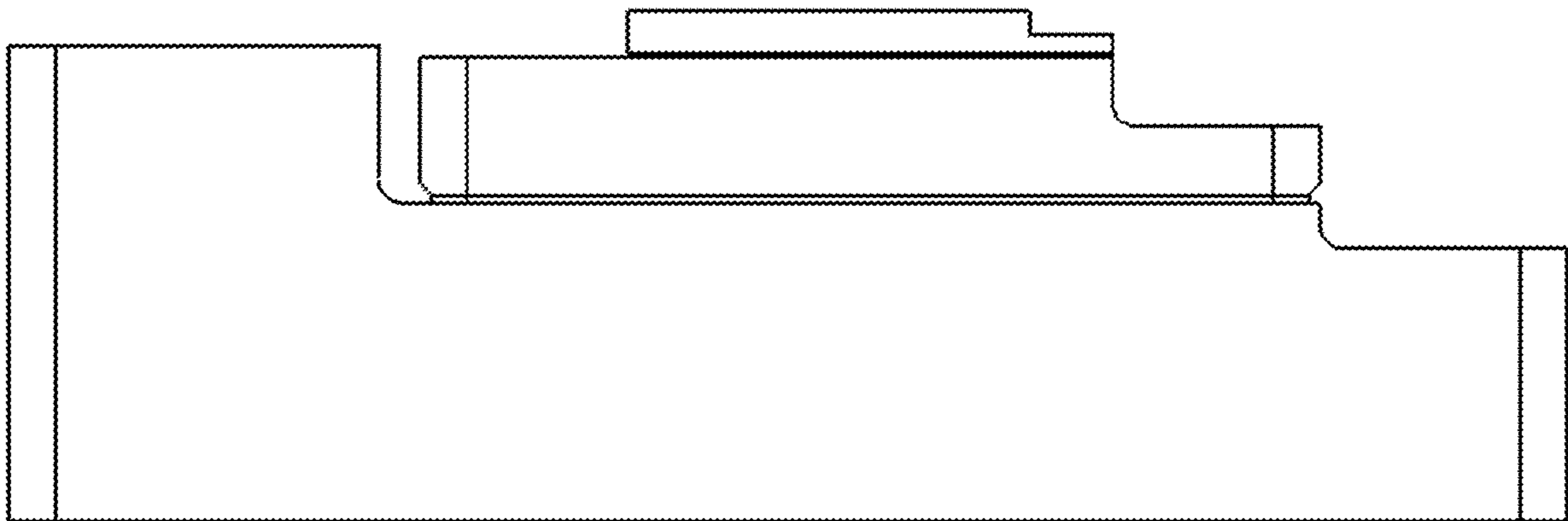


FIG. 11

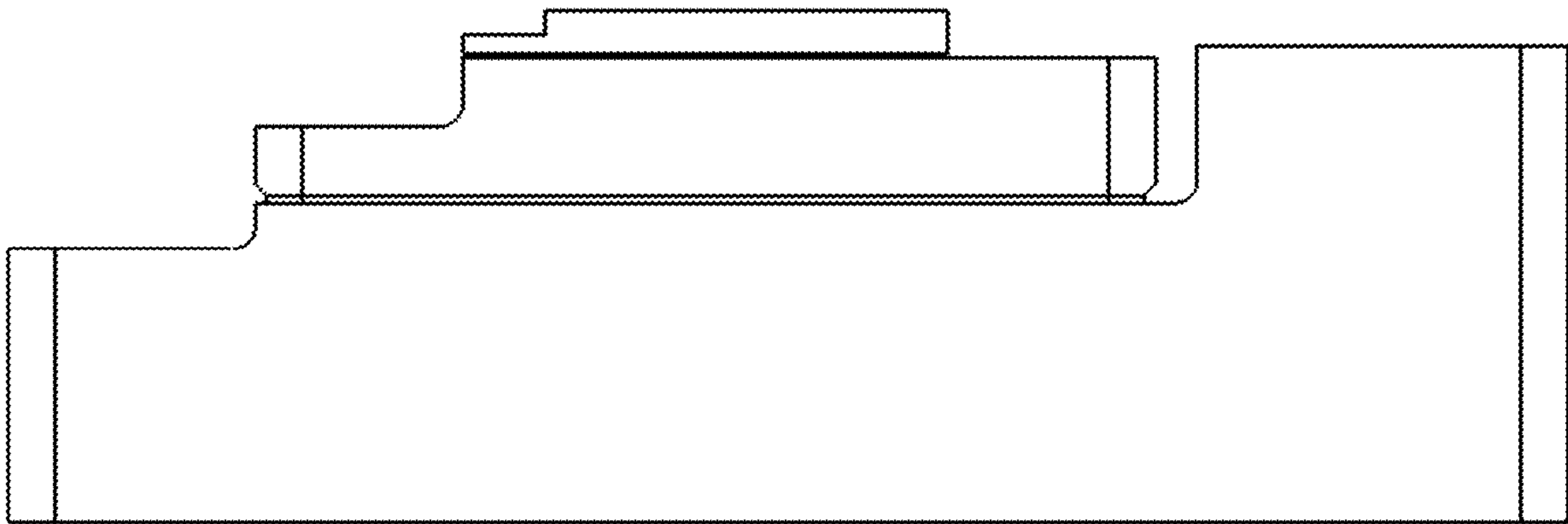


FIG. 12

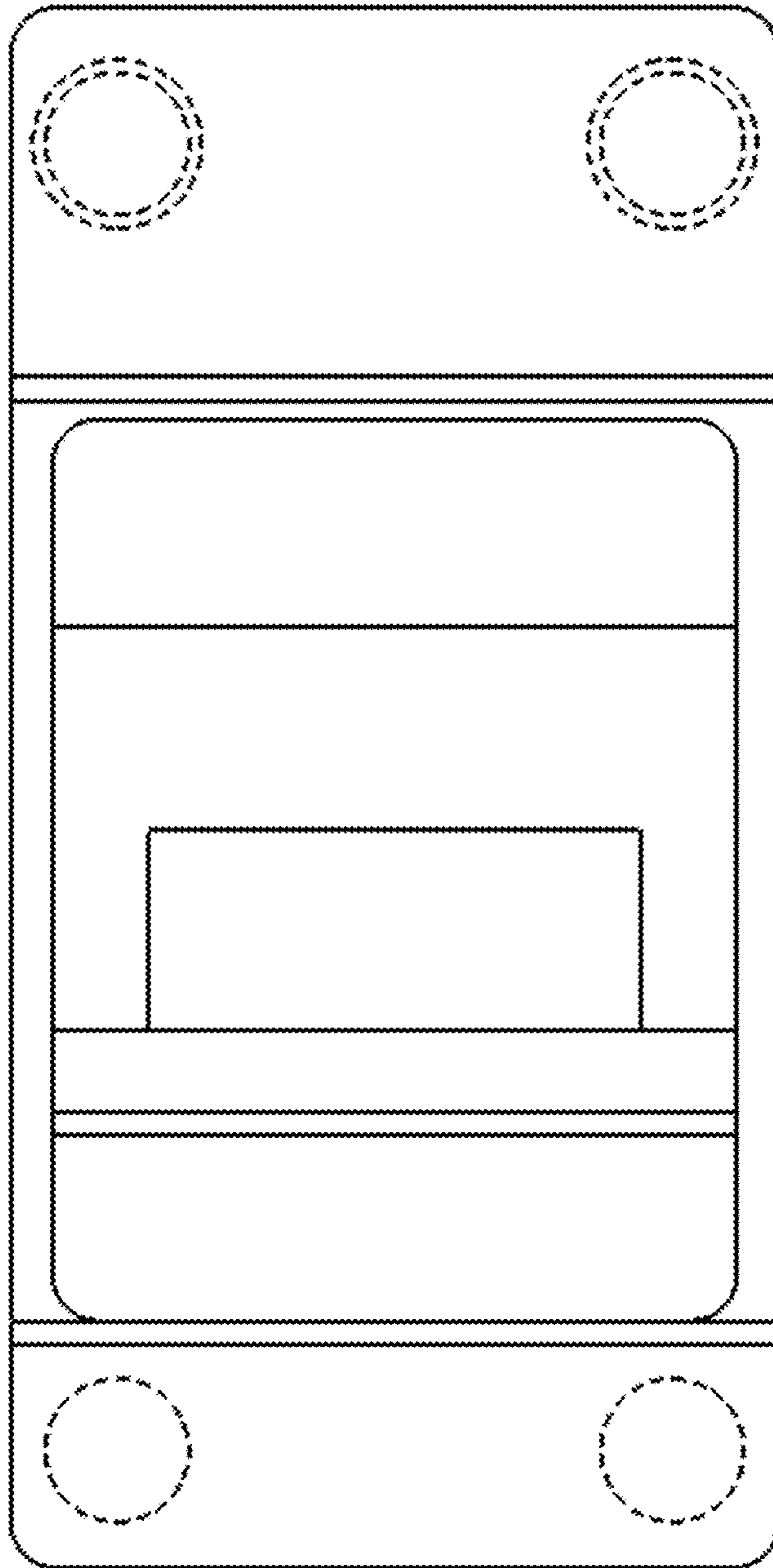


FIG. 13

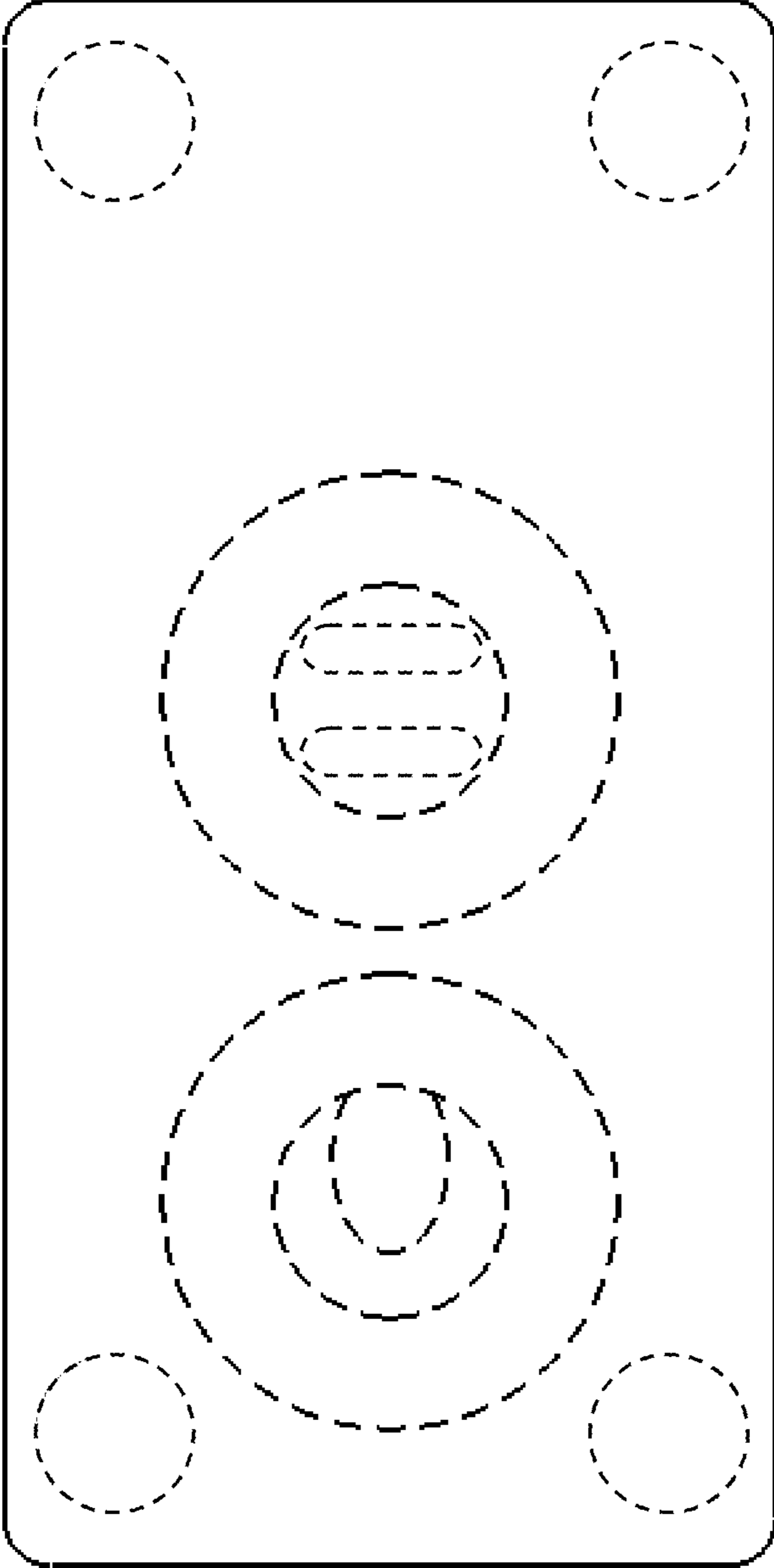


FIG. 14