



US00D916146S

(12) **United States Design Patent** (10) **Patent No.:** **US D916,146 S**
Wu (45) **Date of Patent:** **** Apr. 13, 2021**

(54) **ICE MOLD**
(71) Applicant: **Xiu Wu**, Shenzhen (CN)
(72) Inventor: **Xiu Wu**, Shenzhen (CN)
(**) Term: **15 Years**
(21) Appl. No.: **29/732,273**
(22) Filed: **Apr. 23, 2020**
(51) **LOC (13) Cl.** **15-07**
(52) **U.S. Cl.**
USPC **D15/90**
(58) **Field of Classification Search**
USPC D7/300, 368, 603, 605, 669; D15/79-91
CPC F25C 2400/10; F25C 5/005; F25C 1/10;
F25C 2305/022; F25C 2600/04; F25C
2700/14; F25C 5/06; F25C 5/182; F25C
1/08; F25C 1/24; F25C 2400/14; F25C
2500/02
See application file for complete search history.

(56) **References Cited**
U.S. PATENT DOCUMENTS
2,182,454 A * 12/1939 Sherman F25C 1/24
62/345
2,243,363 A * 5/1941 Thomas A23G 9/221
249/120
2,345,206 A * 3/1944 Mallard F25C 1/24
62/135
2,493,270 A * 1/1950 Smith F25C 1/24
249/119
2,591,261 A * 4/1952 Holahan F25C 1/24
249/92
5,858,263 A * 1/1999 Geary B65D 81/383
206/575
6,168,131 B1 * 1/2001 Tabatabaie F25C 1/24
249/119
D772,311 S * 11/2016 Bricker D15/90
D781,932 S * 3/2017 Yoshikawa D15/80
D803,904 S * 11/2017 Frank D15/90
D807,932 S * 1/2018 Frank D15/90

D847,222 S * 4/2019 Todirca D15/90
D852,237 S * 6/2019 Helton D15/90
D857,766 S * 8/2019 Tseng D15/90
D877,210 S * 3/2020 Letcher D15/80
D877,213 S * 3/2020 Lord D15/90
D879,162 S * 3/2020 Murphy D15/89
D880,541 S * 4/2020 Murphy D15/89
D880,542 S * 4/2020 Burns D15/90
D899,470 S * 10/2020 Liu D15/90
D905,133 S * 12/2020 Sendowski D15/90
2009/0152438 A1 * 6/2009 Chu F25C 1/18
249/83

(Continued)

OTHER PUBLICATIONS

Tinana, Crystal Clear Ice Ball Maker, (first available Oct. 15, 2020), Amazon.com, URL:<https://www.amazon.com/TINANA-Crystal-Whiskey-Cocktail-Bourbon/dp/B08L7PJK9M/ref=cm_cr_arp_d_product_top?ie=UTF8> (Year: 2020).*

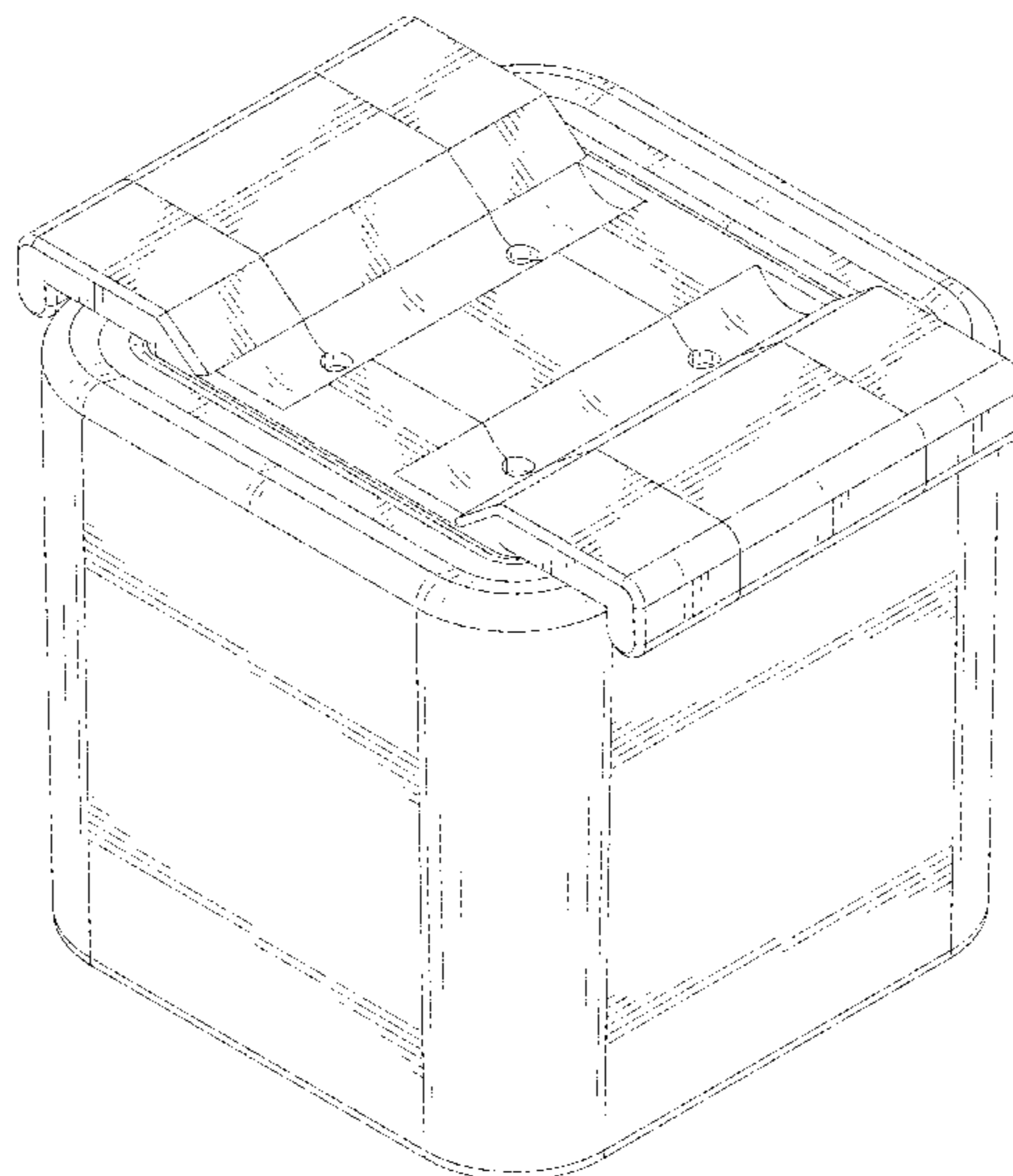
Primary Examiner — Sheryl Lane
Assistant Examiner — Mark T. Philipps
(74) *Attorney, Agent, or Firm* — Novoclaims Patent Services LLC; Mei Lin Wong

(57) **CLAIM**
The ornamental design for an ice mold, as shown and described.

DESCRIPTION

FIG. 1 is a perspective view of an ice mold showing my new design;
FIG. 2 is a bottom perspective view thereof;
FIG. 3 is a front view thereof;
FIG. 4 is a rear view thereof;
FIG. 5 is a left side view thereof;
FIG. 6 is a right side view thereof;
FIG. 7 is a top view thereof; and,
FIG. 8 is a bottom view thereof.

1 Claim, 8 Drawing Sheets



(56)

References Cited

U.S. PATENT DOCUMENTS

2016/0356536 A1* 12/2016 Baumbach F25C 1/24
2018/0306479 A1* 10/2018 Vazquez F25C 1/24
2020/0018535 A1* 1/2020 Leal F25C 5/18
2020/0072522 A1* 3/2020 Murphy F25C 1/18

* cited by examiner

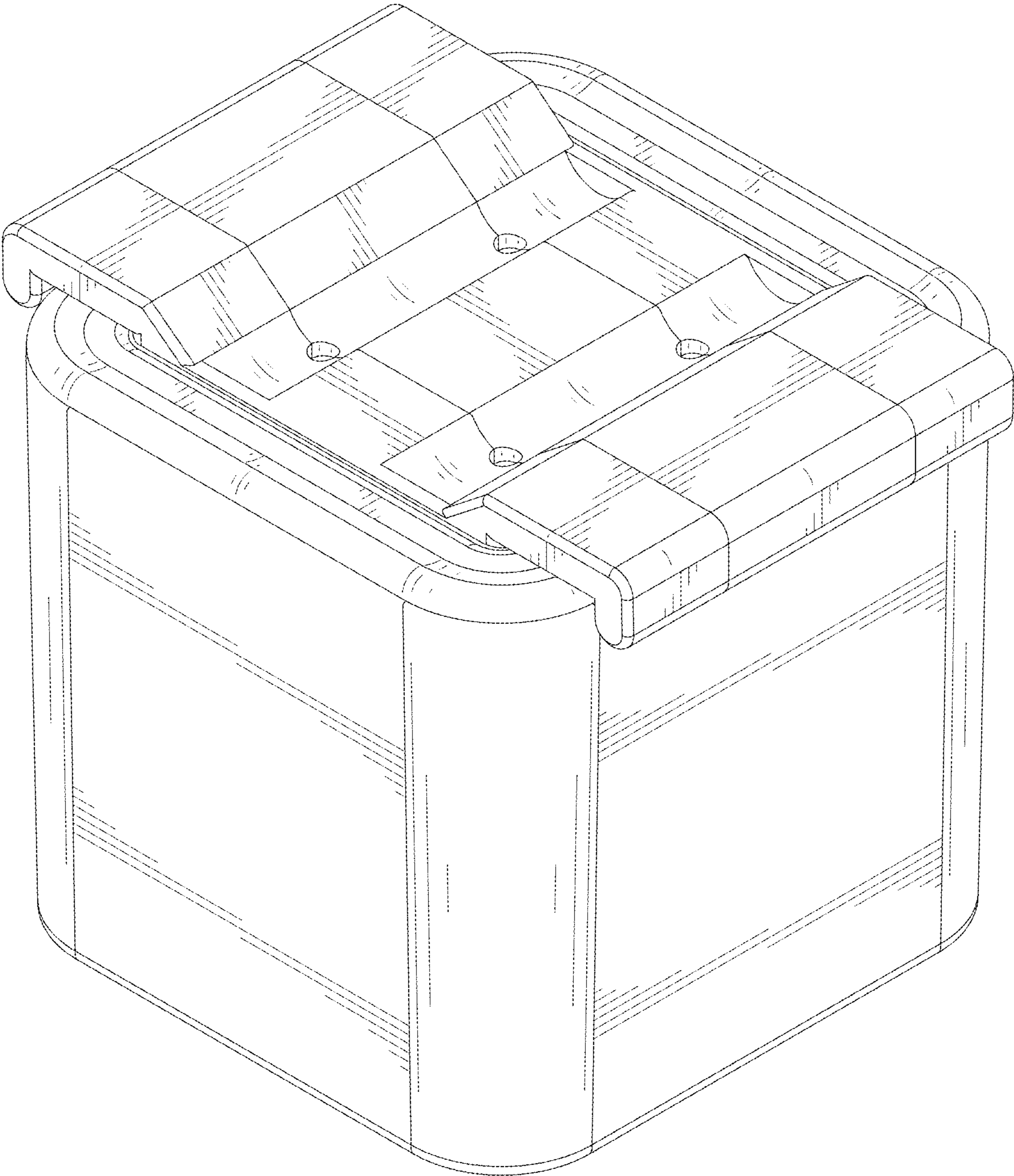


FIG.1

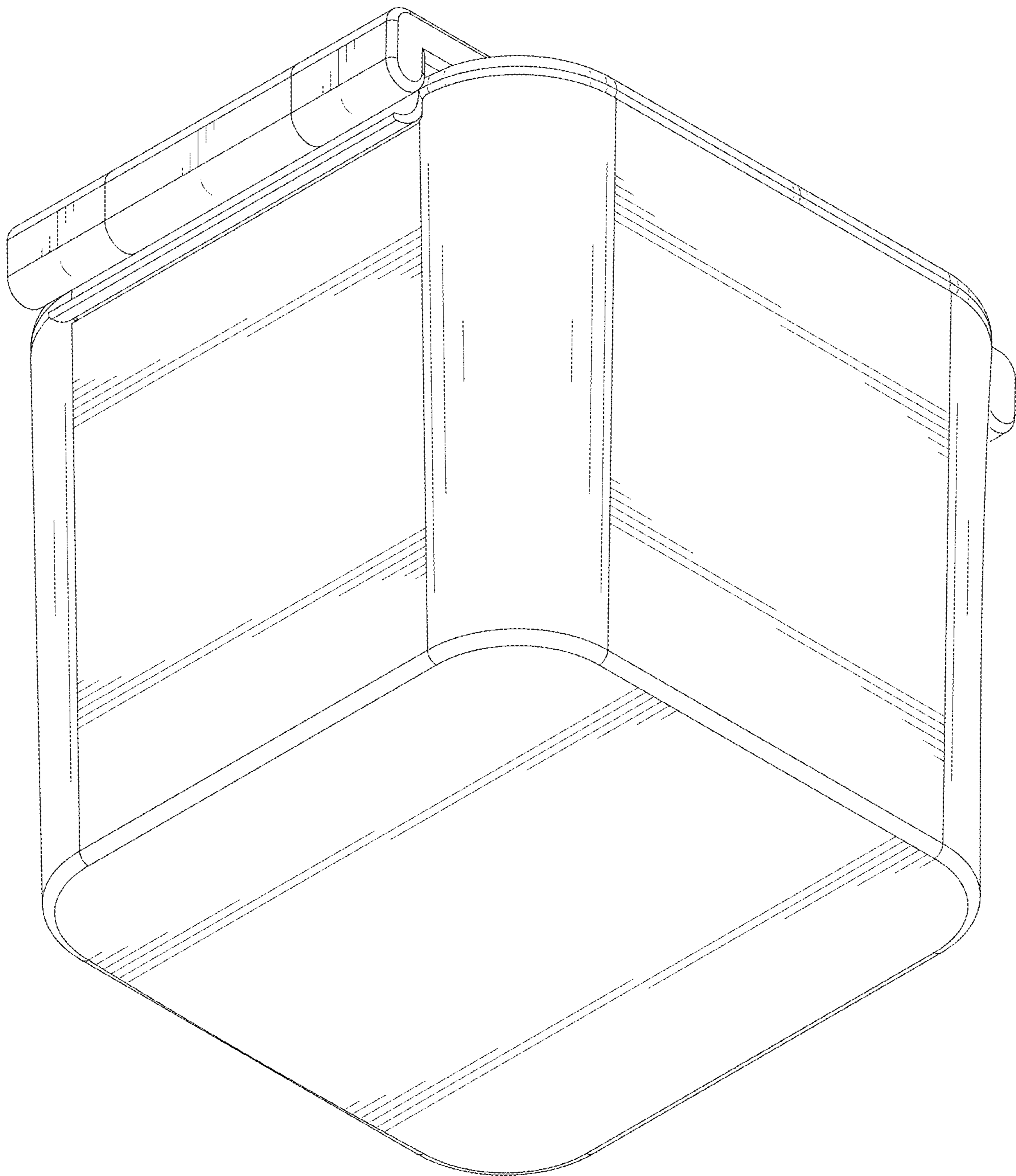


FIG.2

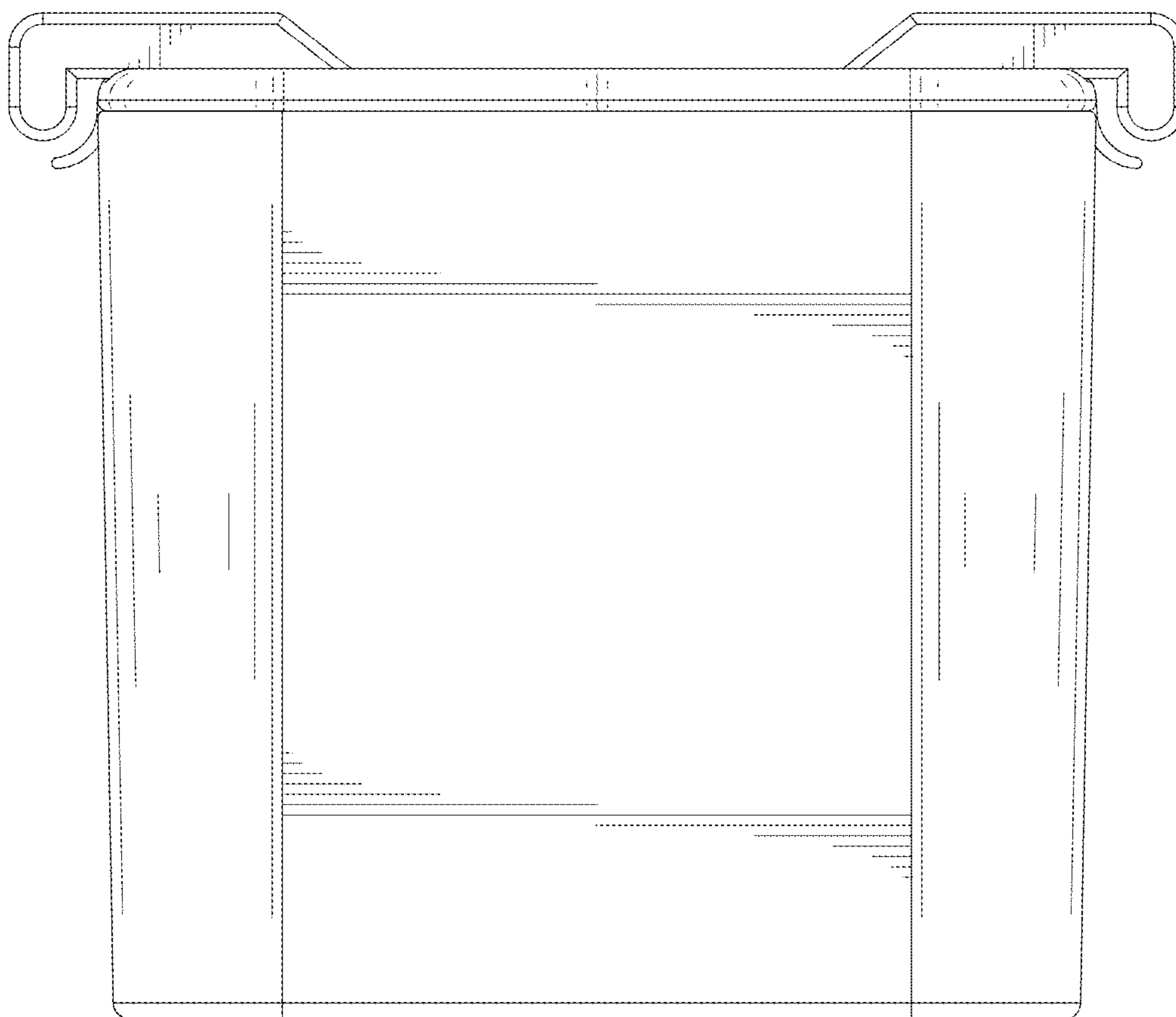


FIG.3

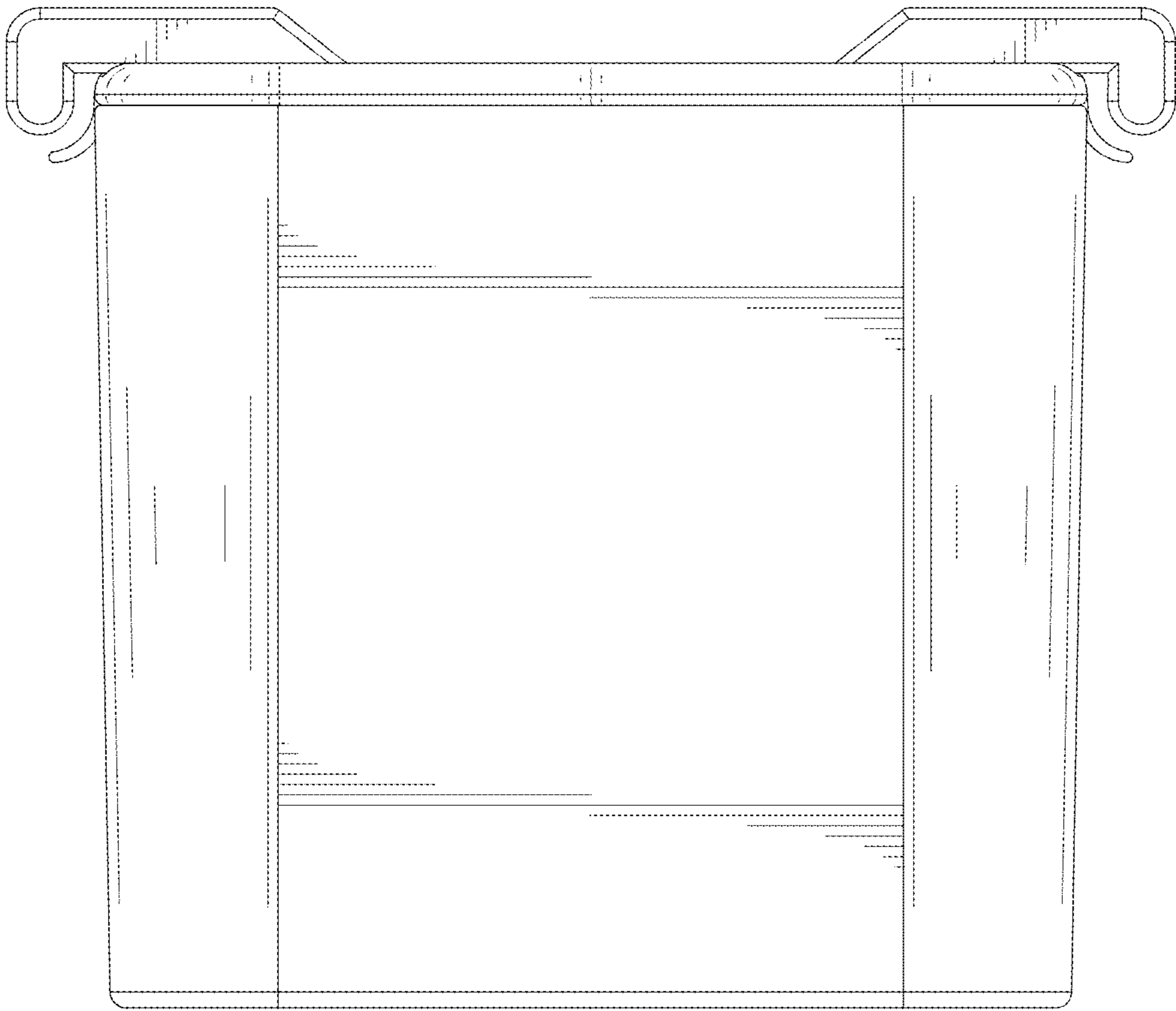


FIG.4

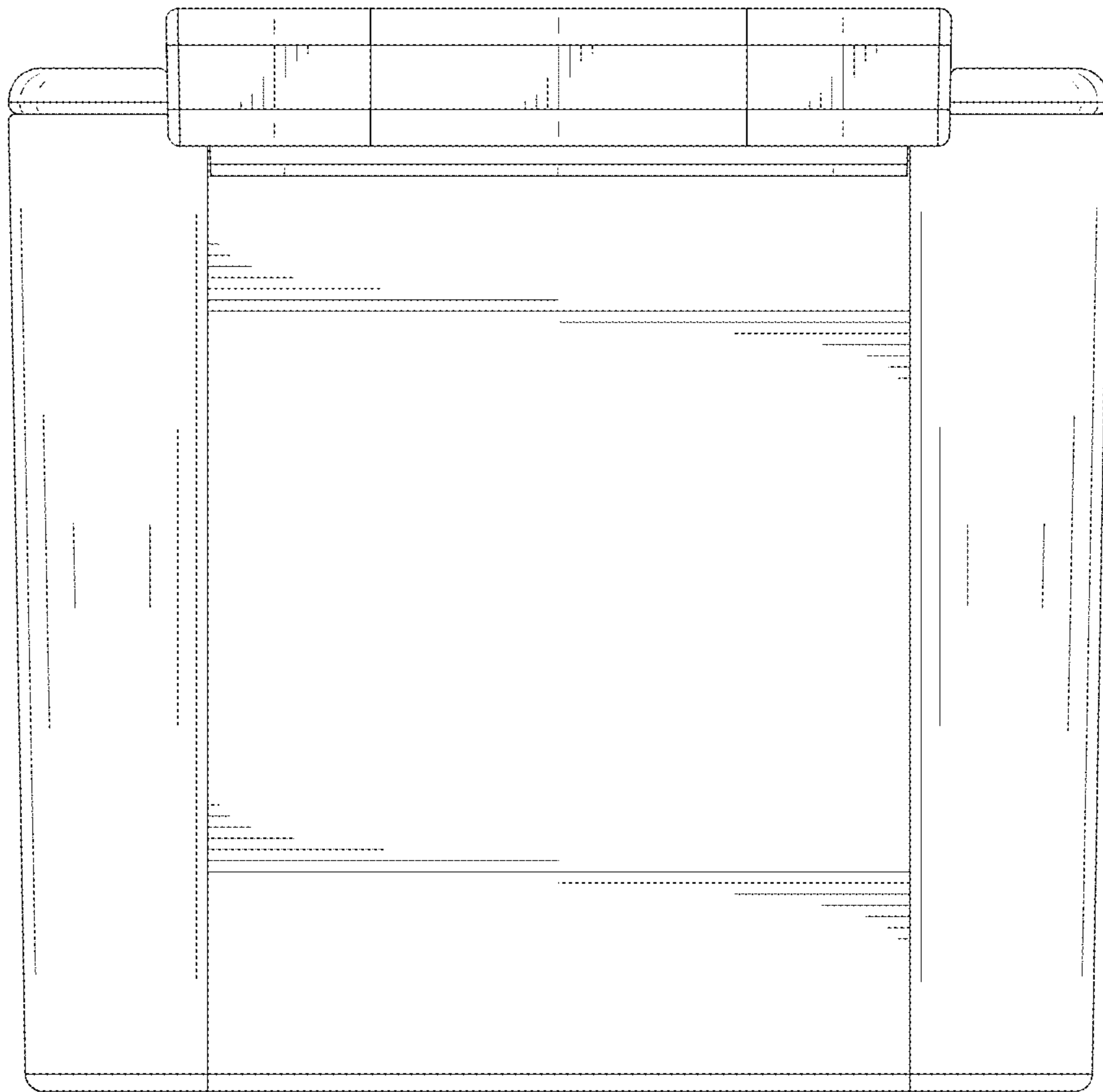


FIG.5

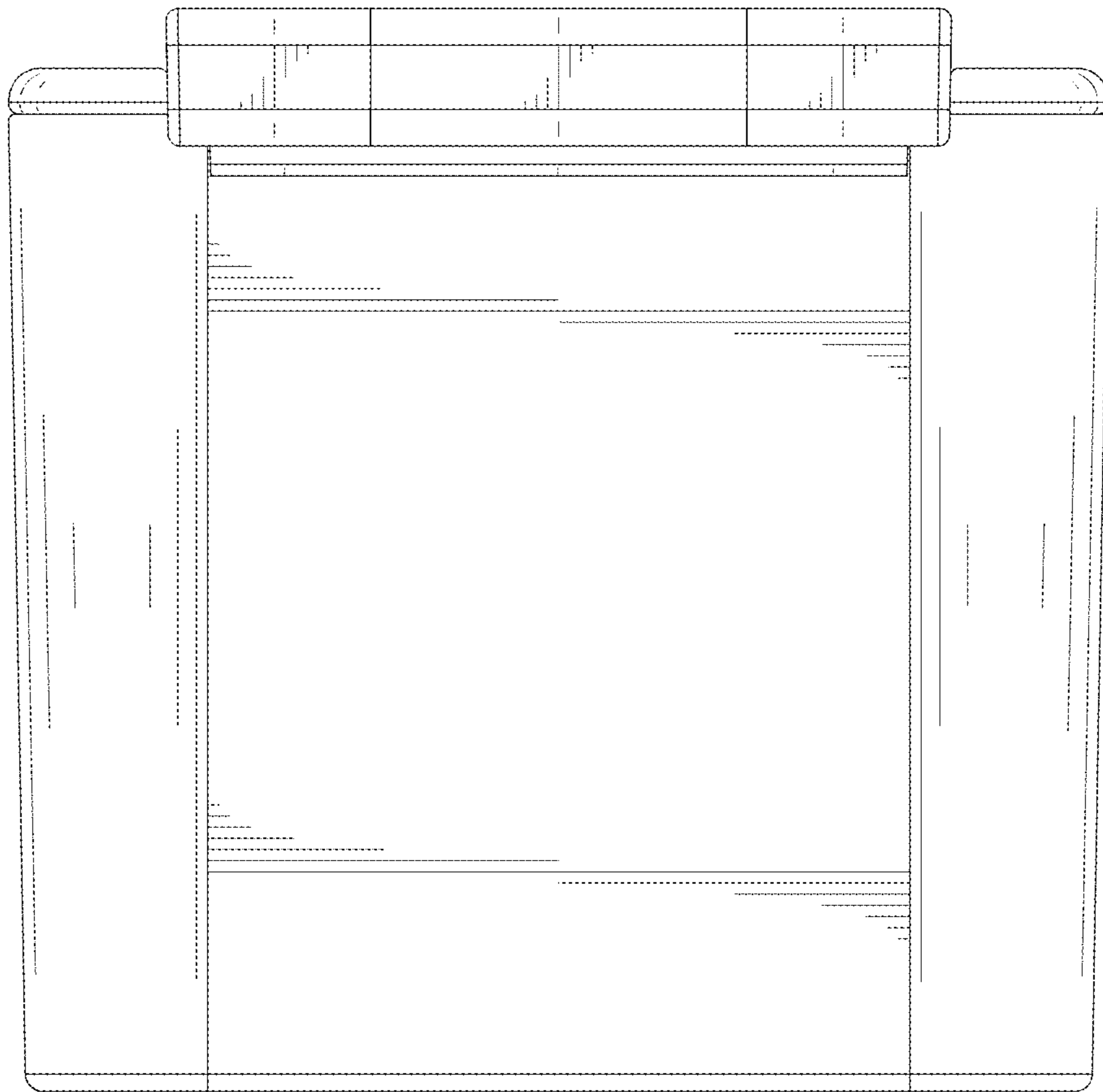


FIG.6

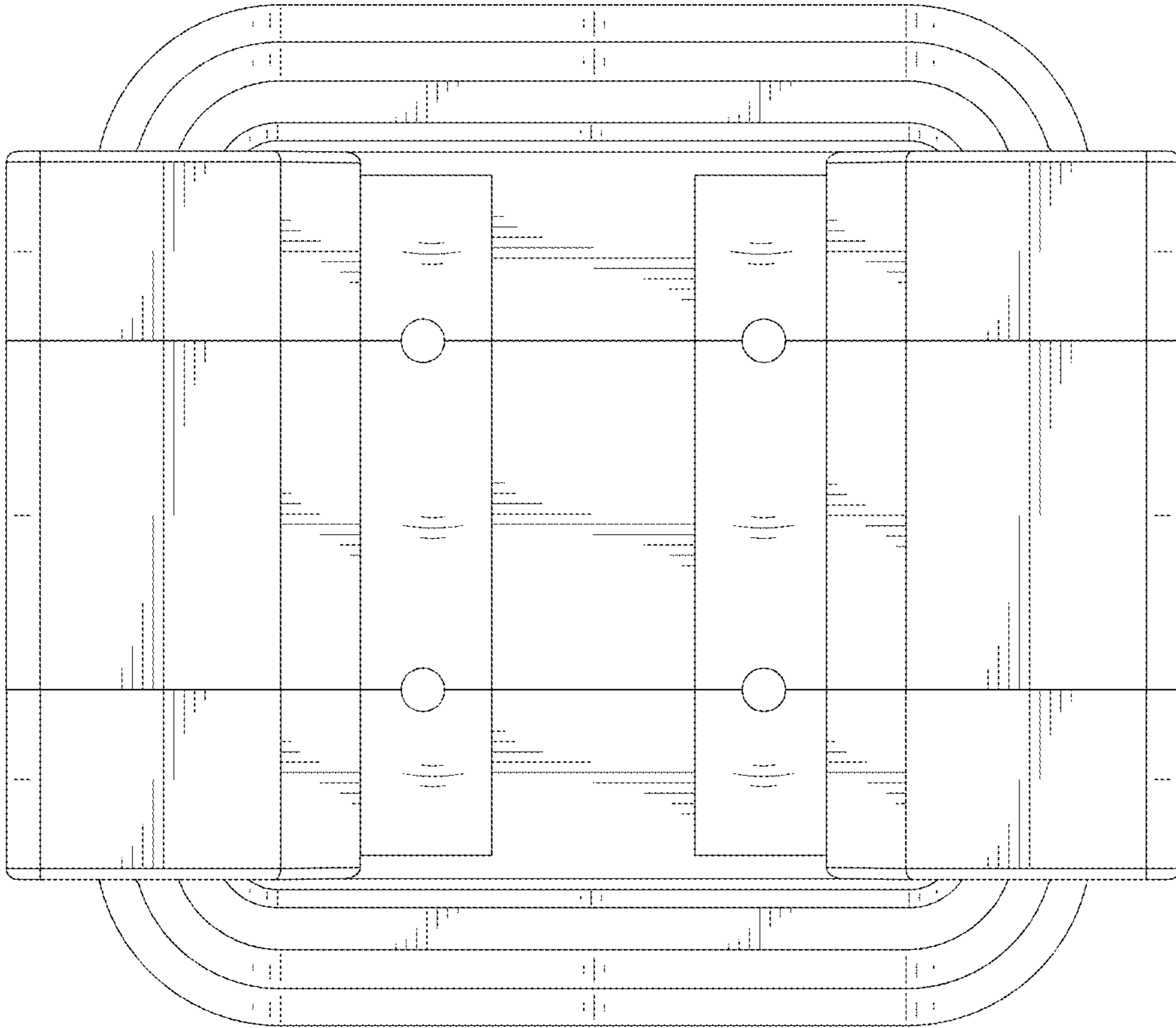


FIG.7

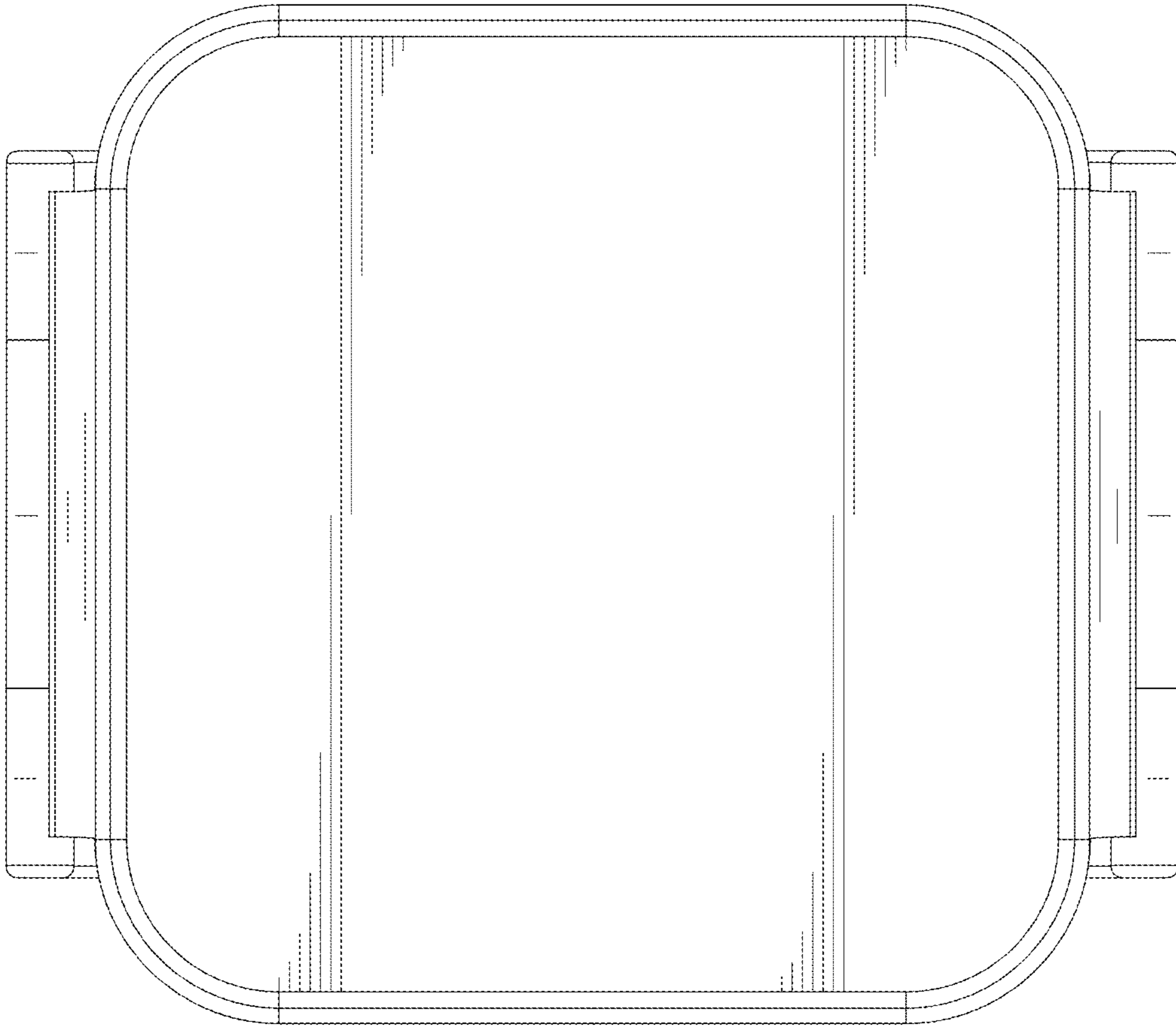


FIG.8