



US00D916144S

(12) **United States Design Patent**
Deng

(10) **Patent No.:** **US D916,144 S**
(45) **Date of Patent:** **** Apr. 13, 2021**

(54) **REFRIGERATOR**

(71) Applicant: **GUANGZHOU TSUNAMI INDUSTRIAL EQUIPMENT CO., LTD.**, Guangzhou (CN)

(72) Inventor: **Junlin Deng**, Guangzhou (CN)

(73) Assignee: **GUANGZHOU TSUNAMI INDUSTRIAL EQUIPMENT CO., LTD.**, Guangzhou (CN)

(**) Term: **15 Years**

(21) Appl. No.: **29/741,977**

(22) Filed: **Jul. 17, 2020**

(51) **LOC (13) Cl.** **15-07**

(52) **U.S. Cl.**
USPC **D15/79**

(58) **Field of Classification Search**
USPC D15/79-91; D7/603-608; D3/272-274
CPC F25D 17/02; F25D 11/003; F25D 19/003;
F25D 19/02; F25D 21/04; F25D 2201/14;
F25D 2331/803; F25D 2331/805; F25D
23/006; F25D 23/028; F25D 23/065;
F25D 23/066; F25D 23/085; F25D
2400/20; F25D 2400/28; F25D 2400/38;
F25D 2700/16; F25D 29/00; F25D
29/003; F25D 29/005; F25D 31/006;
F25D 31/007

See application file for complete search history.

(56) **References Cited**

U.S. PATENT DOCUMENTS

D649,783 S * 12/2011 Brunner D3/279
D667,697 S * 9/2012 Shah D7/605
D750,140 S * 2/2016 Cross D15/81

D792,486 S * 7/2017 Li D15/81
D802,029 S * 11/2017 Li D15/81
D802,630 S * 11/2017 Li D15/81
D816,127 S * 4/2018 Trotter D15/81
D828,408 S * 9/2018 Huang D15/81
D905,129 S * 12/2020 Deng D15/81
2011/0302938 A1 12/2011 Lee et al.

OTHER PUBLICATIONS

“Summer must-have! New Stylish Car Refrigerator in The Car Small Freezer Mini Fridge Car Fridge 12V Universal Cooler for Car Home”, Retrieved Jul. 17, 2020]. Retrieved from Internet, https://www.aliexpress.com/item/4001022307995.html?spm=a2g0o.productlist.0.0.776b4e85Hw8noO&algo_pvid=4e28ce61-cec7-4942-919f-8d5b3d4ce4a8&algo_expi.

* cited by examiner

Primary Examiner — Khawaja Anwar

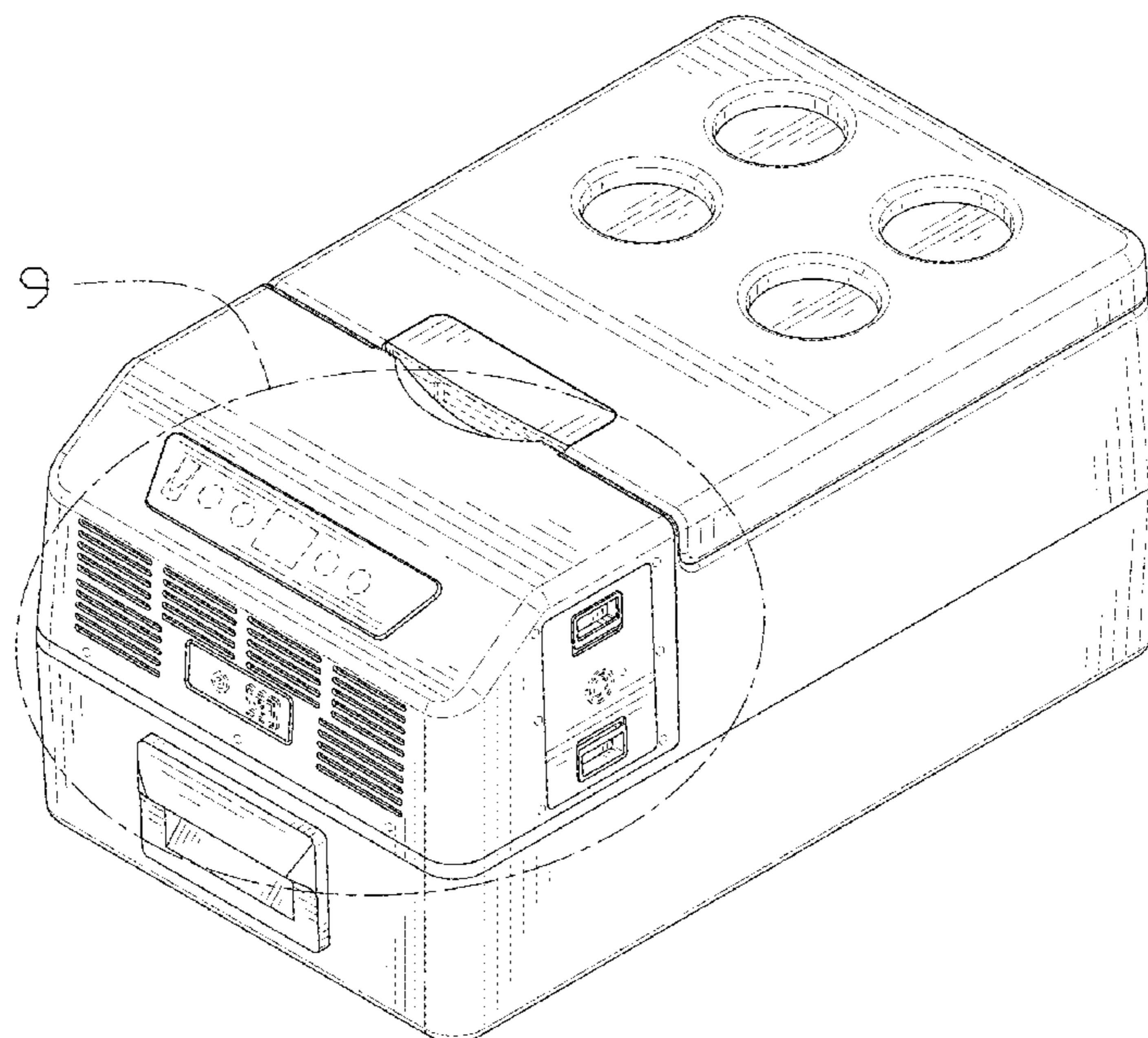
(57) **CLAIM**

The ornamental design for a refrigerator, as shown and described.

DESCRIPTION

FIG. 1 is a perspective view of a refrigerator showing my new design;
FIG. 2 is another perspective view thereof;
FIG. 3 is a front elevational view thereof;
FIG. 4 is a rear elevational view thereof;
FIG. 5 is a left side elevational view thereof;
FIG. 6 is a right side elevational view thereof;
FIG. 7 is a top plan view thereof;
FIG. 8 is a bottom plan view thereof; and,
FIG. 9 is an enlarged view of portion 9 shown in FIG. 1. The broken lines in the drawings depict portions of the refrigerator that form no part of the claimed design.

1 Claim, 9 Drawing Sheets



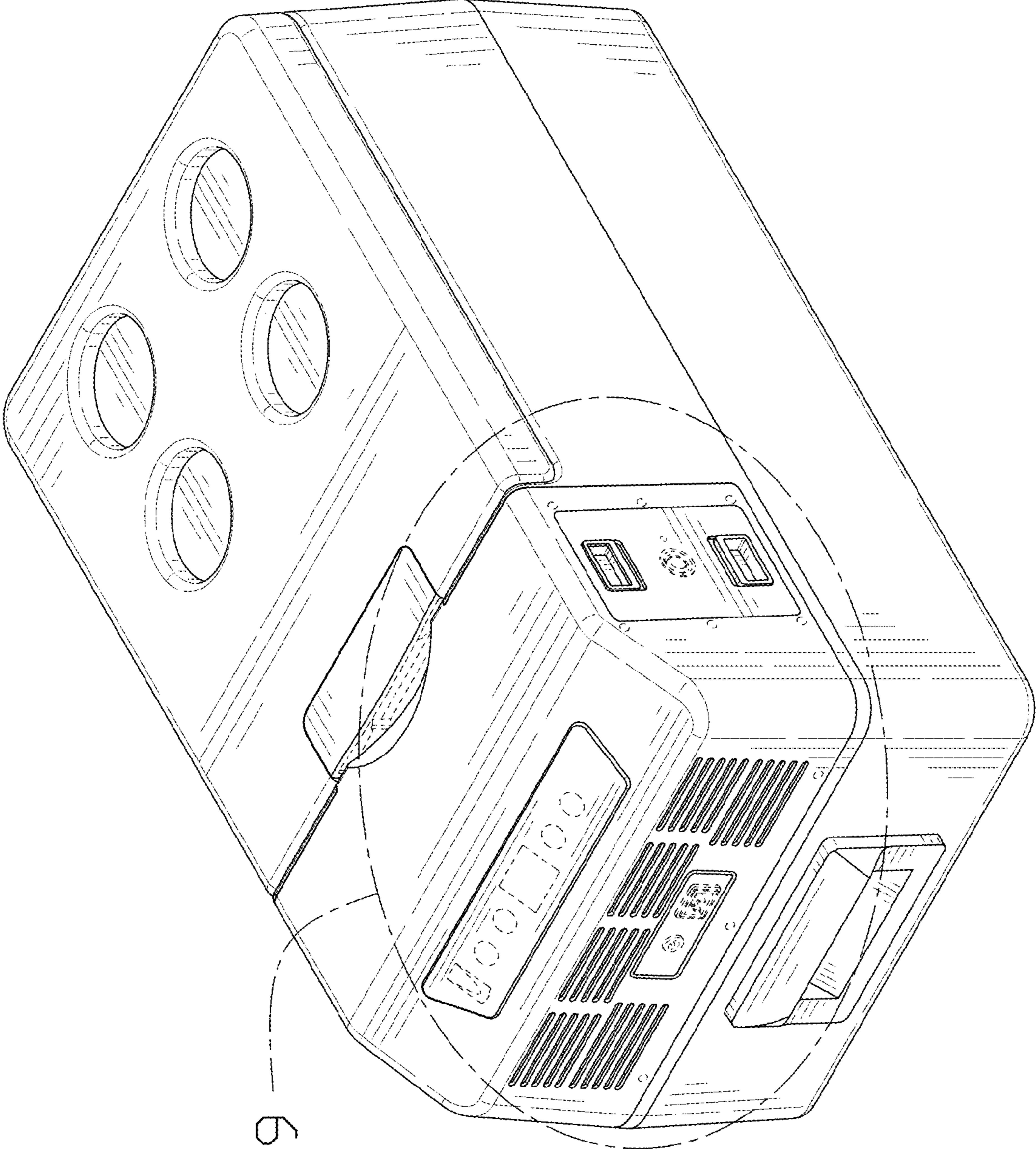


FIG. 1

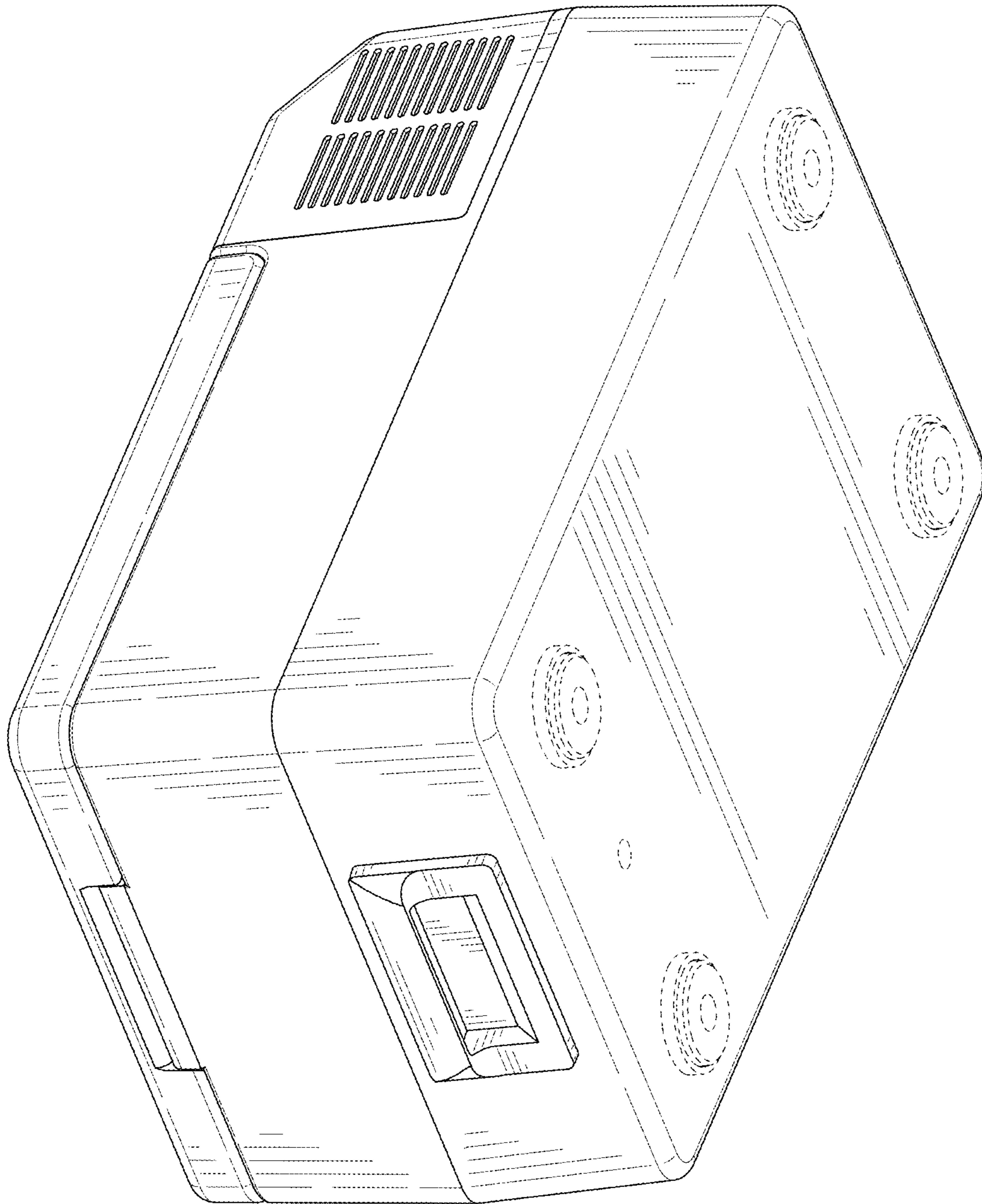


FIG. 2

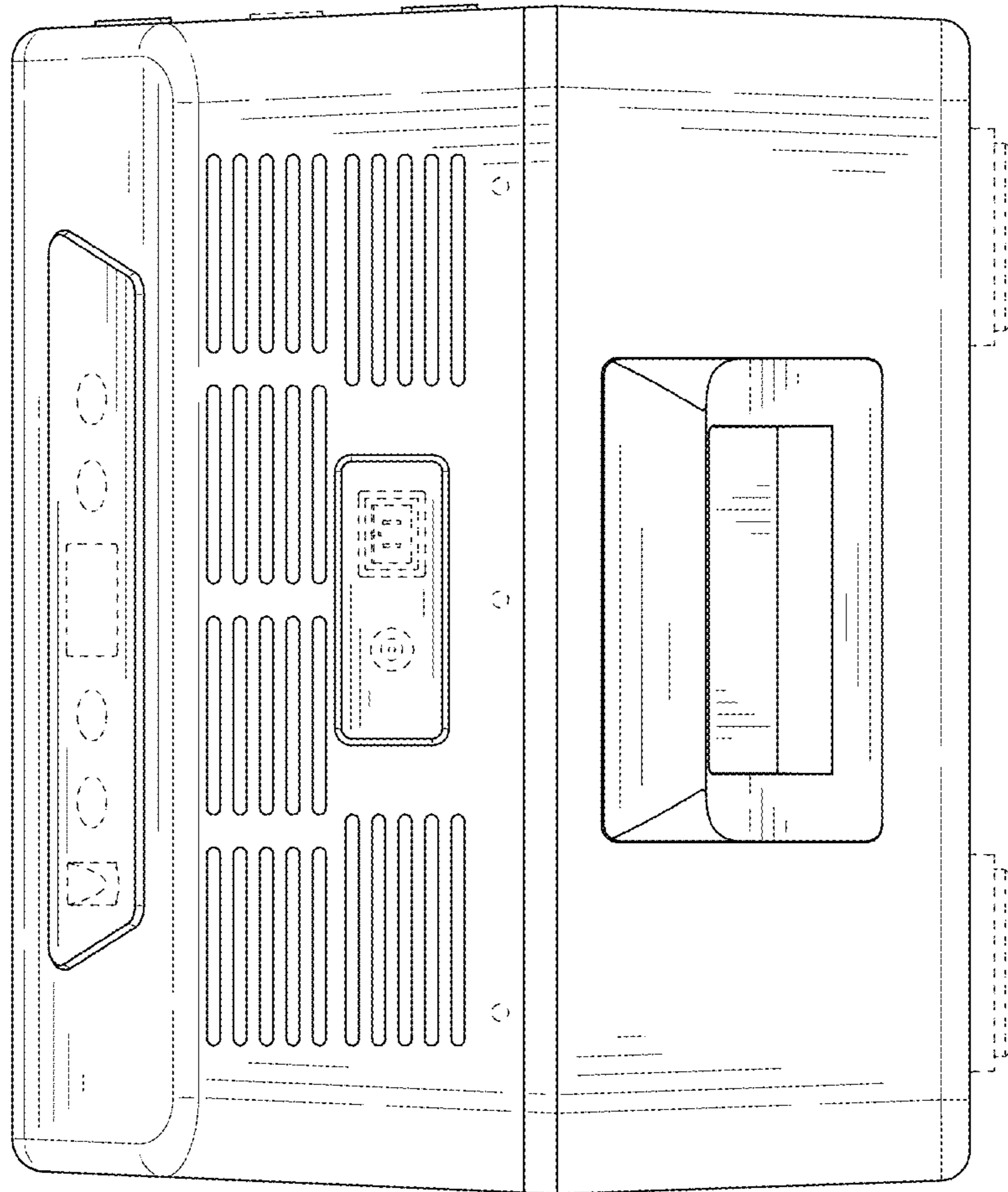


FIG. 3

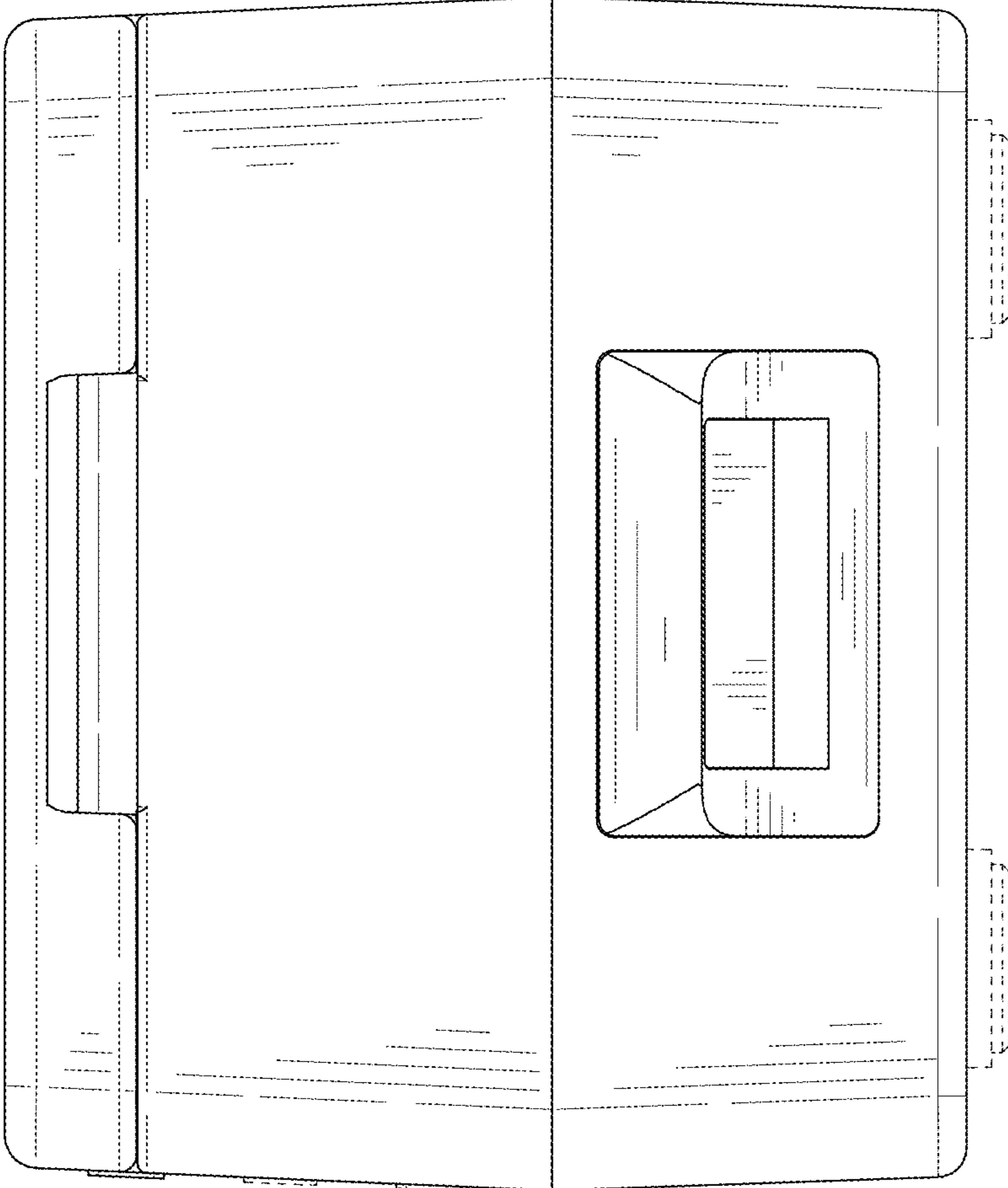


FIG. 4

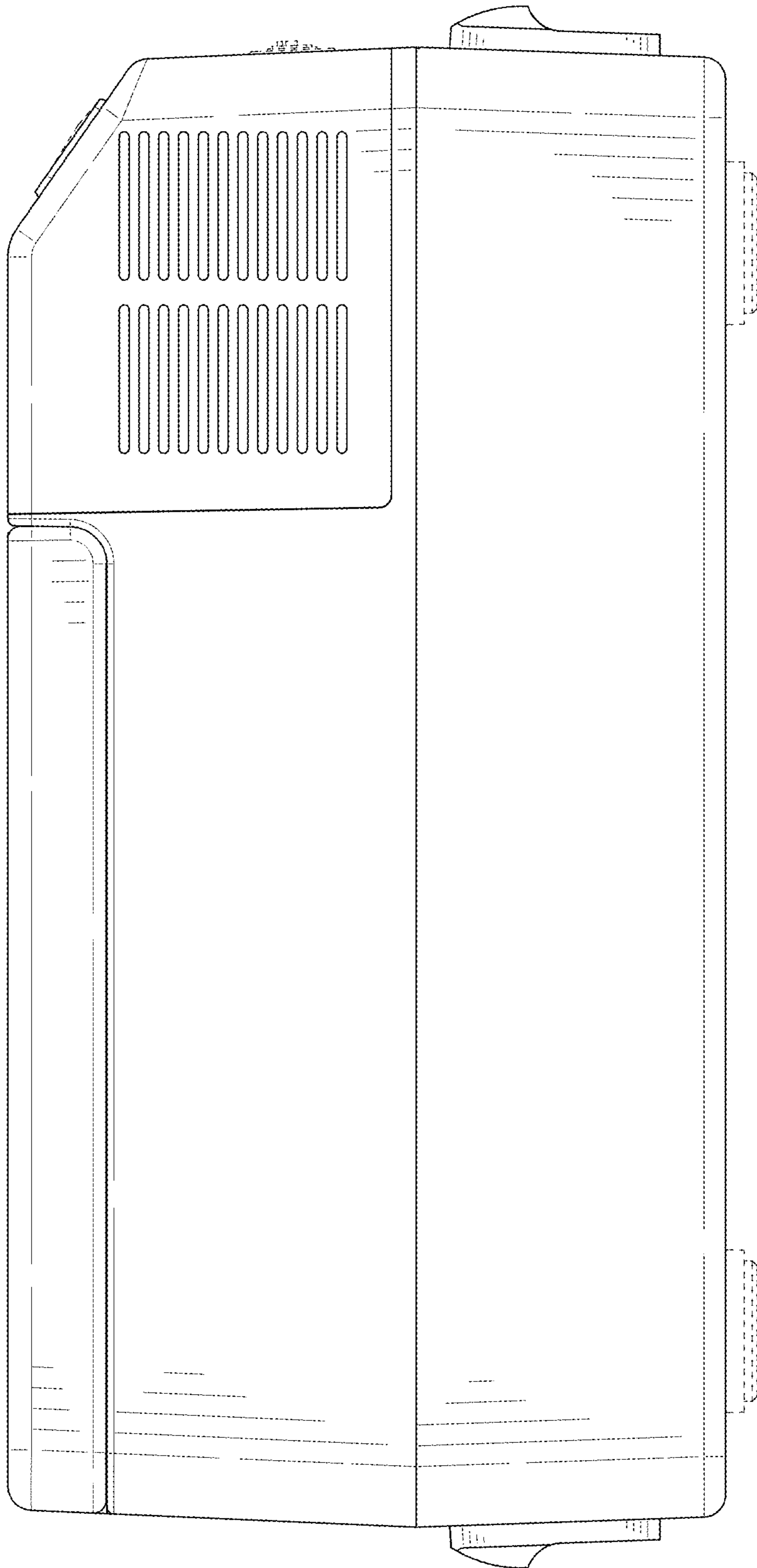


FIG. 5

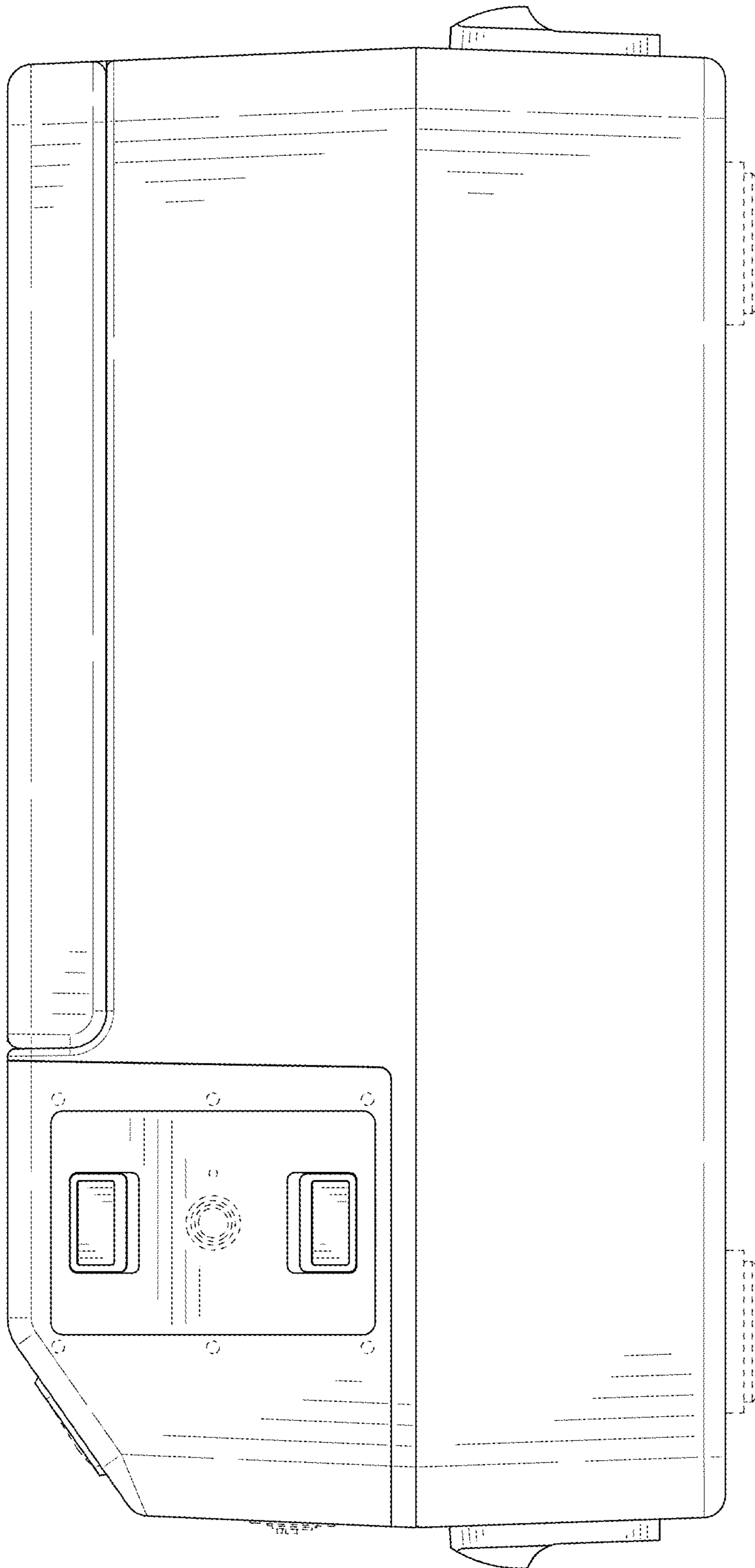


FIG. 6

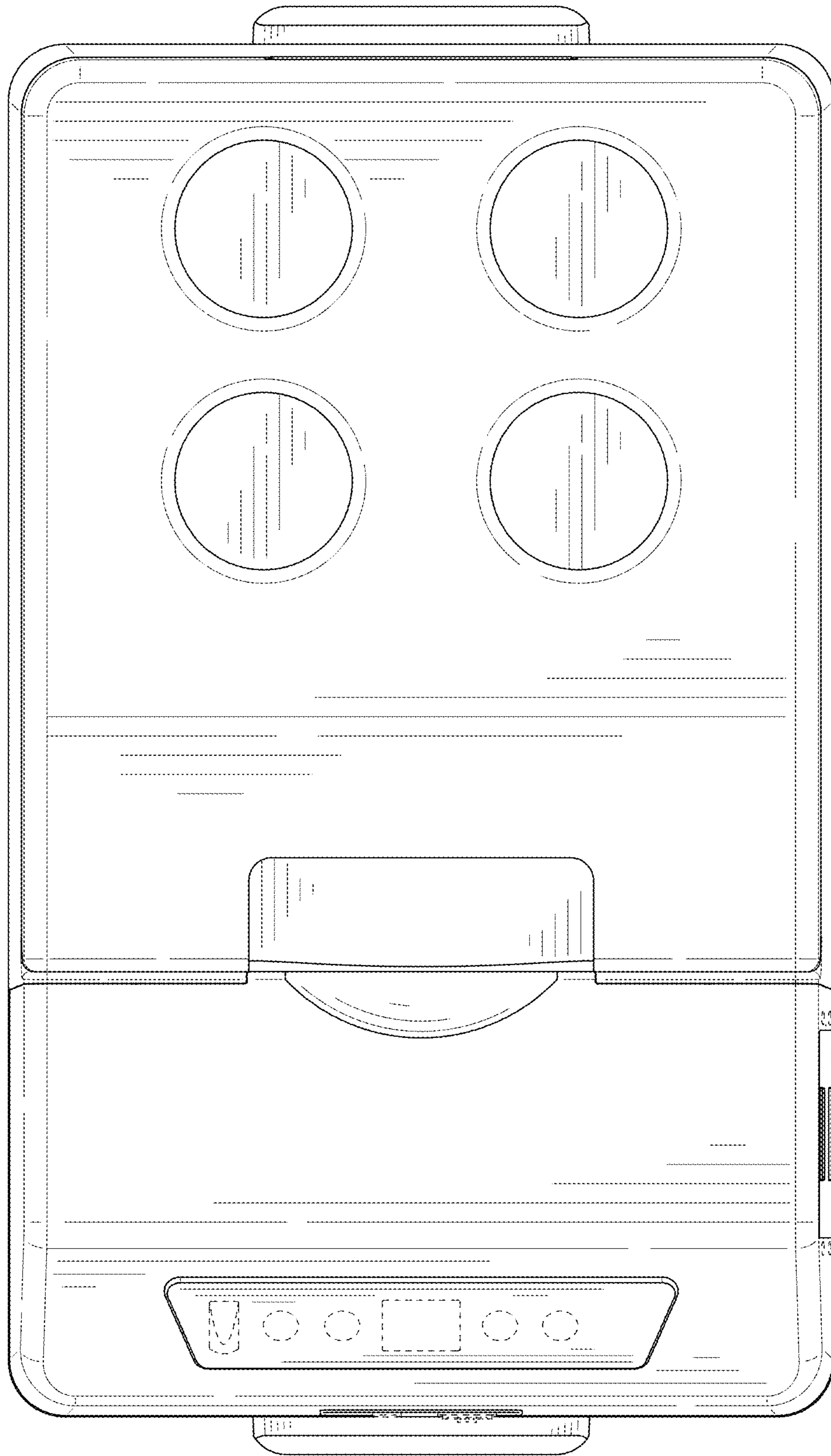


FIG. 7

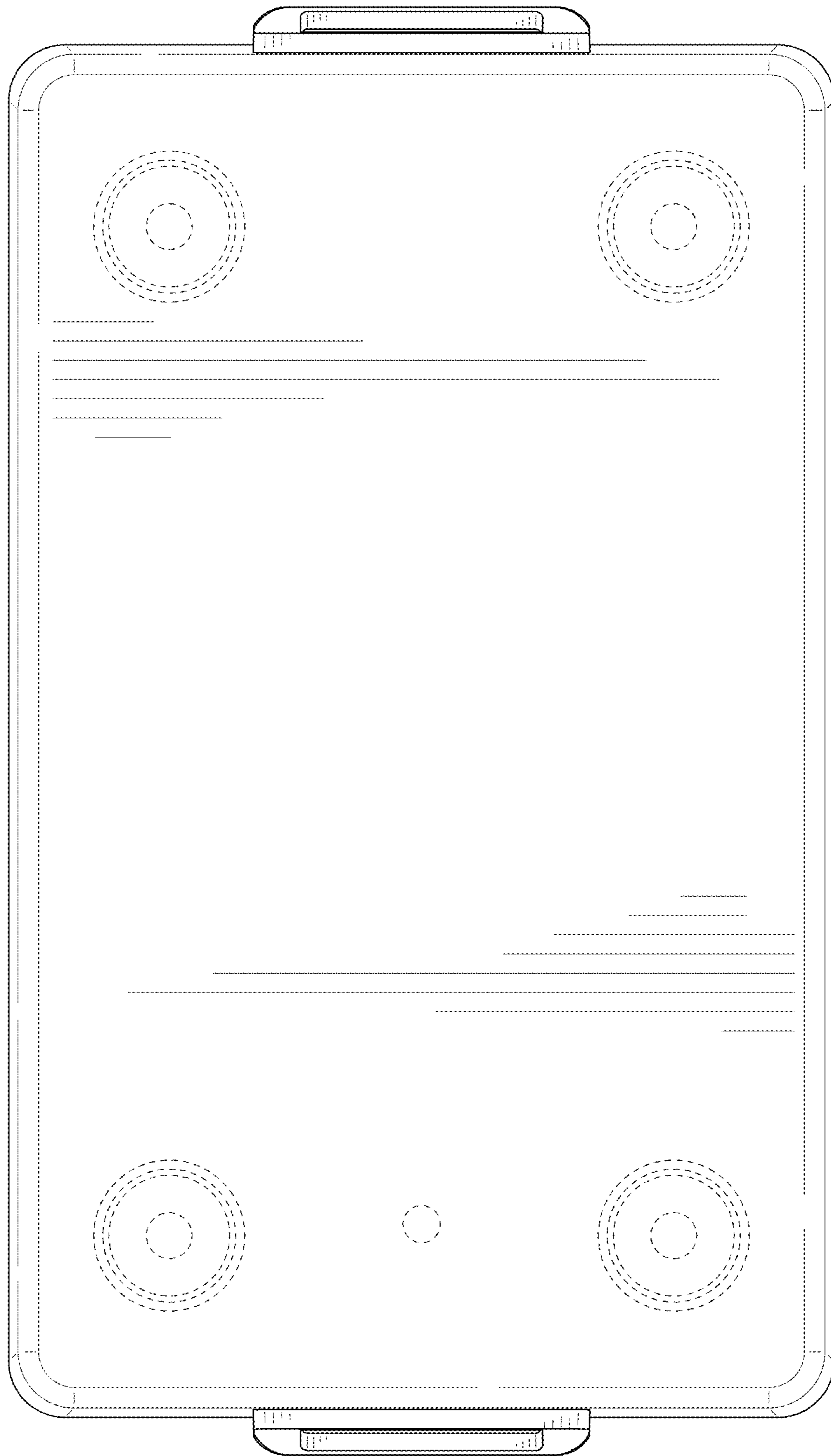


FIG. 8

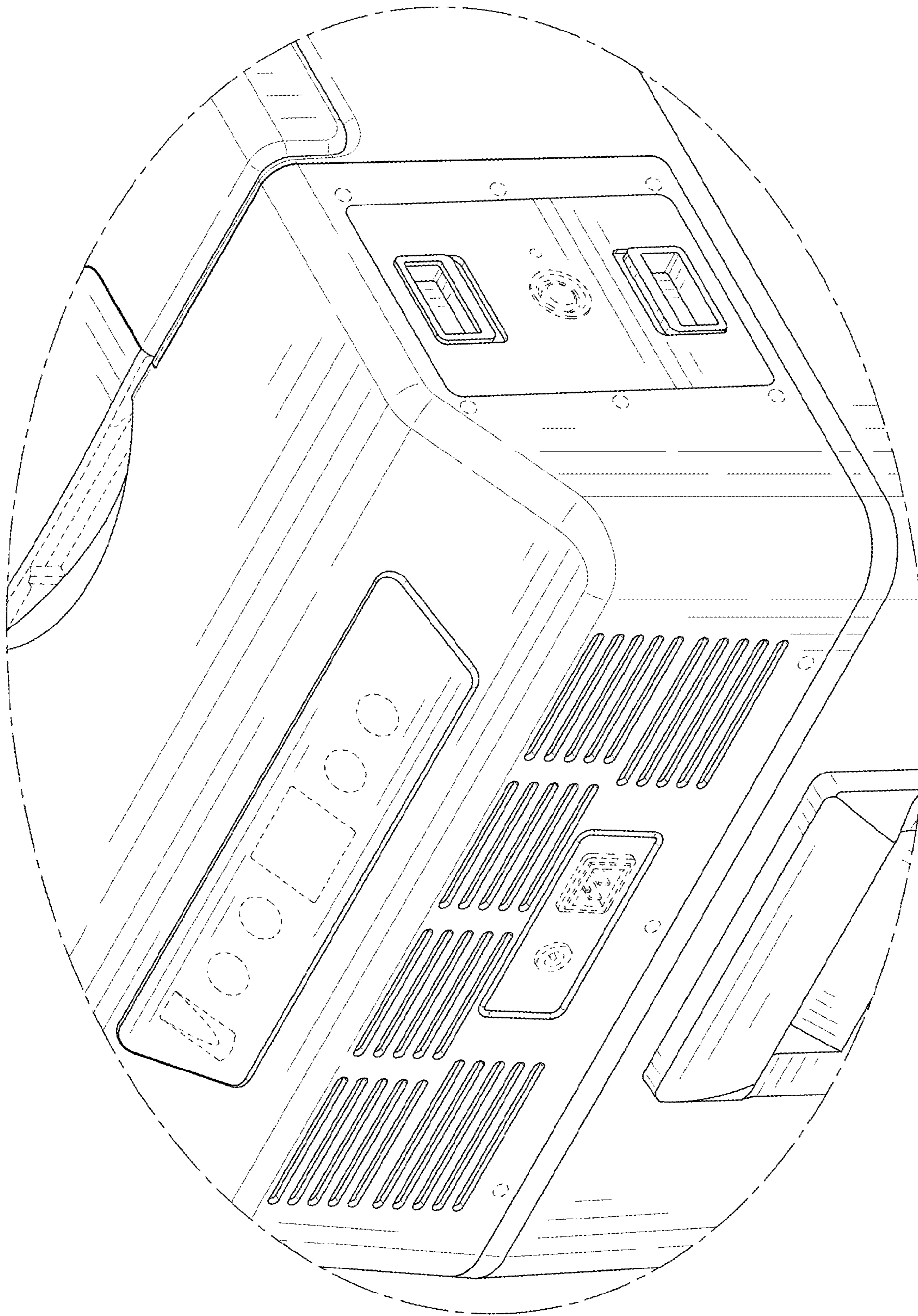


FIG. 9