



US00D916142S

(12) **United States Design Patent**
Donadon et al.

(10) **Patent No.:** **US D916,142 S**
(45) **Date of Patent:** **** Apr. 13, 2021**

(54) **AGRICULTURAL MACHINE**

A01B 61/048; A01B 5/04; A01B 49/027;
A01C 7/208; A01C 7/18; A01C 7/00

(71) Applicant: **MASCHIO GASPARDO S.P.A.**,
Campodarsego (IT)

See application file for complete search history.

(72) Inventors: **Gianfranco Donadon**, Concordia
Sagittaria (IT); **Luigi Giovanni Bot**,
Portogruaro (IT); **Raffaele Cian**,
Campodarsego (IT)

(56) **References Cited**

U.S. PATENT DOCUMENTS

(73) Assignee: **MASCHIO GASPARDO S.P.A.**,
Campodarsego (IT)

| | | | | |
|-----------|-----|---------|--------------------|------------------------|
| 4,070,974 | A * | 1/1978 | Stacy, Jr. | A01C 5/06 111/169 |
| 5,158,411 | A * | 10/1992 | Kemmner | A01C 5/06 111/131 |
| 5,333,559 | A * | 8/1994 | Hodapp | A01B 49/06 111/152 |
| 5,396,851 | A * | 3/1995 | Beaujot | A01C 7/06 111/187 |
| 5,413,056 | A * | 5/1995 | Freed | A01B 13/025 111/139 |
| 5,429,195 | A * | 7/1995 | Turnis | A01B 73/065 172/311 |
| 5,517,932 | A * | 5/1996 | Ott | A01C 5/068 111/166 |
| 5,524,558 | A * | 6/1996 | Pierzchalski | A01C 15/122 111/170 |
| 5,535,688 | A * | 7/1996 | Kaufman | A01B 73/067 111/52 |

(**) Term: **15 Years**

(21) Appl. No.: **35/505,013**

(22) Filed: **May 9, 2018**

(80) **Hague Agreement Data**

Int. Filing Date: **May 9, 2018**
Int. Reg. No.: **DM/101131**
Int. Reg. Date: **May 9, 2018**
Int. Reg. Pub. Date: **Jun. 1, 2018**

(Continued)

Primary Examiner — Richard E Chilcot

(74) *Attorney, Agent, or Firm* — Volpe Koenig

(30) **Foreign Application Priority Data**

Nov. 10, 2017 (IT) 402017000128796

(51) **LOC (13) Cl.** **15-03**

(52) **U.S. Cl.**
USPC **D15/12**
CPC **A01C 7/18** (2013.01)

(58) **Field of Classification Search**
USPC D15/10, 12, 27, 28, 22, 26; 56/15.8,
56/15.9; 172/210, 311, 456, 466, 481,
172/484, 605, 626, 776, 507, 538, 518;
280/411.1, 412, 413, 415 R, 482, 656;
111/157, 170, 149, 139, 140, 900, 924
CPC A01B 73/065; A01B 73/005; A01B 73/00;
A01B 73/02; A01B 73/04; A01B 73/06;
A01B 49/06; A01B 49/00; A01B 61/044;

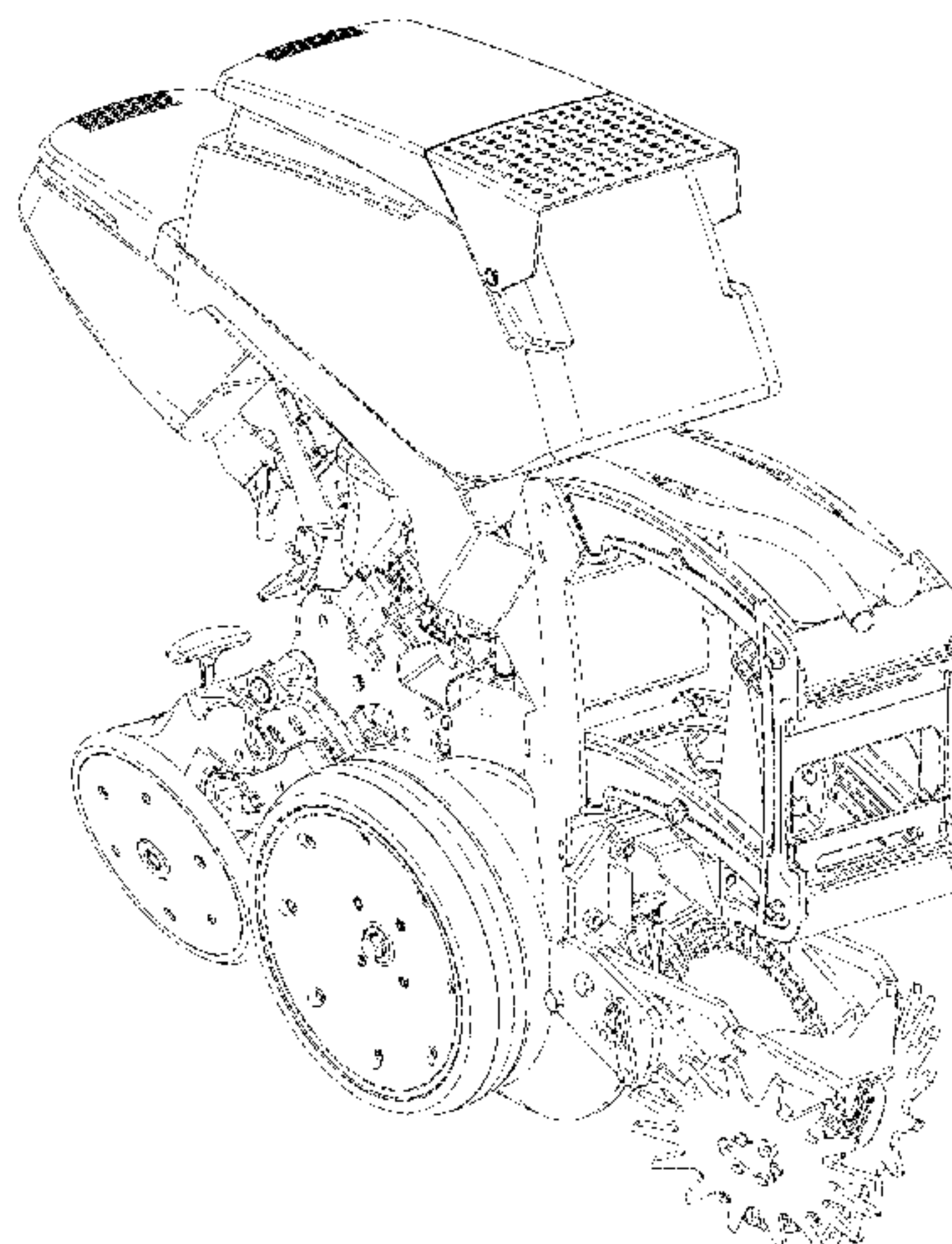
(57) **CLAIM**

The ornamental design for an agricultural machine, as shown and described.

DESCRIPTION

- 11. Agricultural machine
- 11.1** is a right-side view of the agricultural machine showing our new design;
- 11.2** is a front-right perspective view thereof;
- 11.3** is a front-left perspective view thereof;
- 11.4** is a rear-left perspective view thereof;
- 11.5** is a rear view thereof; and
- 11.6** is a left-side view thereof.

(Continued)



The broken lines in the figures form no part of the claimed design.

1 Claim, 6 Drawing Sheets

(56)

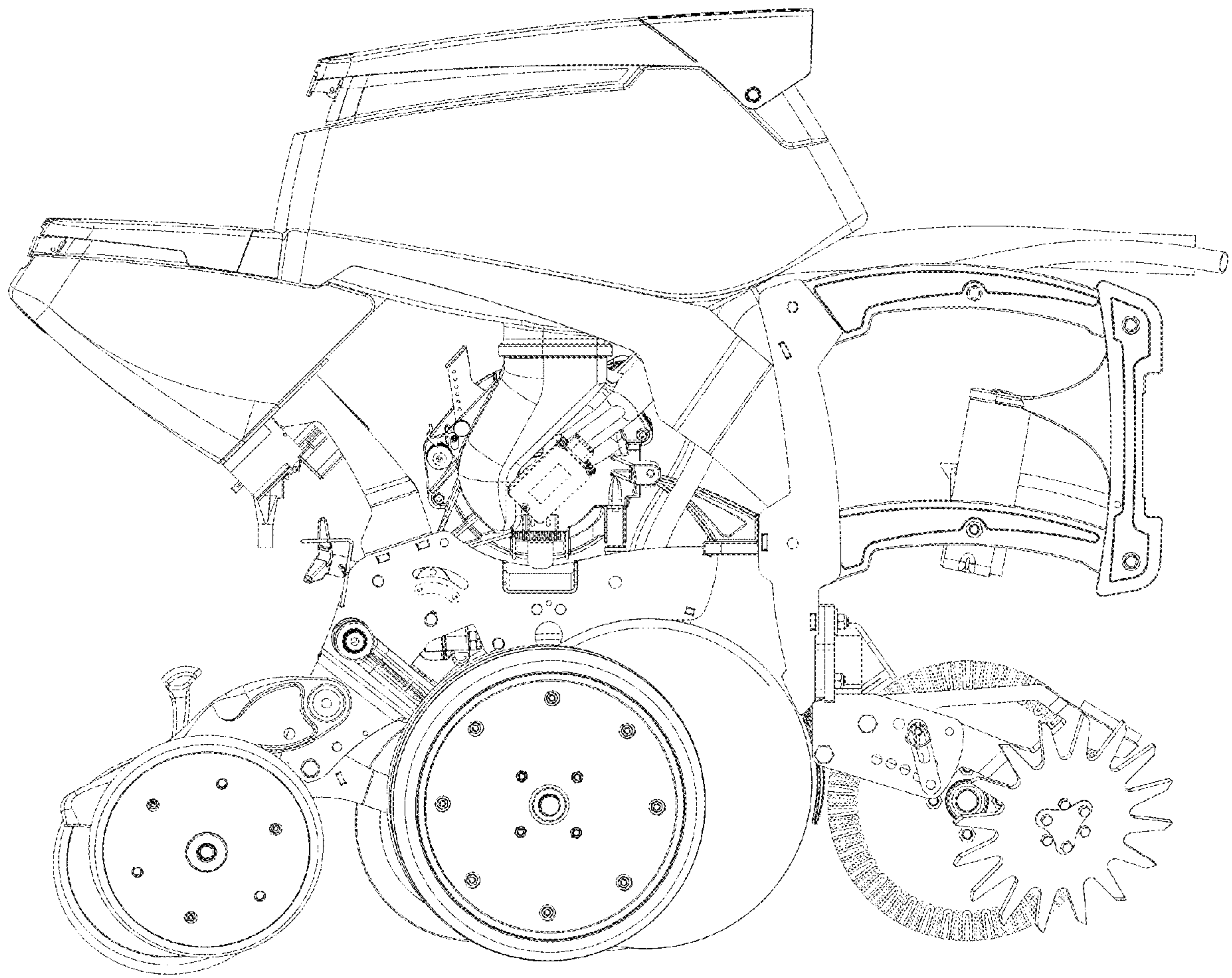
References Cited

U.S. PATENT DOCUMENTS

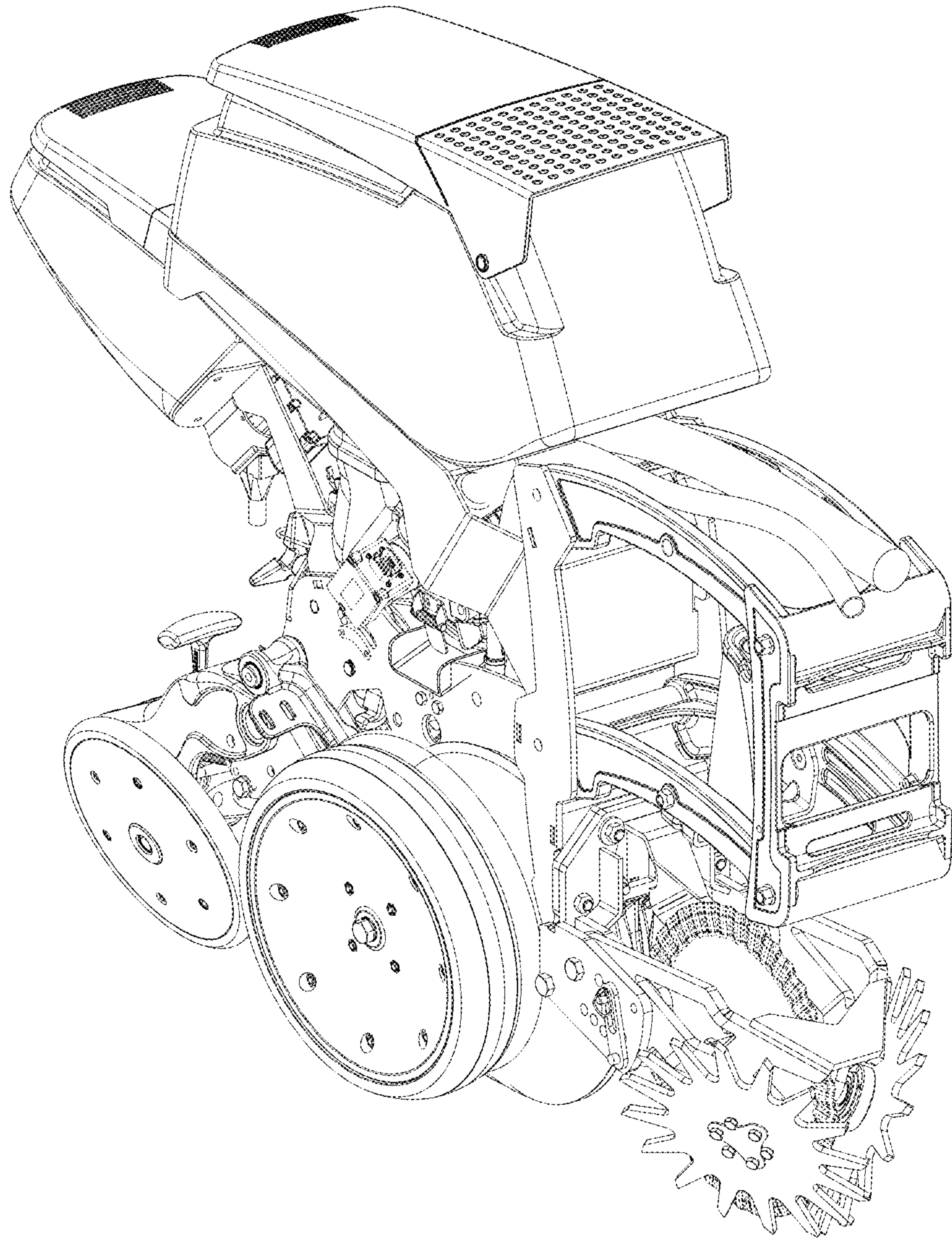
6,032,593 A * 3/2000 Wendling A01C 5/064
111/187
6,325,156 B1 * 12/2001 Barry A01B 15/18
172/518
D469,782 S * 2/2003 Paluch D15/10
D469,783 S * 2/2003 Paluch D15/10
6,776,108 B2 * 8/2004 Crabb A01C 7/042
111/185
6,843,186 B2 * 1/2005 Shoup A01C 7/08
111/59
7,152,539 B2 * 12/2006 Swanson A01C 5/064
111/119
7,168,376 B2 * 1/2007 Johnston A01C 5/064
111/150

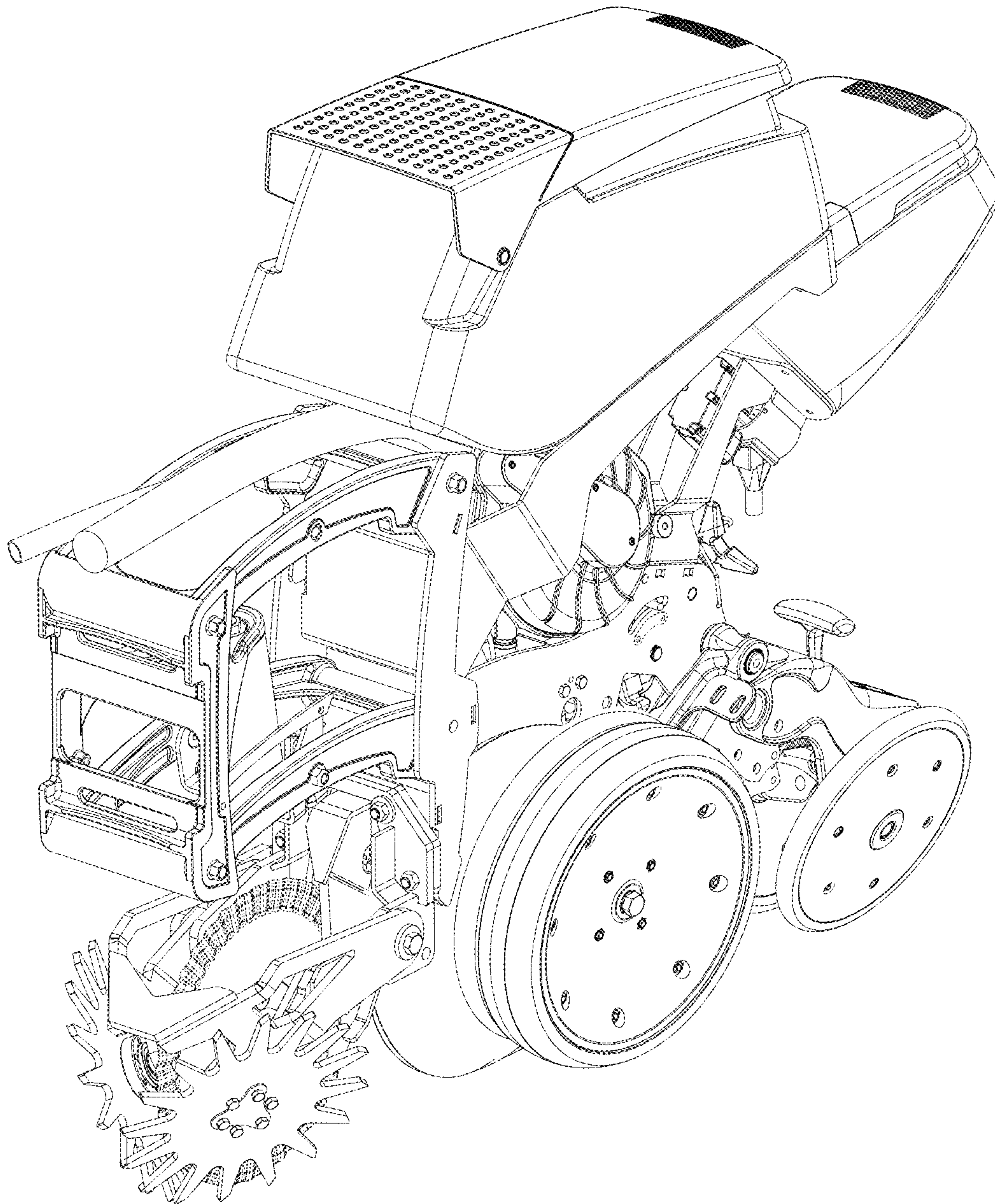
7,255,050 B2 * 8/2007 Johannaber A01C 7/046
111/185
D559,868 S * 1/2008 Nanlawala D15/10
D598,936 S * 8/2009 Hall D15/11
D644,253 S * 8/2011 Donadon D15/10
D760,810 S * 7/2016 Dal Moro D15/27
D762,738 S * 8/2016 Dal Moro D15/27
D766,992 S * 9/2016 Anderson D15/10
D767,642 S * 9/2016 Anderson D15/10
D768,729 S * 10/2016 Long D15/10
D838,296 S * 1/2019 Zubelli D15/27
2002/0162492 A1 * 11/2002 Juptner A01C 5/064
111/140
2004/0089209 A1 * 5/2004 Joaquin Romagnoli
A01C 5/06
111/185
2007/0215024 A1 * 9/2007 Sanguinetti A01M 7/0082
111/118
2008/0264312 A1 * 10/2008 Choulet A01C 7/088
111/69
2008/0276848 A1 * 11/2008 Schilling A01C 5/064
111/149
2009/0025619 A1 * 1/2009 Vandersnick A01C 7/205
111/135

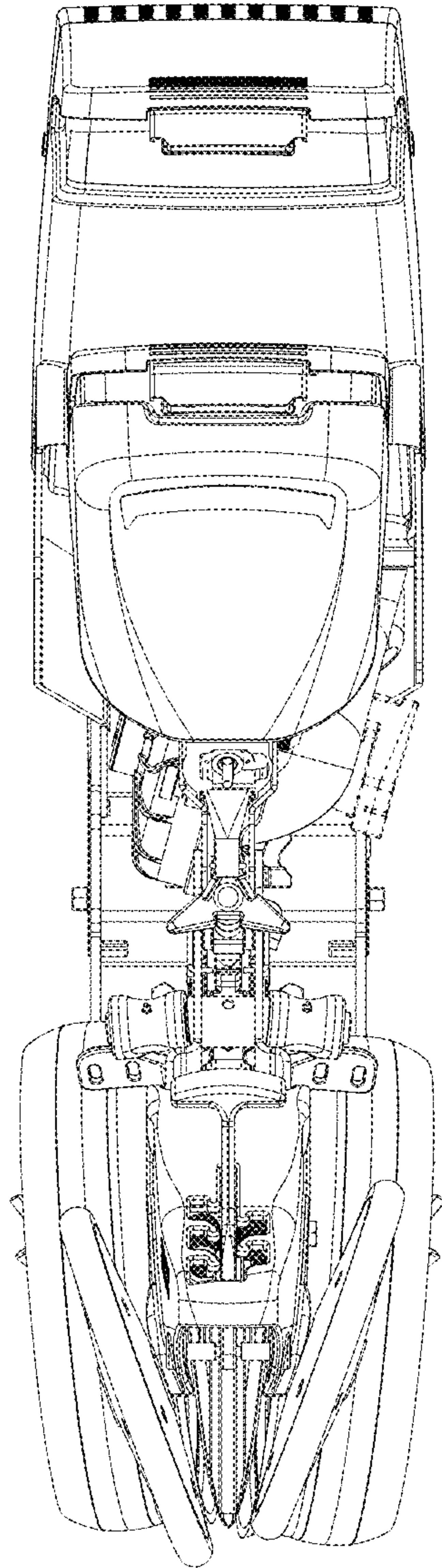
* cited by examiner



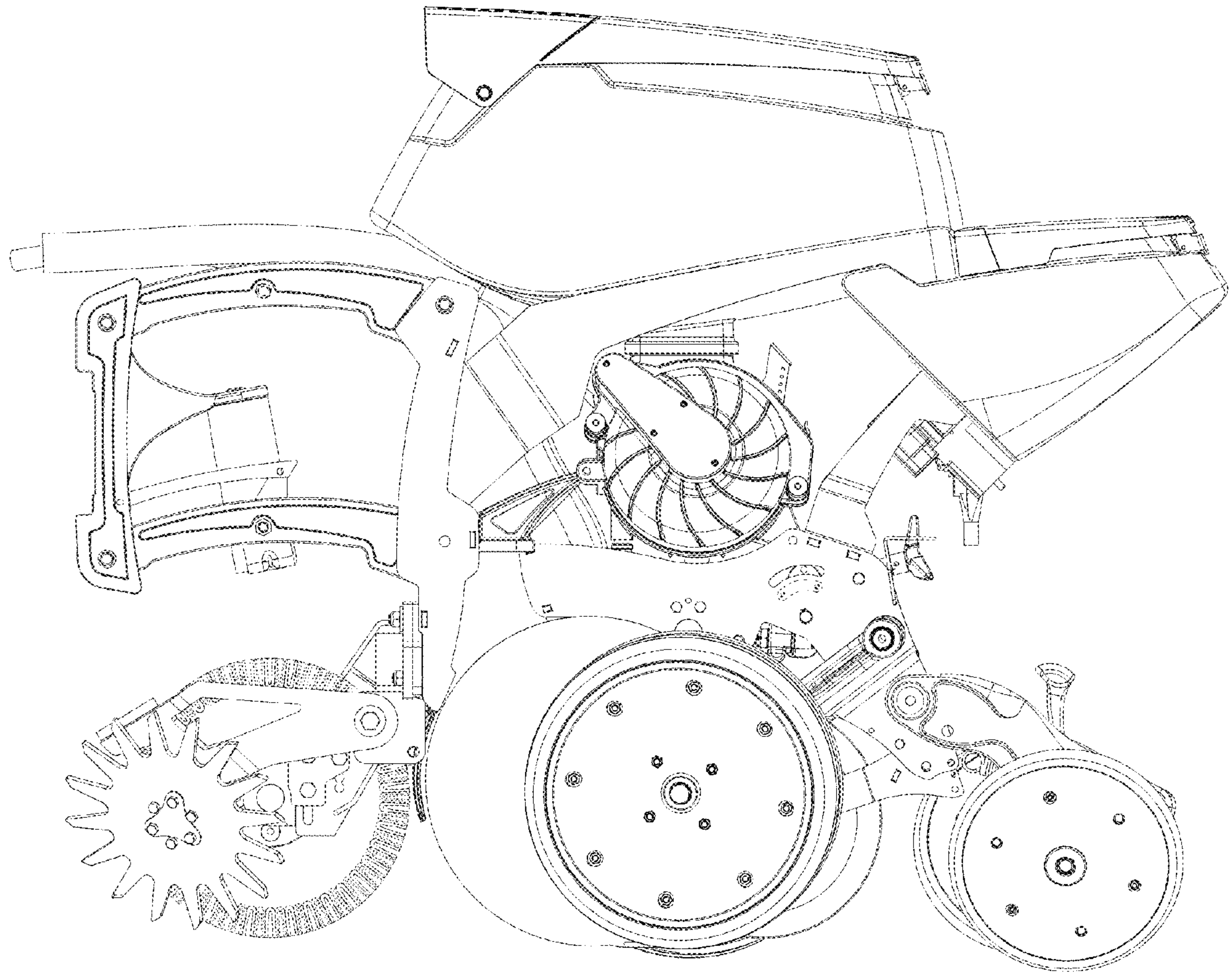
11.1







11.5



11.6