



US00D916141S

(12) **United States Design Patent**  
**Matteo**

(10) **Patent No.:** **US D916,141 S**  
(45) **Date of Patent:** **\*\* Apr. 13, 2021**

(54) **AIR COMPRESSOR**

(71) Applicant: **Harbor Freight Tools USA, Inc.**,  
Calabasas, CA (US)

(72) Inventor: **Michael Matteo**, Los Angeles, CA (US)

(73) Assignee: **Harbor Freight Tools USA, INC.**,  
Calabasas, CA (US)

(\*\*) Term: **15 Years**

(21) Appl. No.: **29/704,775**

(22) Filed: **Sep. 6, 2019**

(51) **LOC (13) Cl.** ..... **15-02**

(52) **U.S. Cl.**  
USPC ..... **D15/9**

(58) **Field of Classification Search**  
USPC ..... D13/103, 107; D23/210, 225, 231, 232;  
D15/7-9  
CPC ..... F04B 41/00; F04B 41/02; F04B 41/04;  
F04B 41/06; F04B 35/00; F04B 35/06;  
F04B 35/002; F04B 35/86; F04B 31/00;  
F04B 49/00; F04B 17/03; F04B 17/06;  
F04B 33/005; F04B 33/00; F04B 33/02;  
F04B 25/005

See application file for complete search history.

(56) **References Cited**

**U.S. PATENT DOCUMENTS**

D293,585 S \* 1/1988 Morgan ..... D15/9  
5,054,740 A \* 10/1991 Wheeler ..... F16M 11/22  
248/675  
D352,294 S \* 11/1994 Morgan ..... D15/9  
(Continued)

**OTHER PUBLICATIONS**

McGraw, 21 Gallon 175 PSI Oil-Free Vertical Air Compressor, (site visited Jun. 30, 2020), Harbor Freight website, URL:<<https://www.harborfreight.com/21-gallon-175-PSI-Oil-Free-Vertical-Air-Compressor-64858.html>> (Year: 2020).\*

harborfreight.com/21-gallon-175-PSI-Oil-Free-Vertical-Air-Compressor-64858.html> (Year: 2020).\*

(Continued)

*Primary Examiner* — Sheryl Lane

*Assistant Examiner* — Mark T. Philipps

(74) *Attorney, Agent, or Firm* — McAndrews Held & Malloy, Ltd.

(57) **CLAIM**

The ornamental design for an air compressor, as shown and described.

**DESCRIPTION**

FIG. 1 is a top-front perspective view of an air compressor showing my new design;

FIG. 2 is a front elevation view thereof;

FIG. 3 is a rear elevation view thereof;

FIG. 4 is a right side elevation view thereof;

FIG. 5 is a left side elevation view thereof;

FIG. 6 is a top plan view thereof;

FIG. 7 is a bottom plan view thereof;

FIG. 8 is a bottom-rear perspective view thereof;

FIG. 9 is an enlarged view of the portion 9 encircled in FIG. 1;

FIG. 10 is an enlarged view of the portion 10 encircled in FIG. 2;

FIG. 11 is an enlarged view of the portion 11 encircled in FIG. 3;

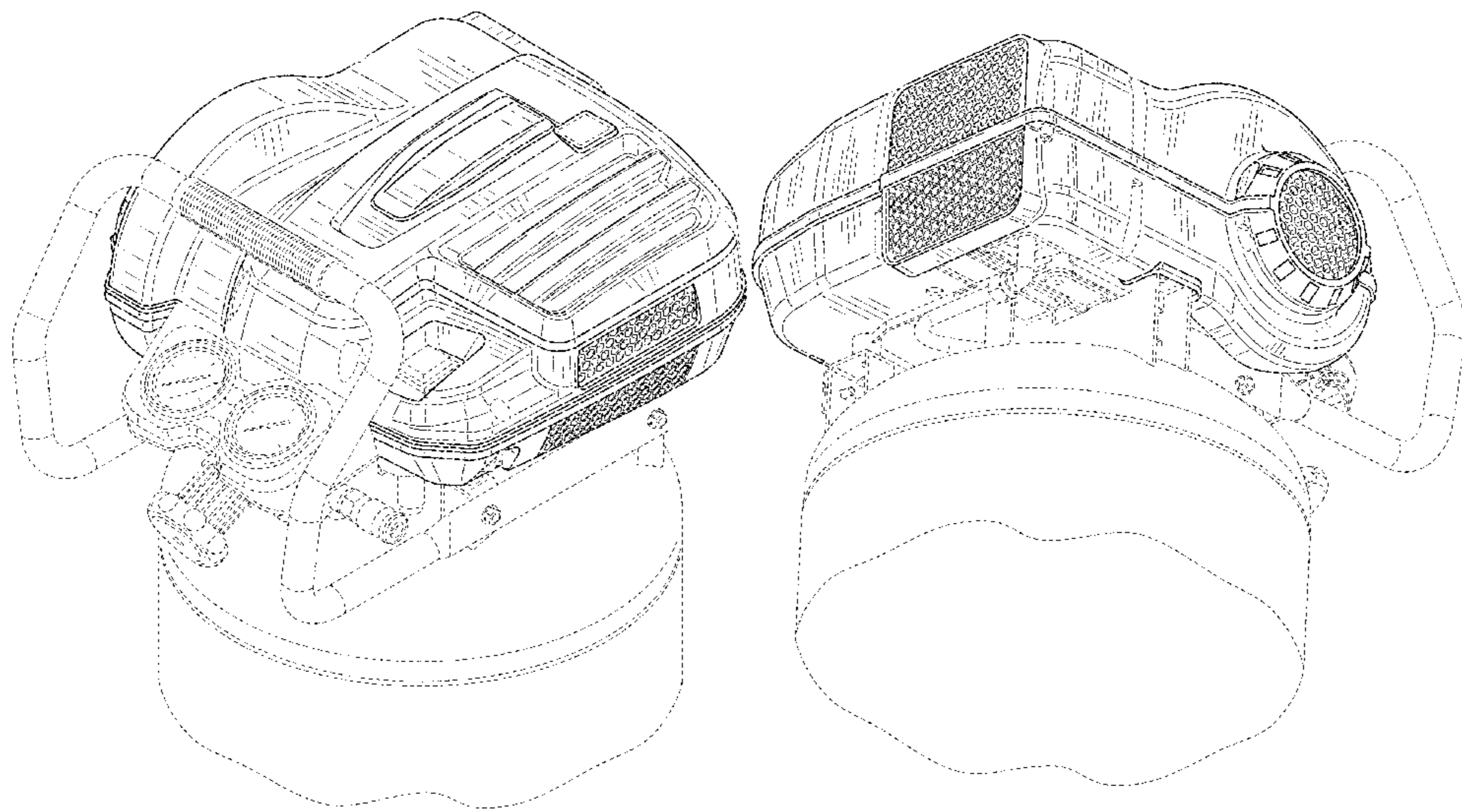
FIG. 12 is an enlarged view of the portion 12 encircled in FIG. 4;

FIG. 13 is an enlarged view of the portion 13 encircled in FIG. 5; and,

FIG. 14 is an enlarged view of the portion 14 encircled in FIG. 8.

The dashed broken lines in the figures illustrate portions of the air compressor that form no part of the claimed design. The dot-dash broken lines in the drawings encircle portions of the claimed design that are illustrated in enlargements and form no part of the claimed design.

**1 Claim, 14 Drawing Sheets**



(56)

References Cited

U.S. PATENT DOCUMENTS

D434,048 S \* 11/2000 Orschell ..... D15/9  
 D475,721 S \* 6/2003 Harper ..... D15/9  
 D478,095 S \* 8/2003 Reger ..... D15/9  
 D500,769 S \* 1/2005 Montgomery ..... D15/7  
 D519,126 S \* 4/2006 Leasure ..... D15/9  
 D534,287 S \* 12/2006 Krieger ..... D26/38  
 D534,549 S \* 1/2007 Beecham ..... D15/9  
 D534,926 S \* 1/2007 Beecham ..... D15/9  
 D535,309 S \* 1/2007 Breecham ..... D15/9  
 D557,710 S \* 12/2007 Sharp ..... D15/9  
 D562,851 S \* 2/2008 Leasure ..... D15/9  
 D575,308 S \* 8/2008 Plunk ..... D15/9  
 D576,512 S \* 9/2008 Leasure ..... D15/7  
 D579,462 S \* 10/2008 Leasure ..... D15/7  
 D579,463 S \* 10/2008 Plunk ..... D15/9  
 D585,460 S \* 1/2009 Plunk ..... D15/9  
 D588,612 S \* 3/2009 Steinfels ..... D15/7  
 D589,065 S \* 3/2009 Leasure ..... D15/9  
 D589,066 S \* 3/2009 Leasure ..... D15/9  
 D589,535 S \* 3/2009 Leasure ..... D15/9  
 D589,985 S \* 4/2009 Steinfels ..... D15/9  
 D604,746 S \* 11/2009 Nishido ..... D15/7  
 D617,347 S \* 6/2010 Plunk ..... D15/9  
 D622,739 S \* 8/2010 Bass ..... D15/9  
 D635,587 S \* 4/2011 Schleef ..... D15/7  
 D636,409 S \* 4/2011 Wilmes ..... D15/9

D637,211 S \* 5/2011 Parks ..... D15/9  
 D666,224 S \* 8/2012 Pruszynski ..... D15/79  
 D667,467 S \* 9/2012 Kosugi ..... D15/9  
 D680,556 S \* 4/2013 Craig ..... D15/7  
 D776,168 S \* 1/2017 Balma ..... D15/9  
 D791,564 S \* 7/2017 Balma ..... D8/62  
 D800,177 S \* 10/2017 Balma ..... D15/9  
 D806,755 S \* 1/2018 Wood ..... D15/9  
 D898,776 S \* 10/2020 Gao ..... D15/9  
 D900,881 S \* 11/2020 Venturi ..... D15/9  
 D900,882 S \* 11/2020 Vintzel ..... D15/9  
 D902,259 S \* 11/2020 Vintzel ..... D15/9  
 D902,260 S \* 11/2020 Vintzel ..... D15/9  
 2006/0104837 A1 \* 5/2006 Lee ..... F04B 41/02  
 417/415  
 2011/0132018 A1 \* 6/2011 Chang ..... F25B 45/00  
 62/298  
 2018/0320677 A1 \* 11/2018 Thackery ..... F04B 41/02

OTHER PUBLICATIONS

DeWalt, Dewalt 15-Gallon Single Stage Portable Electric Vertical Air Compressor, (site visited Jun. 30, 2020), Lowes Website, URL: <<https://www.lowes.ca/product/air-compressors/dewalt-15-gallon-single-stage-portable-electric-vertical-air-compressor-203680>> (Year: 2020).\*

\* cited by examiner

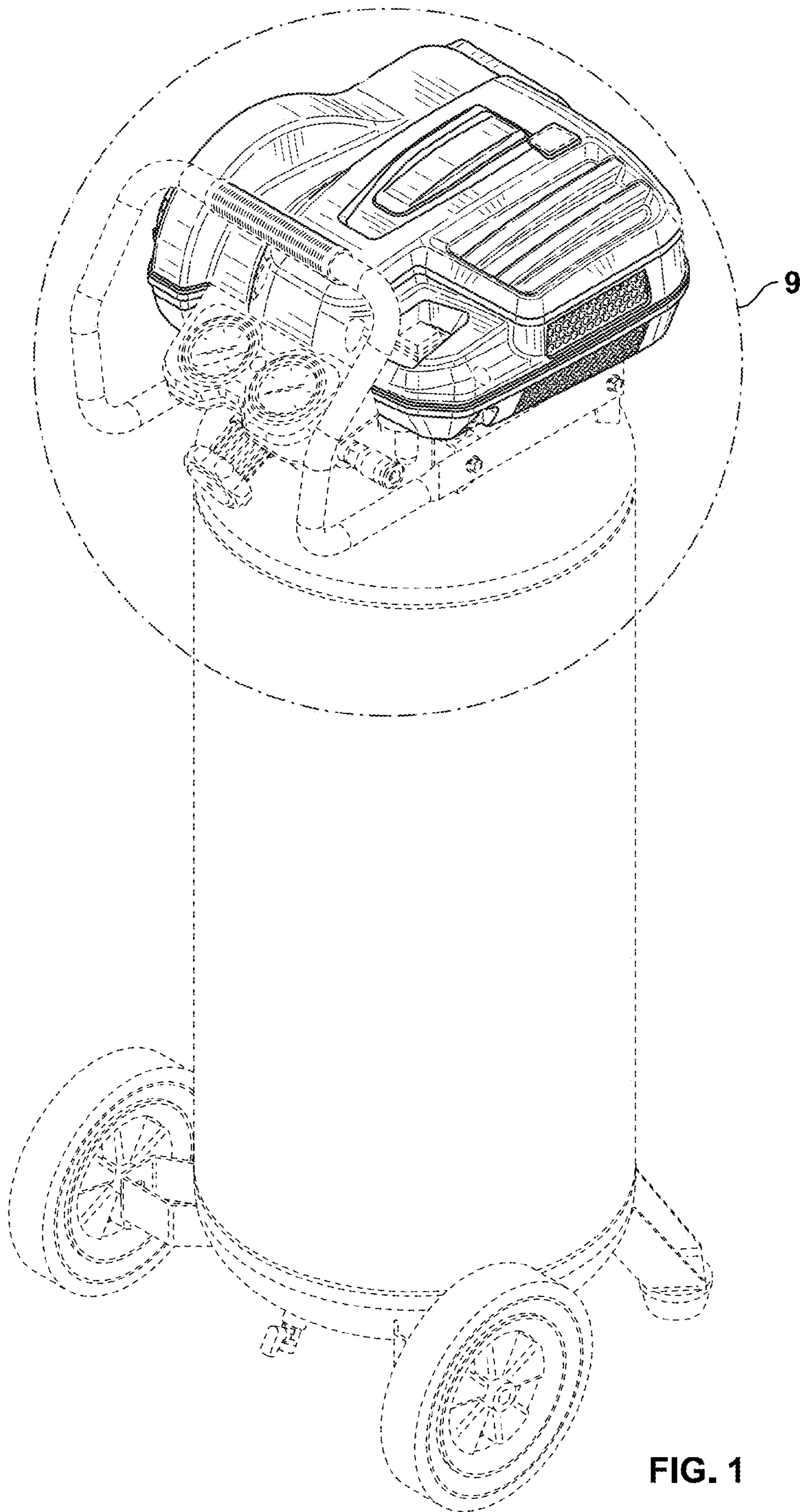


FIG. 1

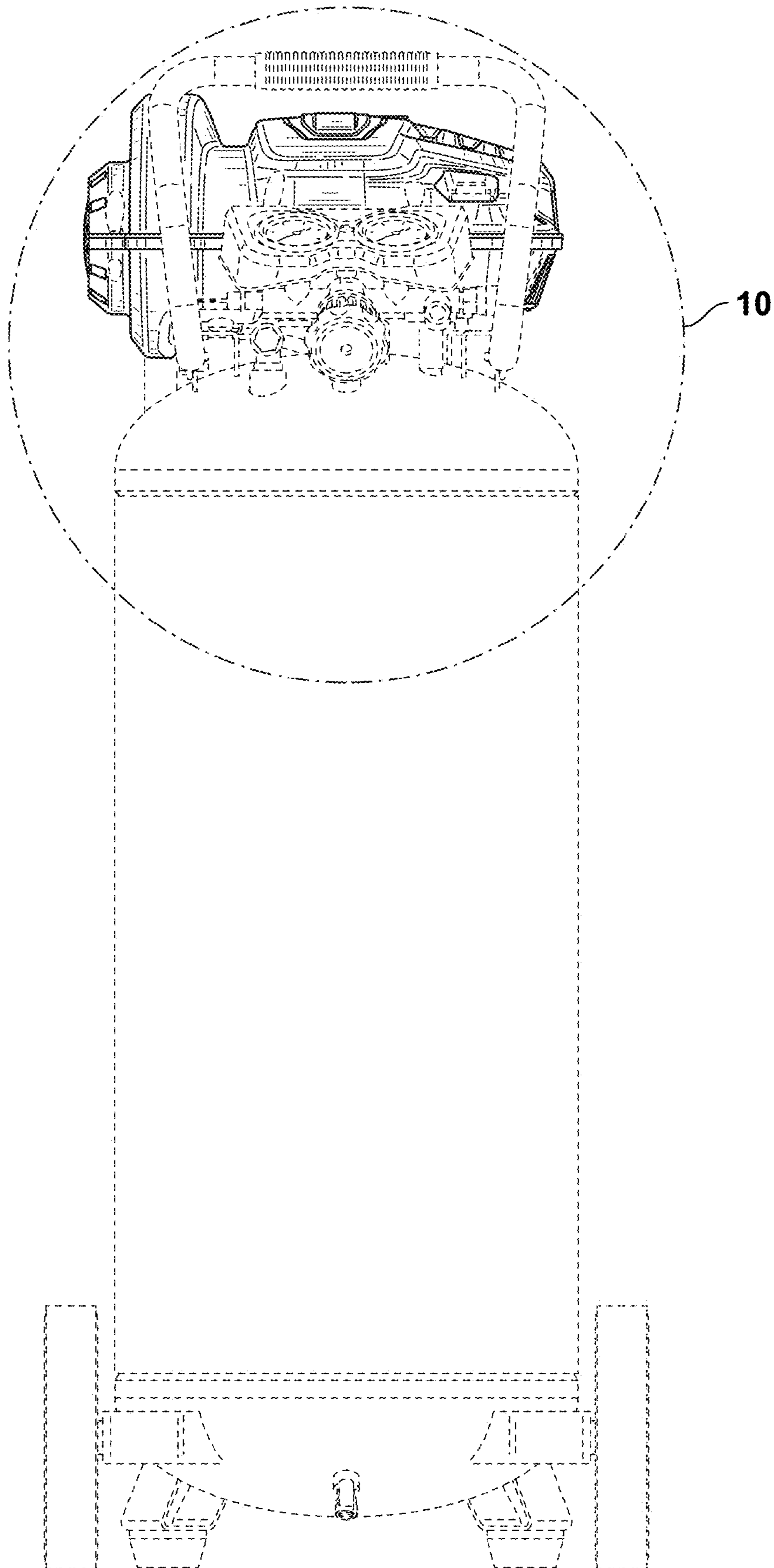


FIG. 2

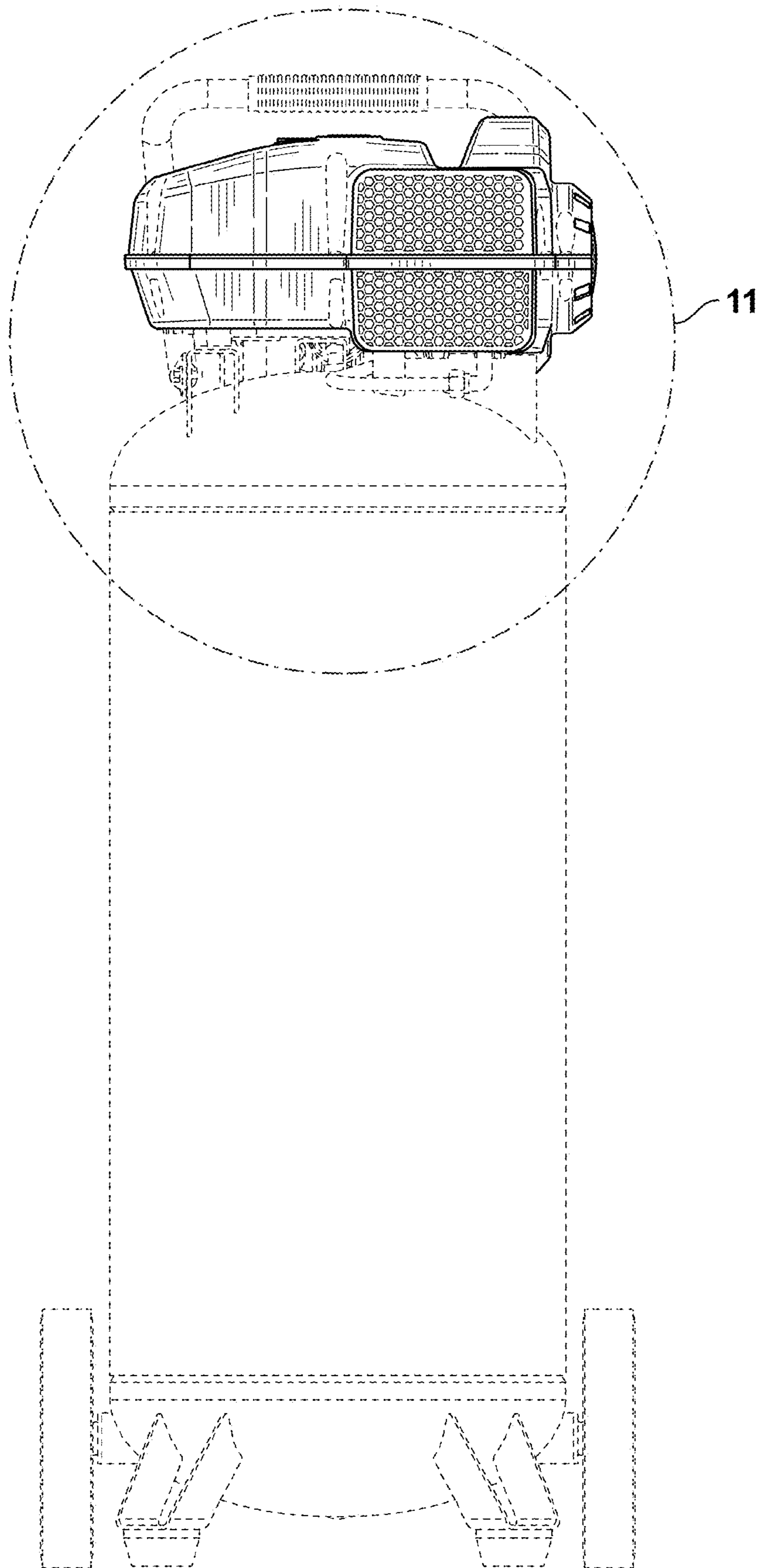


FIG. 3

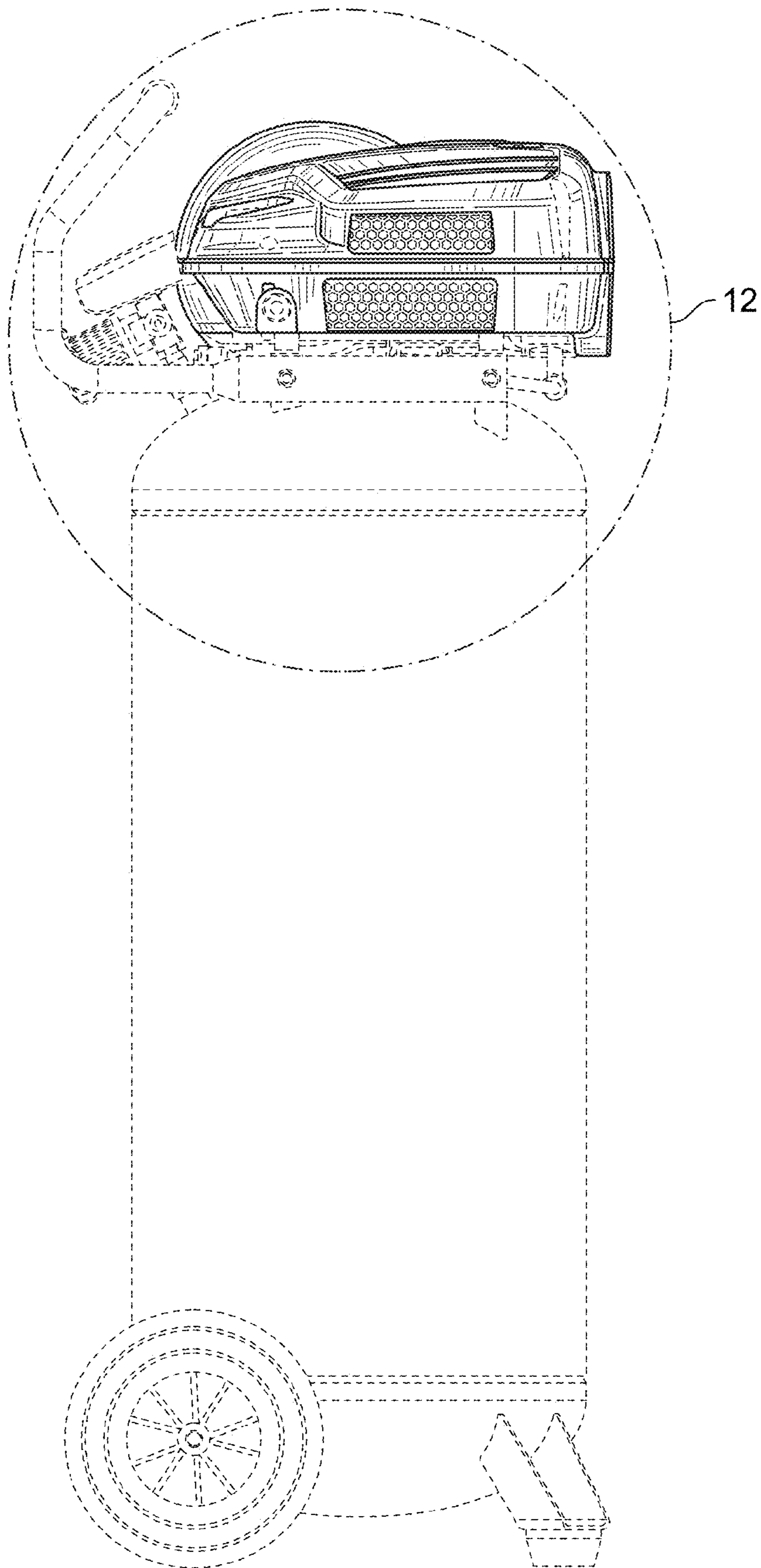


FIG. 4

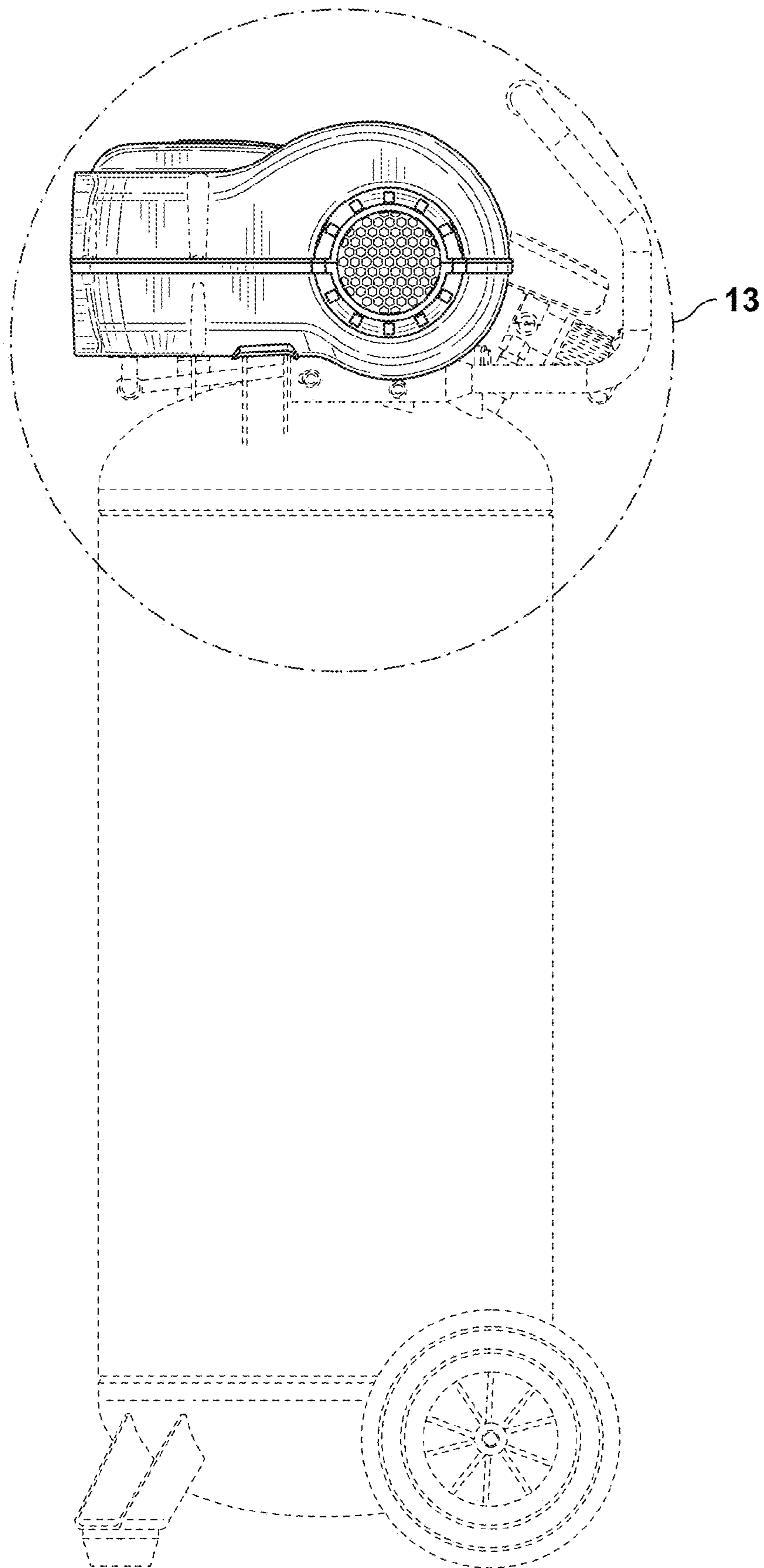


FIG. 5

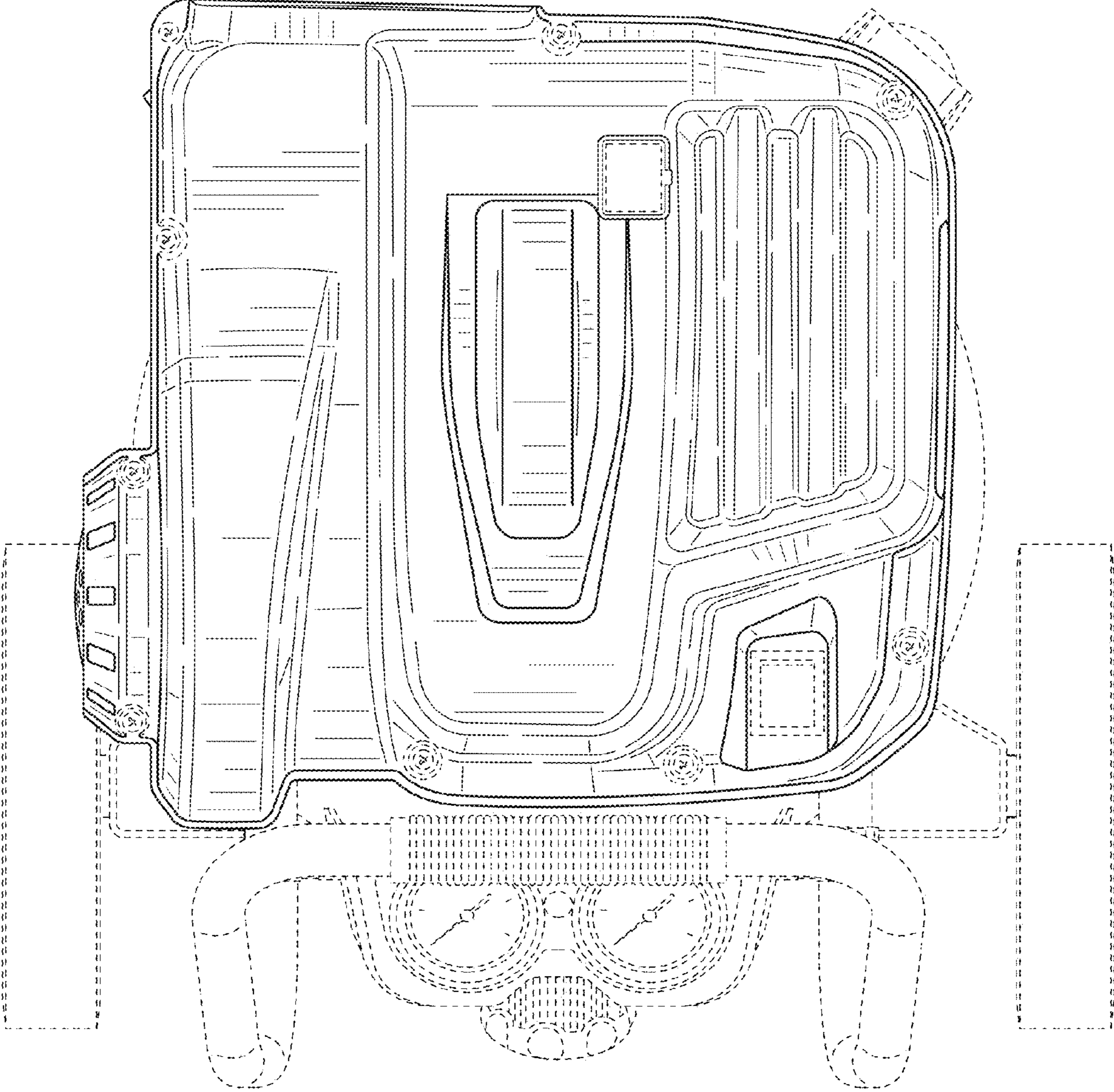


FIG. 6



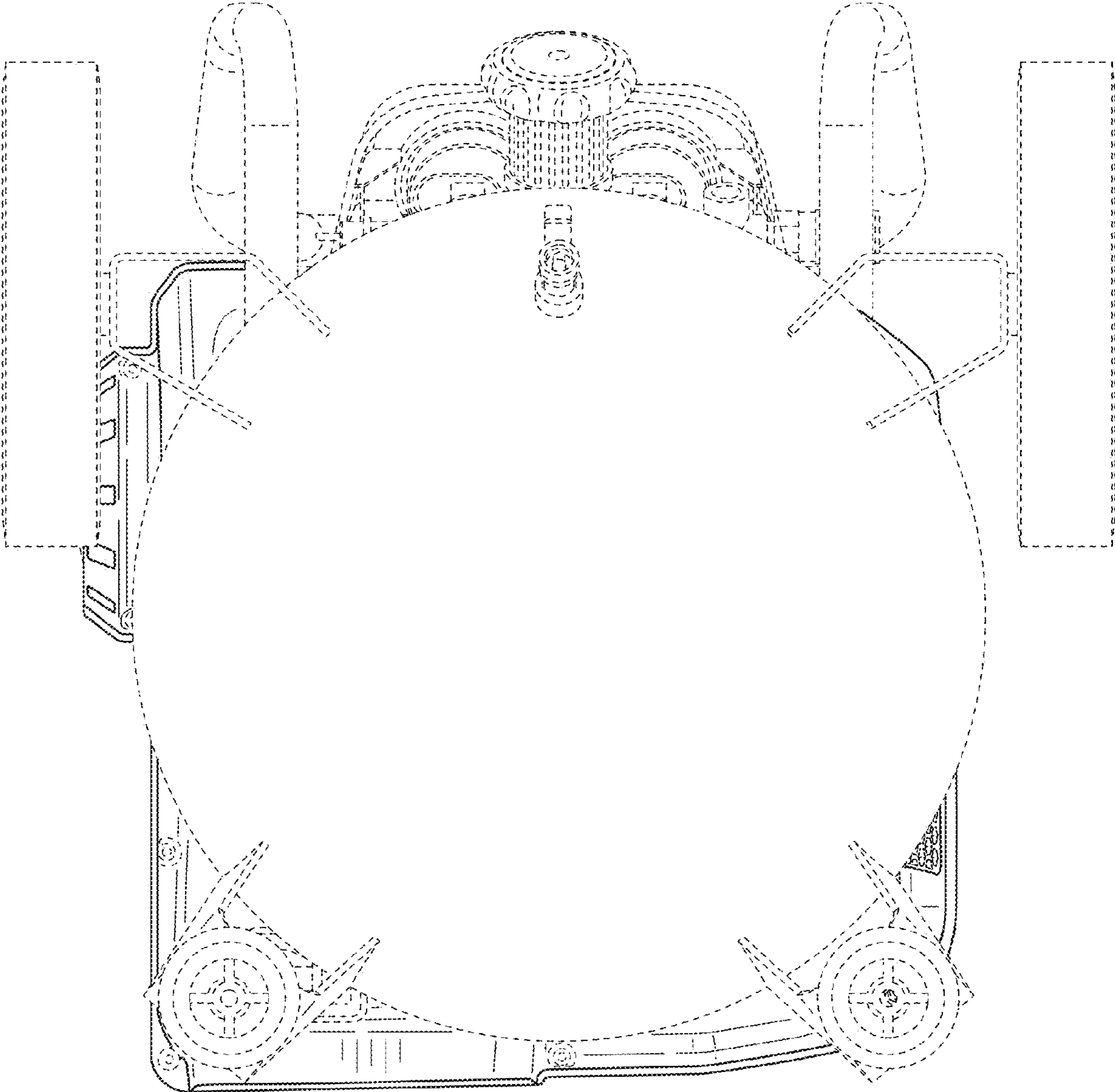
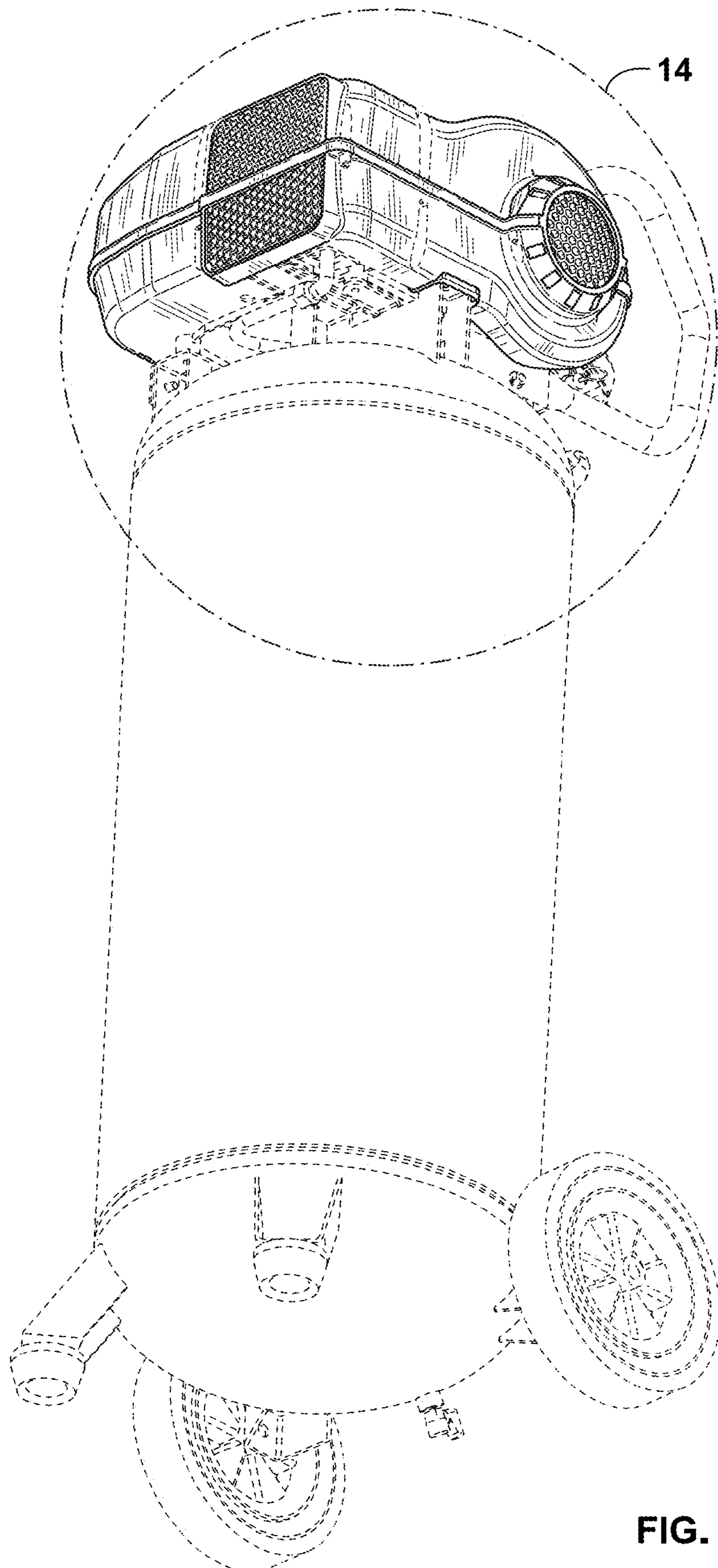


FIG. 7



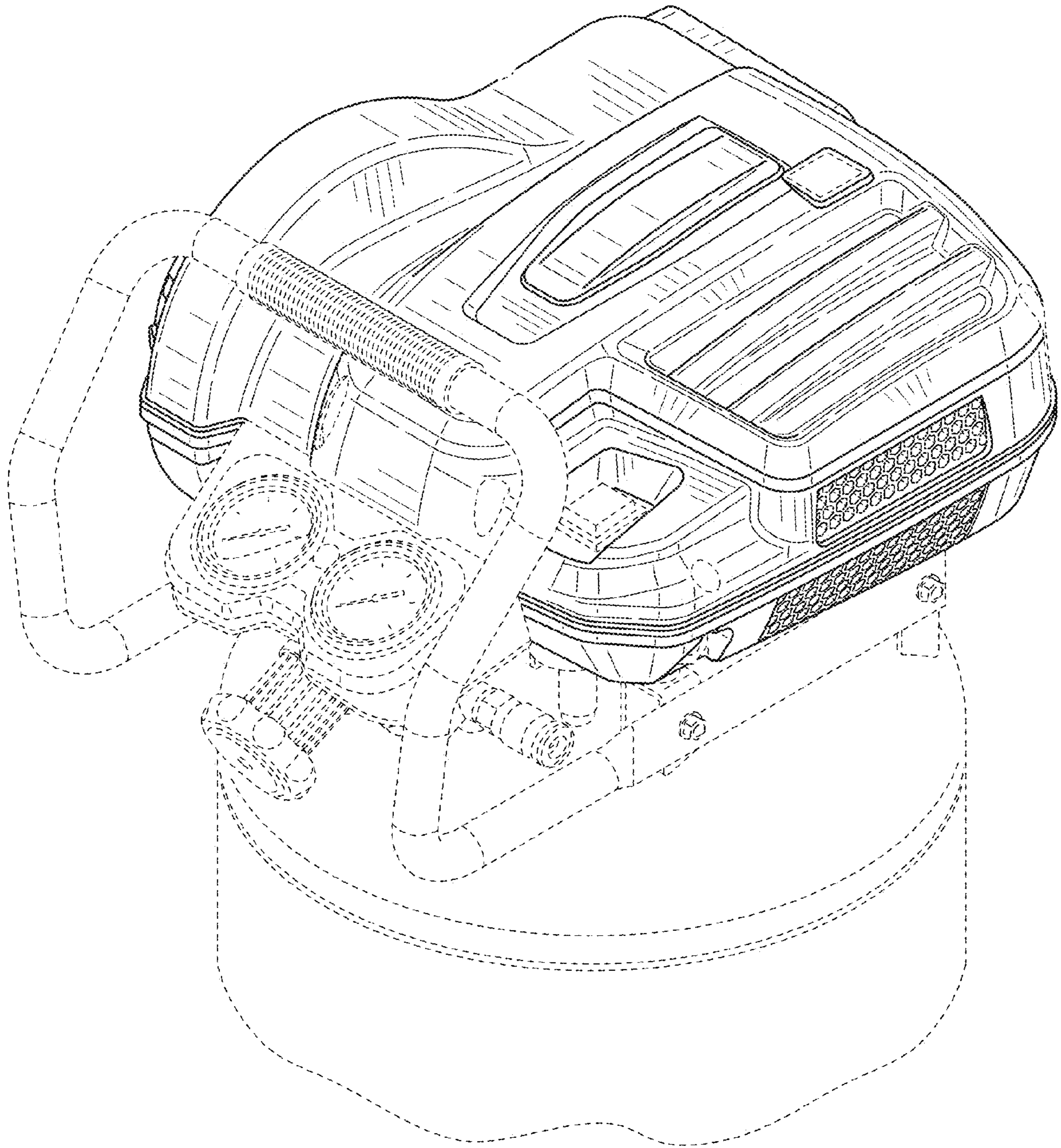


FIG. 9

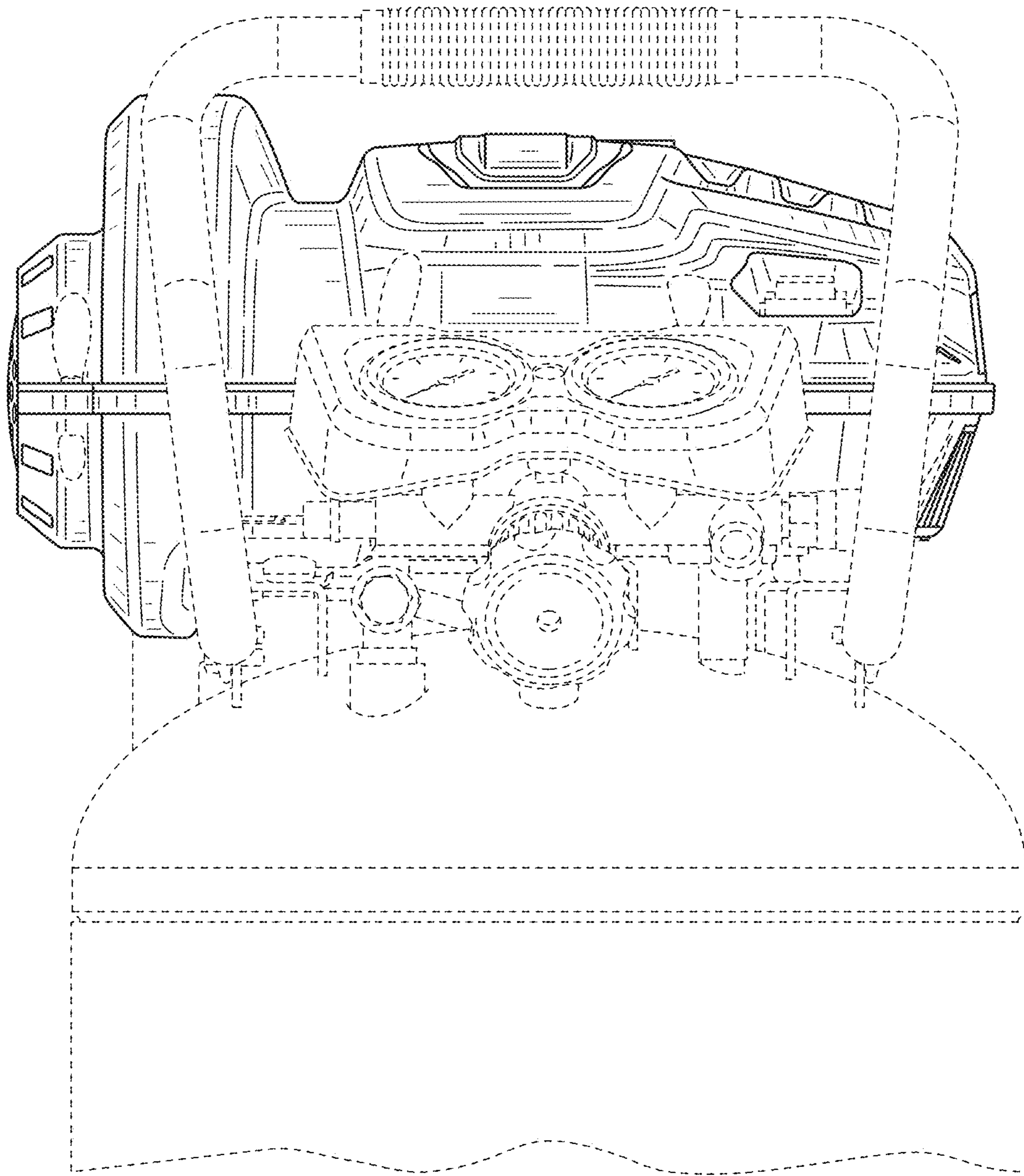


FIG. 10

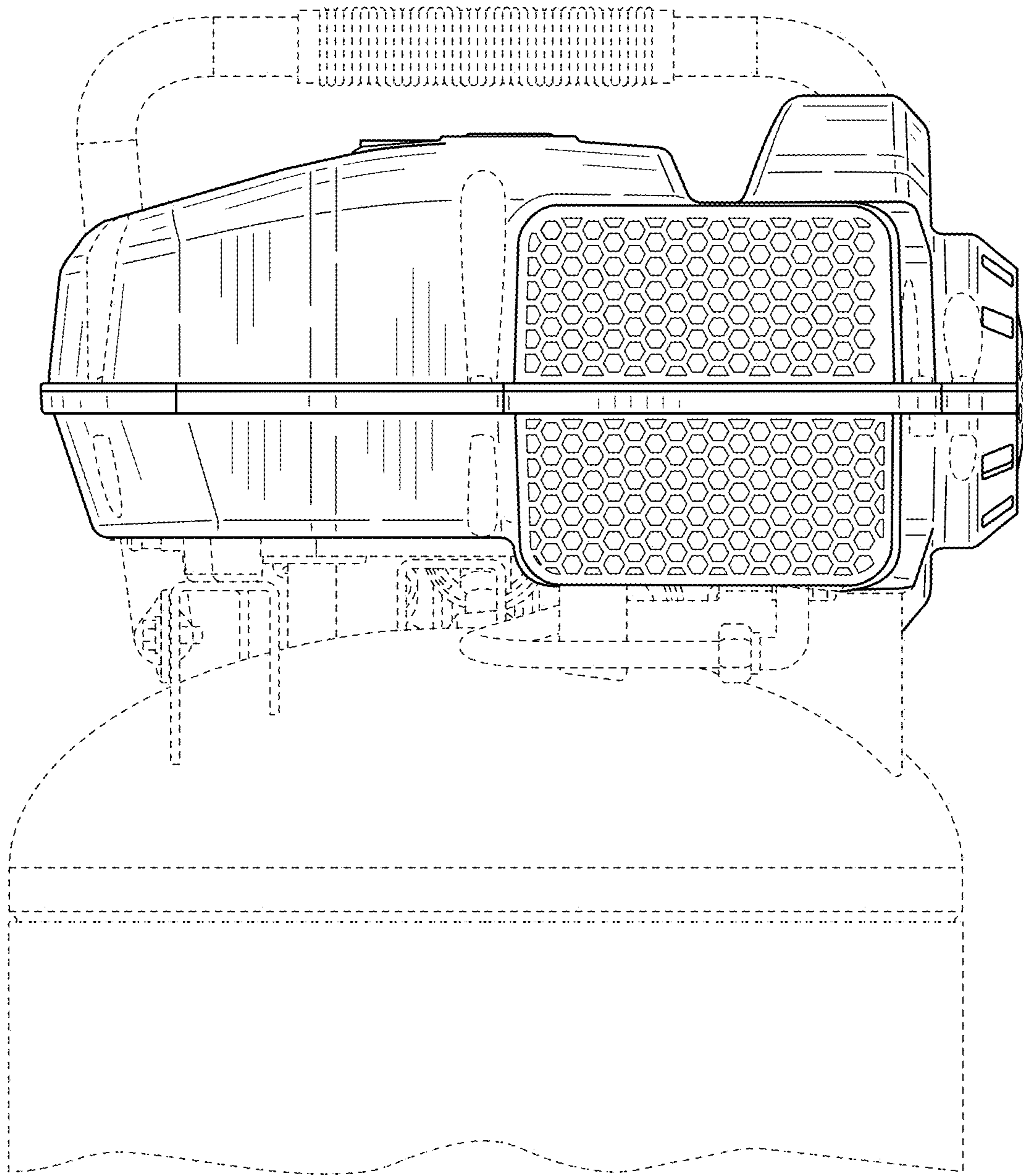


FIG. 11

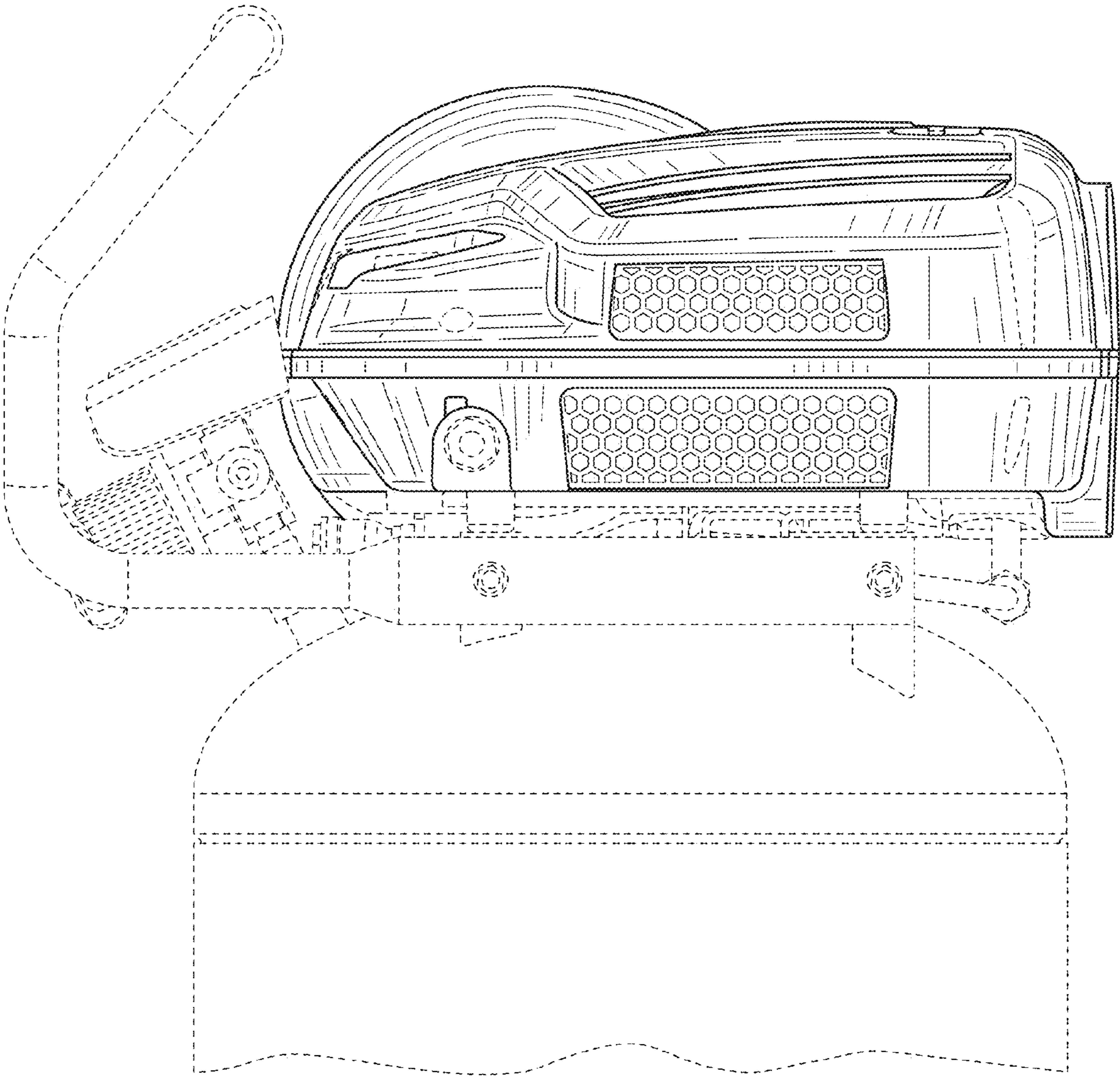


FIG. 12

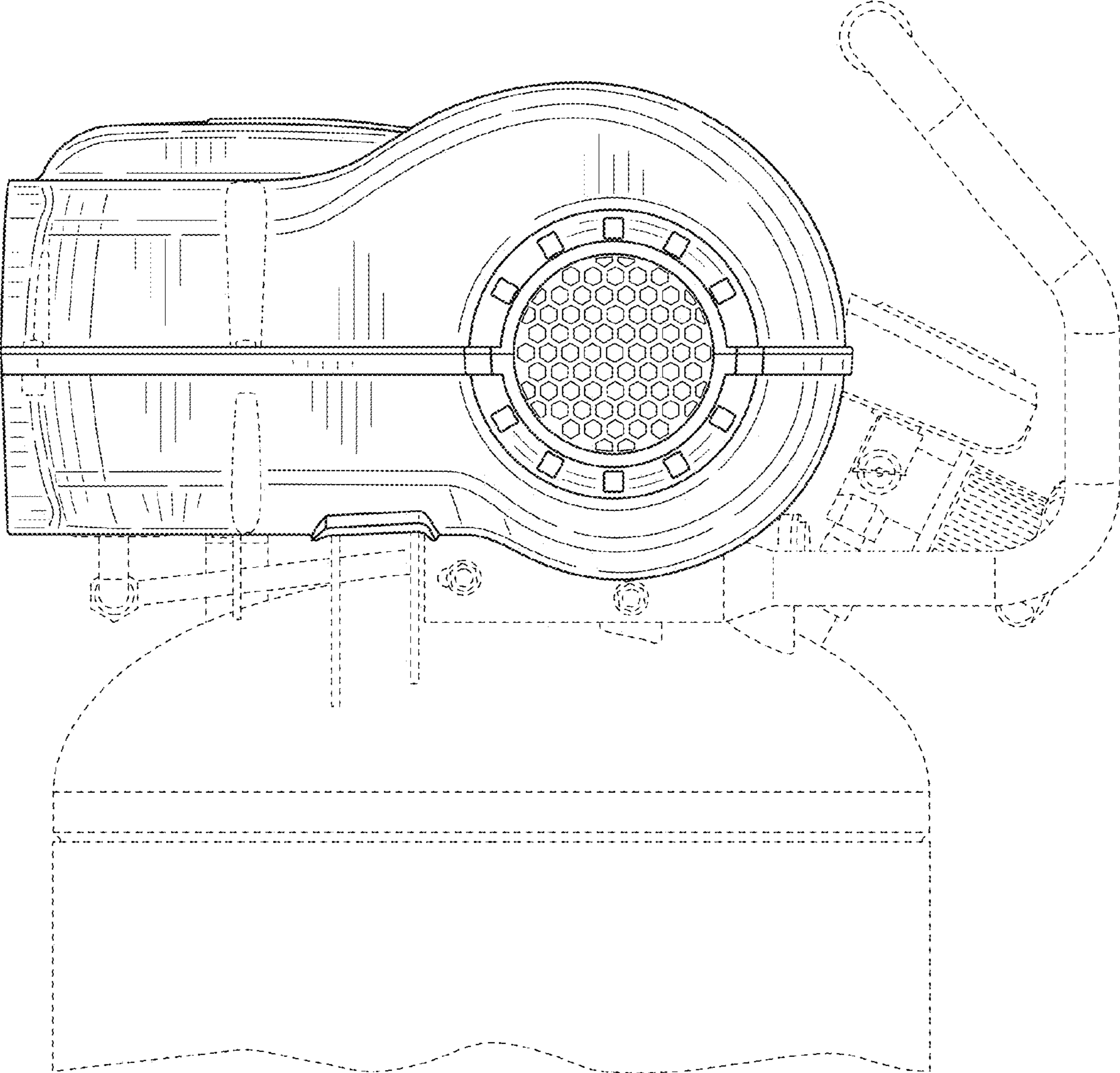


FIG. 13

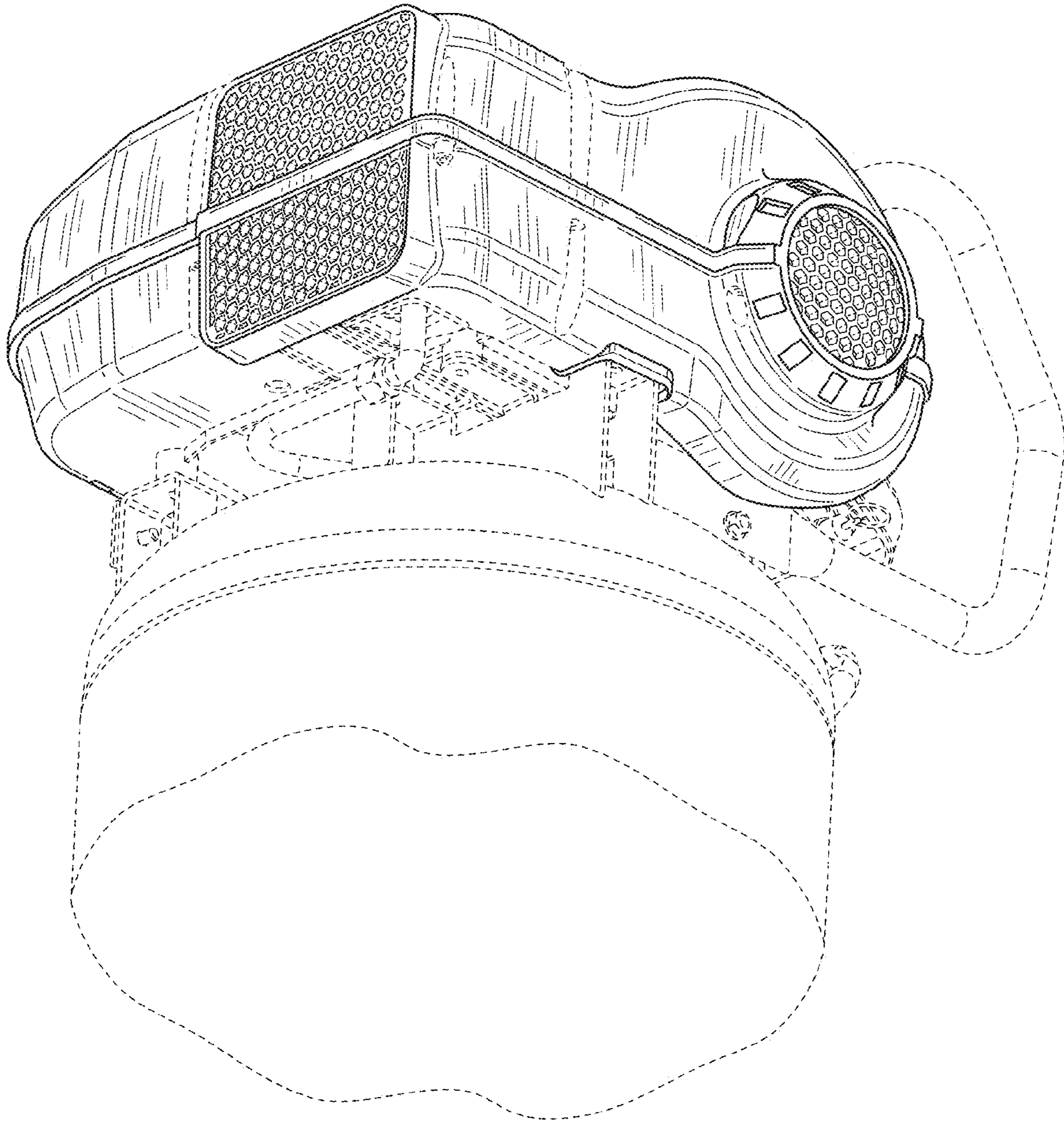


FIG. 14