



US00D916140S

(12) **United States Design Patent** (10) **Patent No.:** **US D916,140 S**
Vintzel (45) **Date of Patent:** **** Apr. 13, 2021**

(54) **AIR COMPRESSOR** 5,054,740 A 10/1991 Wheeler
D340,335 S * 10/1993 Kean D34/17
(71) Applicant: **Harbor Freight Tools USA, Inc.,** 5,290,051 A * 3/1994 Olson B62B 1/145
Calabasas, CA (US) 280/47.27
5,464,234 A * 11/1995 Ferguson B62B 5/02
(72) Inventor: **James Constantine Vintzel,** Jackson, 280/47.12
TN (US) D365,187 S * 12/1995 Tsai D34/24
(Continued)

(73) Assignee: **Harbor Freight Tools USA, INC.,**
Calabasas, CA (US)

(**) Term: **15 Years**

(21) Appl. No.: **29/743,382**

(22) Filed: **Jul. 21, 2020**

Related U.S. Application Data

(62) Division of application No. 29/703,026, filed on Aug. 23, 2019, now Pat. No. Des. 902,260.

(51) **LOC (13) Cl.** **15-02**

(52) **U.S. Cl.**
USPC **D15/7**

(58) **Field of Classification Search**
USPC D15/7-9, 33; D13/103, 107; D23/210,
D23/225, 231, 232; D34/12, 17, 18, 20,
D34/24, 26, 27; D8/303; D30/109
CPC F04B 41/00; F04B 41/02; F04B 41/04;
F04B 41/06; F04B 35/00; F04B 35/06;
F04B 35/002; F04B 35/86; F04B 31/00;
F04B 49/00; F04B 25/00; F04B 25/005;
F04B 25/02; F04B 25/04
See application file for complete search history.

(56) **References Cited**

U.S. PATENT DOCUMENTS

D191,440 S * 10/1961 Wienke D34/26
D200,401 S * 2/1965 Olson D34/18
D293,585 S 1/1988 Morgan
4,784,405 A * 11/1988 Stein B62B 1/12
280/47.29

OTHER PUBLICATIONS

McGraw, 20 Gallon 1.6 HP 135 PSI Oil Lube Vertical Air Compressor, (site visited Jul. 13, 2020), Harbor Freight website, URL: <<https://www.harborfreight.com/20-gallon-16-hp-135-psi-oil-lube-vertical-air-compressor-64857.html>> (Year: 2020).

(Continued)

Primary Examiner — Sheryl Lane

Assistant Examiner — Mark T. Philipps

(74) *Attorney, Agent, or Firm* — McAndrews Held & Malloy, Ltd.

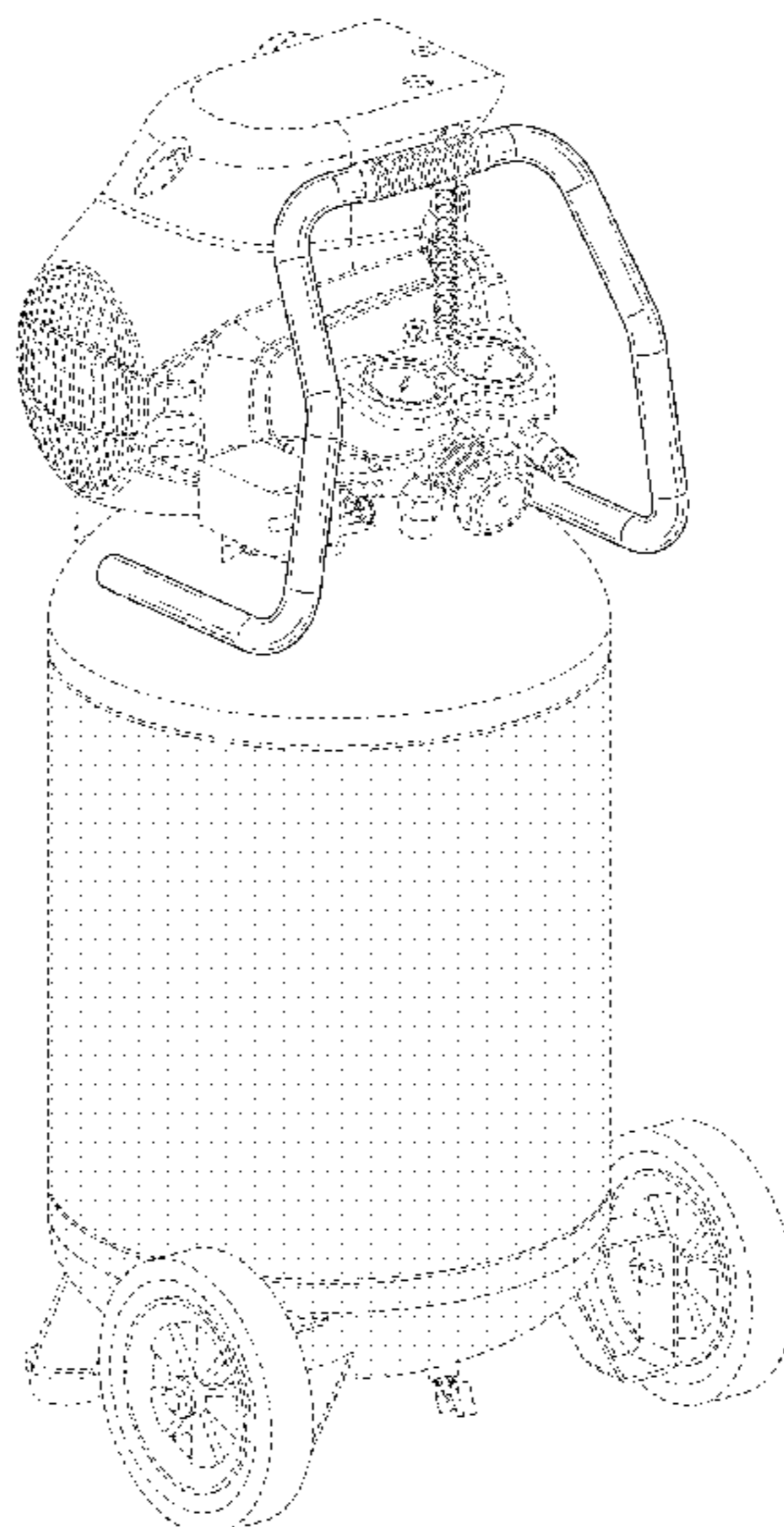
(57) **CLAIM**

The ornamental design for an air compressor, as shown and described.

DESCRIPTION

FIG. 1 is a top-front perspective view of an air compressor showing my new design;
FIG. 2 is a front elevation view thereof;
FIG. 3 is a rear elevation thereof;
FIG. 4 is a right side elevation view thereof;
FIG. 5 is a left side elevation view thereof;
FIG. 6 is a top plan view thereof;
FIG. 7 is a bottom plan view thereof; and,
FIG. 8 is a bottom-rear perspective view thereof.
The dashed broken lines in the figures illustrate portions of the air compressor that form no part of the claimed design.

1 Claim, 8 Drawing Sheets



(56)

References Cited

U.S. PATENT DOCUMENTS

5,553,877 A * 9/1996 Huang A63H 33/30
280/33.993
5,558,359 A * 9/1996 Phears B62B 3/12
280/47.371
D409,346 S * 5/1999 Hurt D34/21
D444,796 S 7/2001 Morgan
D456,582 S * 4/2002 Riach D34/24
6,375,437 B1 4/2002 Nolan
D459,851 S * 7/2002 Rehkugler D34/24
D481,512 S * 10/2003 Lee B62B 1/12
D34/24
D491,628 S 6/2004 Hsiao
D499,432 S 12/2004 Chen
6,848,695 B2 * 2/2005 Panasewicz B62B 1/006
206/499
D512,479 S 12/2005 Hsiao
D523,201 S * 6/2006 Widmer D34/12
D534,287 S 12/2006 Krieger
D535,309 S 1/2007 Breecham
D553,158 S 10/2007 Caito
D557,710 S 12/2007 Sharp
D562,851 S 2/2008 Leasure
D570,068 S * 5/2008 Dukes D34/17
D574,859 S 8/2008 Hernandez
D576,512 S 9/2008 Leasure
D579,462 S 10/2008 Leasure
D589,065 S 3/2009 Leasure
D589,535 S 3/2009 Leasure
D589,852 S * 4/2009 Giampavolo D12/133
D604,746 S 11/2009 Nishido
D636,409 S 4/2011 Wilmes
D637,211 S 5/2011 Parks
D657,393 S 4/2012 Pauwels
D661,859 S * 6/2012 Blakeman D34/26
D662,517 S 6/2012 Hawkins
D664,996 S 8/2012 Hsiao

D666,224 S 8/2012 Pruszynski
D668,267 S 10/2012 Hawkins
D680,555 S * 4/2013 Craig D15/7
D680,556 S 4/2013 Craig
D710,902 S * 8/2014 Vintzel D15/9
D710,903 S 8/2014 Vintzel
9,291,363 B1 3/2016 Cassell
D806,135 S 12/2017 Wood
D806,753 S 1/2018 Wood
D806,755 S 1/2018 Wood
D806,757 S 1/2018 Wood
D809,237 S * 1/2018 Clement D34/18
D827,970 S * 9/2018 Khubani D34/20
D838,751 S 1/2019 Wood
D854,585 S 7/2019 Bindhammer
D876,485 S 2/2020 Pauly
D879,593 S * 3/2020 Boies D8/359
D891,480 S * 7/2020 Vintzel D15/9
D893,553 S * 8/2020 Vintzel D15/9
D900,882 S * 11/2020 Vintzel D15/9
D902,260 S * 11/2020 Vintzel D15/9
D904,714 S * 12/2020 Franks D34/12
2005/0196290 A1 9/2005 Hu
2006/0104836 A1 5/2006 Phillips
2006/0104837 A1 5/2006 Lee
2007/0122292 A1 5/2007 Etter
2009/0226333 A1 9/2009 Hsiao
2010/0290929 A1 11/2010 Ohi
2016/0298618 A1 10/2016 Wood
2018/0320677 A1 11/2018 Thackery

OTHER PUBLICATIONS

DeWalt, DEWALT 15-Gallon Single Stage Portable Electric Vertical Air Compressor, (site visited Jul. 13, 2020), Lowes Website, URL: <<https://www.lowes.ca/product/air-compressors/dewalt-15-gallon-single-stage-portable-electric-vertical-air-compressor-203680>> (Year: 2020).

* cited by examiner

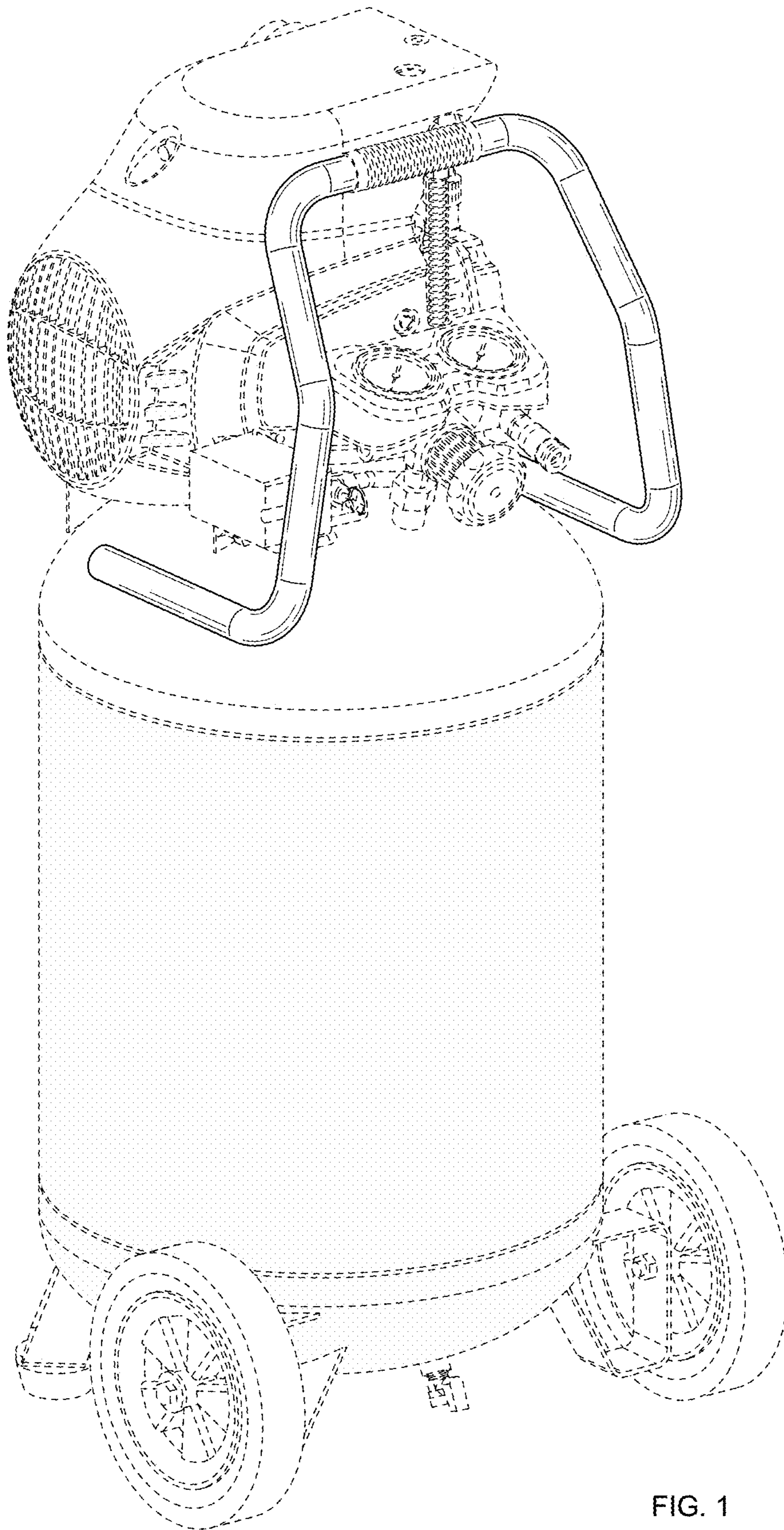


FIG. 1

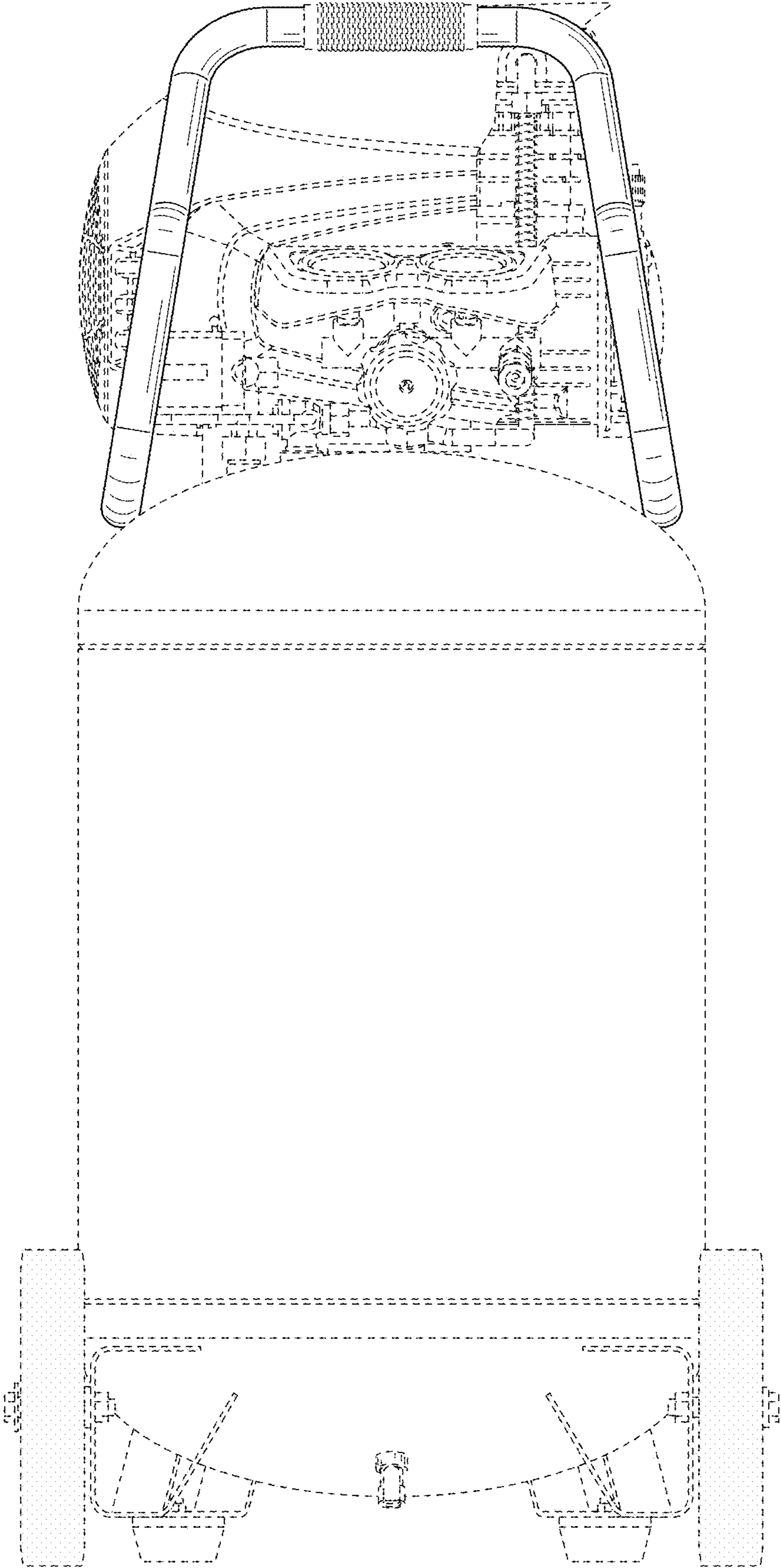


FIG. 2

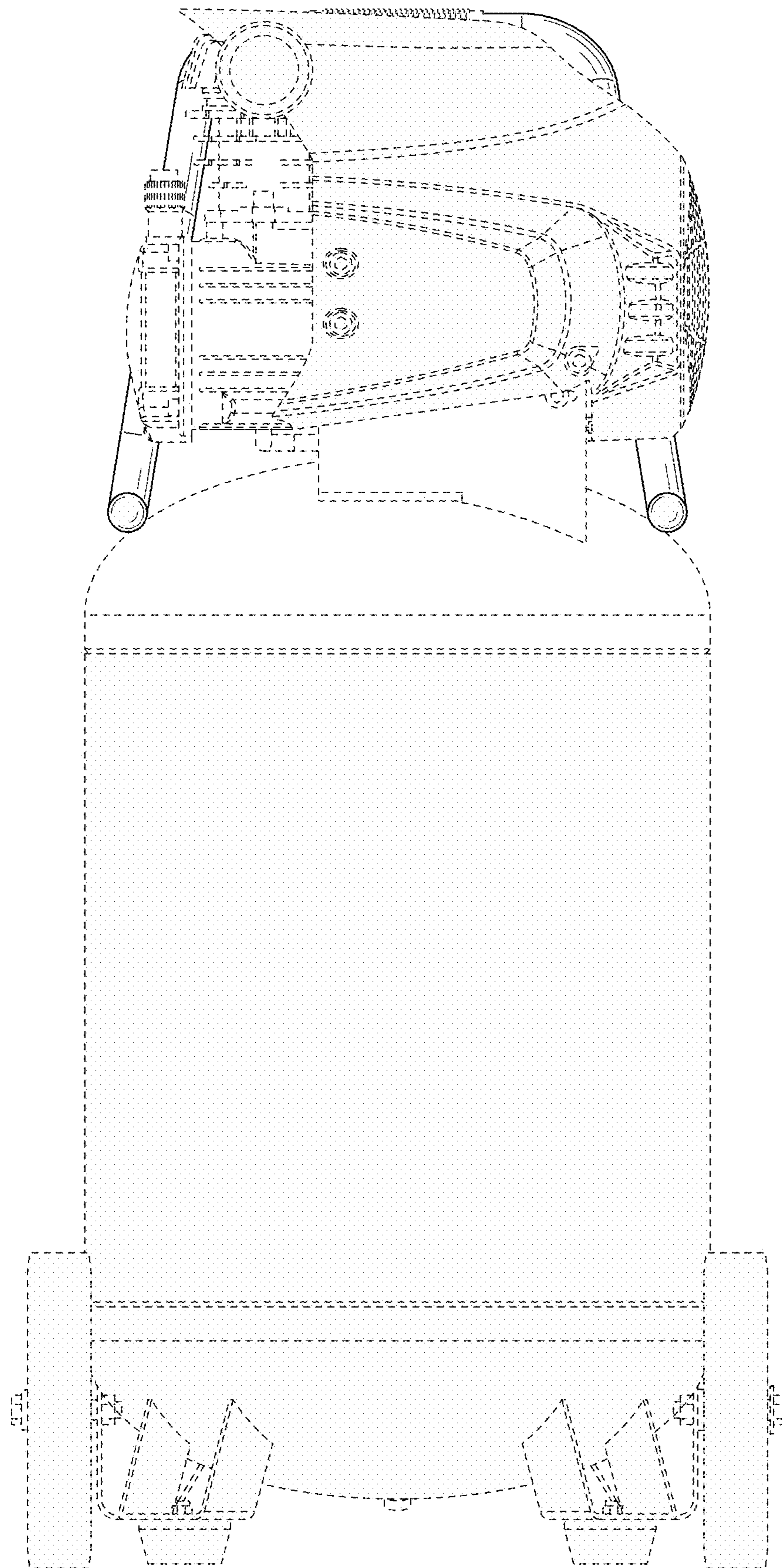


FIG. 3

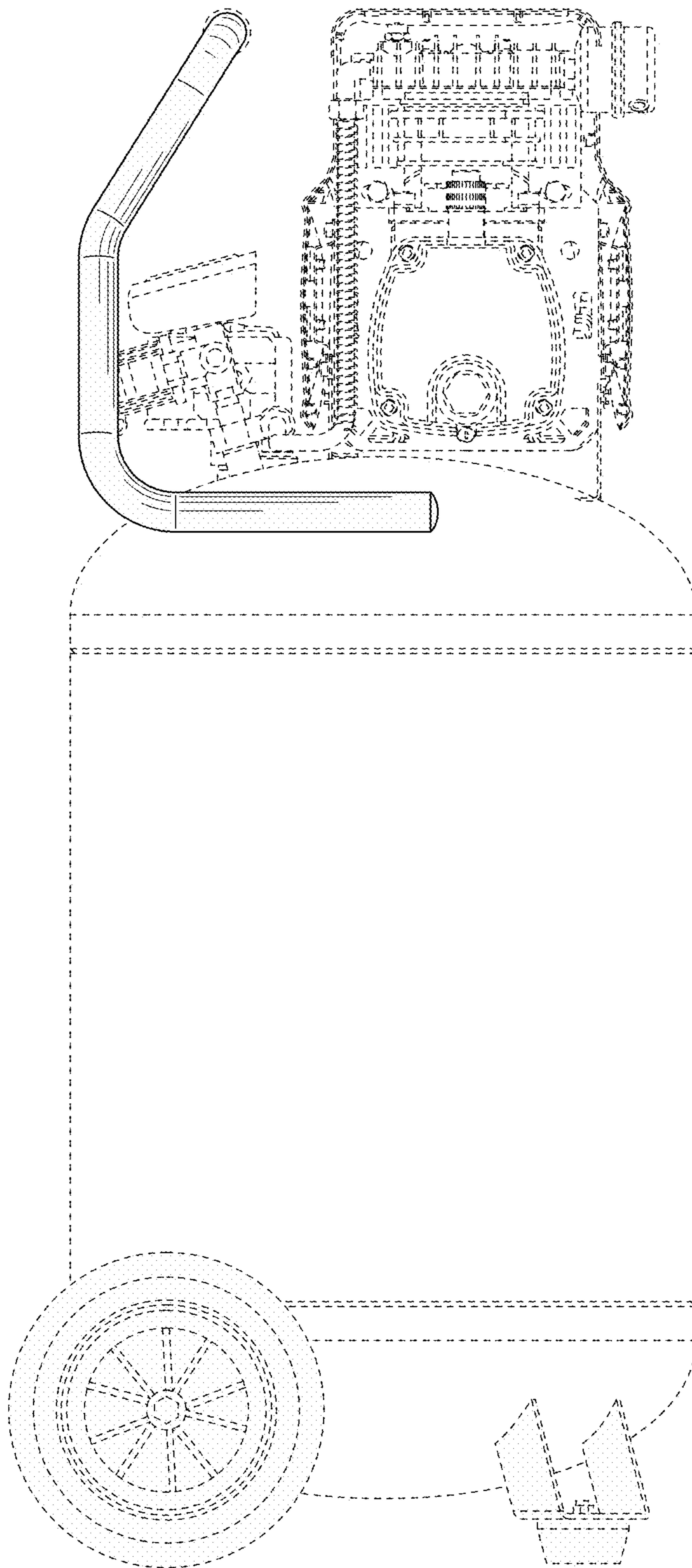


FIG. 4

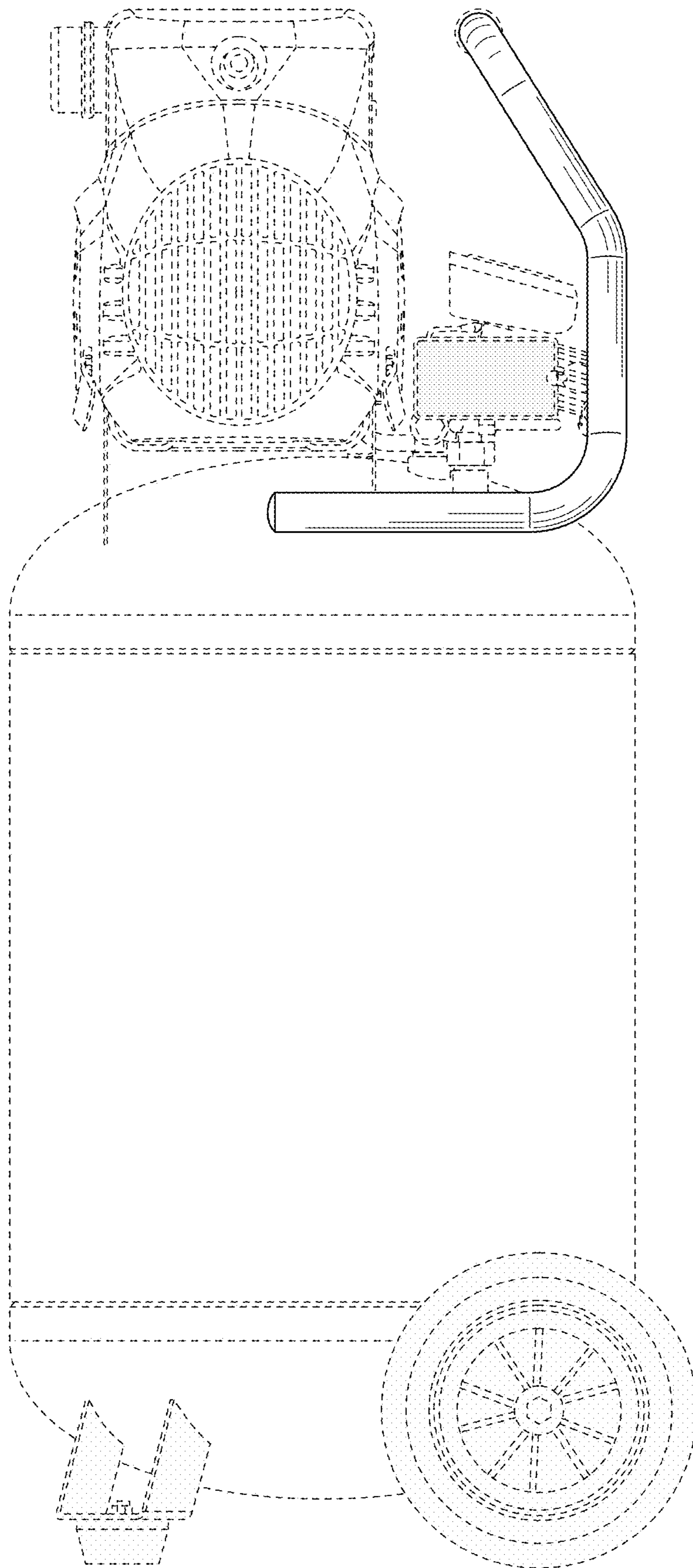


FIG. 5

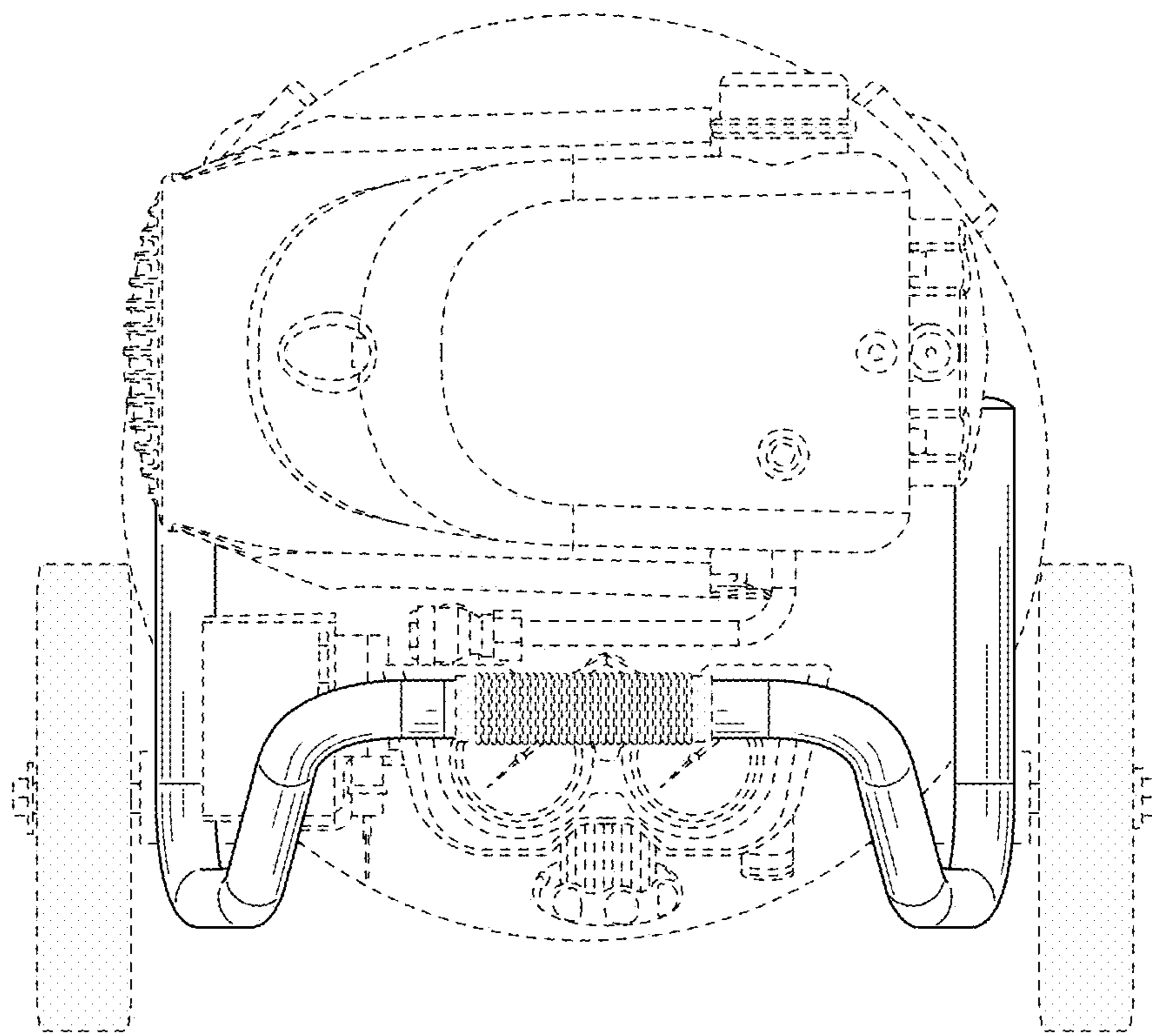


FIG. 6

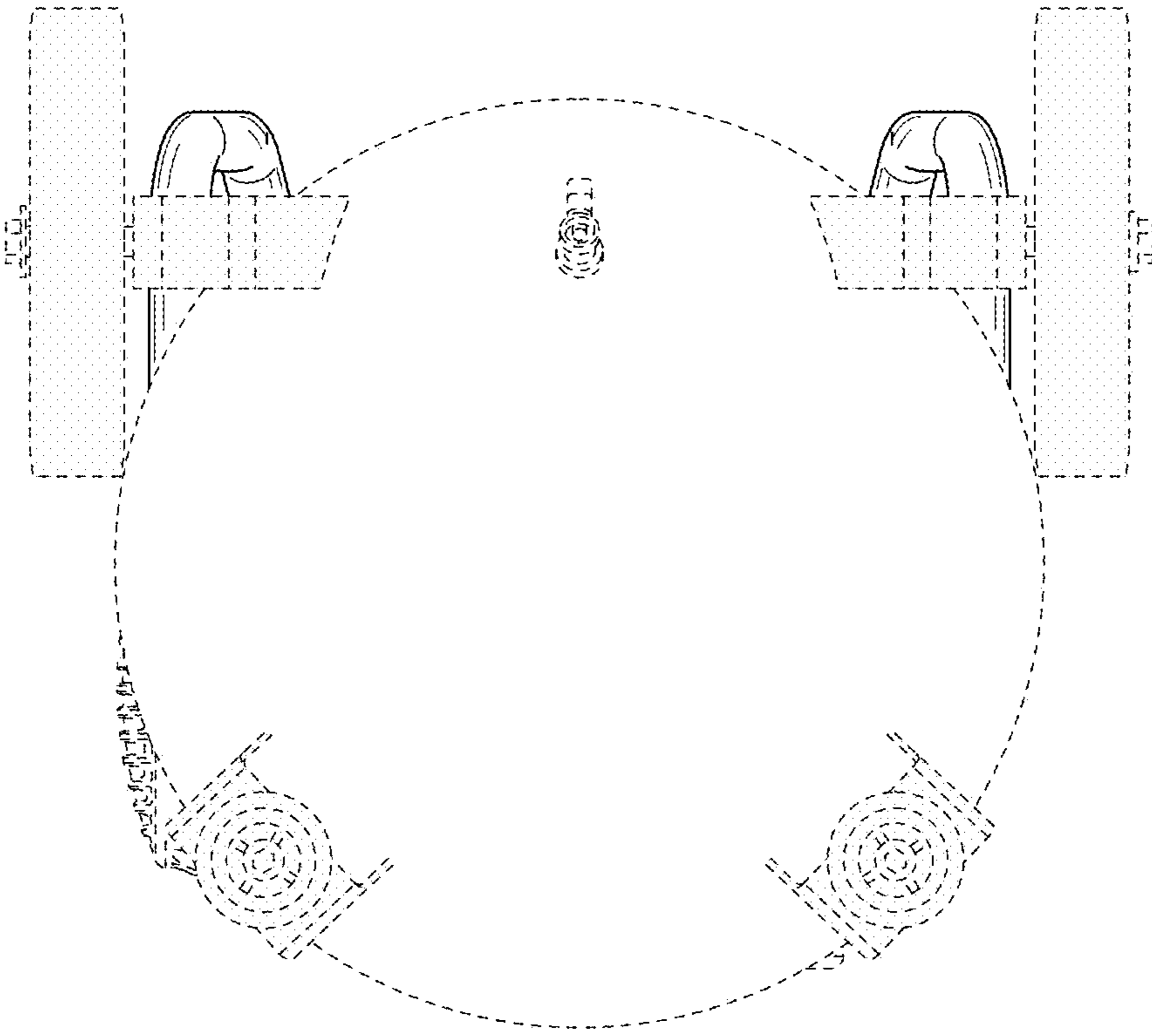


FIG. 7

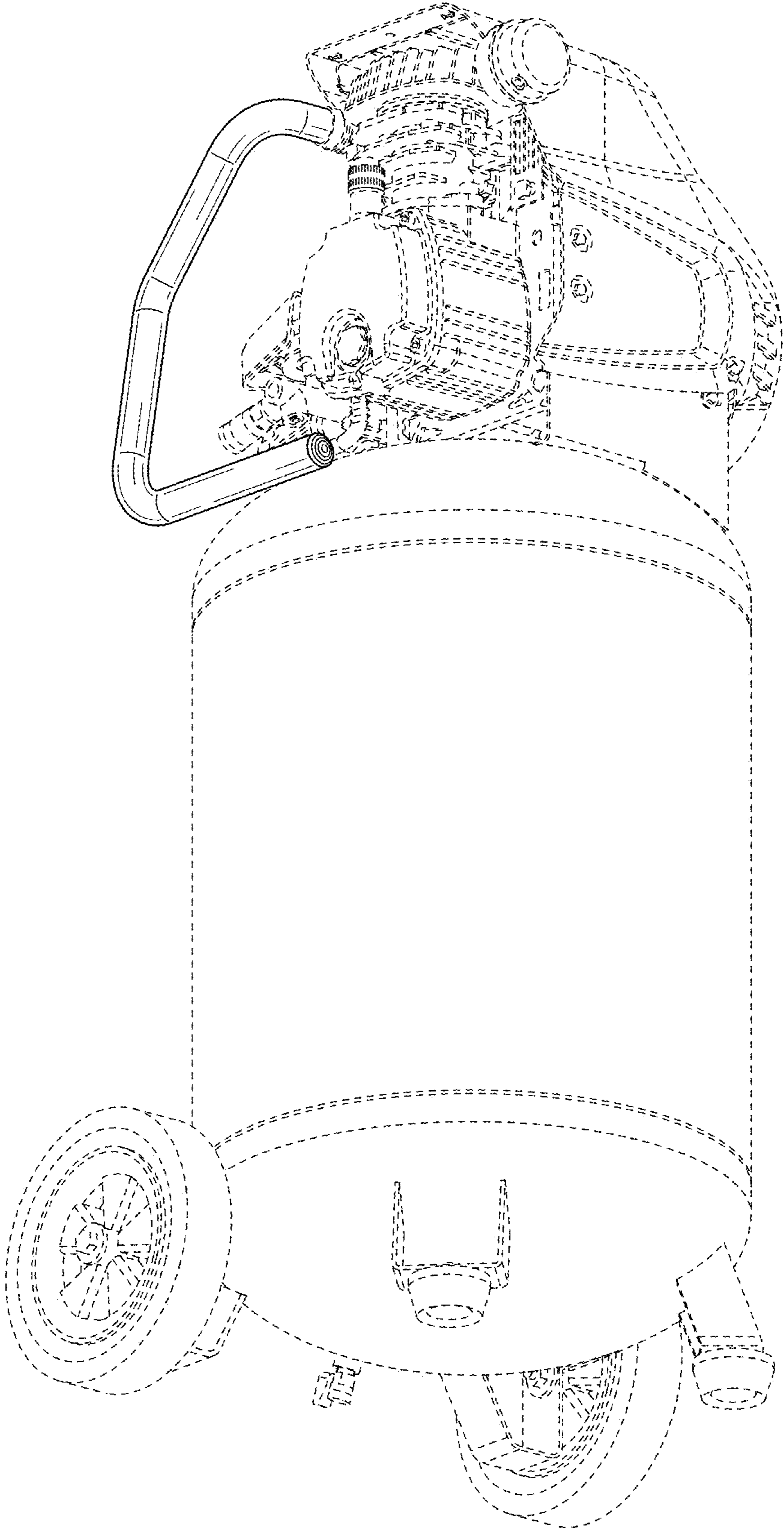


FIG. 8