



US00D916136S

(12) **United States Design Patent** (10) **Patent No.:** **US D916,136 S**
Hudnall et al. (45) **Date of Patent:** **** Apr. 13, 2021**

(54) **COOLING MANIFOLD**

FOREIGN PATENT DOCUMENTS

(71) Applicant: **Holley Performance Products, Inc.**,
Bowling Green, KY (US)

AU 201811295 5/2018
AU 201812792 6/2018

(Continued)

(72) Inventors: **Coy Hudnall**, Bowling Green, KY
(US); **Kevin Tracy**, Port Charlotte, FL
(US)

OTHER PUBLICATIONS

IP Australia; Formalities notice No. 1 for Application No. 201910224
dated Feb. 25, 2019, 3 pages.

(Continued)

(73) Assignee: **Holley Performance Products, Inc.**,
Bowling Green, KY (US)

Primary Examiner — Ania Aman

(**) Term: **15 Years**

(74) *Attorney, Agent, or Firm* — Middleton Reutlinger

(21) Appl. No.: **29/658,718**

(57)

CLAIM

The ornamental design for a cooling manifold, as shown and
described.

(22) Filed: **Aug. 2, 2018**

DESCRIPTION

(51) **LOC (13) Cl.** **15-01**

(52) **U.S. Cl.**
USPC **D15/5**

(58) **Field of Classification Search**
USPC D15/1-9; D23/231, 232, 225; D12/160,
D12/159
CPC F04D 29/426; F04D 29/126; F04D 29/445;
F04D 29/086; F04D 29/167; F04D 29/44;
F04D 29/58; F04D 29/60; F04D 29/601;
F04D 29/602

See application file for complete search history.

FIG. 1 is a first perspective view of a first design of a cooling manifold;
FIG. 2 is a second perspective of the design of FIG. 1;
FIG. 3 is a top view of the design of FIG. 1;
FIG. 4 is a bottom view of the design of FIG. 1;
FIG. 5 is a left side view of the design of FIG. 1;
FIG. 6 is a right side of the design of FIG. 1;
FIG. 7 is a front view of the design of FIG. 1;
FIG. 8 is a rear view of the design of FIG. 1;
FIG. 9 is a first perspective view of a second design of a cooling manifold;
FIG. 10 is a second perspective of the design of FIG. 9;
FIG. 11 is a top view of the design of FIG. 9;
FIG. 12 is a bottom view of the design of FIG. 9;
FIG. 13 is a left side view of the design of FIG. 9;
FIG. 14 is a right side of the design of FIG. 9;
FIG. 15 is a front view of the design of FIG. 9; and,
FIG. 16 is a rear view of the design of FIG. 9.

The broken lines shown in the drawings are for the purpose
of illustrating portions of the cooling manifold and form no
part of the claimed design.

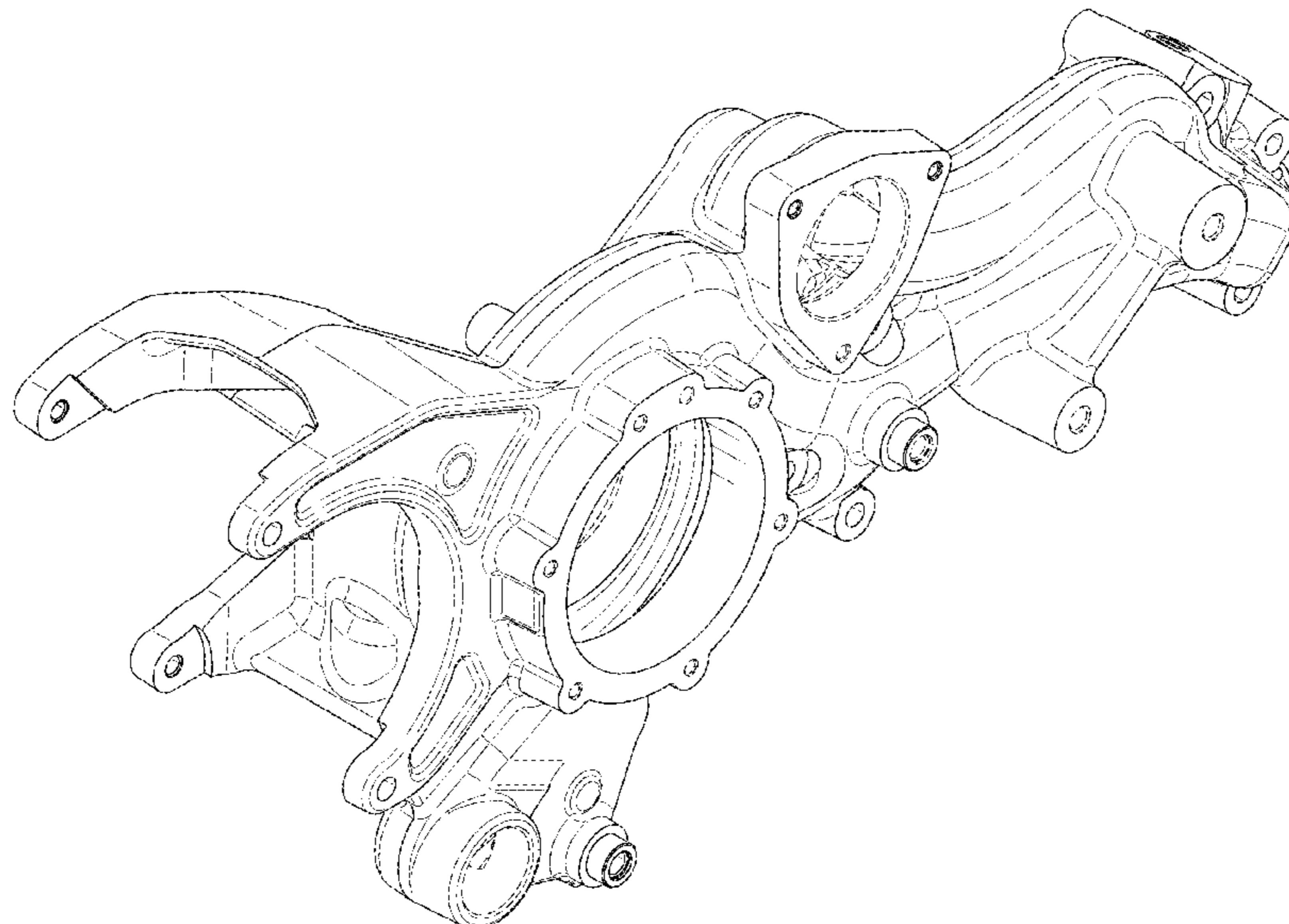
(56) **References Cited**

U.S. PATENT DOCUMENTS

D268,585 S * 4/1983 Drakulic D15/5
5,148,863 A 9/1992 Fouts et al.
5,325,915 A 7/1994 Fouts et al.
6,244,239 B1 * 6/2001 Sisco F02B 67/06
123/192.1
6,270,314 B1 * 8/2001 Nomoto F04D 29/086
415/172.1

(Continued)

1 Claim, 16 Drawing Sheets



(56)

References Cited

U.S. PATENT DOCUMENTS

6,446,699	B1 *	9/2002	Schober	F04D 29/426 164/113
7,578,277	B2 *	8/2009	Inui	F01M 1/02 123/192.2
D779,560	S *	2/2017	Fox	D15/5
D779,561	S *	2/2017	Fox	D15/5
D808,439	S	1/2018	Hudnall et al.	
D819,083	S *	5/2018	Fisher	D15/5
2008/0173274	A1 *	7/2008	Inui	F01M 1/02 123/196 R
2015/0345366	A1 *	12/2015	Gacka	F01P 5/12 123/41.47
2017/0082011	A1 *	3/2017	Huckey	F01P 5/12

FOREIGN PATENT DOCUMENTS

AU	201910218	3/2019
AU	201910224	3/2019
AU	201910225	3/2019

AU	201911575	4/2019
AU	201911576	4/2019
AU	201911578	4/2019

OTHER PUBLICATIONS

Design U.S. Appl. No. 29/616,435 entitled "Cooling Manifold" filed Sep. 6, 2017.

Design U.S. Appl. No. 29/658,716 entitled "Cooling Manifold" filed Aug. 2, 2018.

Design U.S. Appl. No. 29/658,719 entitled "Cooling Manifold" filed Aug. 2, 2018.

Design U.S. Appl. No. 29/707,393 entitled "Cooling Manifold" filed Sep. 27, 2019.

Design U.S. Appl. No. 29/707,394 entitled "Cooling Manifold" filed Sep. 27, 2019.

Holley Performance Products, Inc., 2017 New & Hot Products, Catalogue, 3 pages, Nov. 1, 2016. [the instant application is a design that attaches to the water pump shown].

* cited by examiner

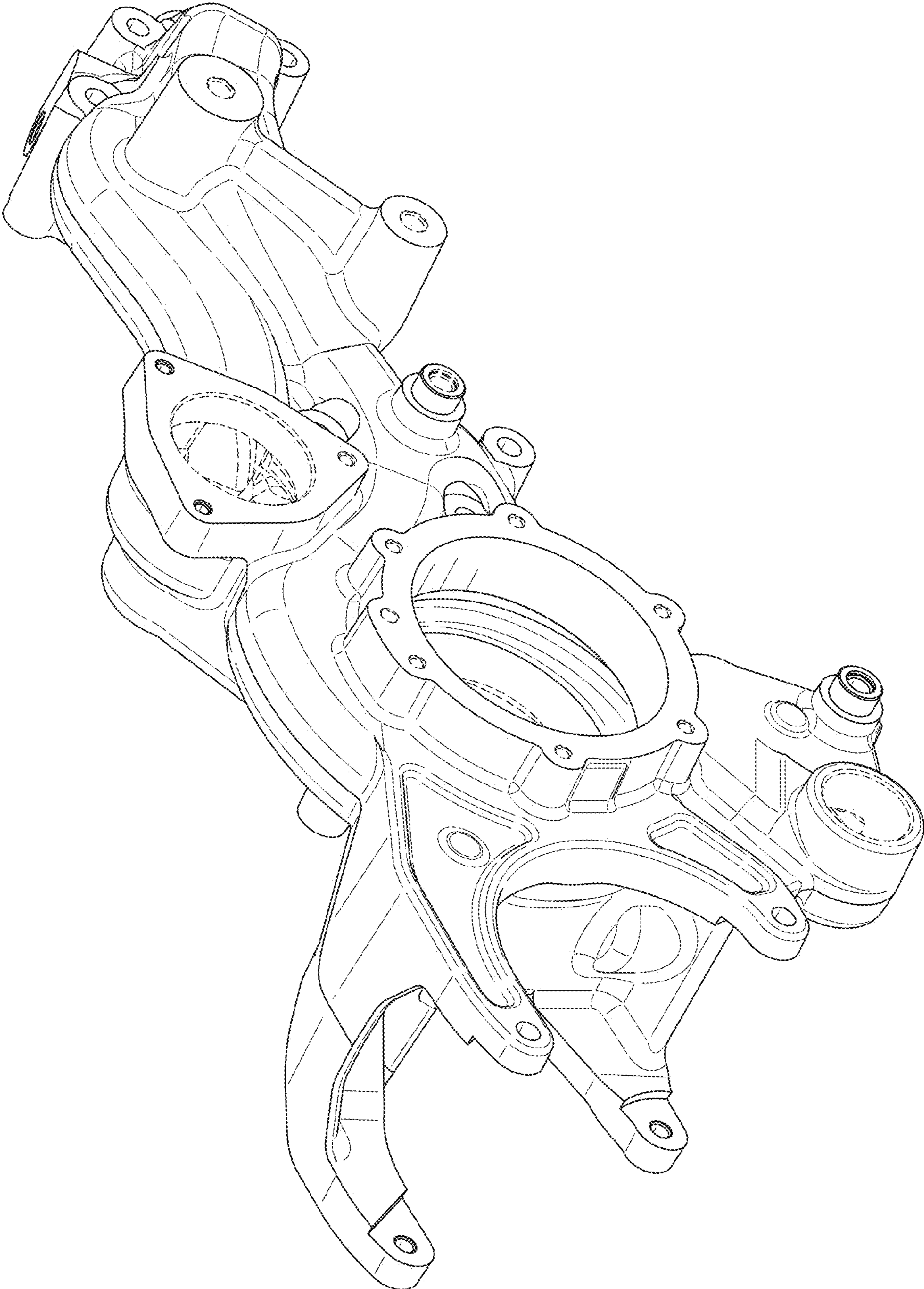


FIG. 1

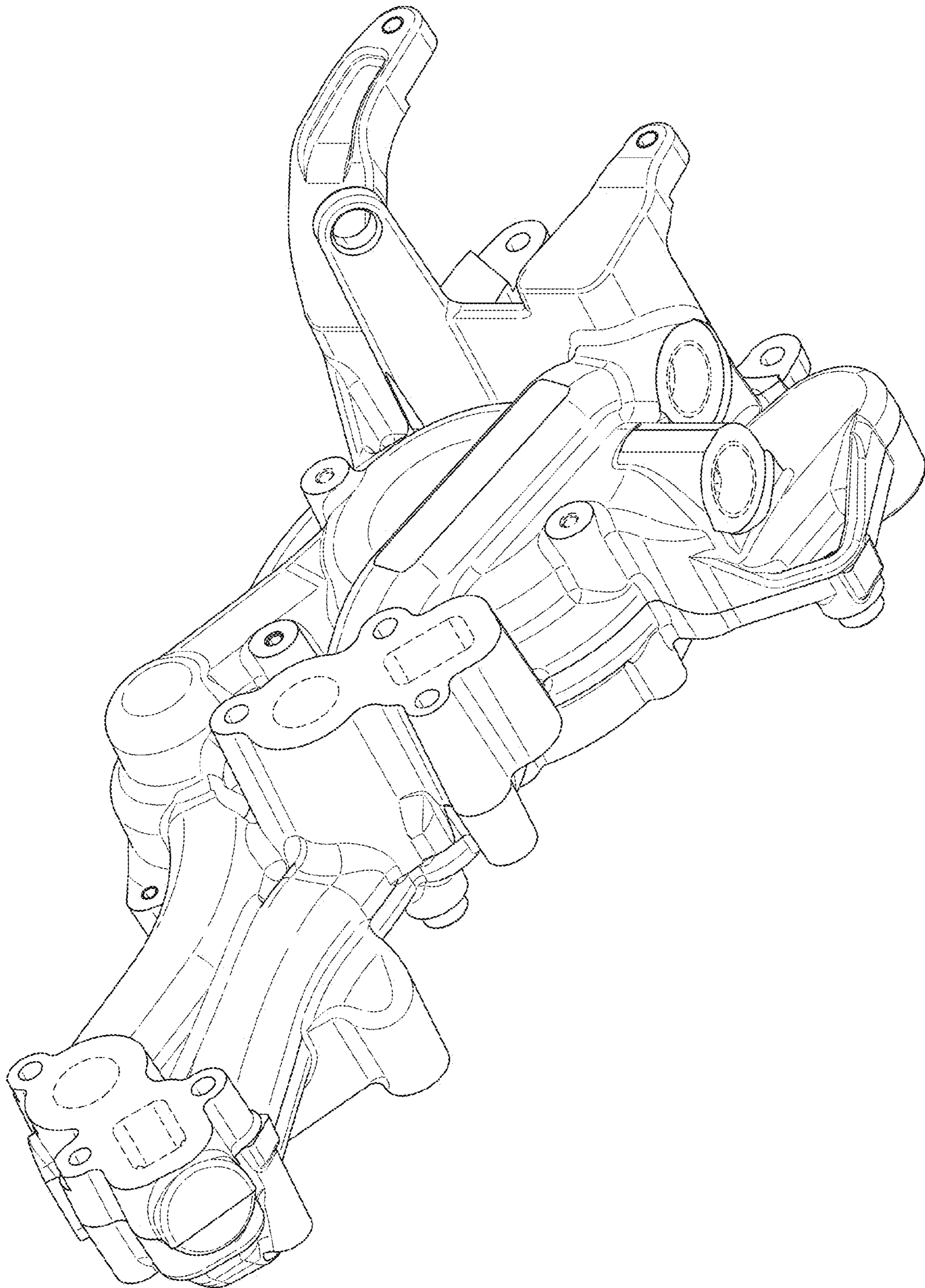


FIG. 2

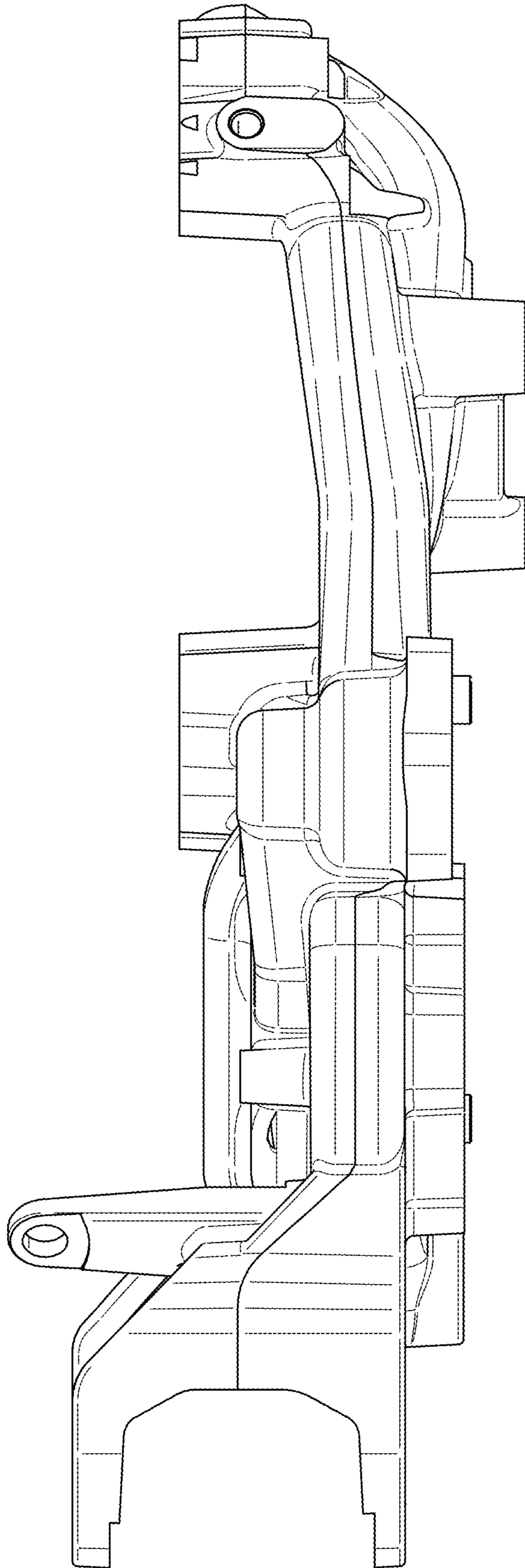


FIG. 3

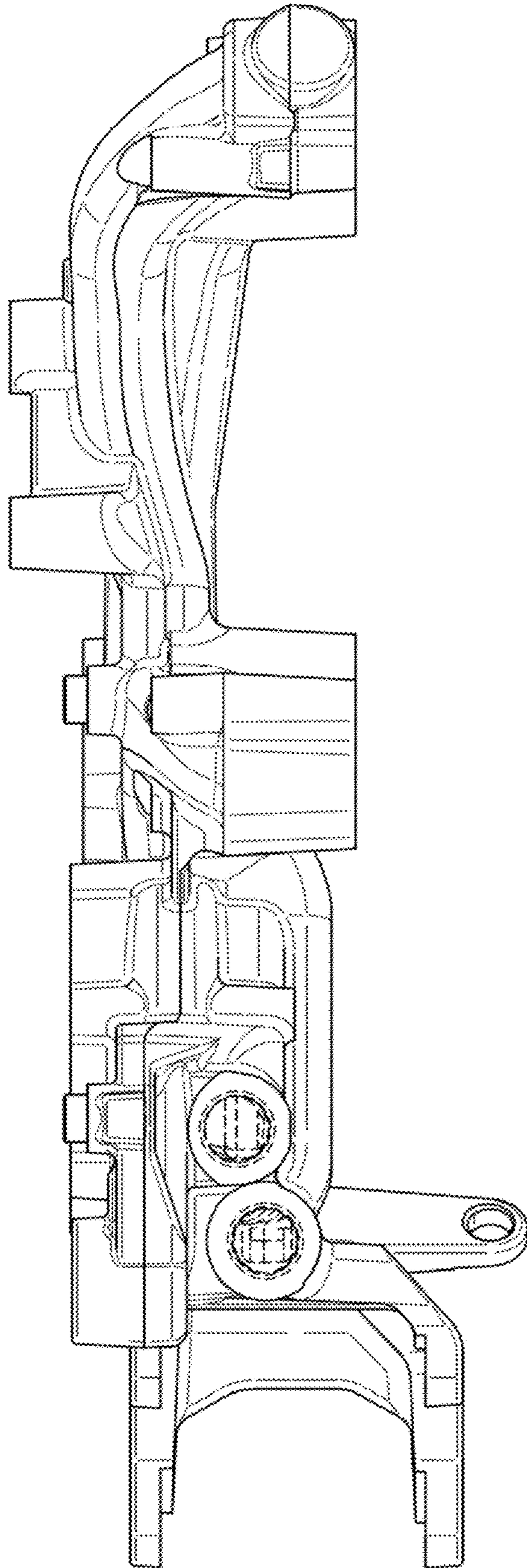


FIG. 4

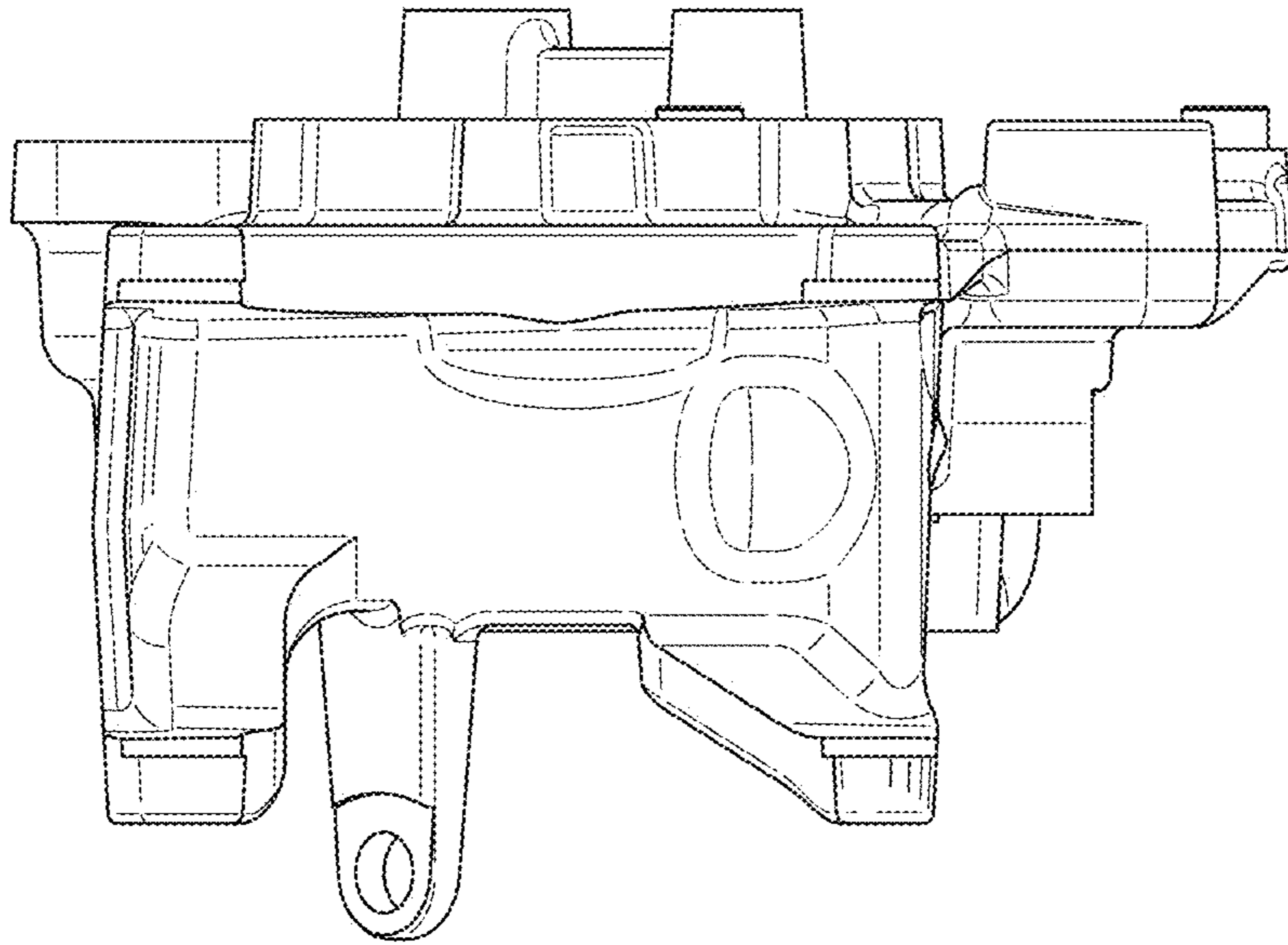


FIG. 5

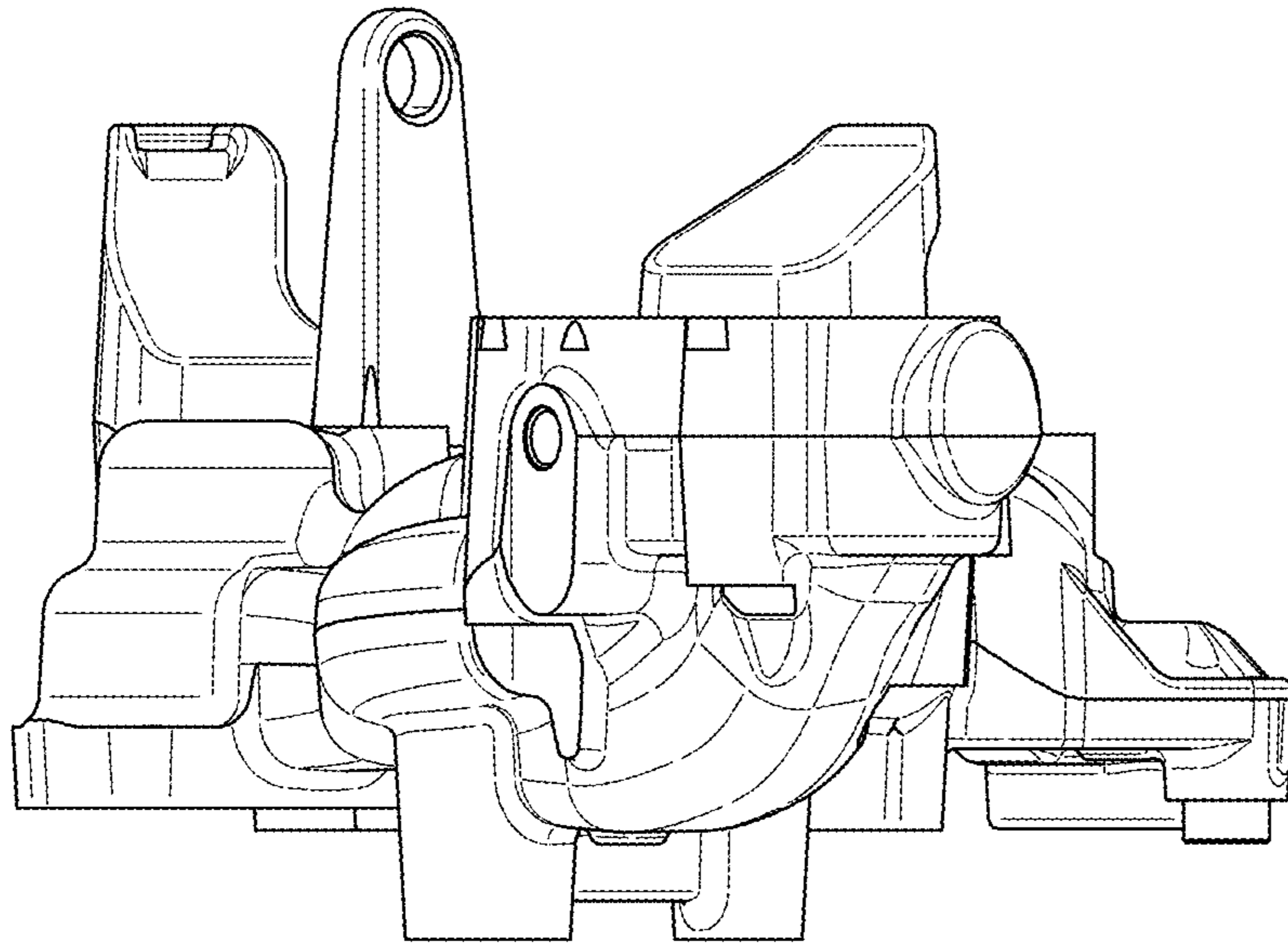


FIG. 6

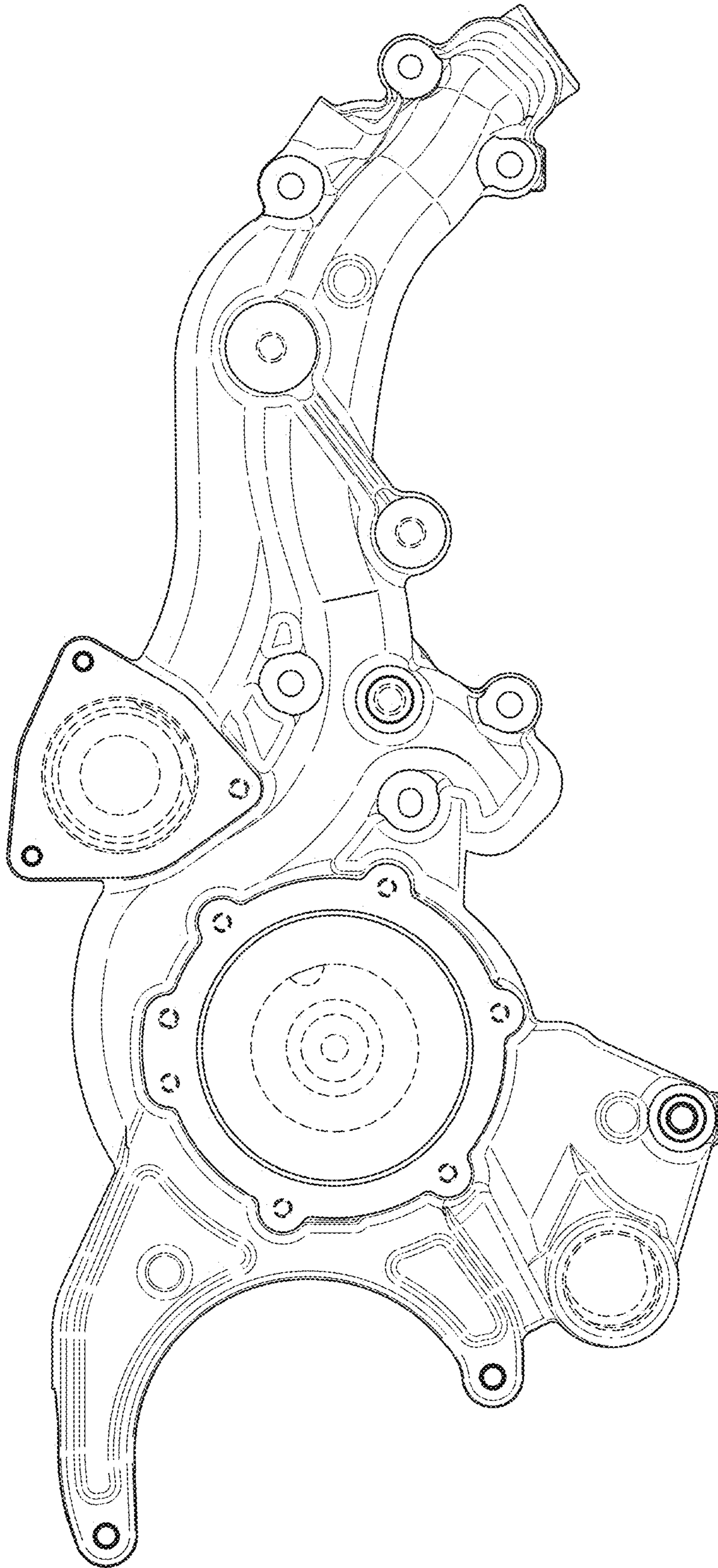


FIG. 7

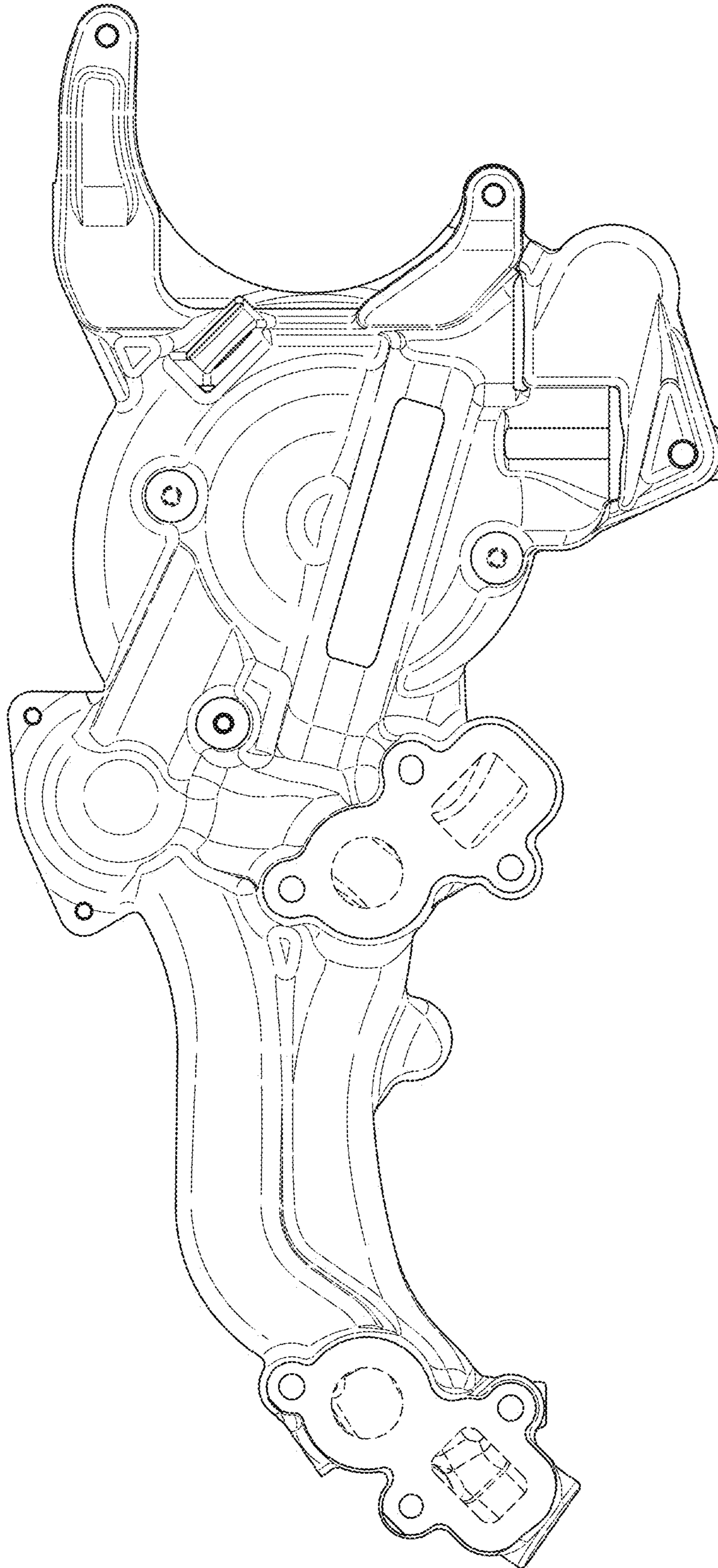


FIG. 8

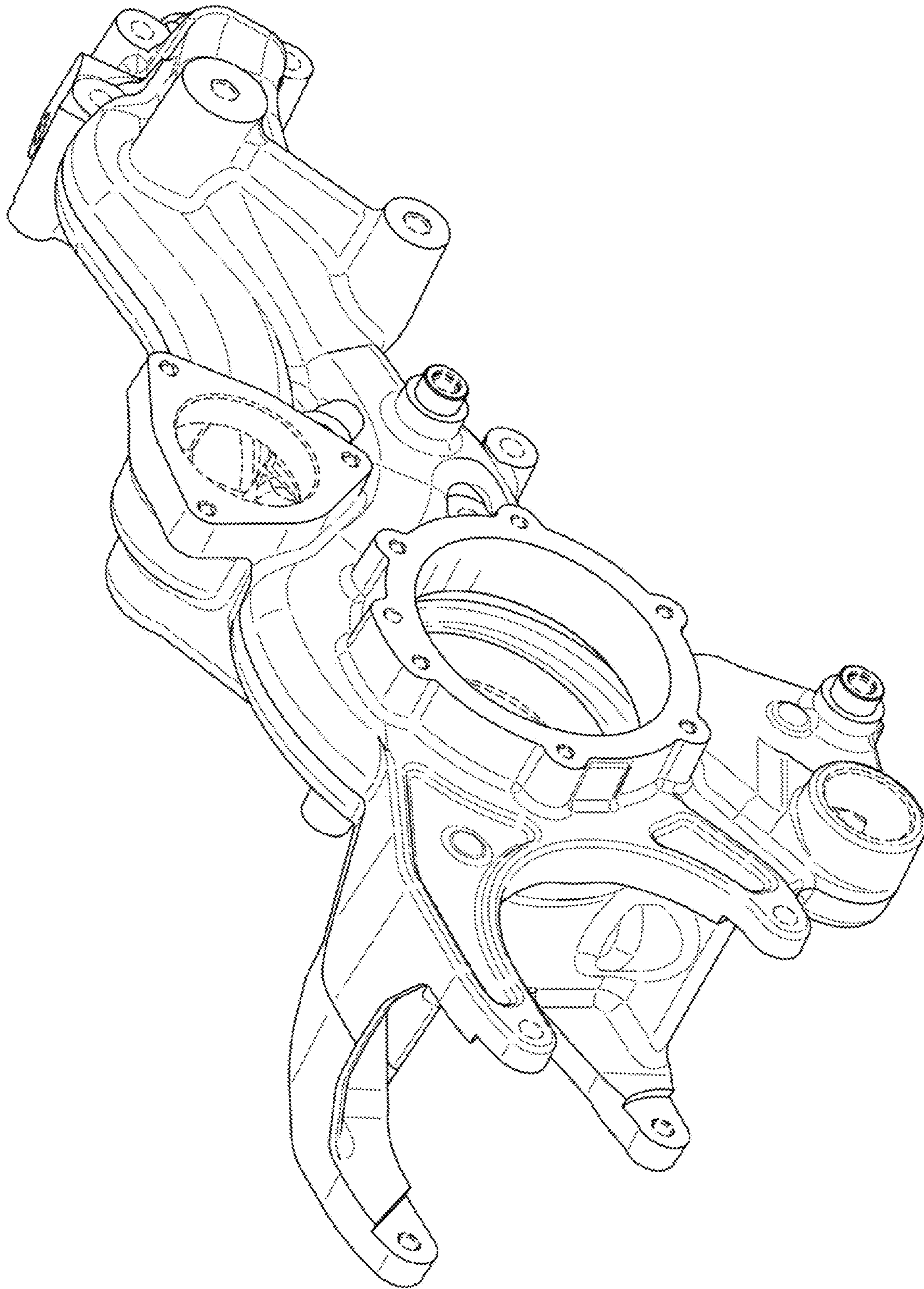


FIG. 9

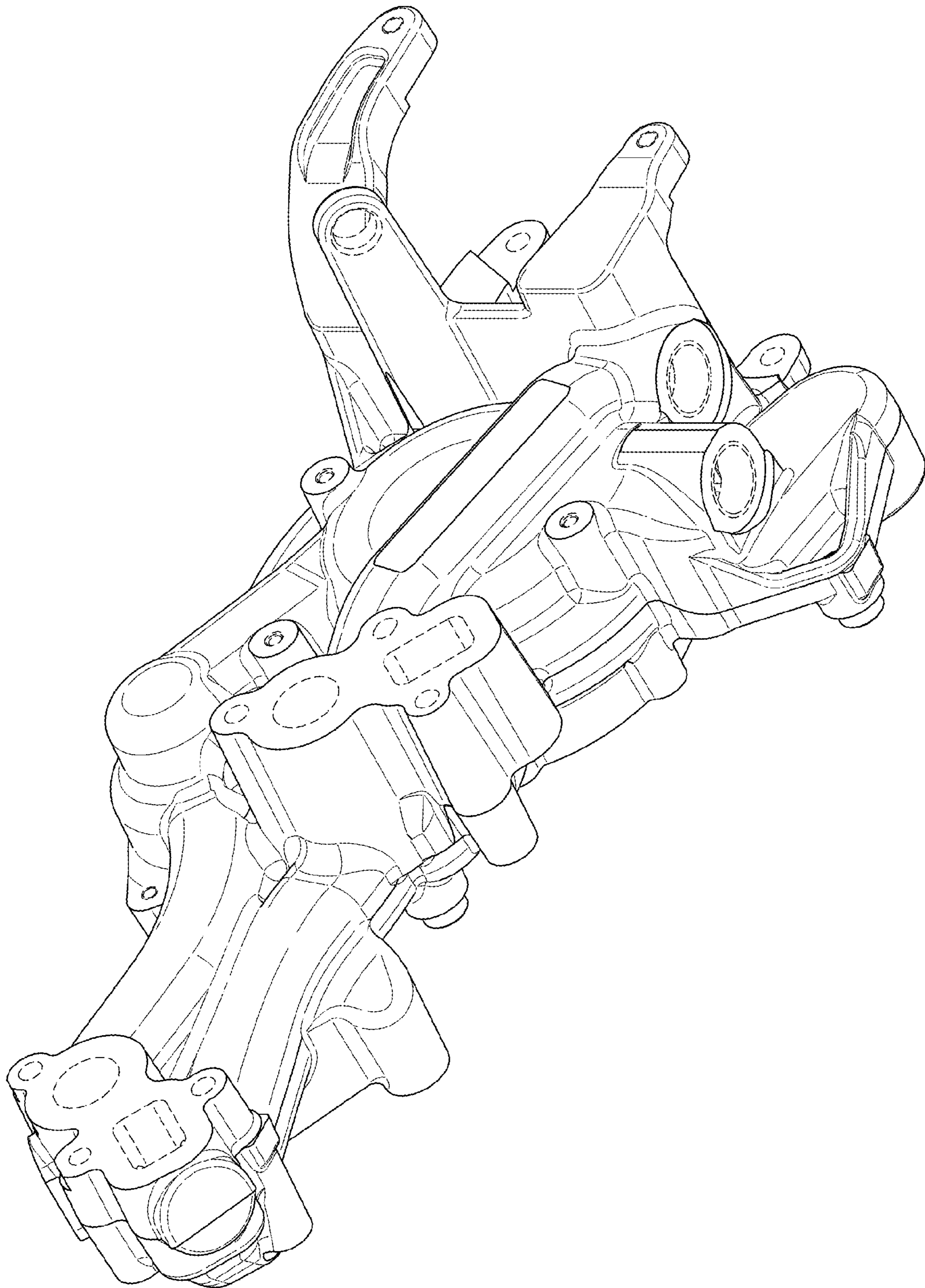


FIG. 10

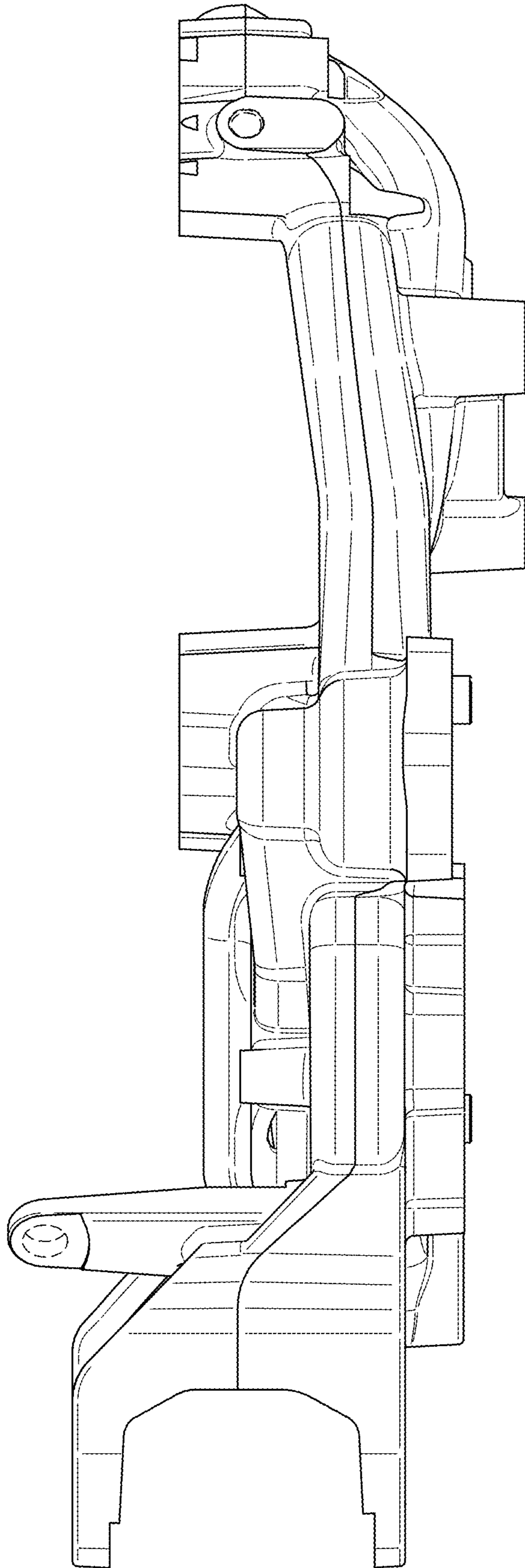


FIG. 11

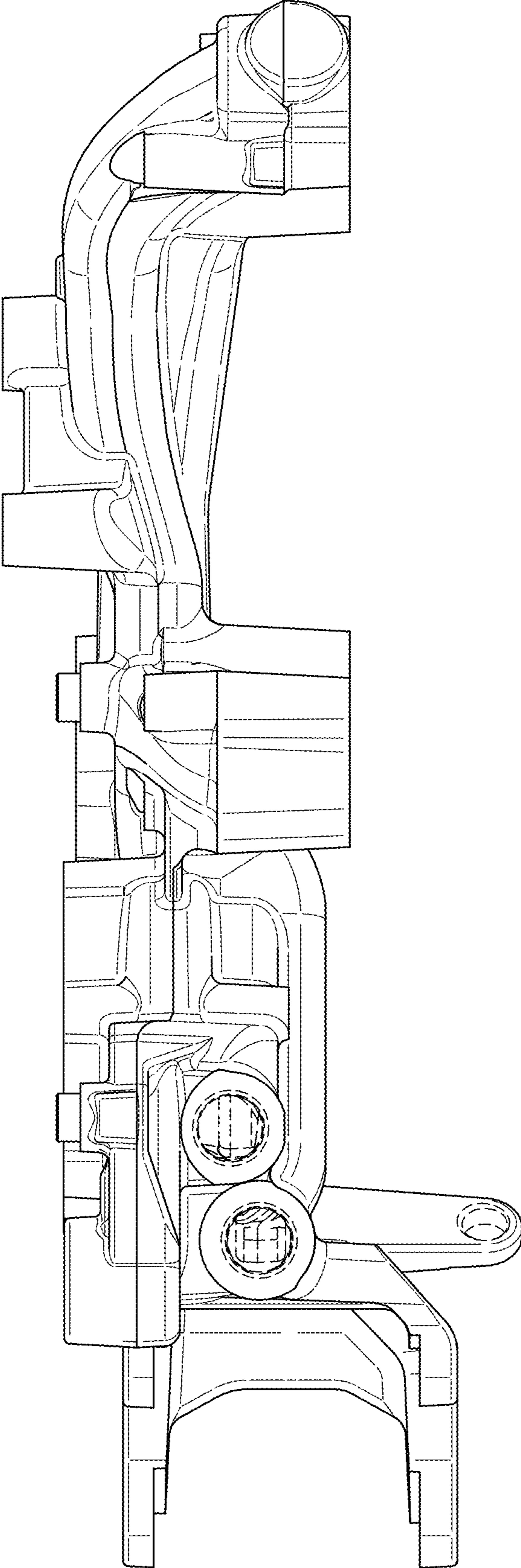


FIG. 12

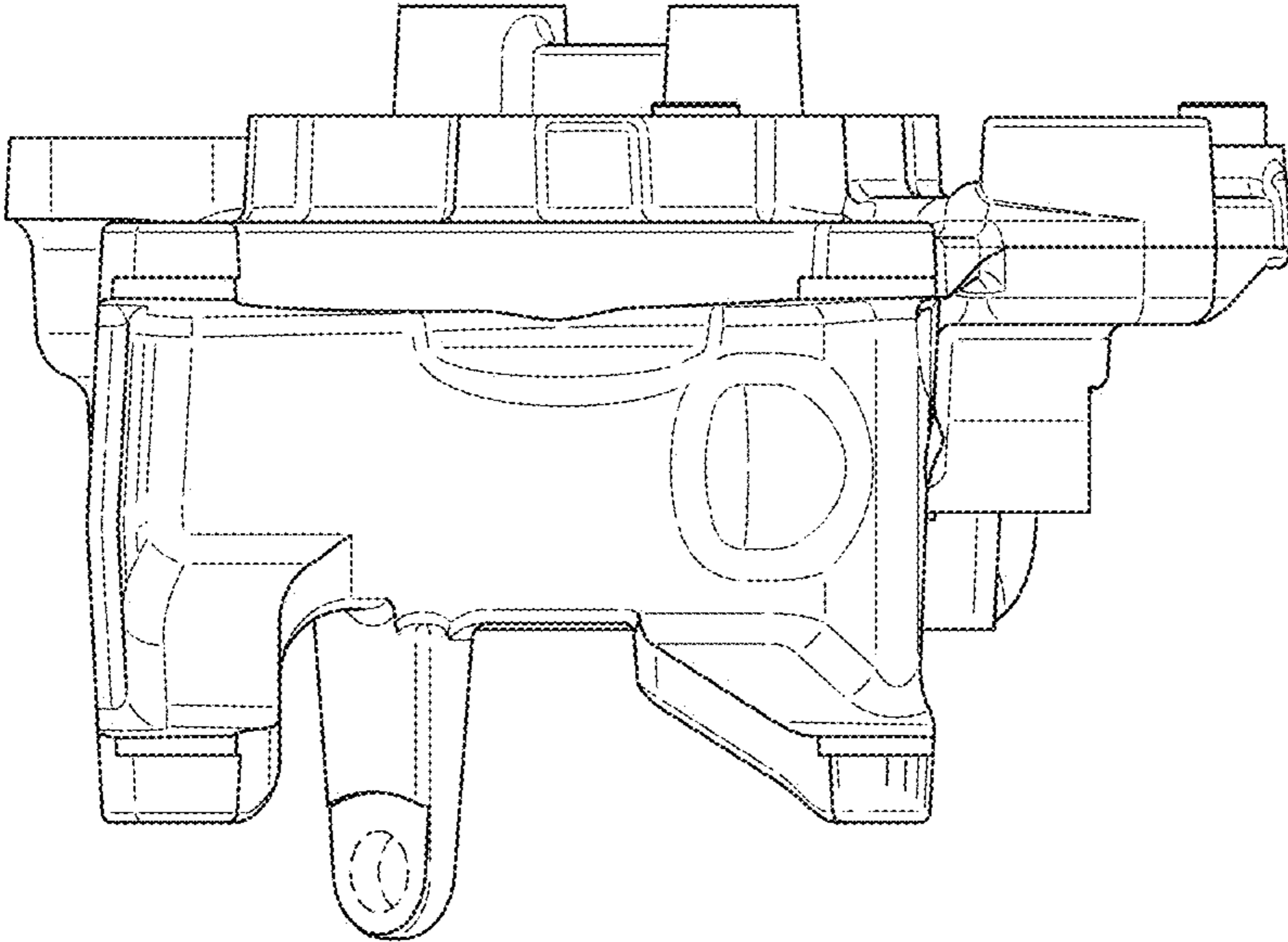


FIG. 13

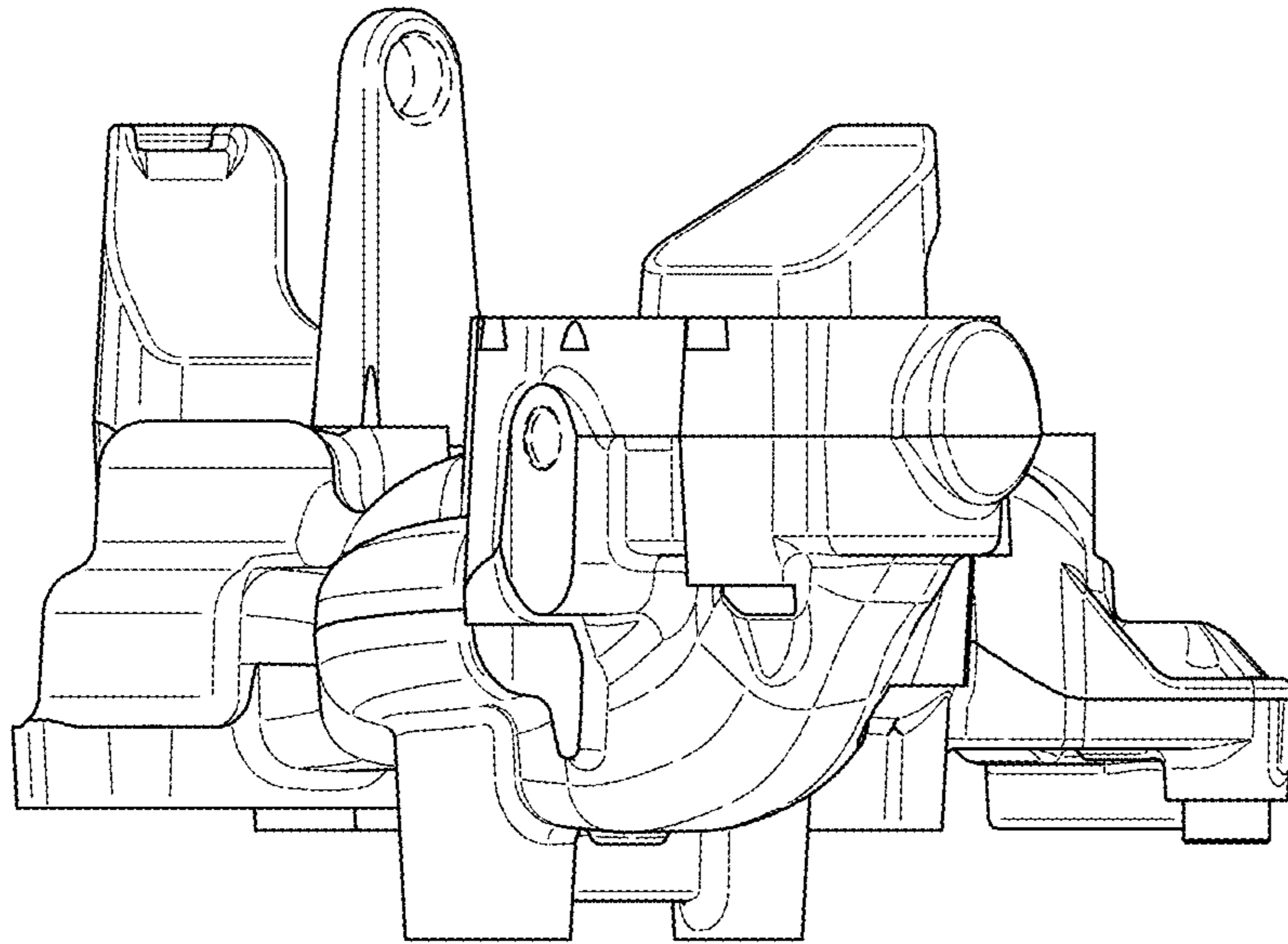


FIG. 14

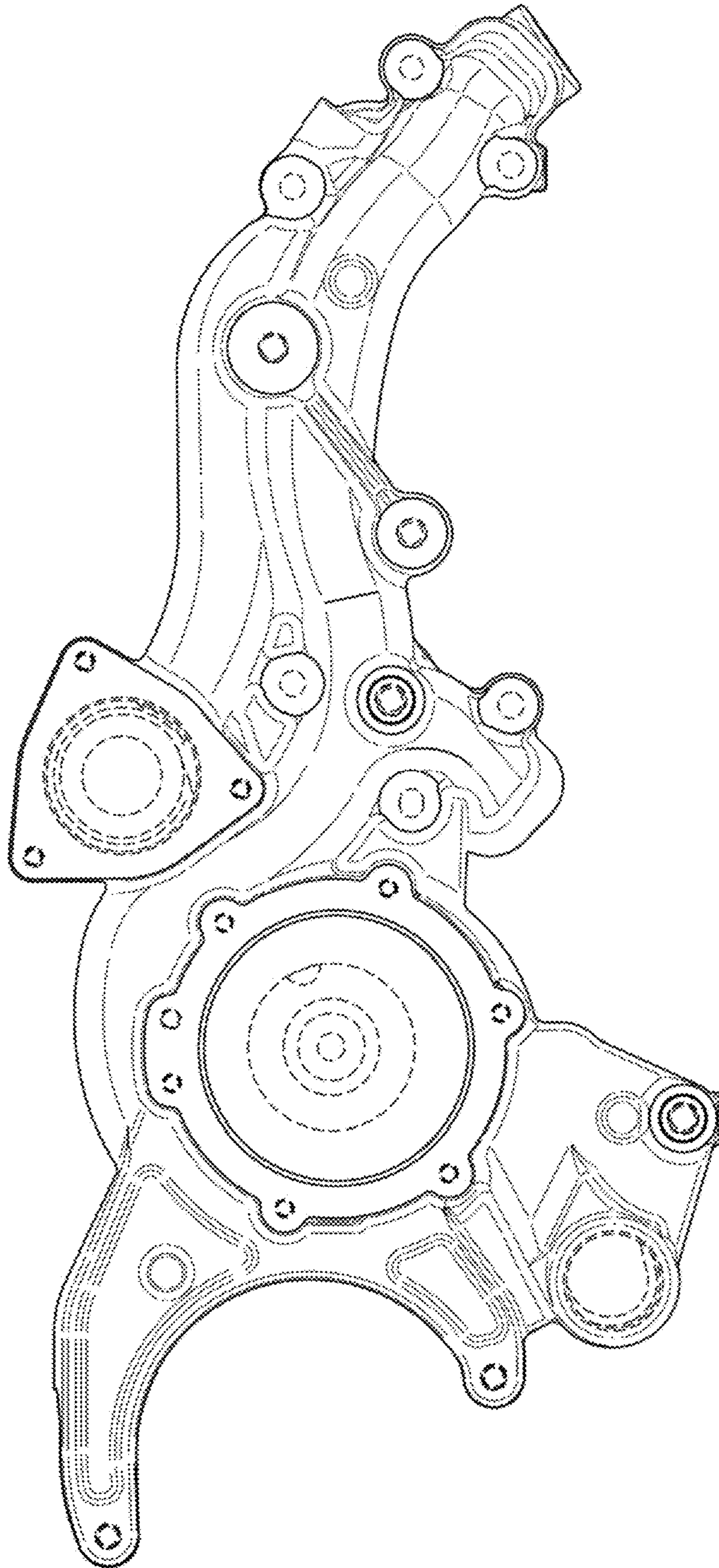


FIG. 15

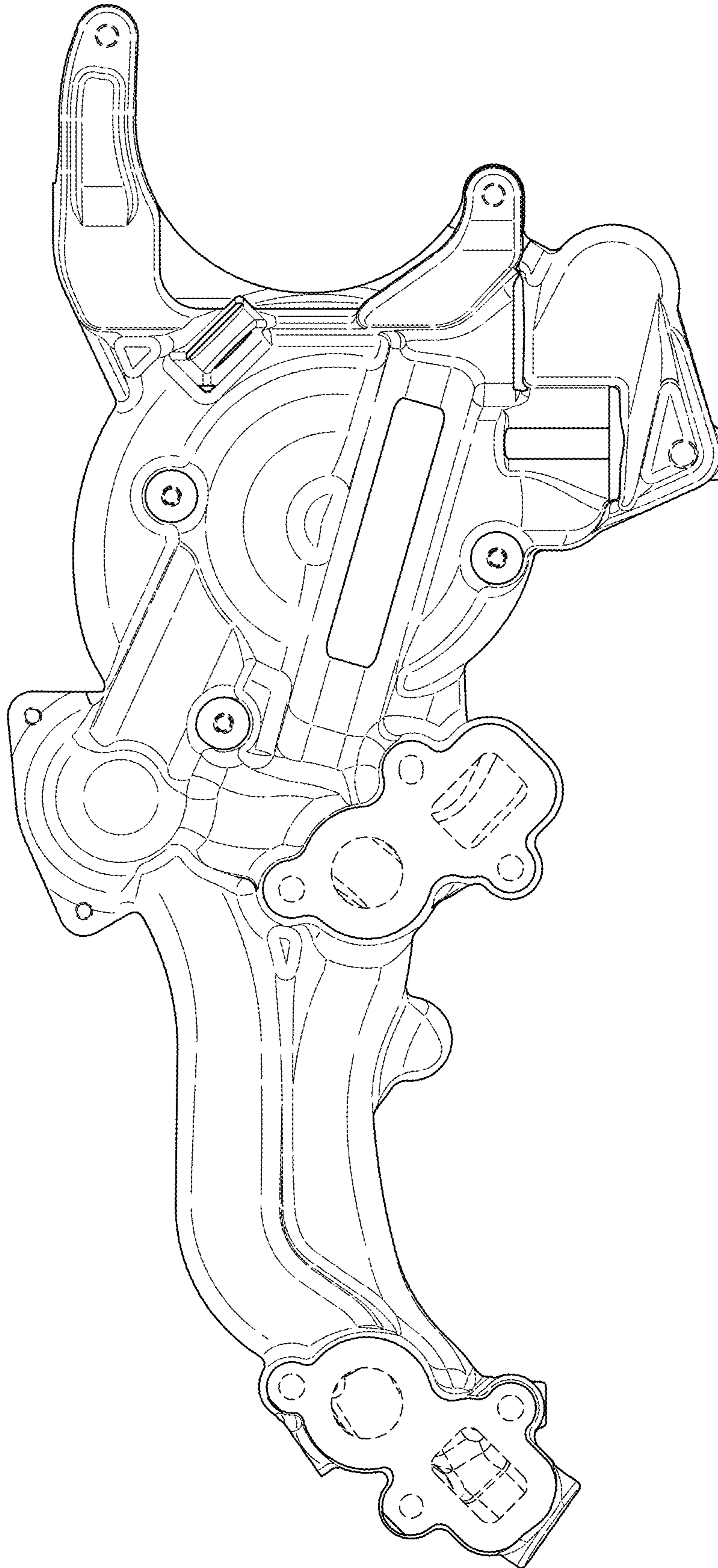


FIG. 16