



US00D916106S

(12) **United States Design Patent**
Sakuma

(10) **Patent No.:** **US D916,106 S**
(45) **Date of Patent:** **** Apr. 13, 2021**

(54) **DIGITAL CAMERA DISPLAY SCREEN WITH TRANSITIONAL GRAPHICAL USER INTERFACE**

Primary Examiner — Andrew T Nemeth

(74) *Attorney, Agent, or Firm* — Birch, Stewart, Kolasch & Birch, LLP

(71) Applicant: **FUJIFILM Corporation**, Tokyo (JP)

(72) Inventor: **Nanae Sakuma**, Saitama (JP)

(73) Assignee: **FUJIFILM Corporation**, Tokyo (JP)

(**) Term: **15 Years**

(21) Appl. No.: **29/659,467**

(22) Filed: **Aug. 9, 2018**

(30) **Foreign Application Priority Data**

Feb. 14, 2018 (JP) 2018-003028

(51) **LOC (13) Cl.** **14-04**

(52) **U.S. Cl.**
USPC **D14/486**

(58) **Field of Classification Search**
USPC D14/485–495
CPC G06F 3/048–04897
See application file for complete search history.

(56) **References Cited**

U.S. PATENT DOCUMENTS

D557,699 S	*	12/2007	Kim	D14/485
D664,976 S	*	8/2012	Everingham	D14/487
D689,885 S	*	9/2013	Edwards	D14/485
D691,170 S	*	10/2013	Thomsen	D14/487
D702,256 S	*	4/2014	Danhope	D14/488
D726,197 S	*	4/2015	Kim	D14/485
D738,396 S	*	9/2015	Kenmochi	D14/488
D794,050 S	*	8/2017	Omata	D14/486
D797,804 S	*	9/2017	Sakuma	D14/492
D799,501 S	*	10/2017	Azam	D14/485
D803,862 S	*	11/2017	Omata	D14/487
D806,090 S	*	12/2017	Azam	D14/485
D808,978 S	*	1/2018	Hazam	D14/485

(Continued)

(57) **CLAIM**

The ornamental design for a digital camera display screen with transitional graphical user interface, as shown and described.

DESCRIPTION

FIG. 1 is a perspective view of a digital camera, showing the new design;

FIG. 2 is a front view thereof;

FIG. 3 is a rear view thereof;

FIG. 4 is a top view thereof;

FIG. 5 is a left view thereof;

FIG. 6 is an enlarged view of a display portion, showing a first image of the display screen, shown separately for clarity;

FIG. 7 is an enlarged view of the display portion, showing a second image of the display screen, shown separately for clarity;

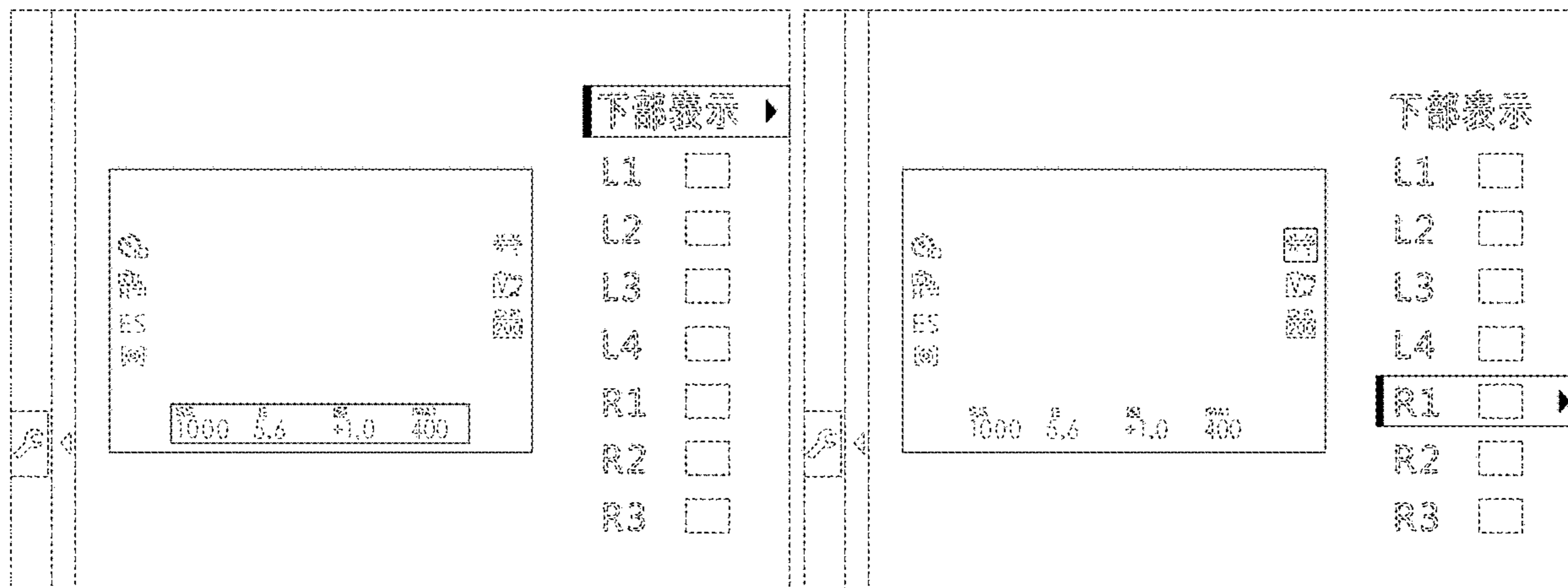
FIG. 8 is an enlarged view of the display portion, showing a third image of the display screen, shown separately for clarity; and,

FIG. 9 is an enlarged view of the display portion, showing a fourth image of the display screen, shown separately for clarity.

The broken lines showing the digital camera illustrate the environment of the claimed design and form no part thereof. The broken lines within the display screen in the drawings illustrate portions of the graphical user interface which form no part of the claimed design.

The appearance of the transitional graphical user interface sequentially transitions between the images shown in FIGS. 6-9. The process or period in which one image transitions to another image forms no part of the claimed design.

1 Claim, 9 Drawing Sheets



(56)

References Cited

U.S. PATENT DOCUMENTS

D808,979	S	*	1/2018	Hazam	D14/485
D808,980	S	*	1/2018	Hazam	D14/485
D808,981	S	*	1/2018	Hazam	D14/485
D821,433	S	*	6/2018	Omata	D14/486
D822,051	S	*	7/2018	Omata	D14/486
D835,117	S	*	12/2018	Roberts	D14/485
D853,423	S	*	7/2019	Zimmerman	D14/486
D867,391	S	*	11/2019	Yoshioka	D14/488
D872,105	S	*	1/2020	Omata	D14/485

* cited by examiner

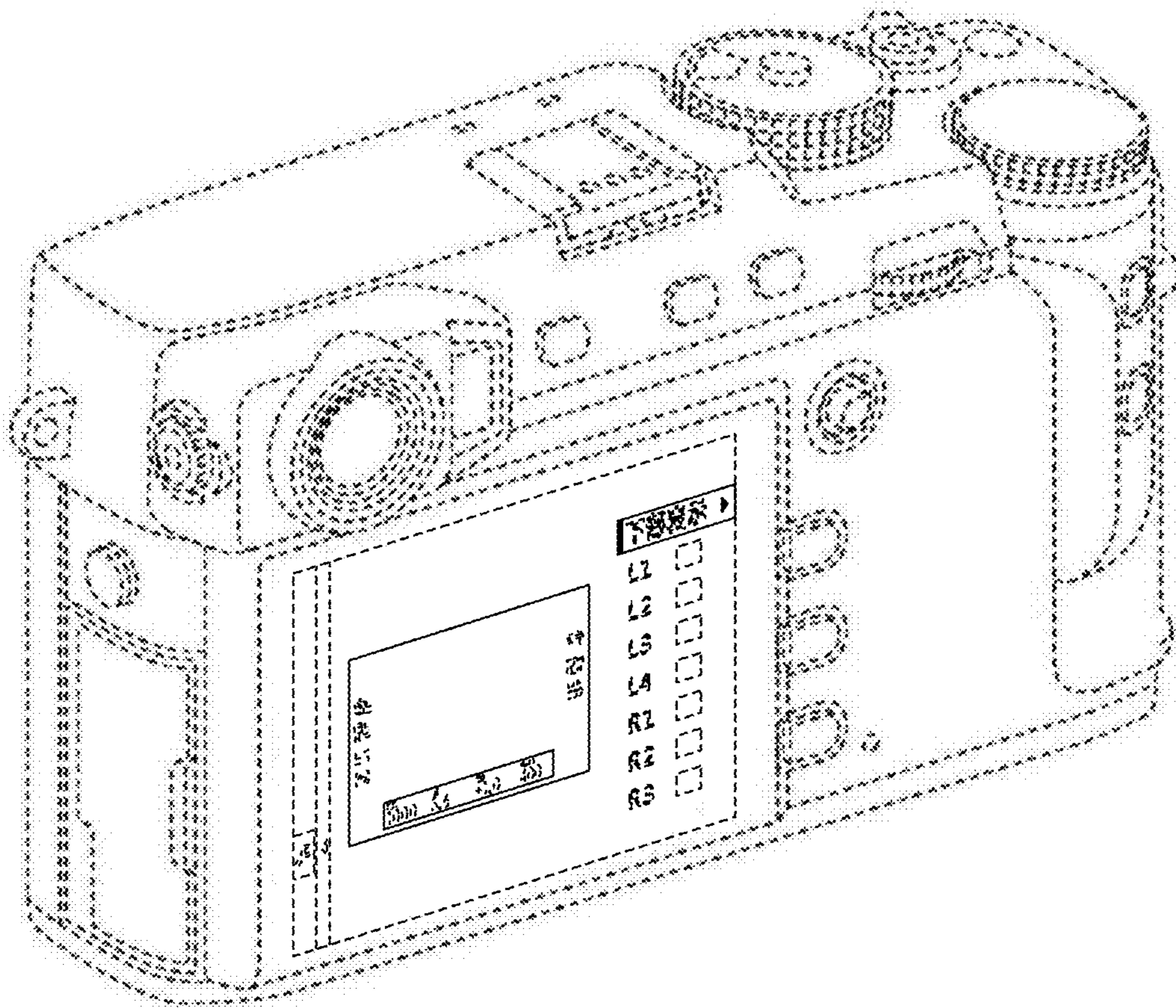


FIG. 1

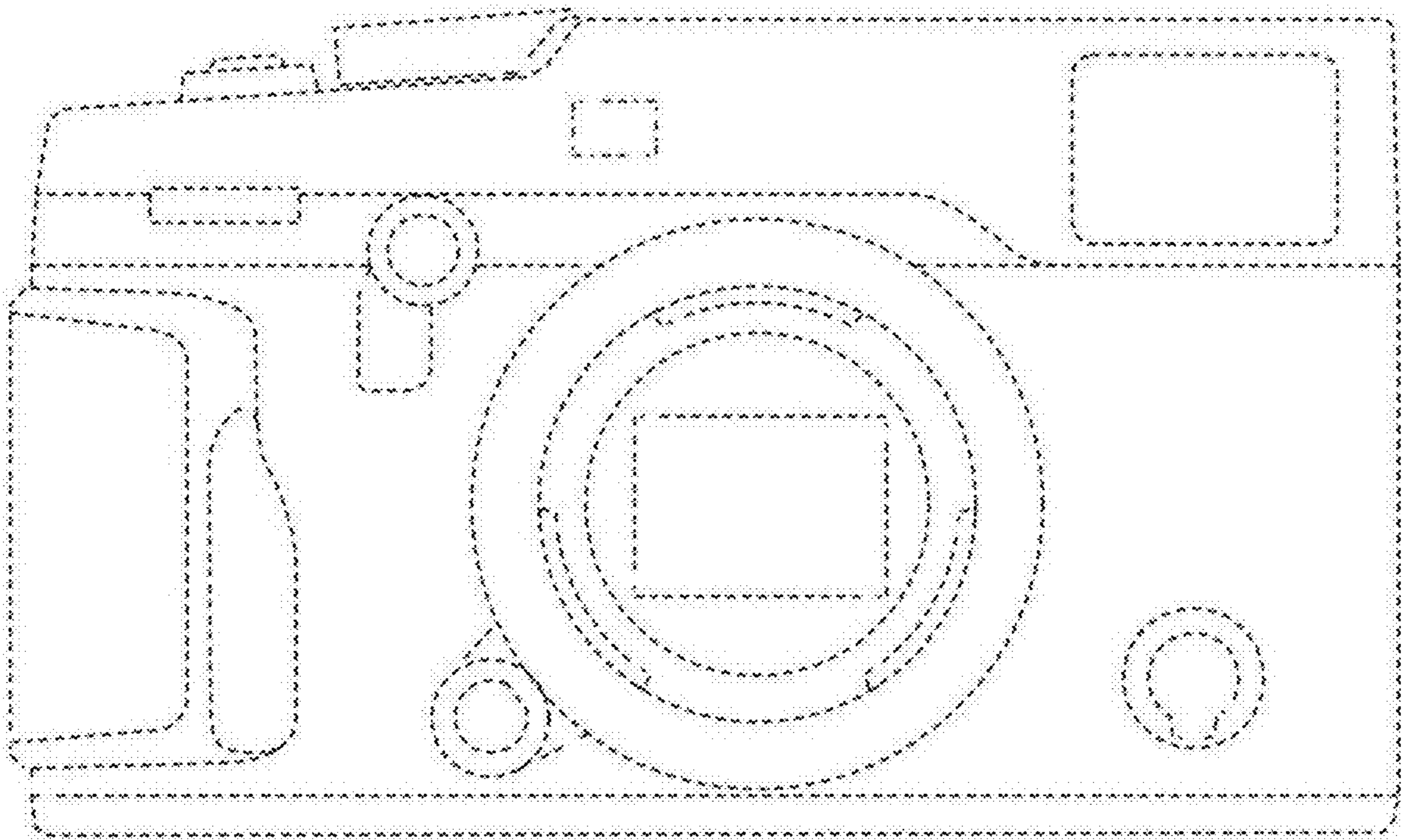


FIG.2

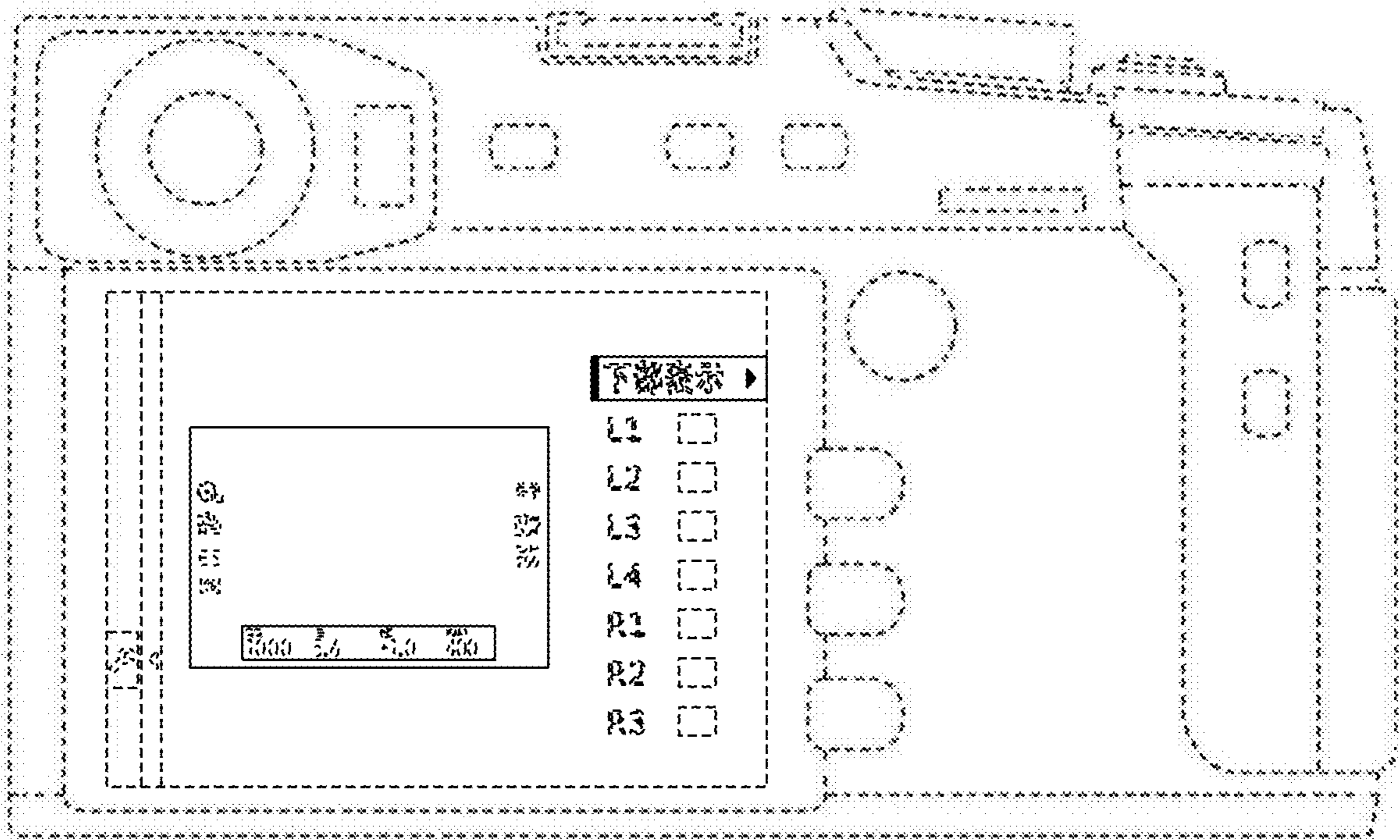


FIG.3

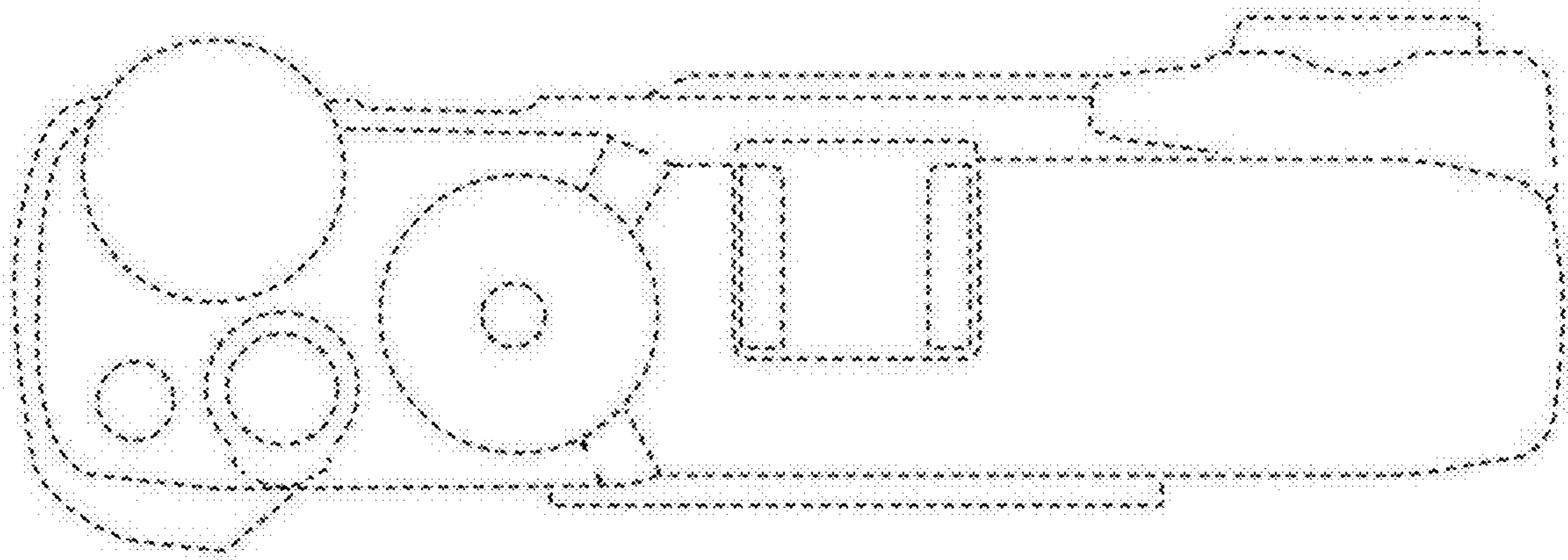


FIG.4

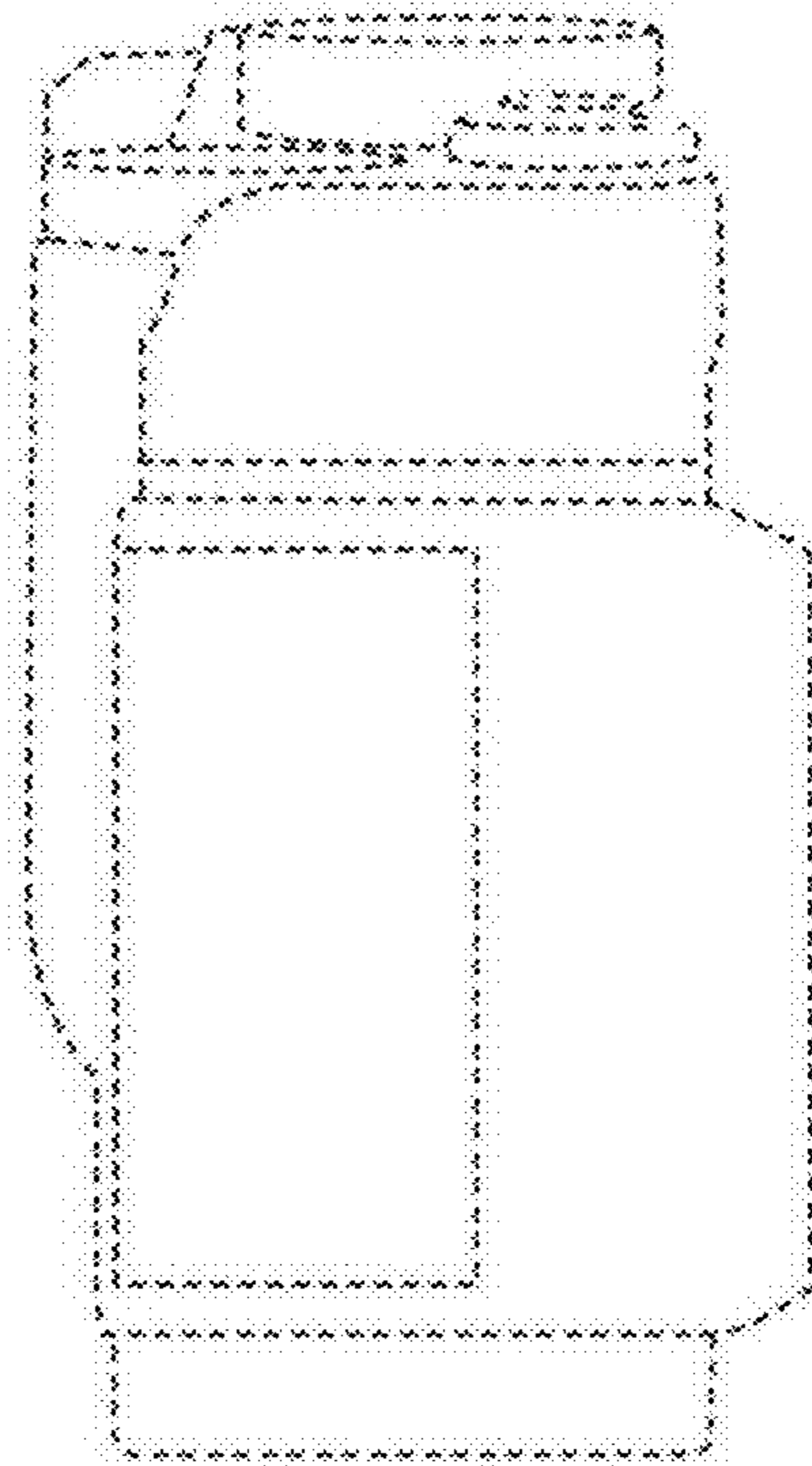


FIG.5

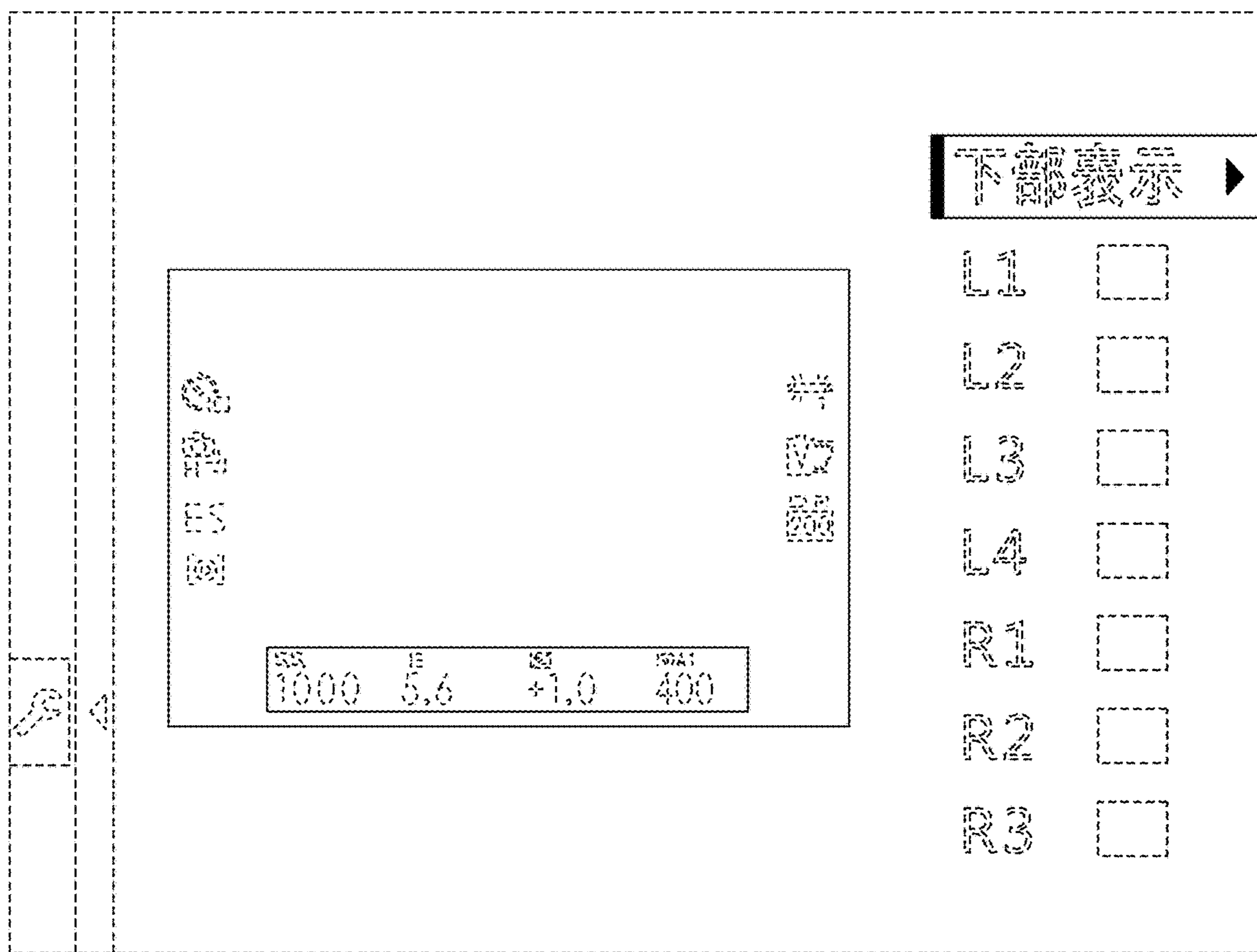


FIG.6

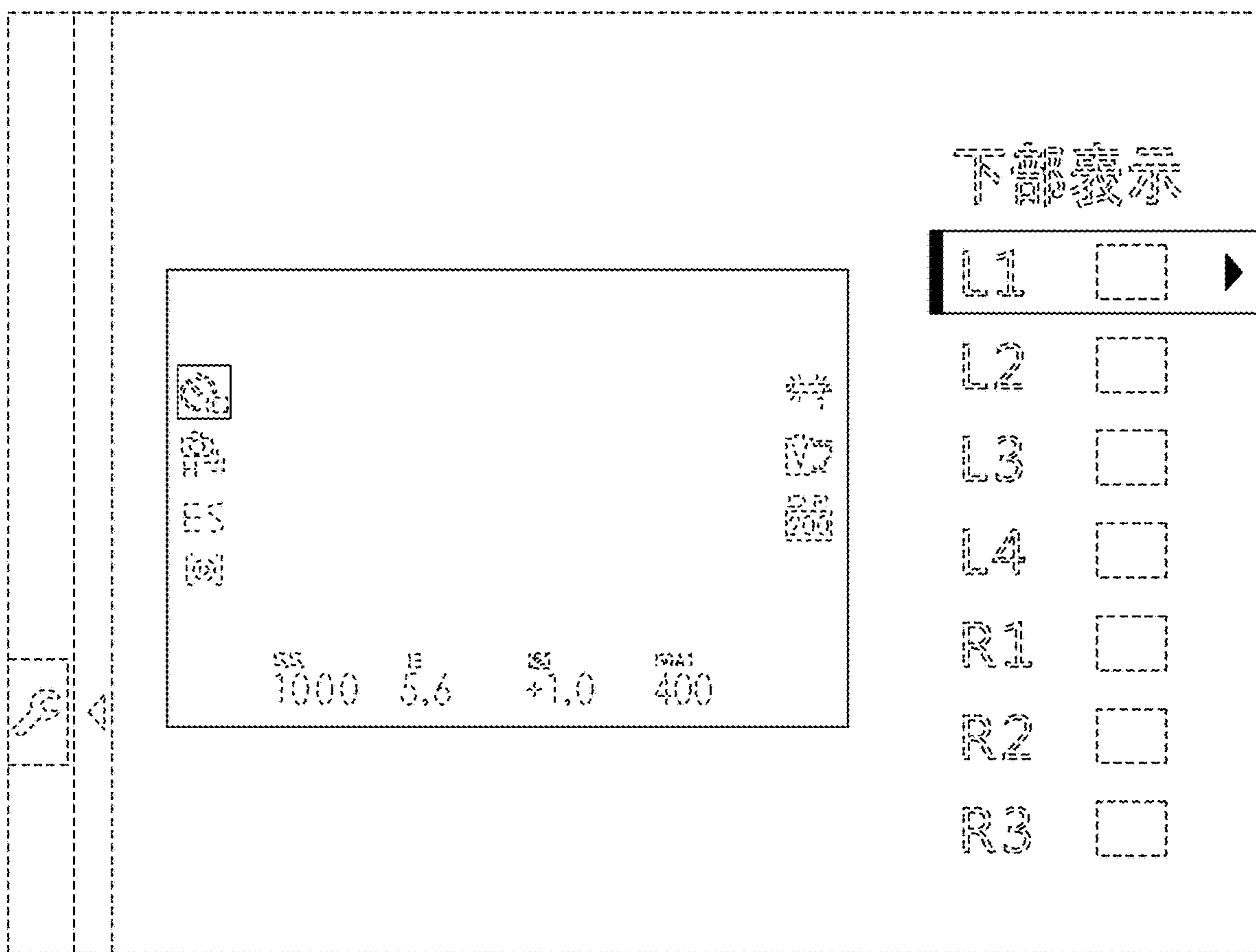


FIG.7

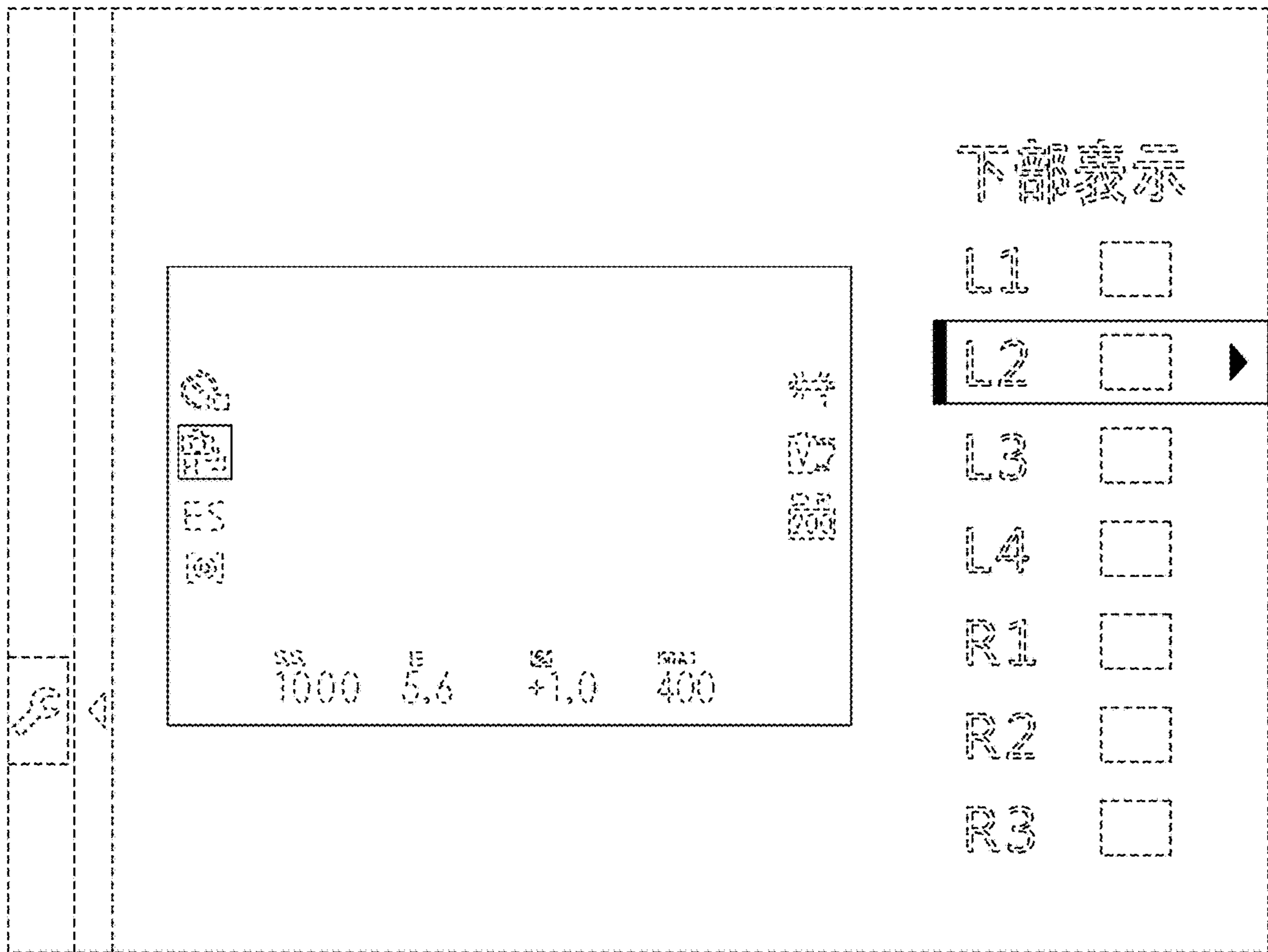


FIG.8

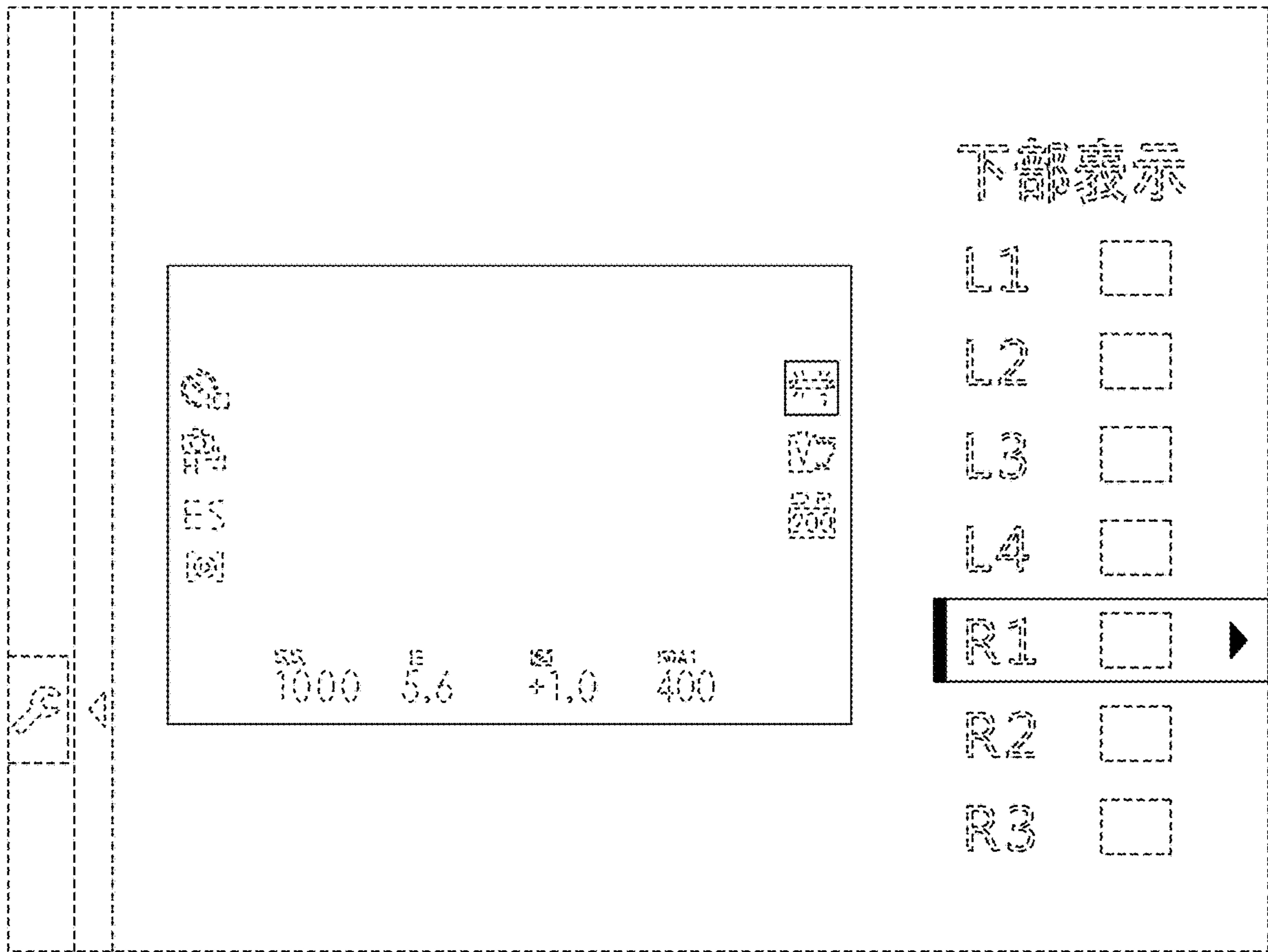


FIG.9