



US00D916100S

(12) **United States Design Patent**  
**DeSimone et al.**

(10) **Patent No.:** **US D916,100 S**  
(45) **Date of Patent:** **\*\* Apr. 13, 2021**

(54) **ELECTRONIC VISUAL DISPLAY WITH GRAPHICAL USER INTERFACE FOR PHYSICS STATUS AND OPERATIONS**

(71) Applicant: **ANSYS, Inc.**, Canonsburg, PA (US)

(72) Inventors: **Frank Edward DeSimone**, Bolton, MA (US); **Glyn Russell Jarvis**, Pittsburgh, PA (US); **Sanjaykumar Ranganayakulu**, Pittsburgh, PA (US); **Jared Anthony Pryor**, Chicago, IL (US); **Andrea Woolfe Felix**, Grantham, NH (US); **Gregory Mark Alldredge**, Henderson, CO (US); **Richard Franklin Kutz**, Windsor, CO (US)

(73) Assignee: **Ansys, Inc.**, Canonsburg, PA (US)

(\*\*) Term: **15 Years**

(21) Appl. No.: **29/686,505**

(22) Filed: **Apr. 4, 2019**

(51) **LOC (13) Cl.** ..... **14-04**

(52) **U.S. Cl.**  
USPC ..... **D14/485**

(58) **Field of Classification Search**  
USPC ..... D14/485-95  
CPC .. G06F 3/0481; G06F 3/0482; G06F 3/04812; G06F 3/04817; G06F 3/0484; G06F 3/0485; G06F 3/048; G06F 3/0487; G06F 3/0488; G06F 3/04883; G06F 3/04886; G06F 3/0489; G06F 3/0486; G06F 3/04842; G06F 3/04845; G06F 3/04847  
See application file for complete search history.

(56) **References Cited**

**U.S. PATENT DOCUMENTS**

5,767,854 A \* 6/1998 Anwar ..... G06F 3/0481  
715/848  
5,784,060 A \* 7/1998 Bertram ..... G06F 3/04886  
345/169

D600,714 S *	9/2009	LaManna	.....	D14/492
D713,410 S *	9/2014	Francisco	.....	D14/485
D723,060 S *	2/2015	Daniel	.....	D14/492
D749,630 S *	2/2016	Hwang	.....	D14/489
D752,084 S *	3/2016	Xie	.....	D14/487
D754,729 S *	4/2016	Kim	.....	D14/489
D755,850 S *	5/2016	Park	.....	D14/492
D755,851 S *	5/2016	Kim	.....	D14/492
D758,432 S *	6/2016	Woo	.....	D14/489
D771,128 S *	11/2016	Butcher	.....	D14/489
D772,288 S *	11/2016	Montes	.....	D14/489
D774,086 S *	12/2016	Montes	.....	D14/489
D817,968 S *	5/2018	Kim	.....	D14/485
D824,921 S *	8/2018	Gillette	.....	D14/485
D825,602 S *	8/2018	Gardner	.....	D14/486
D830,409 S *	10/2018	Agarwal	.....	D14/488
D834,614 S *	11/2018	Stray	.....	D14/492
D837,254 S *	1/2019	Gardner	.....	D14/486
D842,880 S *	3/2019	Gardner	.....	D14/486

(Continued)

*Primary Examiner* — Melanie H Tung

(74) *Attorney, Agent, or Firm* — Jones Day

(57) **CLAIM**

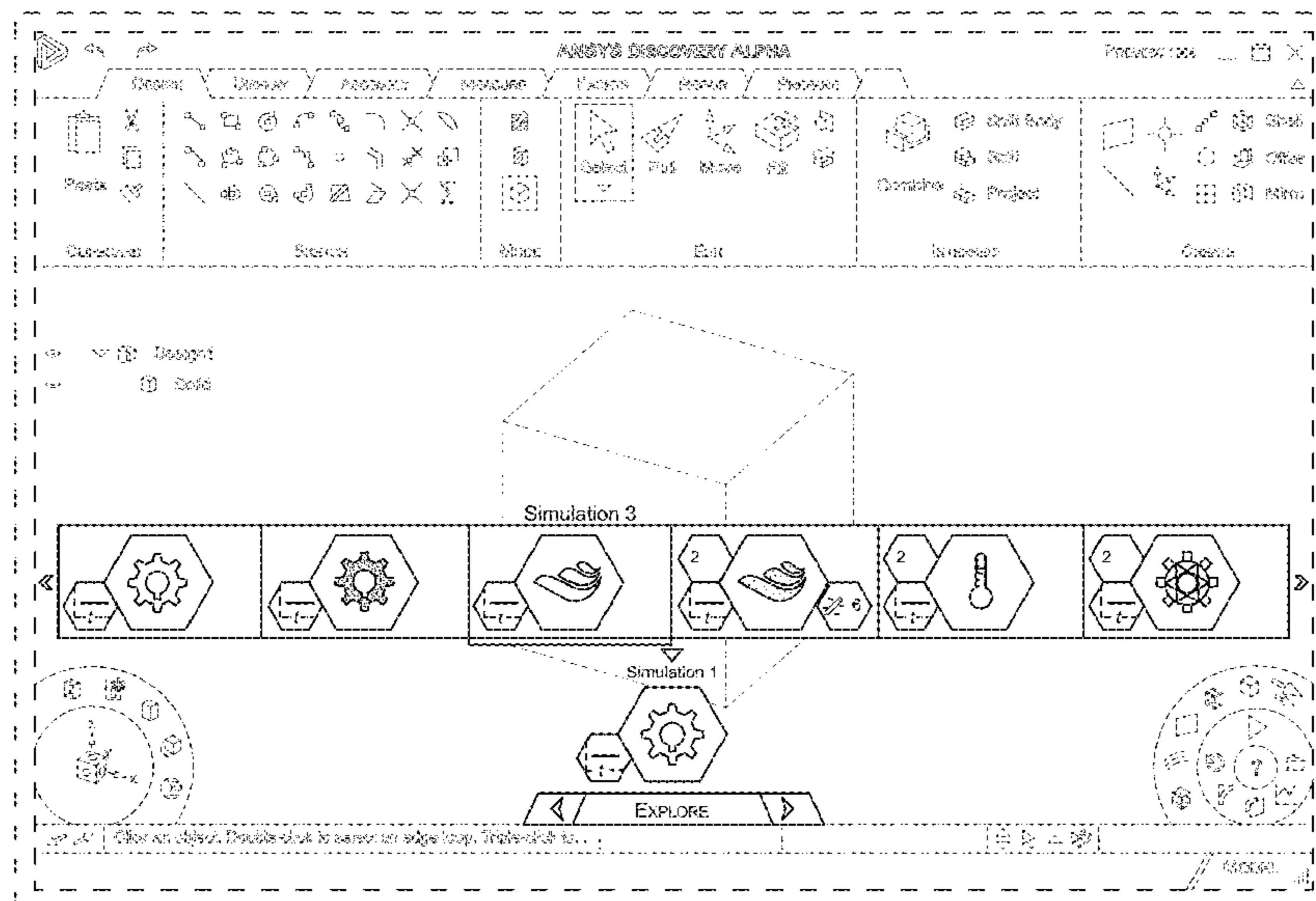
The ornamental design for a electronic visual display with graphical user interface for physics status and operations, as shown and described.

**DESCRIPTION**

FIG. 1 is a front view of an electronic visual display with graphical user interface for physics status and operations; FIG. 2 is a front view of a second embodiment thereof; and, FIG. 3 is a front view of a third embodiment thereof.

The outer broken lines showing the electronic visual display forms no part of the claimed designed. The remaining broken lines showing text and portions of the graphical user interface form no part of the claimed design.

**1 Claim, 3 Drawing Sheets**



(56)

## References Cited

## U.S. PATENT DOCUMENTS

10,416,839 B2 \* 9/2019 Guillama ..... G06F 3/0482  
D862,502 S \* 10/2019 McCormick ..... D14/486  
D869,474 S \* 12/2019 McCormick ..... G09B 5/06  
D14/485  
D881,913 S \* 4/2020 Harry ..... D14/486  
D883,325 S \* 5/2020 Wu ..... D14/489  
D883,327 S \* 5/2020 Wu ..... D14/489  
D888,092 S \* 6/2020 Li ..... D14/489  
D888,093 S \* 6/2020 Huft ..... D14/489  
D890,200 S \* 7/2020 Kokubo ..... D14/486  
D898,044 S \* 10/2020 La Guardia ..... D14/485  
2011/0047491 A1 \* 2/2011 Hwang ..... G06F 3/0488  
715/765  
2013/0311954 A1 \* 11/2013 Minkinen ..... G06F 3/04883  
715/862  
2015/0128049 A1 \* 5/2015 Block ..... G06F 3/1423  
715/728  
2015/0163345 A1 \* 6/2015 Cornaby ..... G06F 3/0236  
345/633  
2015/0261412 A1 \* 9/2015 Guillama ..... G06F 3/0482  
715/835  
2015/0317058 A1 \* 11/2015 Babarykin ..... G06F 3/0482  
715/765  
2016/0314436 A1 \* 10/2016 Kim ..... G06Q 10/06  
2016/0342306 A1 \* 11/2016 Ho ..... G06F 3/0488  
2017/0162071 A1 \* 6/2017 Gallegos ..... G09B 17/003  
2017/0206004 A1 \* 7/2017 De Bruyn ..... G06F 3/018  
2017/0300198 A1 \* 10/2017 Rosenberg ..... G06F 3/011  
2020/0012392 A1 \* 1/2020 Guillama ..... G06F 3/04817  
2020/0064983 A1 \* 2/2020 Higuchi ..... G09G 5/377

\* cited by examiner

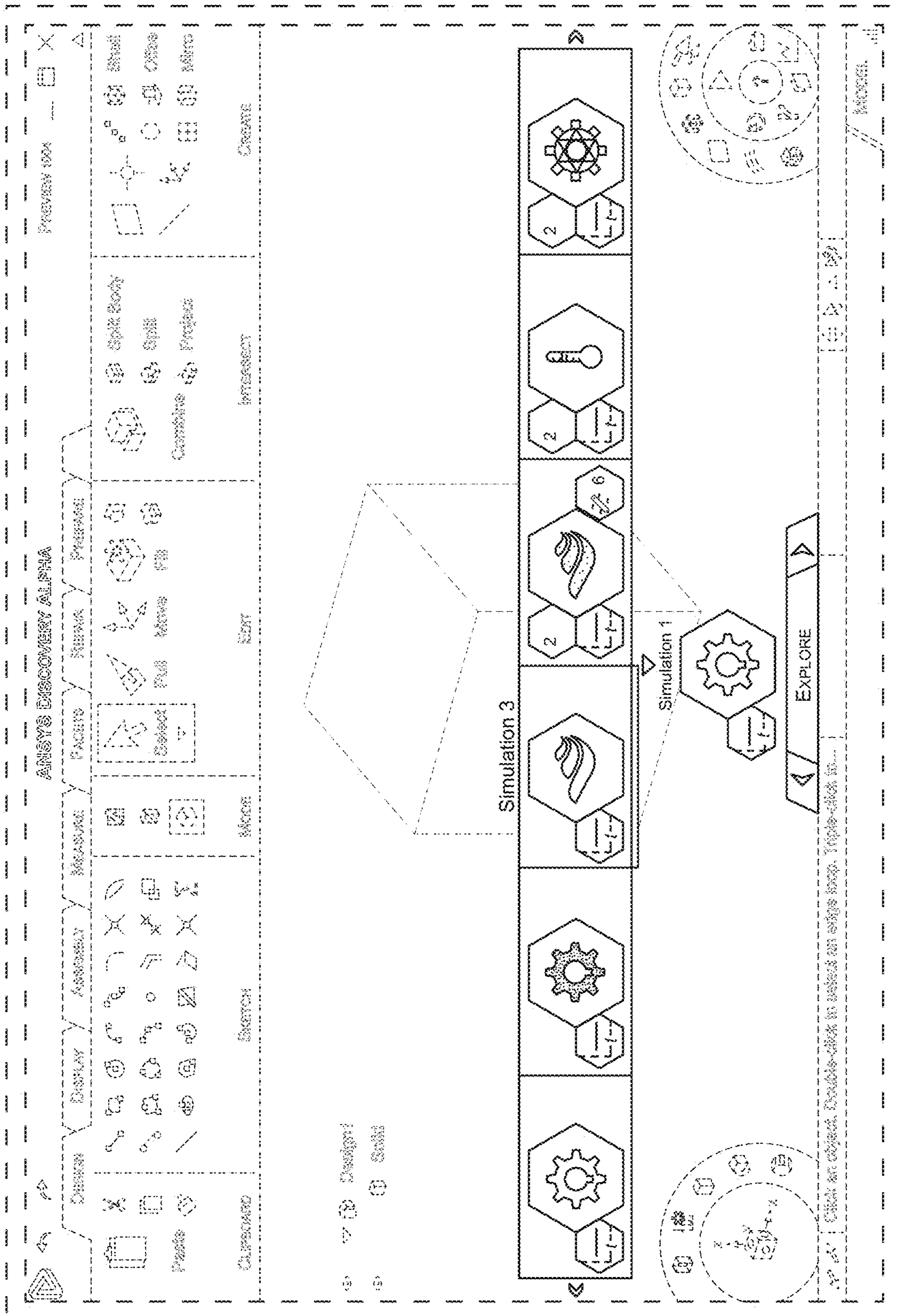


FIG. 1

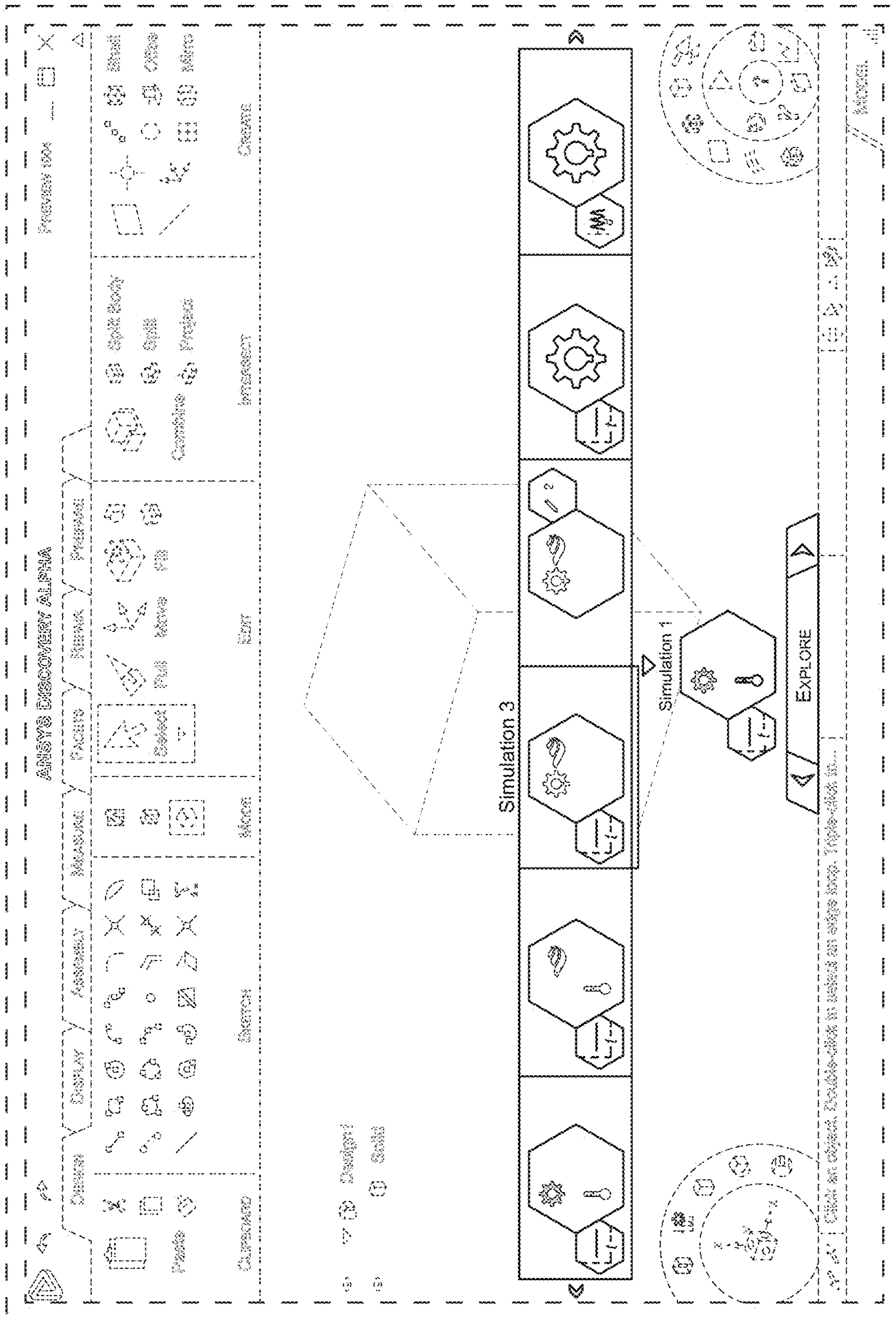


FIG. 2

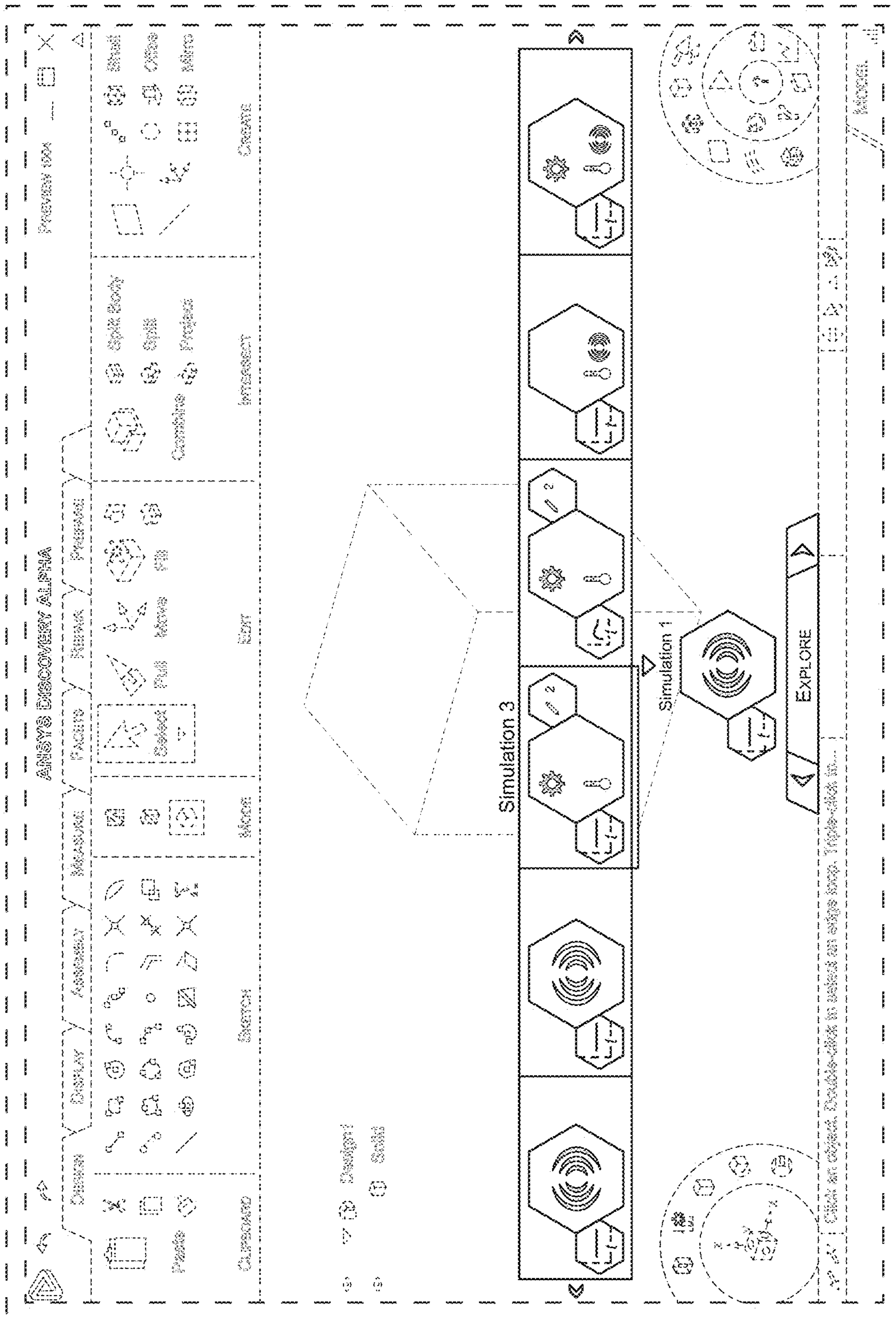


FIG. 3