



US00D916099S

(12) **United States Design Patent** (10) **Patent No.:** **US D916,099 S**
DeSimone et al. (45) **Date of Patent:** **** Apr. 13, 2021**

(54) **ELECTRONIC VISUAL DISPLAY WITH
STRUCTURE MODELING TOOL
GRAPHICAL USER INTERFACE**

(71) Applicant: **ANSYS, Inc.**, Canonsburg, PA (US)

(72) Inventors: **Frank Edward DeSimone**, Bolton, MA (US); **Samuel Chi-Ngong Mark**, Kent, WA (US); **Muhammad Rafiuddin**, Des Plaines, IL (US); **Gregory Mark Alldredge**, Henderson, CO (US); **Sanjaykumar Ranganayakulu**, Pittsburgh, PA (US)

(73) Assignee: **Ansys, Inc.**, Canonsburg, PA (US)

(**) Term: **15 Years**

(21) Appl. No.: **29/686,504**

(22) Filed: **Apr. 4, 2019**

(51) **LOC (13) Cl.** **14-04**

(52) **U.S. Cl.**
USPC **D14/485**

(58) **Field of Classification Search**
USPC D14/485-95
CPC .. G06F 3/0481; G06F 3/0482; G06F 3/04812;
G06F 3/04817; G06F 3/0484; G06F
3/0485; G06F 3/048; G06F 3/0487; G06F
3/0488; G06F 3/04883; G06F 3/04886;
G06F 3/0489; G06F 3/0486; G06F
3/04842; G06F 3/04845; G06F 3/04847
See application file for complete search history.

(56) **References Cited**
U.S. PATENT DOCUMENTS

5,524,196 A * 6/1996 Blades G06F 3/0482
715/834

D396,455 S * 7/1998 Bier D14/489

D448,777	S	*	10/2001	Kuhlman	D14/489
D461,822	S	*	8/2002	Okuley	D14/489
D602,033	S	*	10/2009	Vu	D14/485
D630,646	S	*	1/2011	Wilson	D14/487
D630,647	S	*	1/2011	Wilson	D14/487
D635,987	S	*	4/2011	Mays	D14/487
D635,988	S	*	4/2011	Mays	D14/487
D716,316	S	*	10/2014	Behzadi	D14/485
D716,320	S	*	10/2014	Fan	D14/485
D761,299	S	*	7/2016	Rajendran	D14/488
D765,669	S	*	9/2016	Shaw	D14/485
D786,269	S	*	5/2017	Lin	D14/485
D800,764	S	*	10/2017	Thoreson	D14/488
D803,878	S	*	11/2017	Lin	D14/489
D837,825	S	*	1/2019	Varghese	D14/489
D840,428	S	*	2/2019	Narinedhat	D14/488
D894,917	S	*	9/2020	Milnark	D14/486
2002/0085037	A1	*	7/2002	Leavitt	G06F 3/0482 715/765
2005/0010955	A1	*	1/2005	Elia	G06F 3/0482 725/88
2006/0117067	A1	*	6/2006	Wright	G06Q 10/04
2007/0256029	A1	*	11/2007	Maxwell	G06F 3/0482 715/834

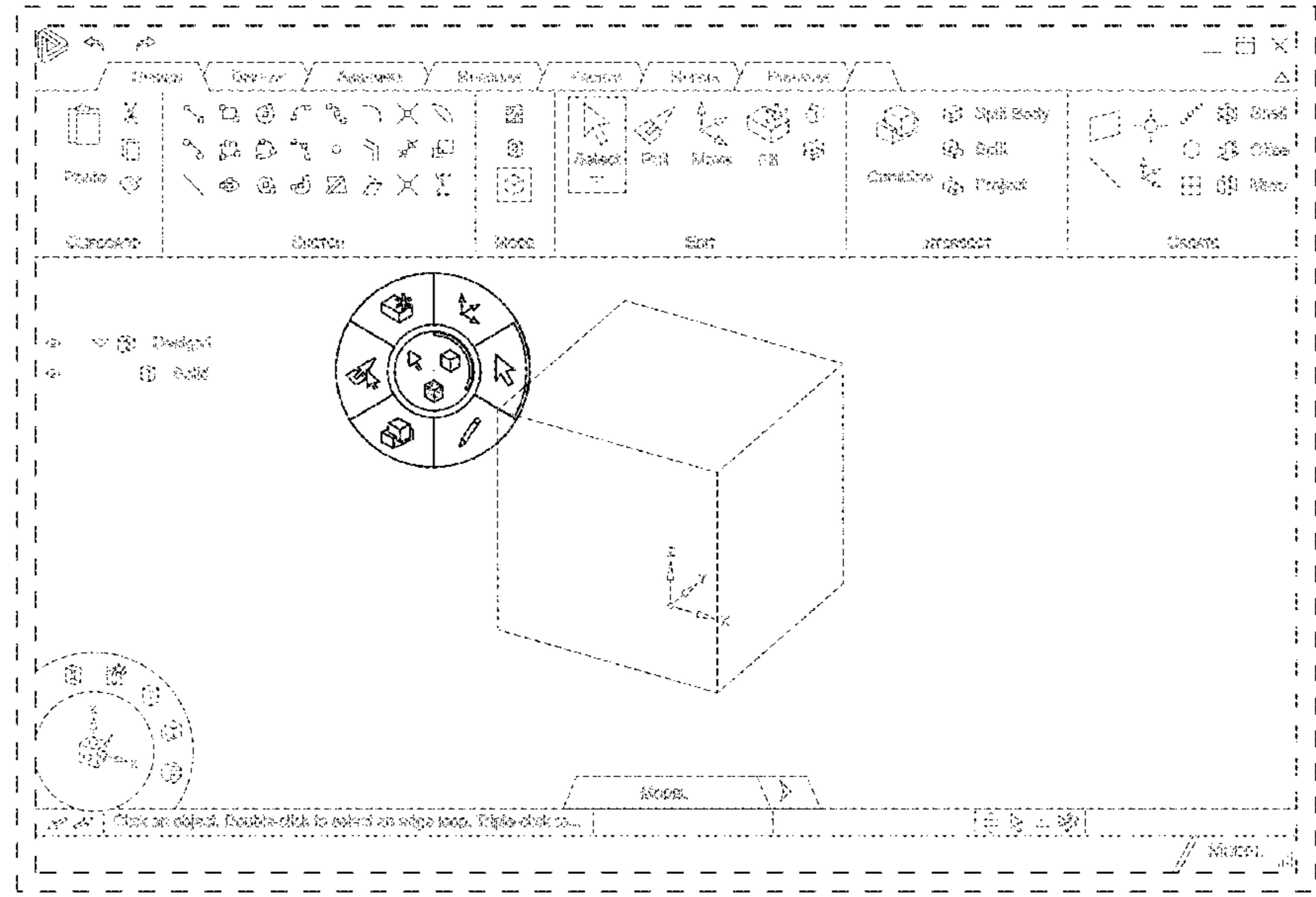
(Continued)

Primary Examiner — Melanie H Tung
(74) *Attorney, Agent, or Firm* — Jones Day

(57) **CLAIM**
The ornamental design for a electronic visual display with structure modeling tool graphical user interface, as shown and described.

DESCRIPTION
The single FIGURE is a front view of an electronic visual display with structure modeling tool graphical user interface.
The outer broken lines showing the electronic visual display forms no part of the claimed design. The remaining broken lines showing text and portions of the graphical user interface form no part of the claimed design.

1 Claim, 1 Drawing Sheet



(56)

References Cited

U.S. PATENT DOCUMENTS

2007/0271528 A1* 11/2007 Park H04M 1/72544
715/810
2009/0019397 A1* 1/2009 Buffet G06F 3/0482
715/837
2009/0327963 A1* 12/2009 Mouilleseaux G06F 3/0482
715/834
2009/0327964 A1* 12/2009 Mouilleseaux G06F 3/0482
715/834
2011/0066980 A1* 3/2011 Chmielewski G06F 3/0482
715/834
2013/0104079 A1* 4/2013 Yasui G06F 3/0482
715/834
2013/0127911 A1* 5/2013 Brown G06F 3/04847
345/649
2013/0132904 A1* 5/2013 Primiani G06F 3/048
715/834
2014/0195979 A1* 7/2014 Branton G06F 3/0488
715/834
2015/0160807 A1* 6/2015 Vakharia G06Q 30/0627
705/26.63
2016/0026345 A1* 1/2016 Yao G06F 3/04842
715/815
2016/0147433 A1* 5/2016 Lin G06F 3/0482
715/834
2016/0364089 A1* 12/2016 Blackman G06F 3/0482
2018/0367330 A1* 12/2018 Kang H04L 29/08

* cited by examiner

