



US00D916097S

(12) **United States Design Patent**
Lin et al.

(10) **Patent No.:** **US D916,097 S**
(45) **Date of Patent:** **** Apr. 13, 2021**

- (54) **KEYCAP HAVING LID**
- (71) Applicant: **Acer Incorporated**, New Taipei (TW)
- (72) Inventors: **Cheng-Han Lin**, New Taipei (TW);
Hung-Chi Chen, New Taipei (TW)
- (73) Assignee: **Acer Incorporated**, New Taipei (TW)
- (**) Term: **15 Years**
- (21) Appl. No.: **29/707,083**
- (22) Filed: **Sep. 26, 2019**

(30) **Foreign Application Priority Data**

- Jun. 25, 2019 (TW) 108303741
- (51) **LOC (13) Cl.** **14-02**
- (52) **U.S. Cl.**
USPC **D14/456**
- (58) **Field of Classification Search**
USPC D14/391-399, 455, 456, 385
CPC H01H 2219/036; H01H 2219/054; H01H
2223/03; B41J 5/12
See application file for complete search history.

(56) **References Cited**

U.S. PATENT DOCUMENTS

- 3,317,019 A * 5/1967 Braune B41J 5/102
400/490
- D219,027 S * 10/1970 Miller D14/456
- 3,916,150 A * 10/1975 Abernethy H01H 3/122
200/344
- 5,183,346 A * 2/1993 Tesar B41J 5/10
400/490
- D607,461 S * 1/2010 Wang D14/456
- D739,411 S * 9/2015 Bonnstauffer D14/456
- 9,184,001 B2 * 11/2015 Lin H01H 13/84
- D775,137 S * 12/2016 Zhou D14/456
- 10,115,538 B2 * 10/2018 Wang F21V 3/062
- D879,794 S * 3/2020 Wu D14/456

- 10,714,281 B2 * 7/2020 Chen H01H 3/125
- 2003/0095106 A1 * 5/2003 Wang G06F 3/0338
345/168
- 2008/0205961 A1 * 8/2008 Stachurski G06F 3/0219
400/490
- 2014/0299458 A1 * 10/2014 Bonnstauffer H01H 13/14
200/5 A
- 2020/0321171 A1 * 10/2020 Xiao H01H 13/83

* cited by examiner

Primary Examiner — Keli L Hill

Assistant Examiner — Harold E Blackwell, II

(74) *Attorney, Agent, or Firm* — JCIPRNET

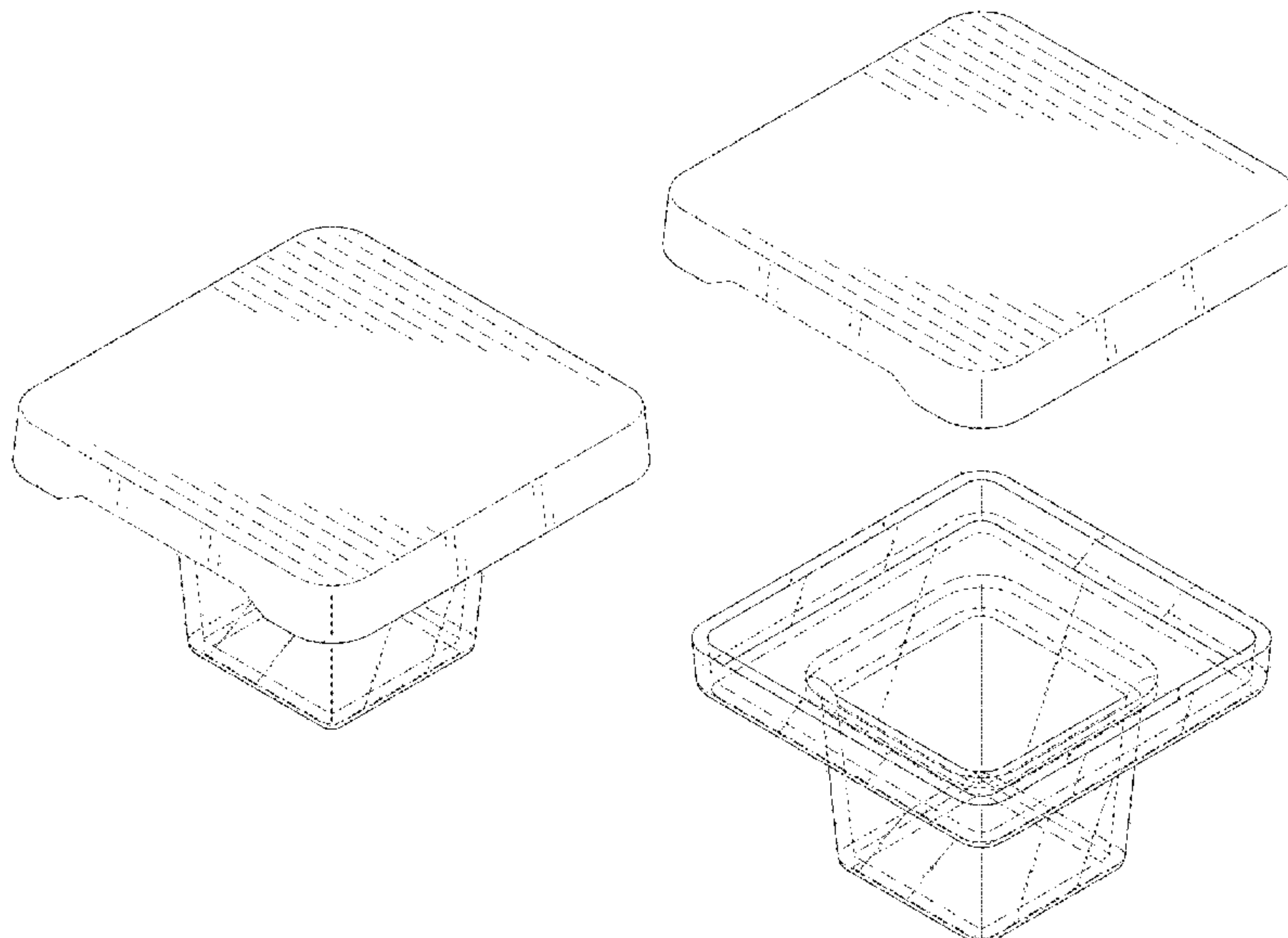
(57) **CLAIM**

The ornamental design for a keycap having lid, as shown and described.

DESCRIPTION

FIG. 1 is a perspective view of a keycap having lid showing our new design;
 FIG. 2 is a front view thereof;
 FIG. 3 is a rear view thereof;
 FIG. 4 is a left side view thereof;
 FIG. 5 is a right side view thereof;
 FIG. 6 is a top view thereof;
 FIG. 7 is a bottom view thereof;
 FIG. 8 is an exploded view thereof;
 FIG. 9 is a front view thereof in a first usage state; and,
 FIG. 10 is a front view thereof in a second usage state.
 The broken line portions of the keycap having lid represent unclaimed portions of the claimed design and form no part thereof.
 In FIG. 8, the lid is disassembled from the bottom of the keycap. In FIG. 9, the bottom of the keycap is configured with a rubber dome, and the lid is configured to protect the rubber dome. In FIG. 10, the bottom of the keycap is configured with a spring, and the lid is configured to protect the spring.

1 Claim, 7 Drawing Sheets



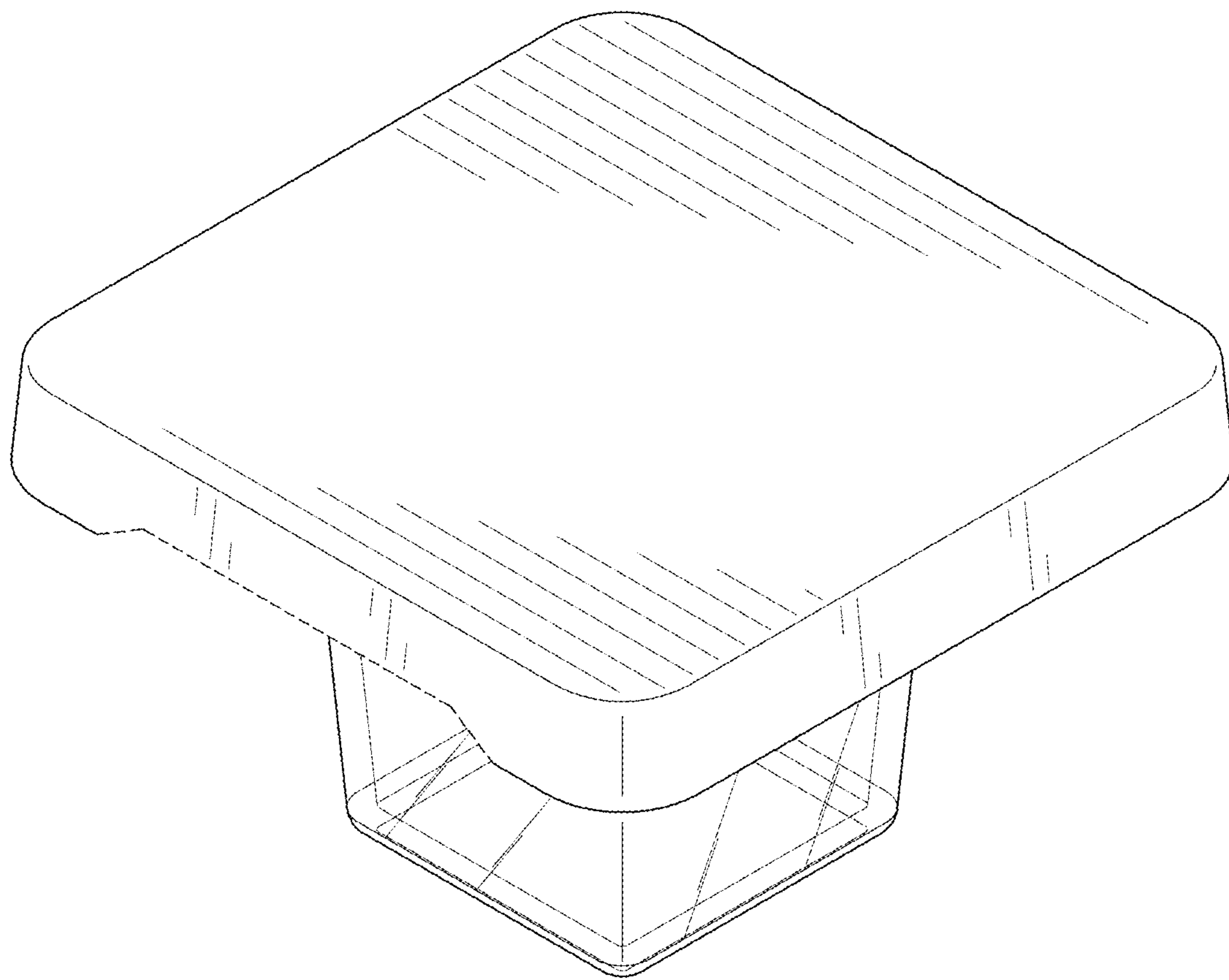


FIG. 1

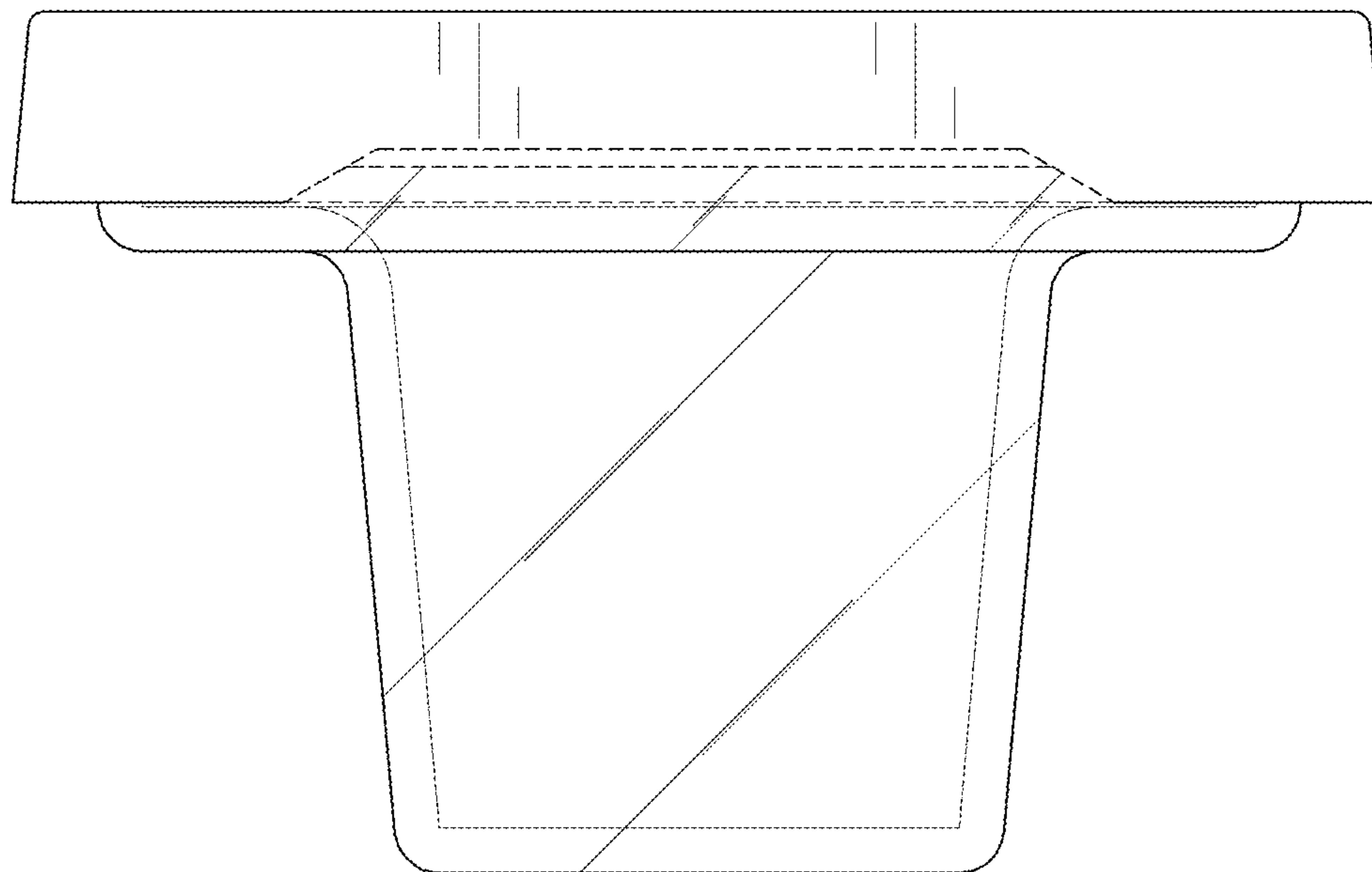


FIG. 2

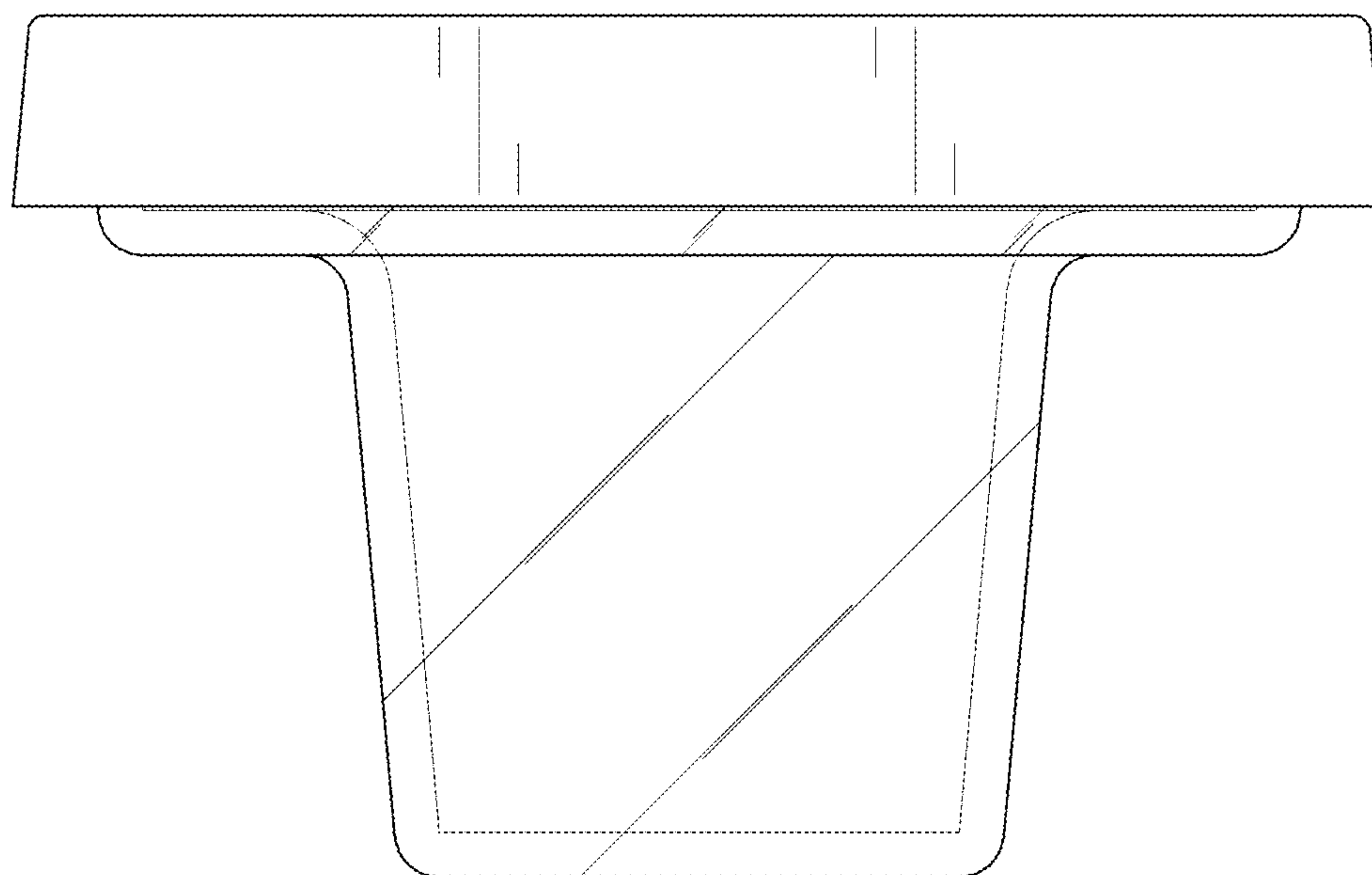


FIG. 3

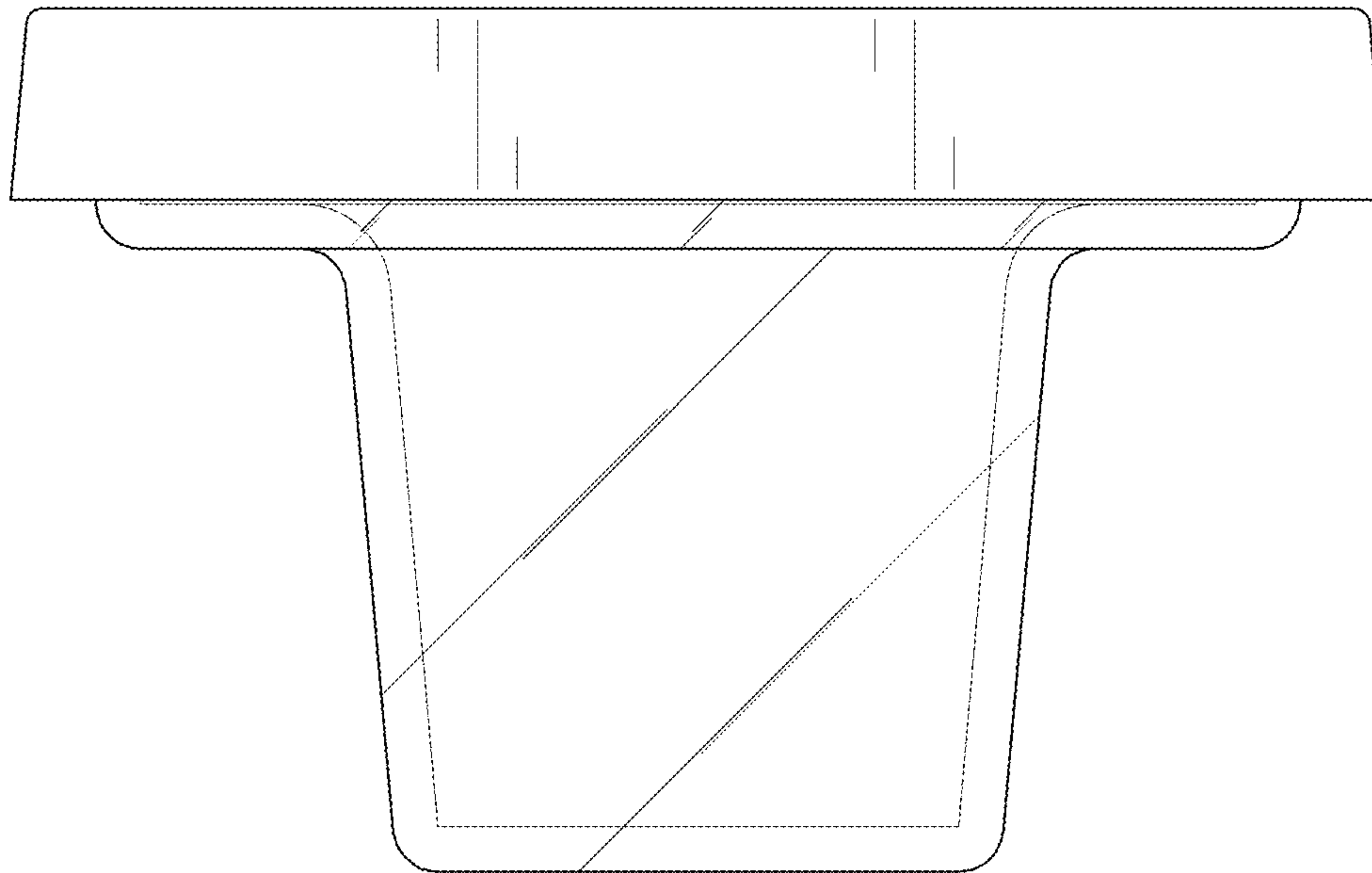


FIG. 4

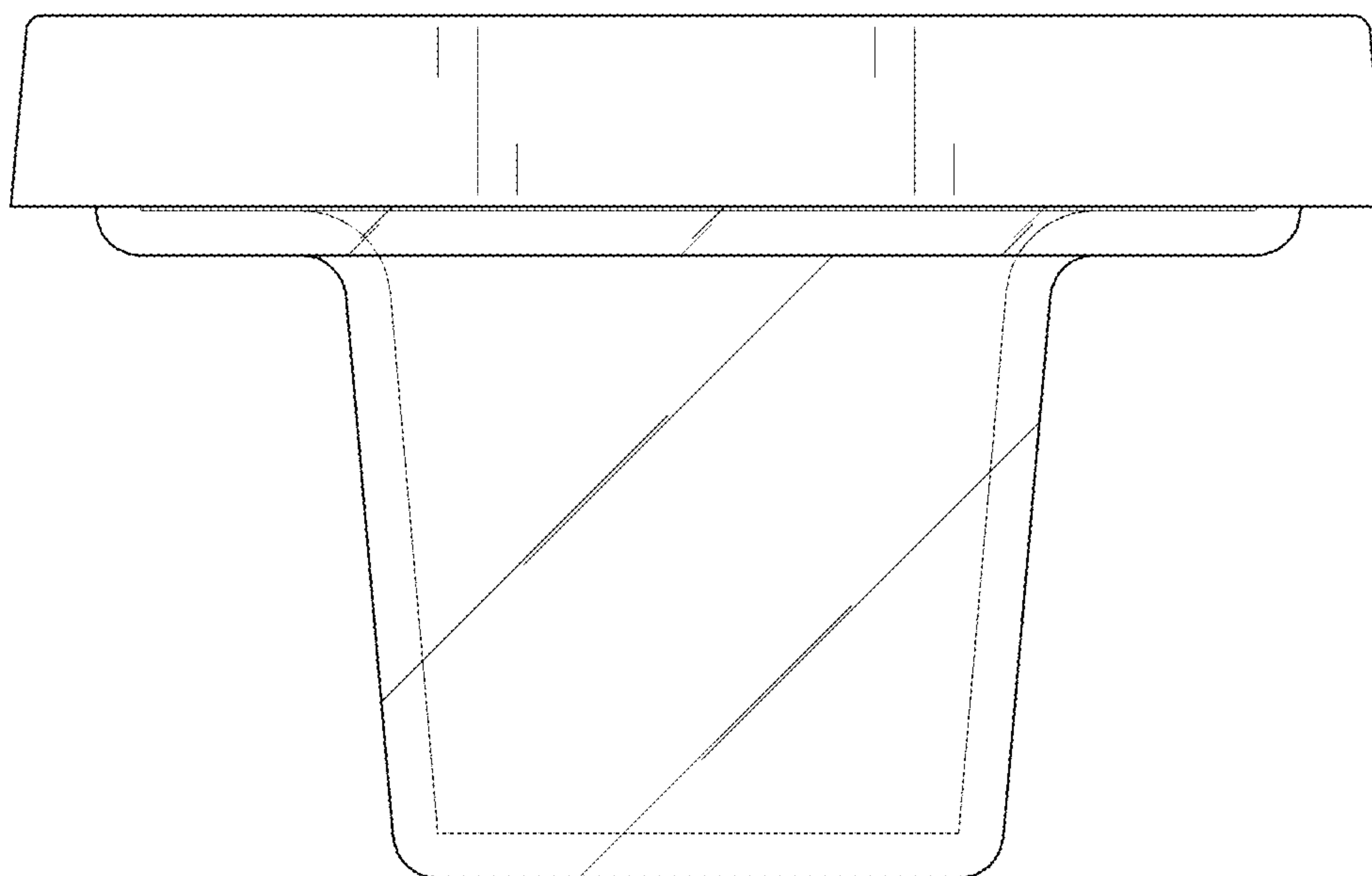


FIG. 5

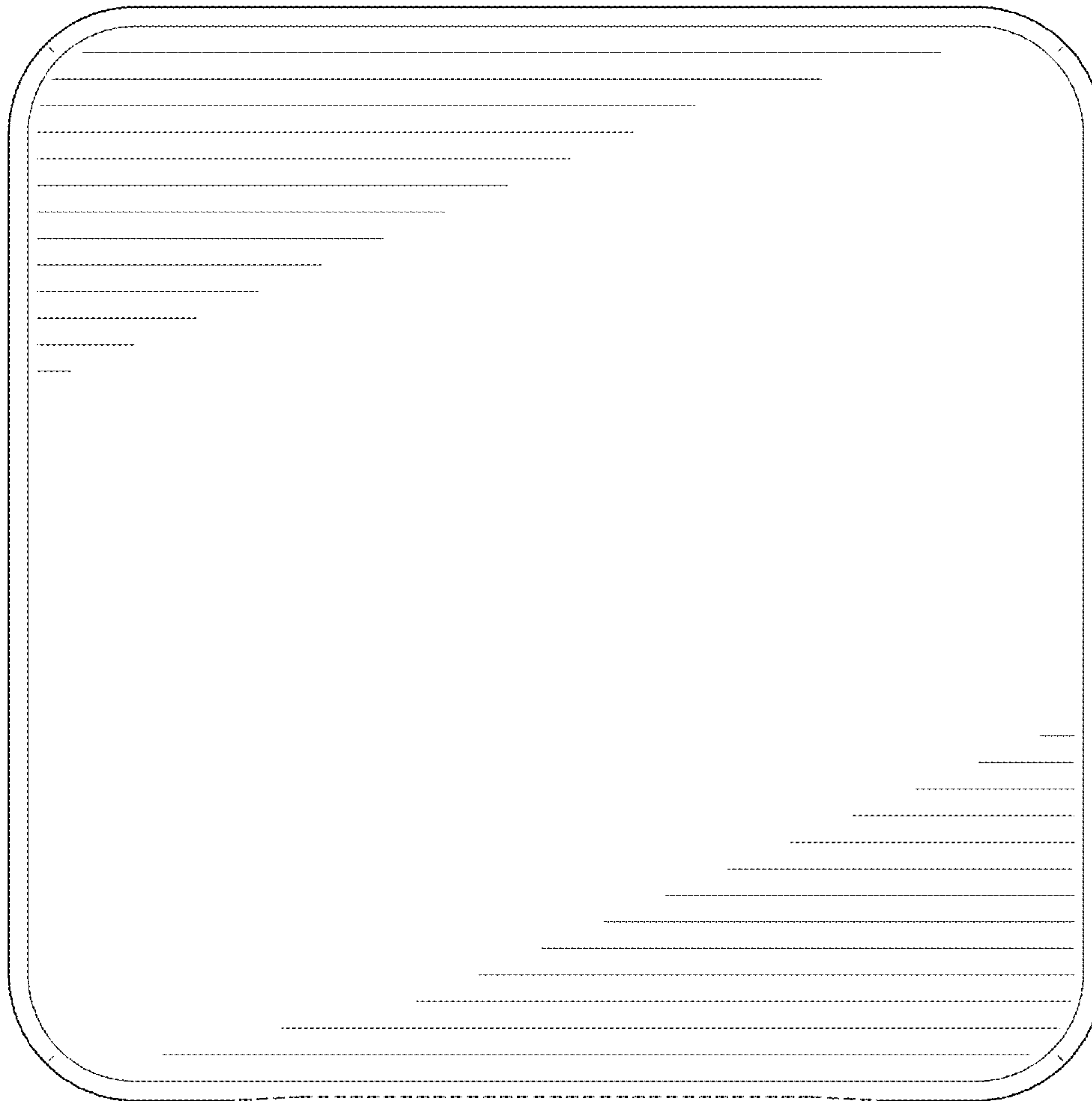


FIG. 6

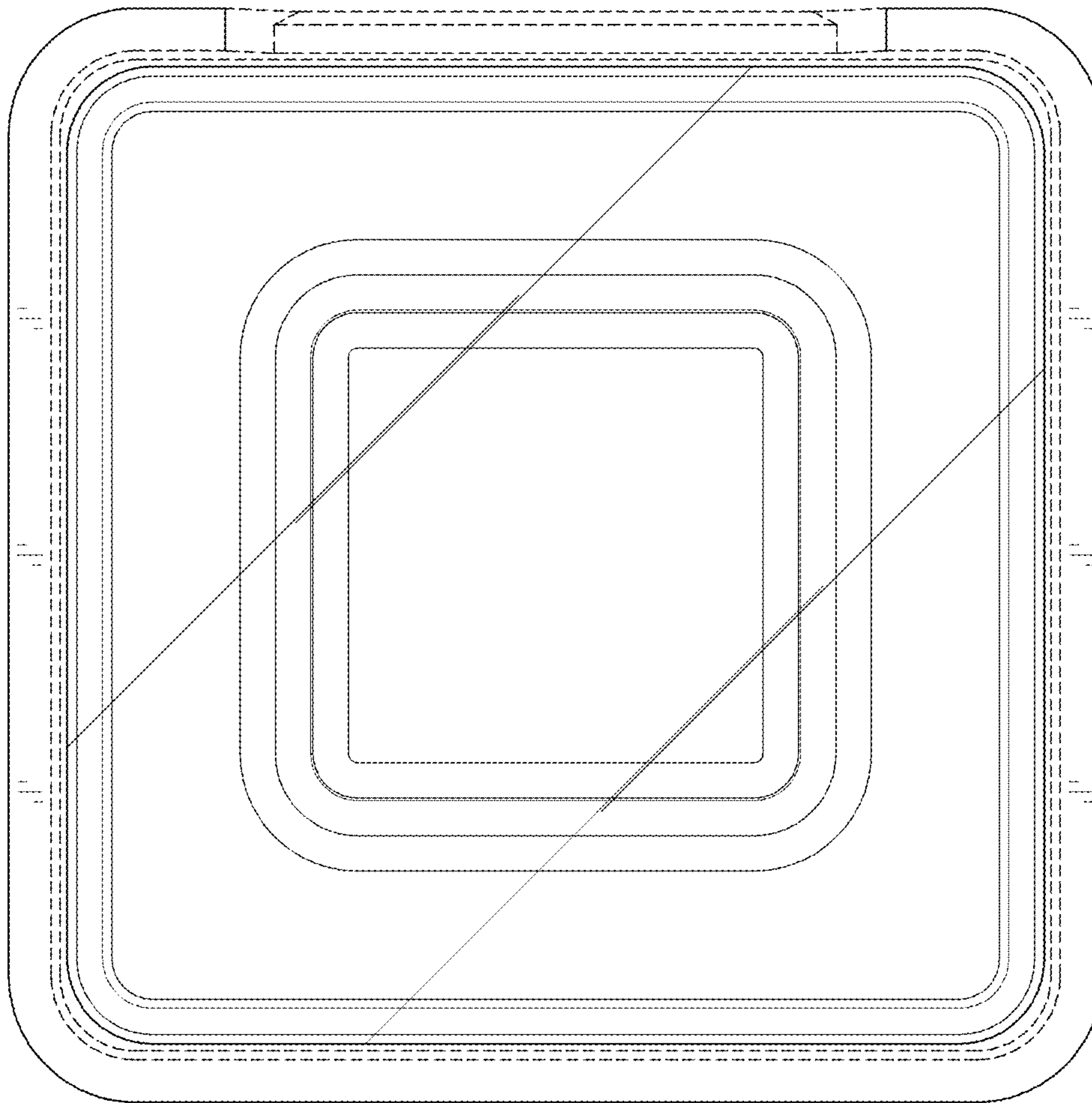


FIG. 7

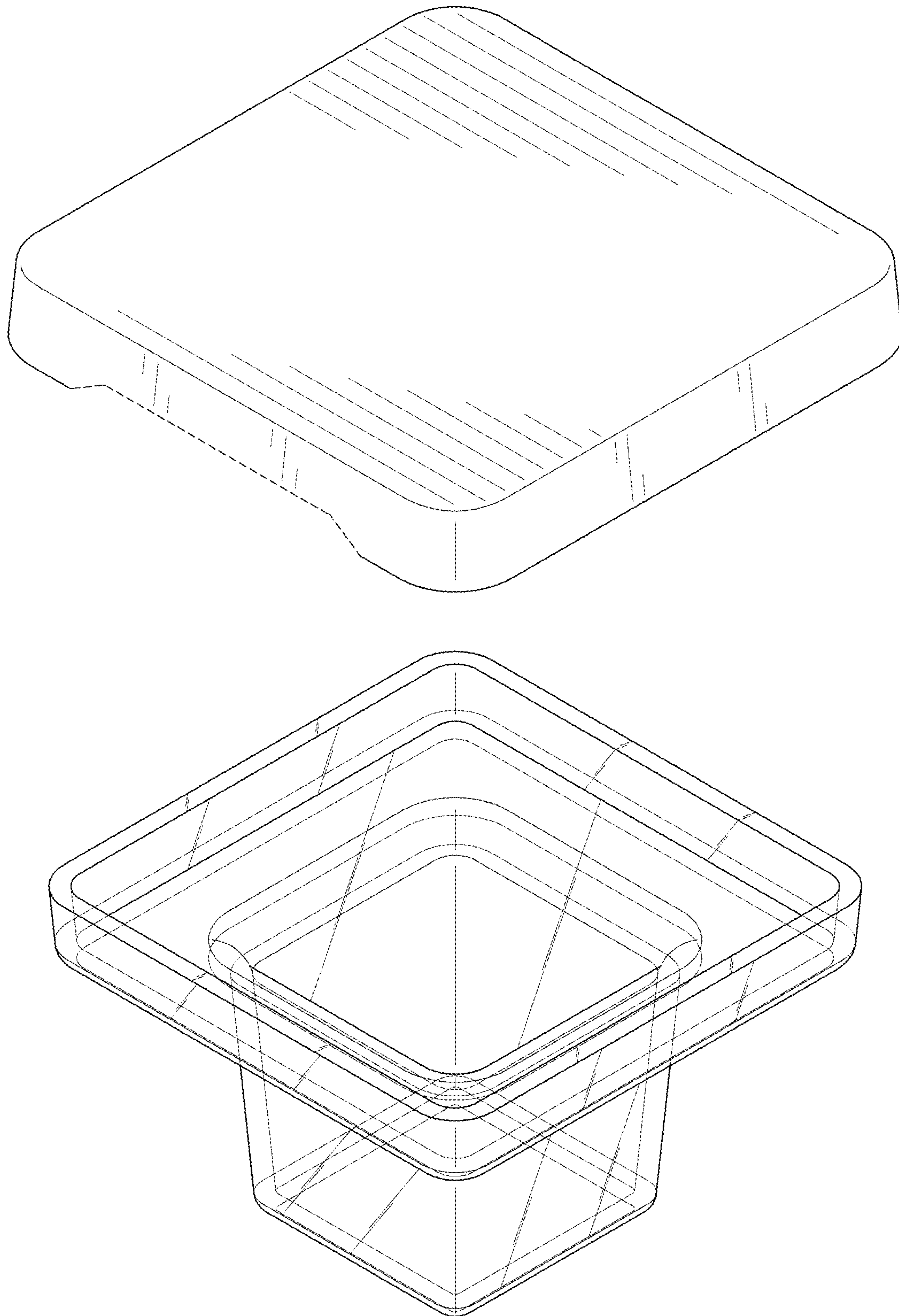


FIG. 8

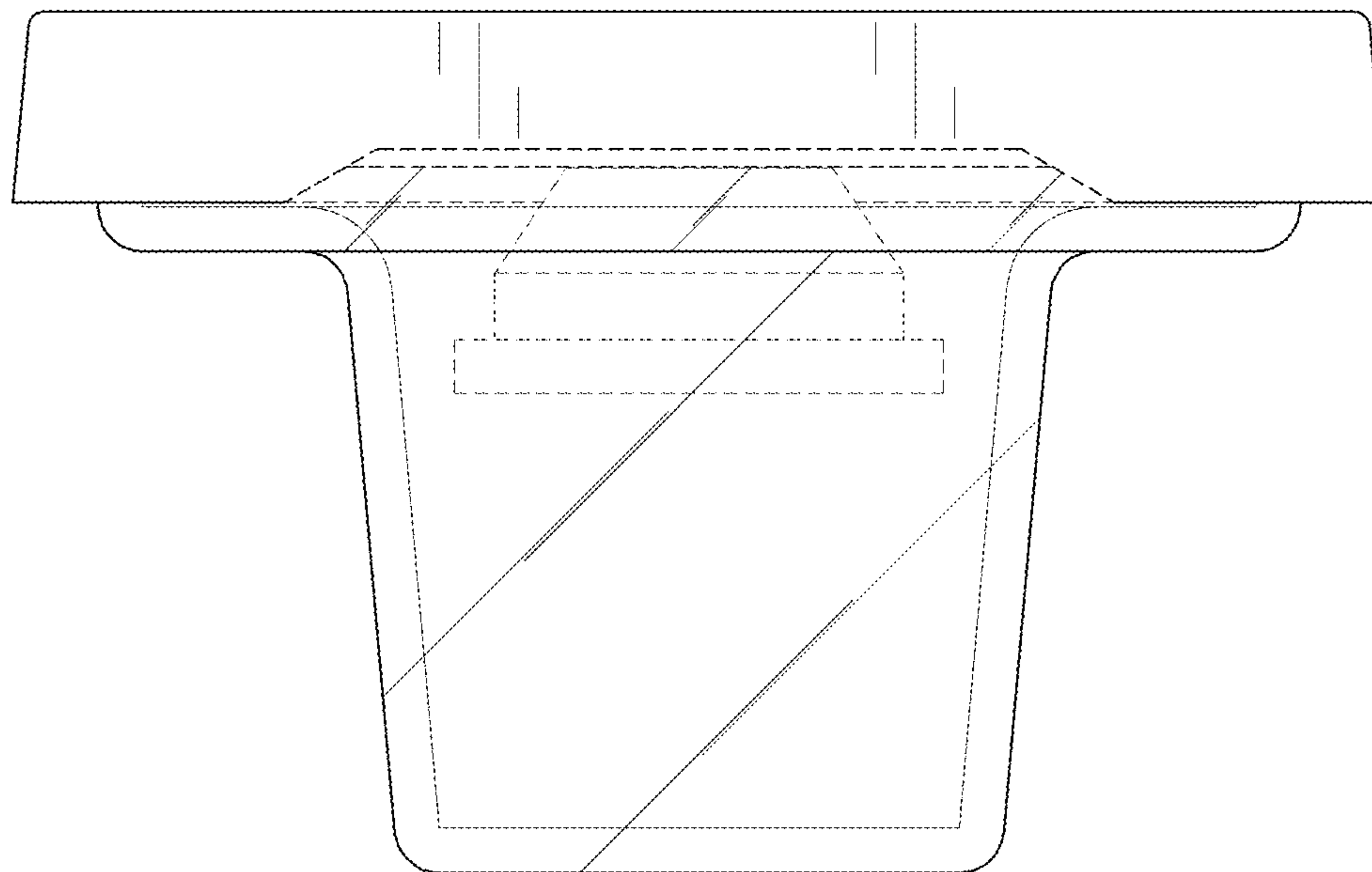


FIG. 9

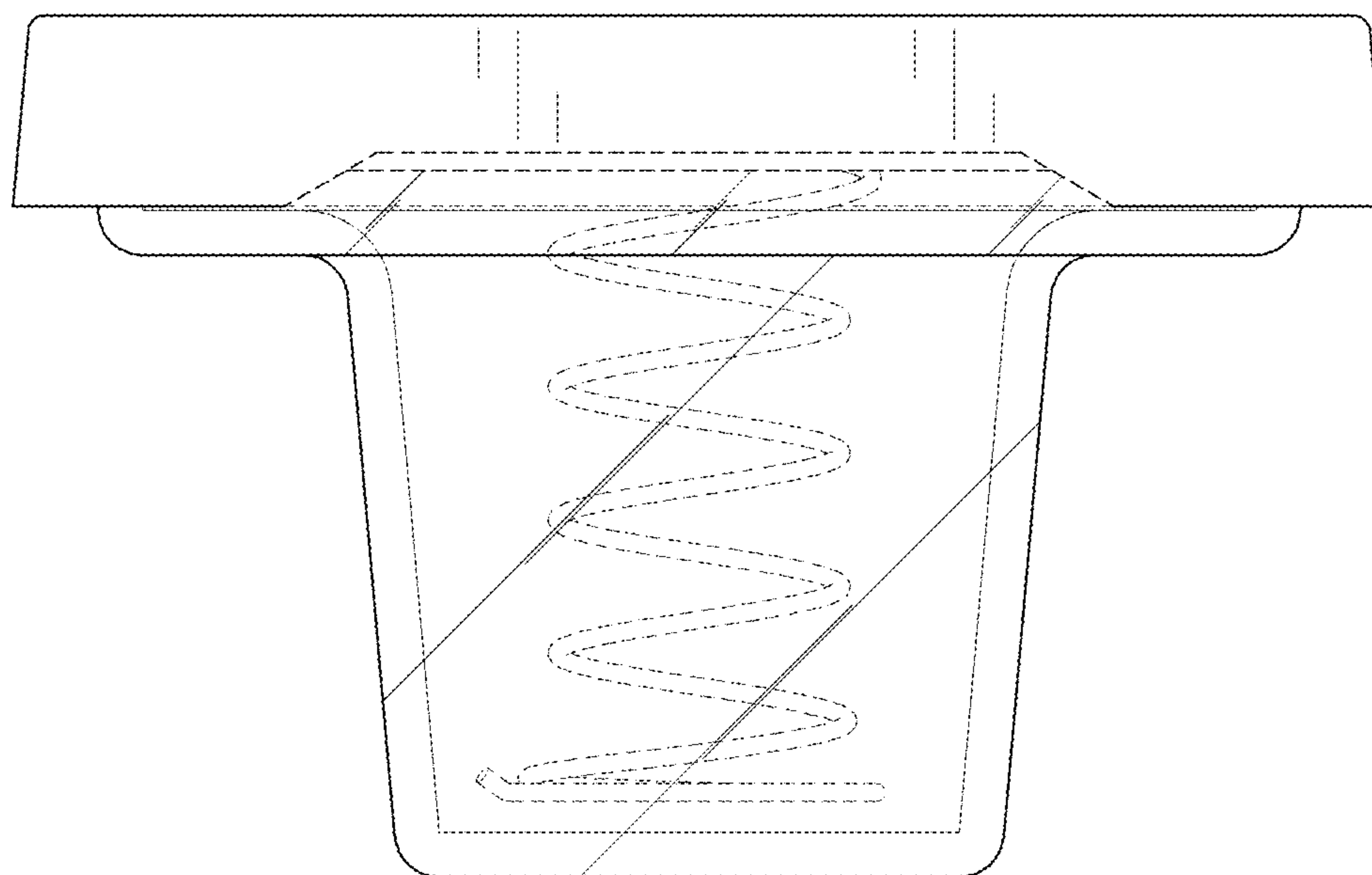


FIG. 10