



US00D916096S

(12) **United States Design Patent** (10) **Patent No.:** **US D916,096 S**
Seok et al. (45) **Date of Patent:** **** Apr. 13, 2021**

(54) **CASE FOR ELECTRONIC DEVICE**

(71) Applicant: **SAMSUNG ELECTRONICS CO., LTD.**, Suwon-si (KR)

(72) Inventors: **Tae-Won Seok**, Suwon-si (KR); **Sang Sik Park**, Suwon-si (KR)

(73) Assignee: **SAMSUNG ELECTRONICS CO., LTD.**, Gyeonggi-Do (KR)

(**) Term: **15 Years**

(21) Appl. No.: **29/713,017**

(22) Filed: **Nov. 13, 2019**

(30) **Foreign Application Priority Data**

Sep. 19, 2019 (KR) 30-2019-0044992

(51) **LOC (13) Cl.** **14-02**

(52) **U.S. Cl.**
USPC **D14/440**

(58) **Field of Classification Search**
USPC D14/440, 447, 250; 206/45.23, 320, 206/45.2; 361/679.55; 294/25; 224/218
CPC G06F 1/1628; G06F 1/1626; G06F 1/699; A47B 23/044; H04B 1/3888
See application file for complete search history.

(56) **References Cited**

U.S. PATENT DOCUMENTS

D587,896 S *	3/2009	Aipa	D3/201
D652,825 S *	1/2012	Bau	D14/238.1
D693,350 S *	11/2013	Mish	D14/440
D696,257 S *	12/2013	Ward	D14/440
D729,252 S *	5/2015	Smith	D14/440
D729,255 S *	5/2015	Kilkenny	D14/440
D733,154 S *	6/2015	Armstrong	D14/440
D763,840 S *	8/2016	Hwang	D14/250
D763,853 S *	8/2016	Pearce	D14/440
D812,620 S *	3/2018	Cheng	D14/440

D848,441 S *	5/2019	Ferren	D14/440
D850,454 S *	6/2019	Kim	D14/440
D851,649 S *	6/2019	Tan	D14/440
D863,314 S *	10/2019	Chan	D14/440
D889,451 S *	7/2020	Chiang	D14/250
D904,414 S *	12/2020	Hyun	D14/440
D908,131 S *	1/2021	McClean	D14/440

FOREIGN PATENT DOCUMENTS

CN	305267348 S	7/2019
KR	300745796 S	6/2014
WO	DM093117	6/2016
WO	DM097732	5/2017
WO	DM095498	12/2017

* cited by examiner

Primary Examiner — Cynthia R Underwood

(74) *Attorney, Agent, or Firm* — Cantor Colburn LLP

(57) **CLAIM**

The ornamental design for a case for electronic device, as shown and described.

DESCRIPTION

FIG. 1 is a front perspective view of a case for electronic device, showing our new design;
FIG. 2 is a front view thereof;
FIG. 3 is a rear view thereof;
FIG. 4 is a left-side view thereof;
FIG. 5 is a right-side view thereof;
FIG. 6 is a top view thereof;
FIG. 7 is a bottom view thereof;
FIG. 8 is a rear perspective view thereof; and,
FIG. 9 is an exploded front perspective view thereof in an environment of use.

The broken lines illustrating portions of the case for electronic device form no part of the claimed design. The broken lines illustrating an electronic device in FIG. 9 form no part of the claimed design.

1 Claim, 9 Drawing Sheets

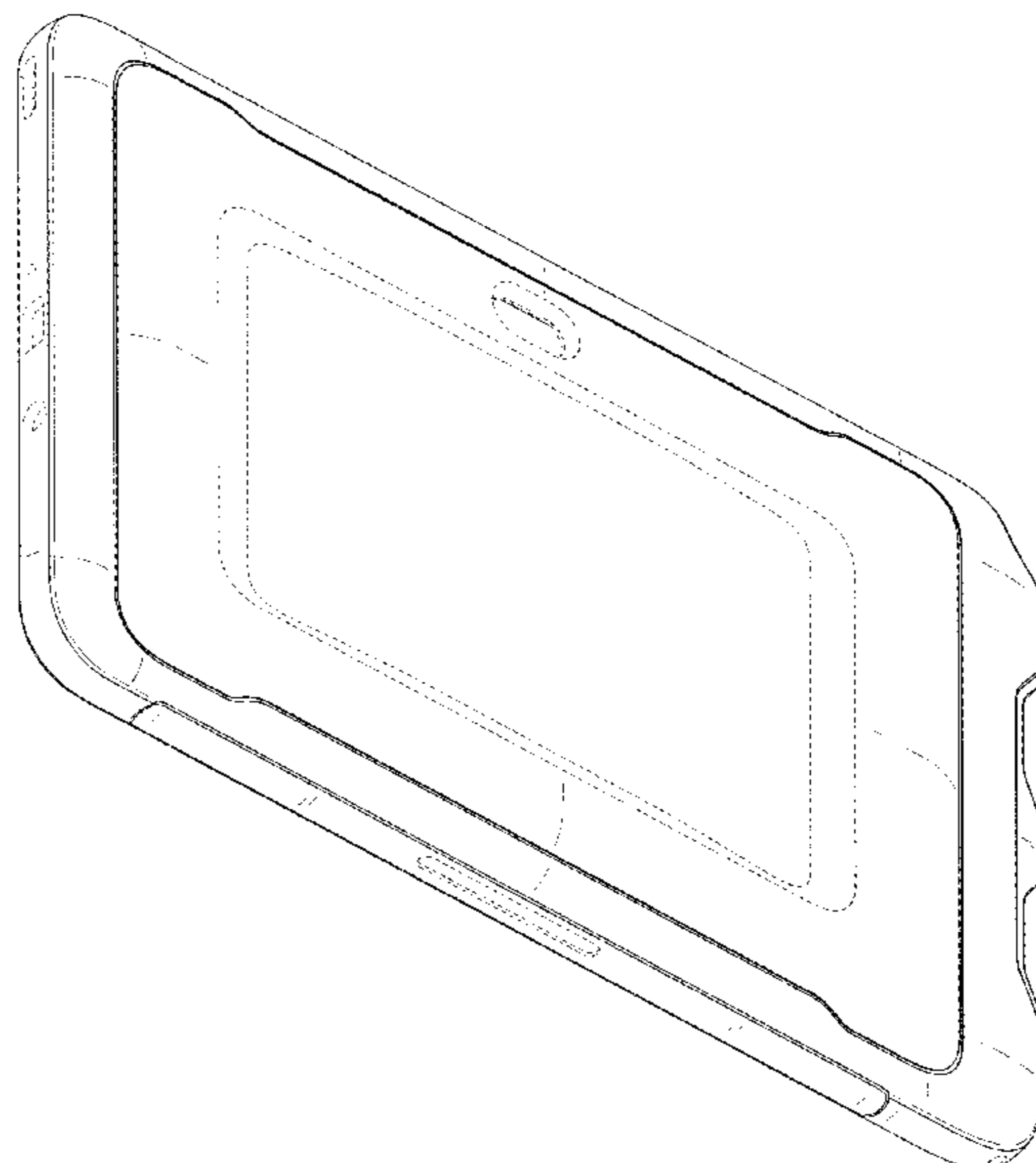


FIG. 1

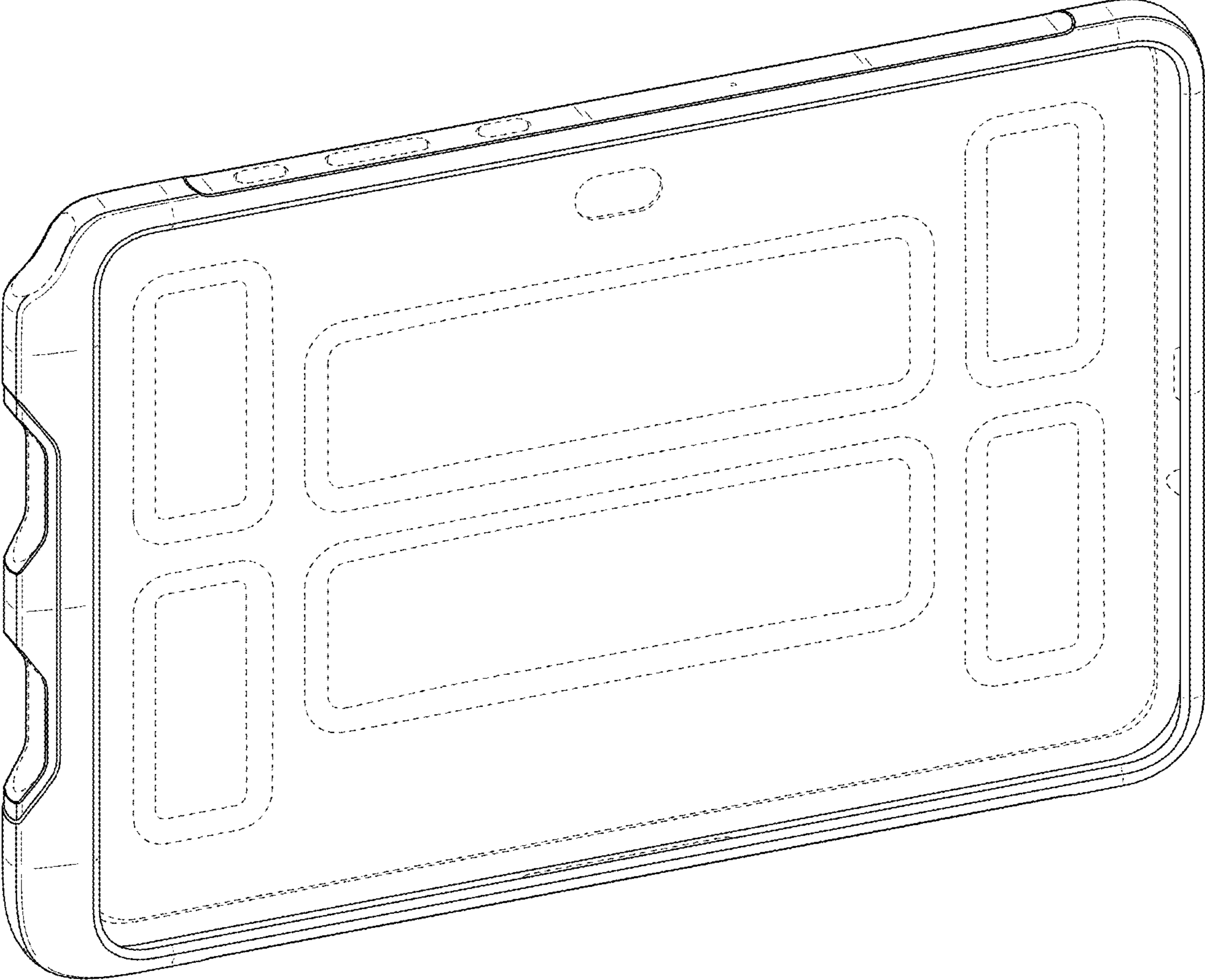


FIG. 2

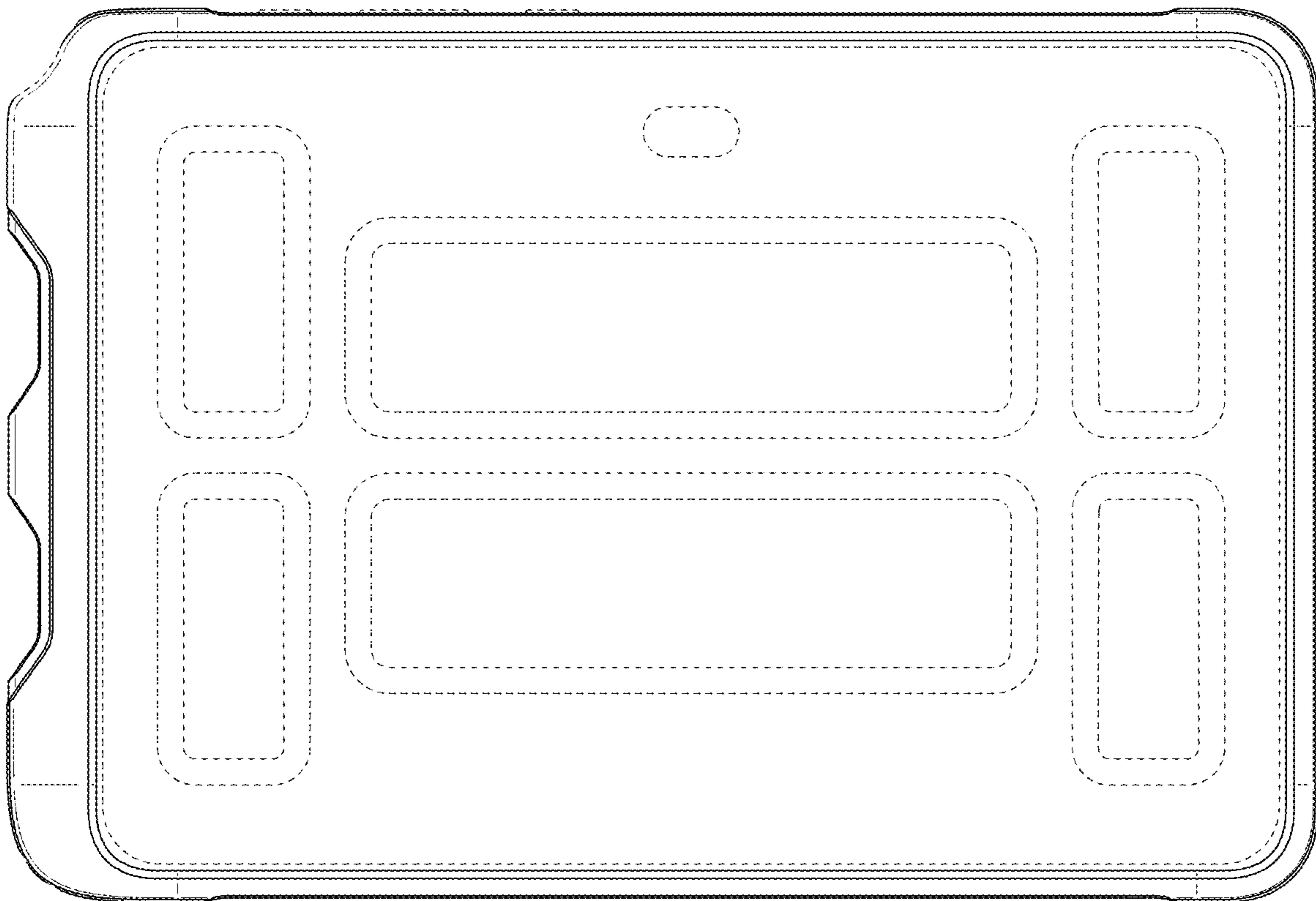


FIG. 3

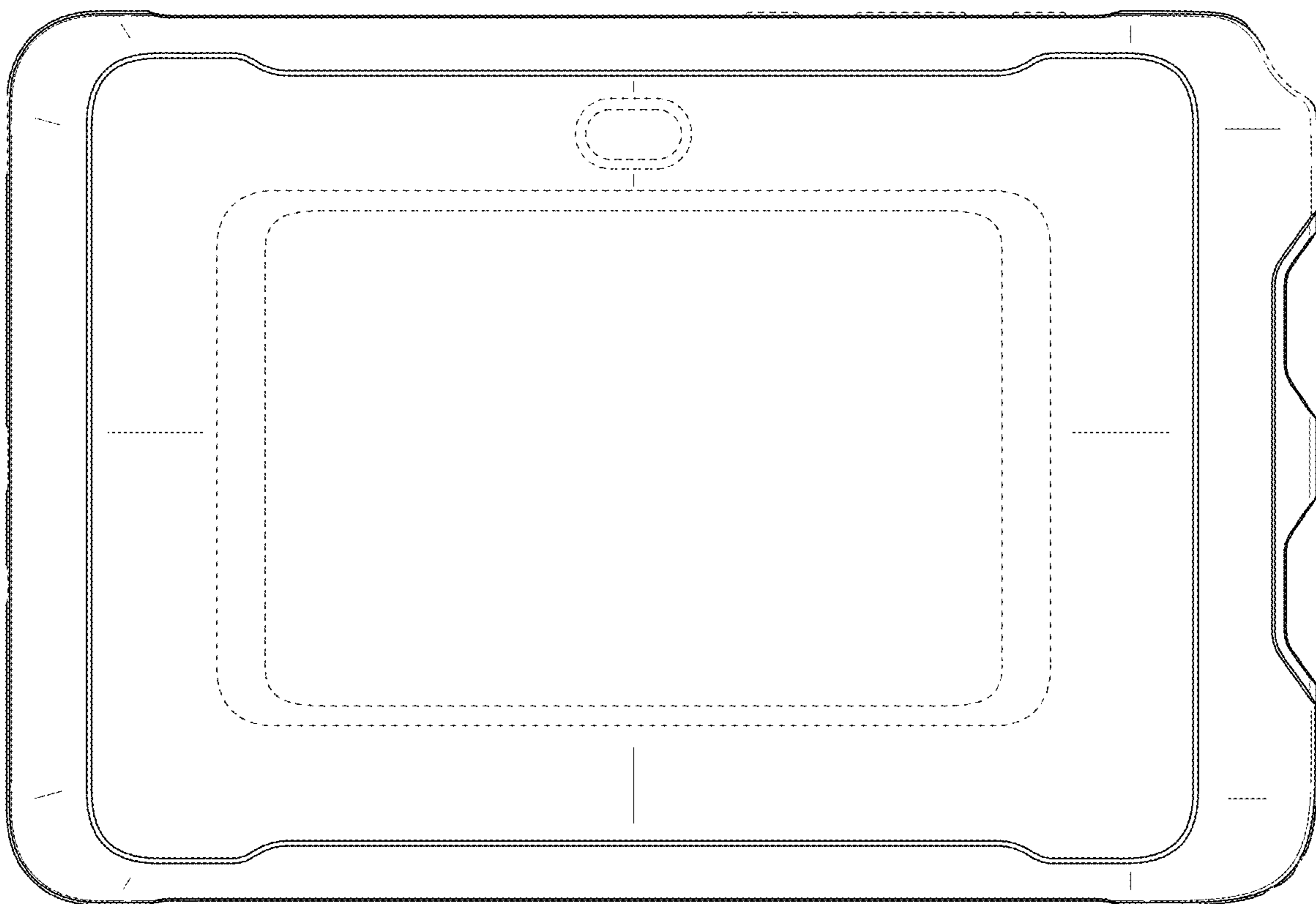


FIG. 4

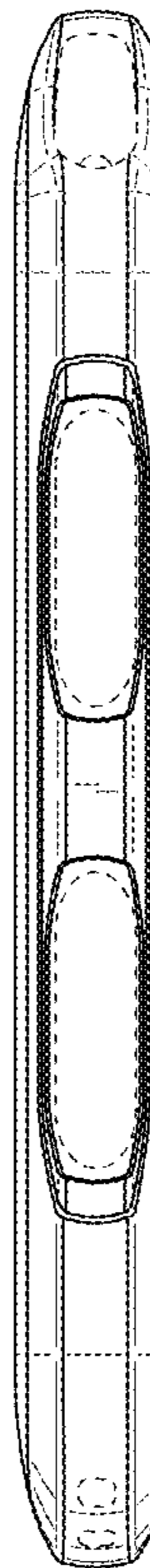


FIG. 5

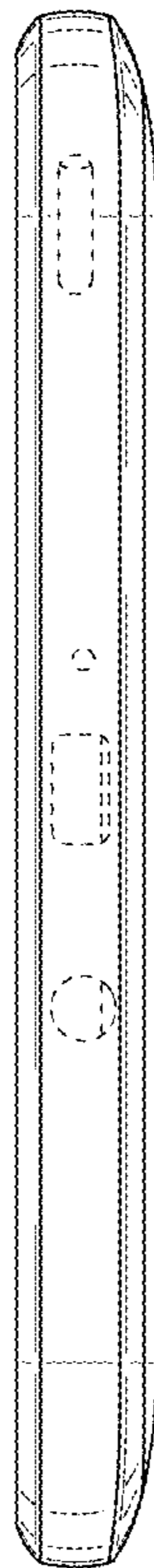


FIG. 6

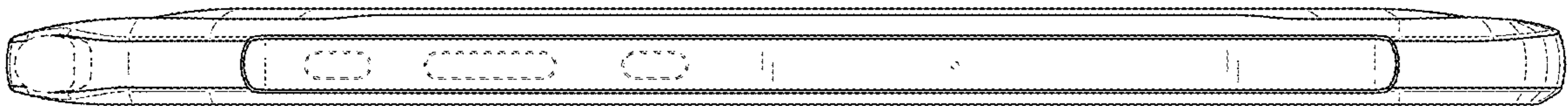


FIG. 7

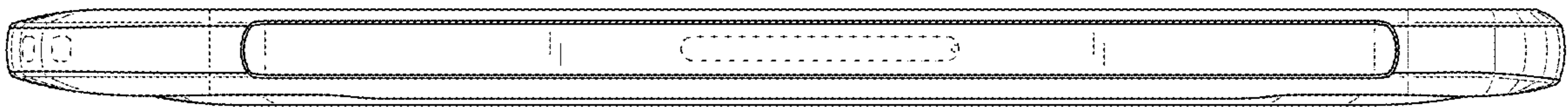


FIG. 8

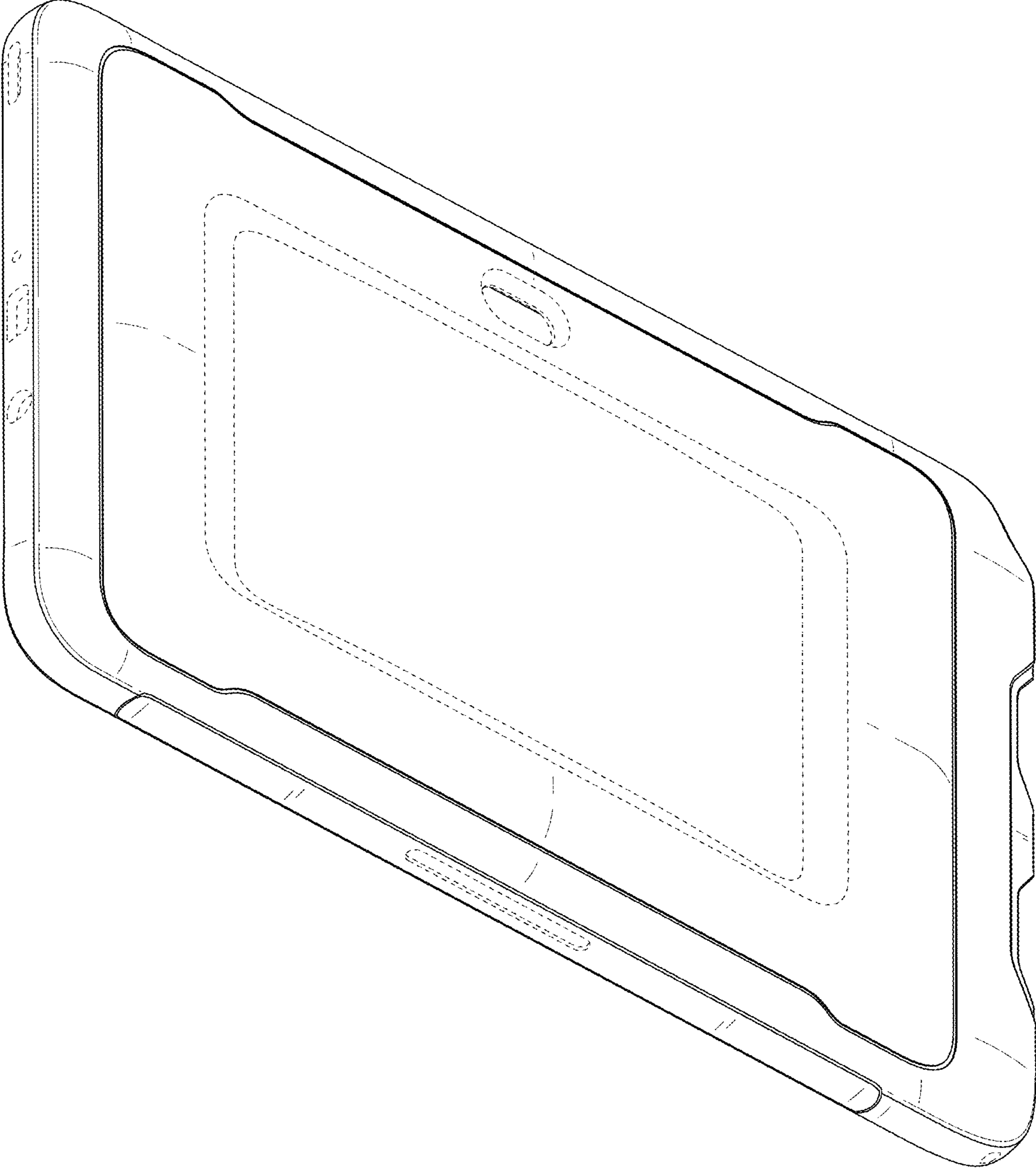


FIG. 9

