



US00D916094S

(12) **United States Design Patent**  
**Liao**

(10) **Patent No.:** **US D916,094 S**  
(45) **Date of Patent:** **\*\* Apr. 13, 2021**

(54) **MULTI-FUNCTIONAL ADAPTOR**  
(71) Applicant: **Guangdong Gopod Group Co., Ltd.,**  
Guangdong (CN)  
(72) Inventor: **Zhuowen Liao,** Guangdong (CN)  
(73) Assignee: **GUANGDONG GOPOD GROUP**  
**CO., LTD.,** Guangdong (CN)

D828,840 S \* 9/2018 Zhang ..... D14/433  
D828,841 S \* 9/2018 Zhang ..... D14/433  
D847,139 S \* 4/2019 Wang ..... D14/433  
D881,889 S \* 4/2020 Wang ..... D14/433  
D881,890 S \* 4/2020 Wen ..... D14/433  
D890,151 S \* 7/2020 Gao ..... D14/240  
D892,048 S \* 8/2020 Zhuang ..... D13/110  
D892,801 S \* 8/2020 Liu ..... D14/434  
D895,625 S \* 9/2020 Turksu ..... D14/433  
D899,377 S \* 10/2020 Akana ..... D13/147  
D904,417 S \* 12/2020 Cueto ..... D14/480.1

(\*\*) Term: **15 Years**

\* cited by examiner

(21) Appl. No.: **29/718,443**

*Primary Examiner* — Austin Murphy

(22) Filed: **Dec. 24, 2019**

(74) *Attorney, Agent, or Firm* — Cantor Colburn LLP

(30) **Foreign Application Priority Data**

(57) **CLAIM**

Nov. 7, 2019 (CN) ..... 201930611271.4

The ornamental designs for a multi-functional adaptor, as shown and described.

(51) **LOC (13) Cl.** ..... **14-02**

(52) **U.S. Cl.**  
USPC ..... **D14/433**

(58) **Field of Classification Search**  
USPC ..... D18/4.4, 4.5, 4.6, 12, 12.1, 12.3;  
D14/383, 384, 385, 386, 378  
CPC ..... G06K 19/07749; G06K 19/0723; G06K  
19/041; G06K 19/07758; G06K 19/0775;  
G06K 19/07783; G06K 19/07794; G06K  
19/06046; G06K 19/07722; G06K  
19/07773; G06K 19/07779; G06K  
19/07784; G06K 19/07786; G06K  
19/0709

See application file for complete search history.

**DESCRIPTION**

FIG. 1 is a first perspective view of a multi-functional adaptor;  
FIG. 2 is a second perspective view of the multi-functional adaptor;  
FIG. 3 is a front view the multi-functional adaptor;  
FIG. 4 is rear view the multi-functional adaptor;  
FIG. 5 is a left side view the multi-functional adaptor;  
FIG. 6 is a right side view the multi-functional adaptor;  
FIG. 7 is a top view the multi-functional adaptor;  
FIG. 8 is a bottom view the multi-functional adaptor; and,  
FIG. 9 is a use state reference view of the multi-functional adaptor.

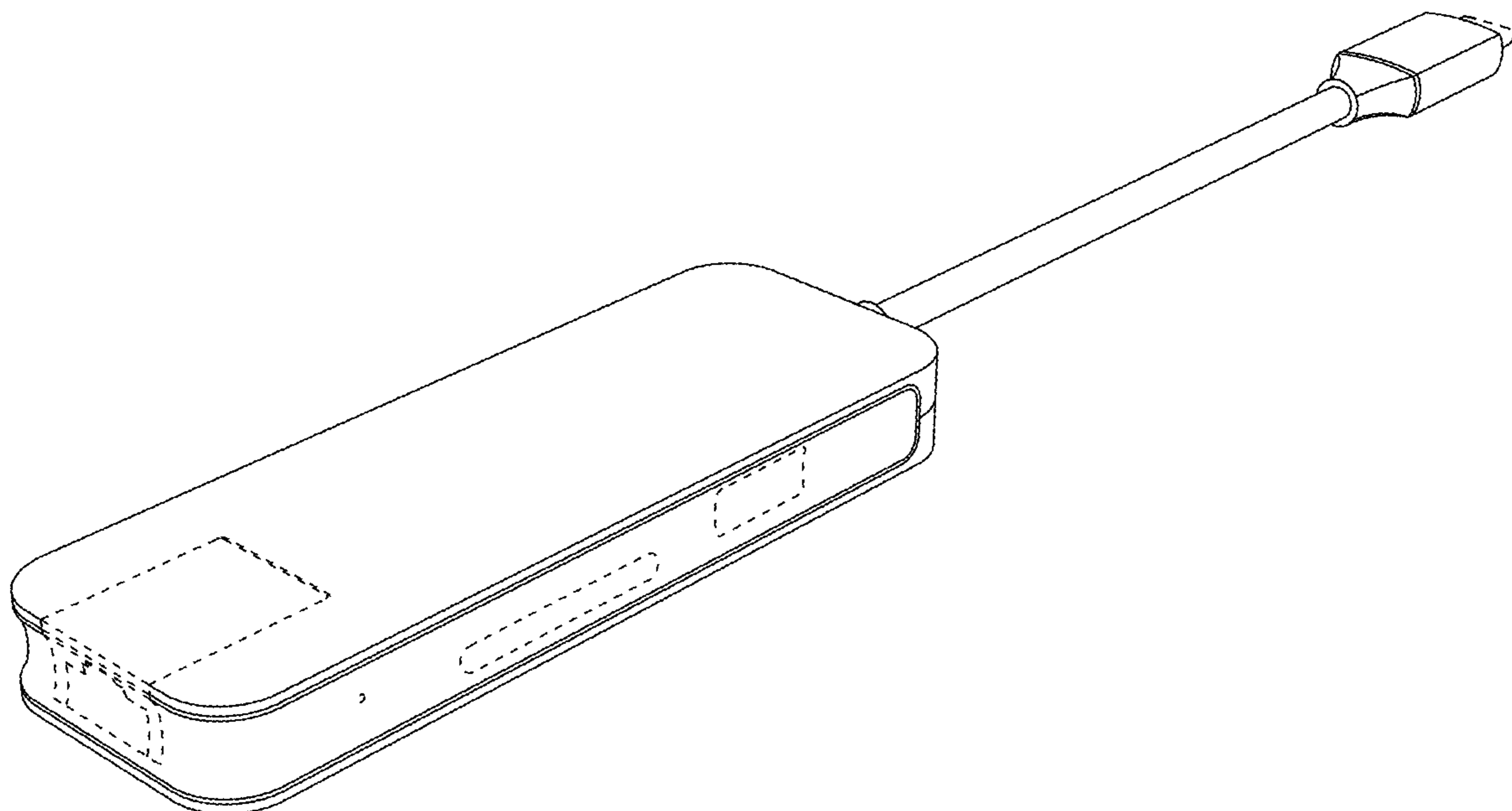
The broken lines depict portions of the multi-functional adaptor that form no part of the claimed design.

(56) **References Cited**

**U.S. PATENT DOCUMENTS**

D798,811 S \* 10/2017 Liao ..... D13/110  
D828,839 S \* 9/2018 Zhang ..... D14/433

**1 Claim, 9 Drawing Sheets**



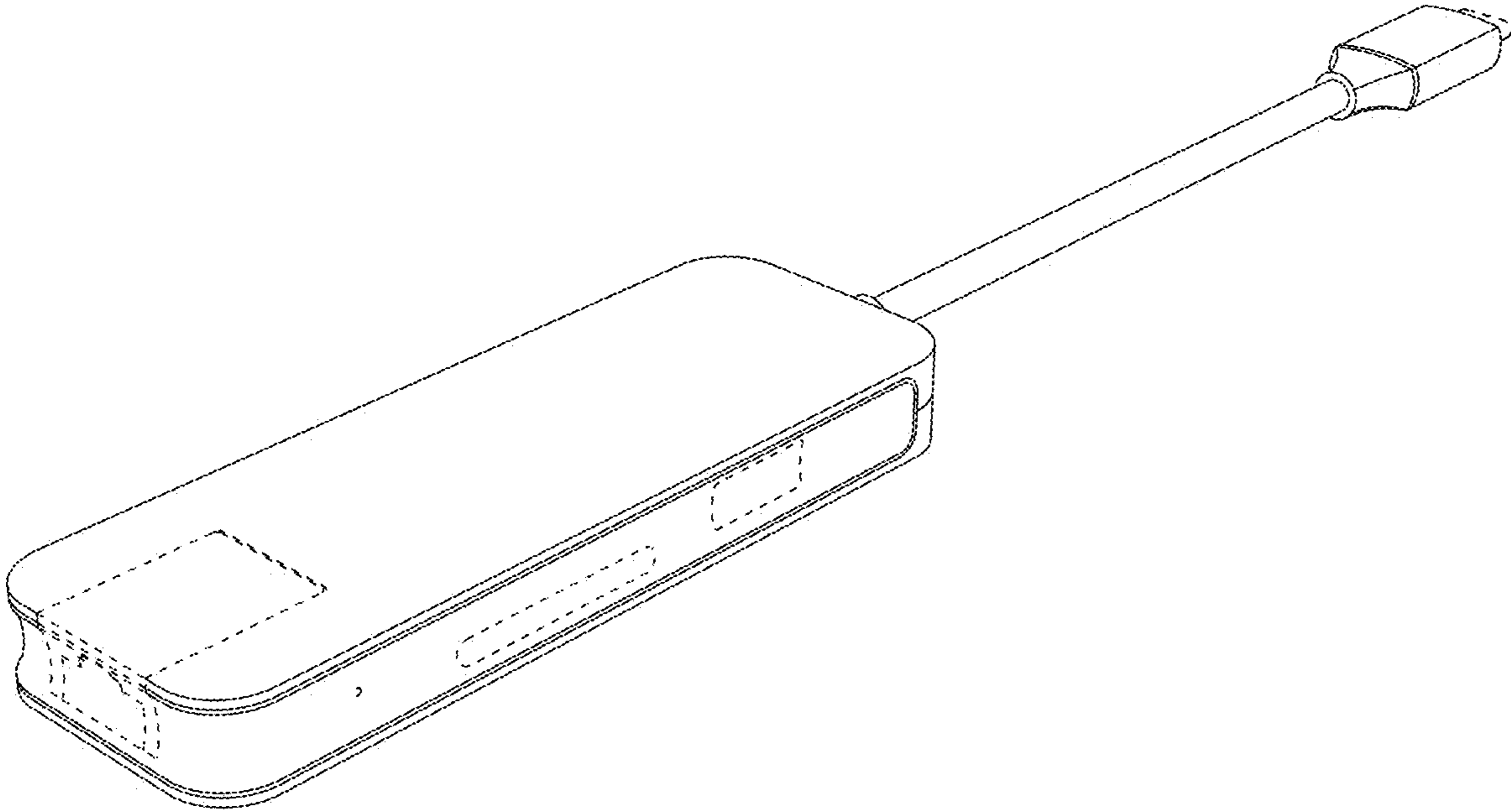


FIG.1

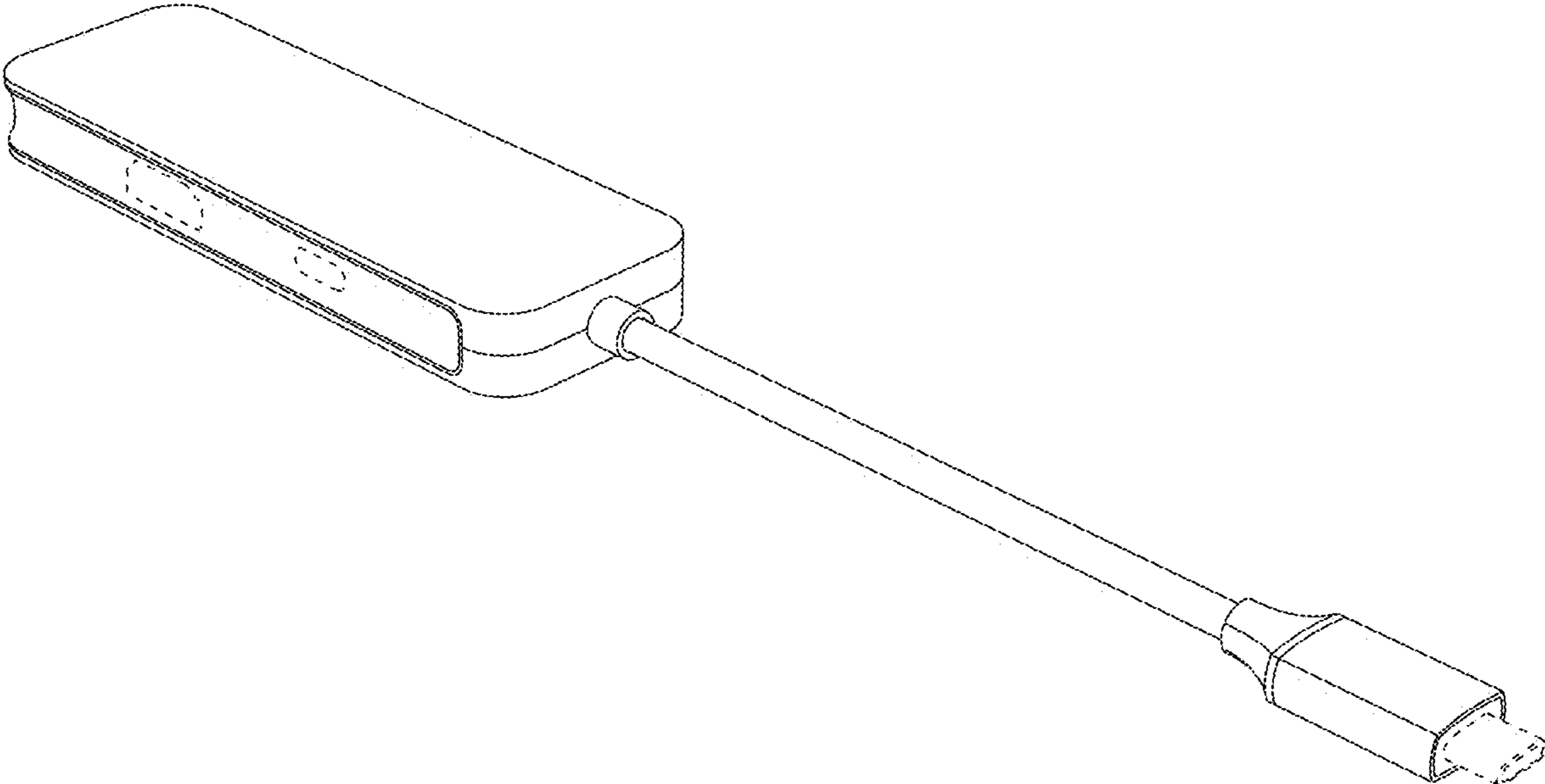


FIG.2

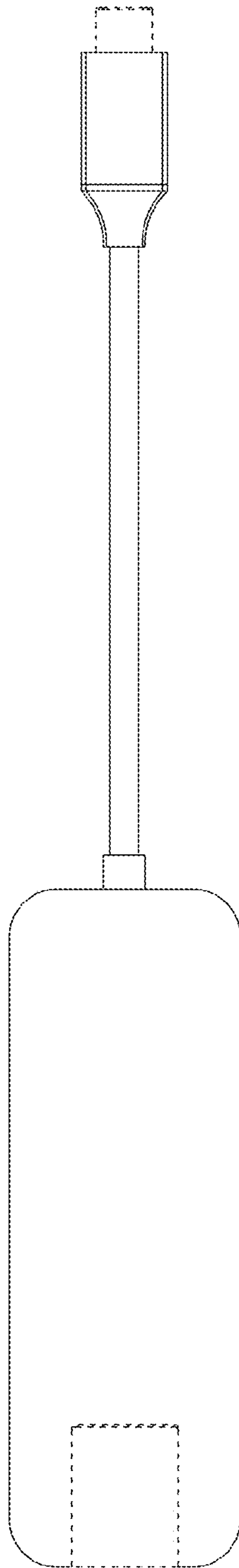


FIG.3

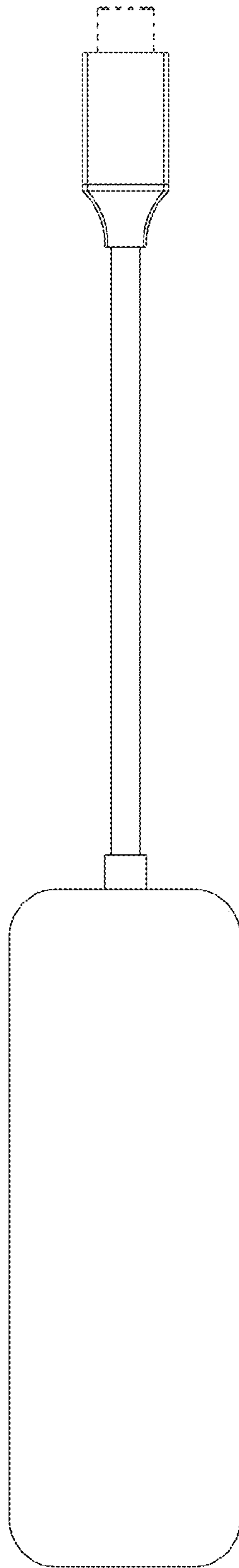


FIG.4

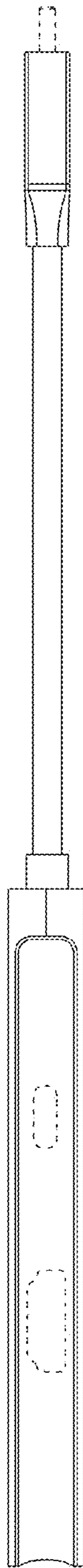


FIG.5

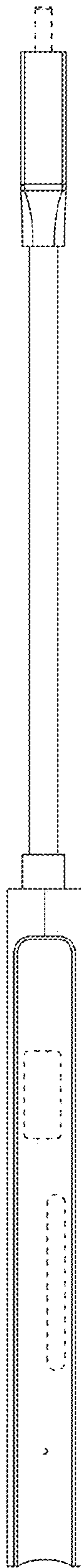


FIG.6

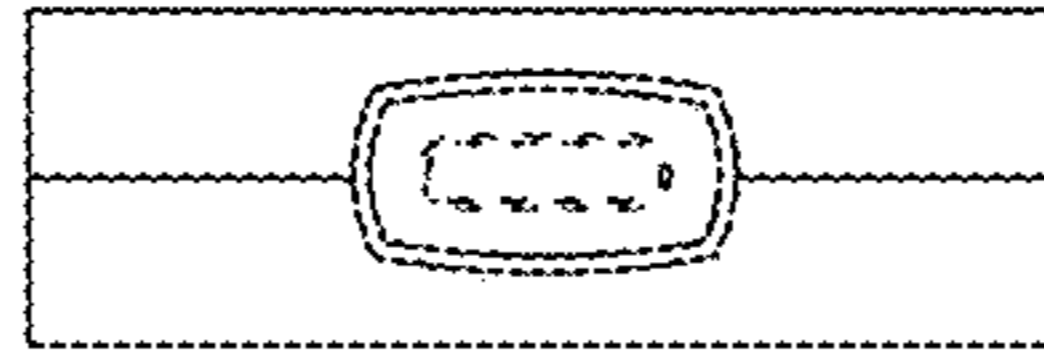


FIG. 7



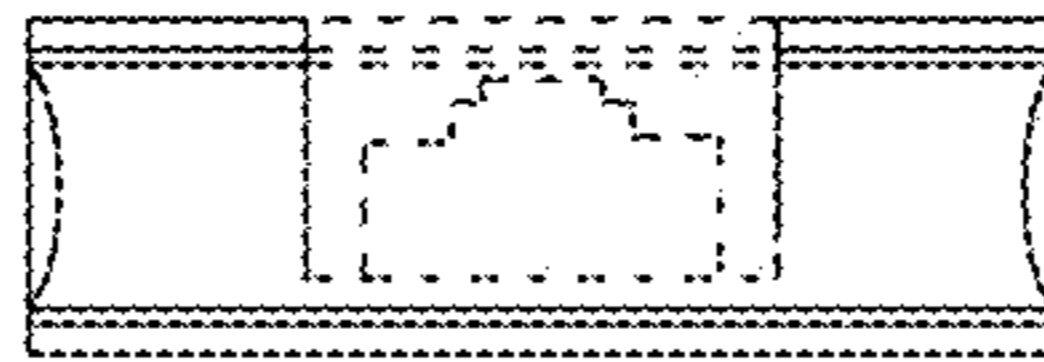


FIG.8

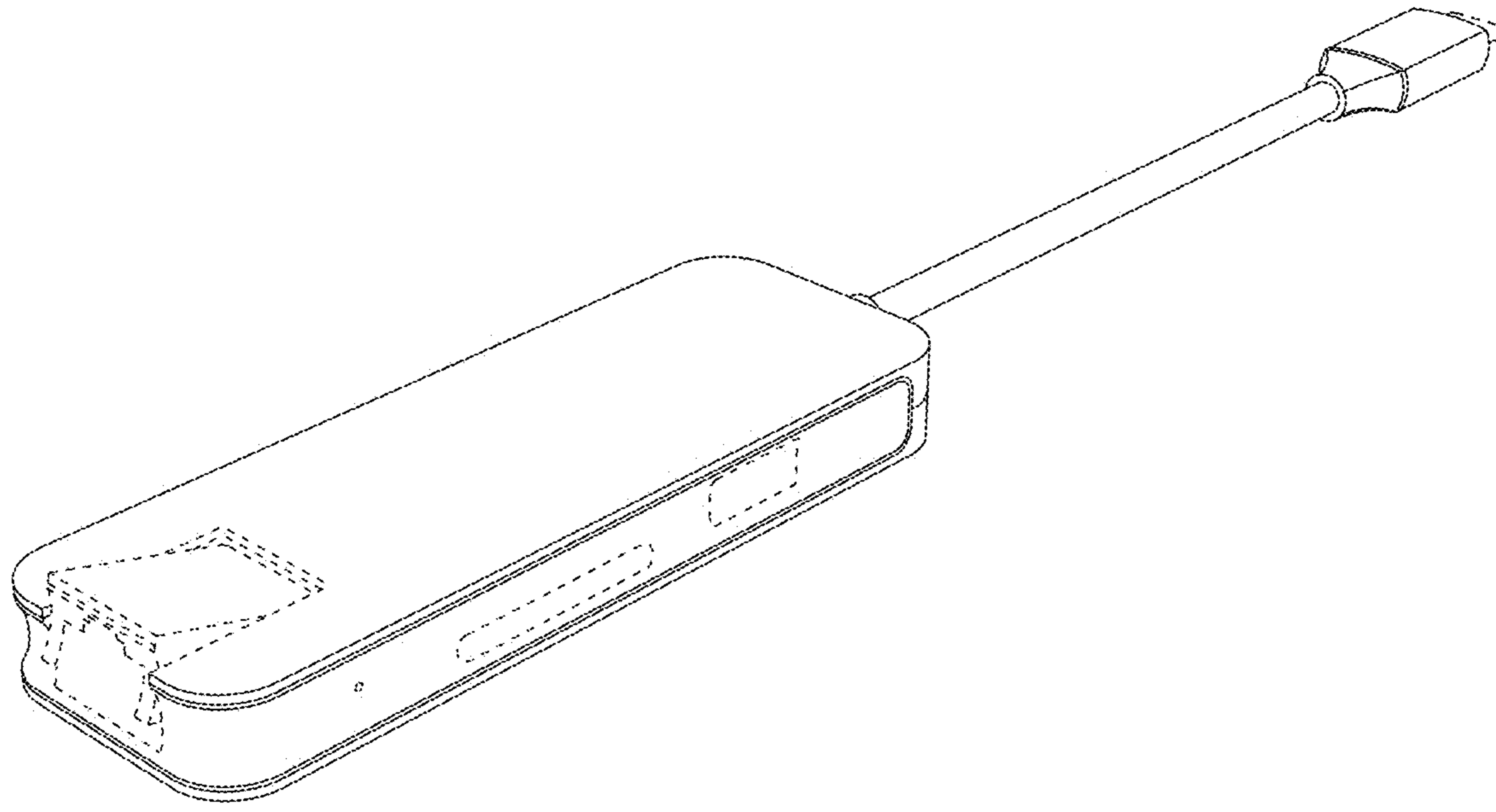


FIG.9