

US00D916093S

(12) **United States Design Patent**
Liao

(10) **Patent No.:** **US D916,093 S**

(45) **Date of Patent:** **** Apr. 13, 2021**

- (54) **MULTI-FUNCTIONAL ADAPTOR**
- (71) Applicant: **Guangdong Gopod Group Co., Ltd.**,
Guangdong (CN)
- (72) Inventor: **Zhuowen Liao**, Guangdong (CN)
- (73) Assignee: **GUANGDONG GOPOD GROUP**
CO., LTD., Guangdong (CN)

D828,840 S *	9/2018	Zhang	D14/433
D828,841 S *	9/2018	Zhang	D14/433
D847,139 S *	4/2019	Wang	D14/433
D881,889 S *	4/2020	Wang	D14/433
D881,890 S *	4/2020	Wen	D14/433
D890,151 S *	7/2020	Gao	D14/240
D892,048 S *	8/2020	Zhuang	D13/110
D892,801 S *	8/2020	Liu	D14/434
D895,625 S *	9/2020	Turksu	D14/433
D899,377 S *	10/2020	Akana	D13/147
D904,417 S *	12/2020	Cueto	D14/480.1

- (**) Term: **15 Years**
- (21) Appl. No.: **29/718,442**
- (22) Filed: **Dec. 24, 2019**

* cited by examiner

Primary Examiner — Austin Murphy
(74) *Attorney, Agent, or Firm* — Cantor Colburn LLP

(30) **Foreign Application Priority Data**

Nov. 7, 2019 (CN) 201930611082.7

- (51) **LOC (13) Cl.** **14-02**
- (52) **U.S. Cl.**
USPC **D14/433**

(57) **CLAIM**

The ornamental designs for a multi-functional adaptor, as shown and described.

- (58) **Field of Classification Search**
USPC D18/4.4, 4.5, 4.6, 12, 12.1, 12.3;
D14/383, 384, 385, 386, 378
CPC G06K 19/07749; G06K 19/0723; G06K
19/041; G06K 19/07758; G06K 19/0775;
G06K 19/07783; G06K 19/07794; G06K
19/06046; G06K 19/07722; G06K
19/07773; G06K 19/07779; G06K
19/07784; G06K 19/07786; G06K
19/0709

DESCRIPTION

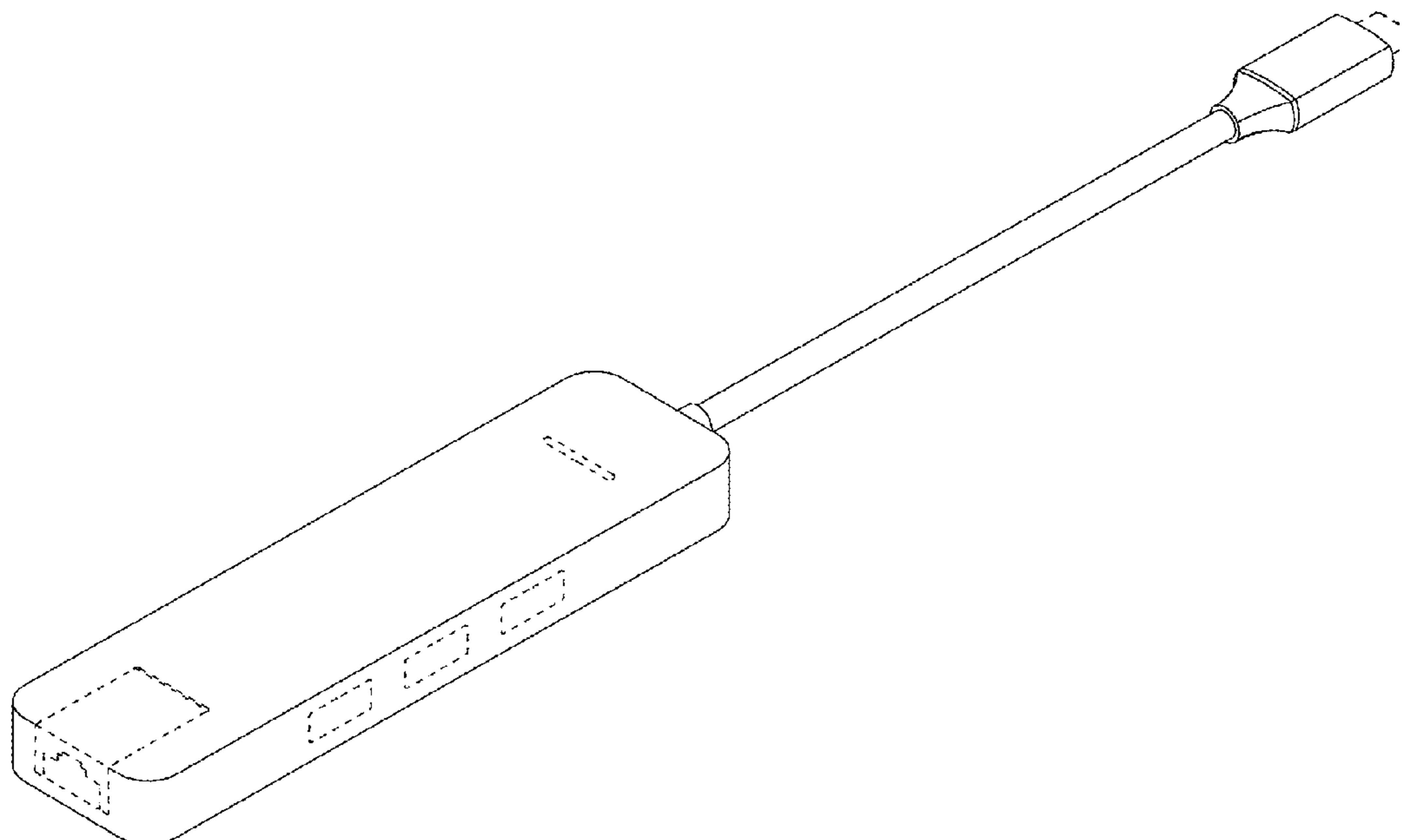
FIG. 1 is a first perspective view of a multi-functional adaptor;
 FIG. 2 is a second perspective view of the multi-functional adaptor;
 FIG. 3 is a front view the multi-functional adaptor;
 FIG. 4 is rear view the multi-functional adaptor;
 FIG. 5 is a left side view the multi-functional adaptor;
 FIG. 6 is a right side view the multi-functional adaptor;
 FIG. 7 is a top view the multi-functional adaptor;
 FIG. 8 is a bottom view the multi-functional adaptor; and,
 FIG. 9 is a use state reference view of the multi-functional adaptor.
 The broken lines depict portions of the multi-functional adaptor that form no part of the claimed design.

See application file for complete search history.

(56) **References Cited**
U.S. PATENT DOCUMENTS

- D798,811 S * 10/2017 Liao D13/110
- D828,839 S * 9/2018 Zhang D14/433

1 Claim, 9 Drawing Sheets



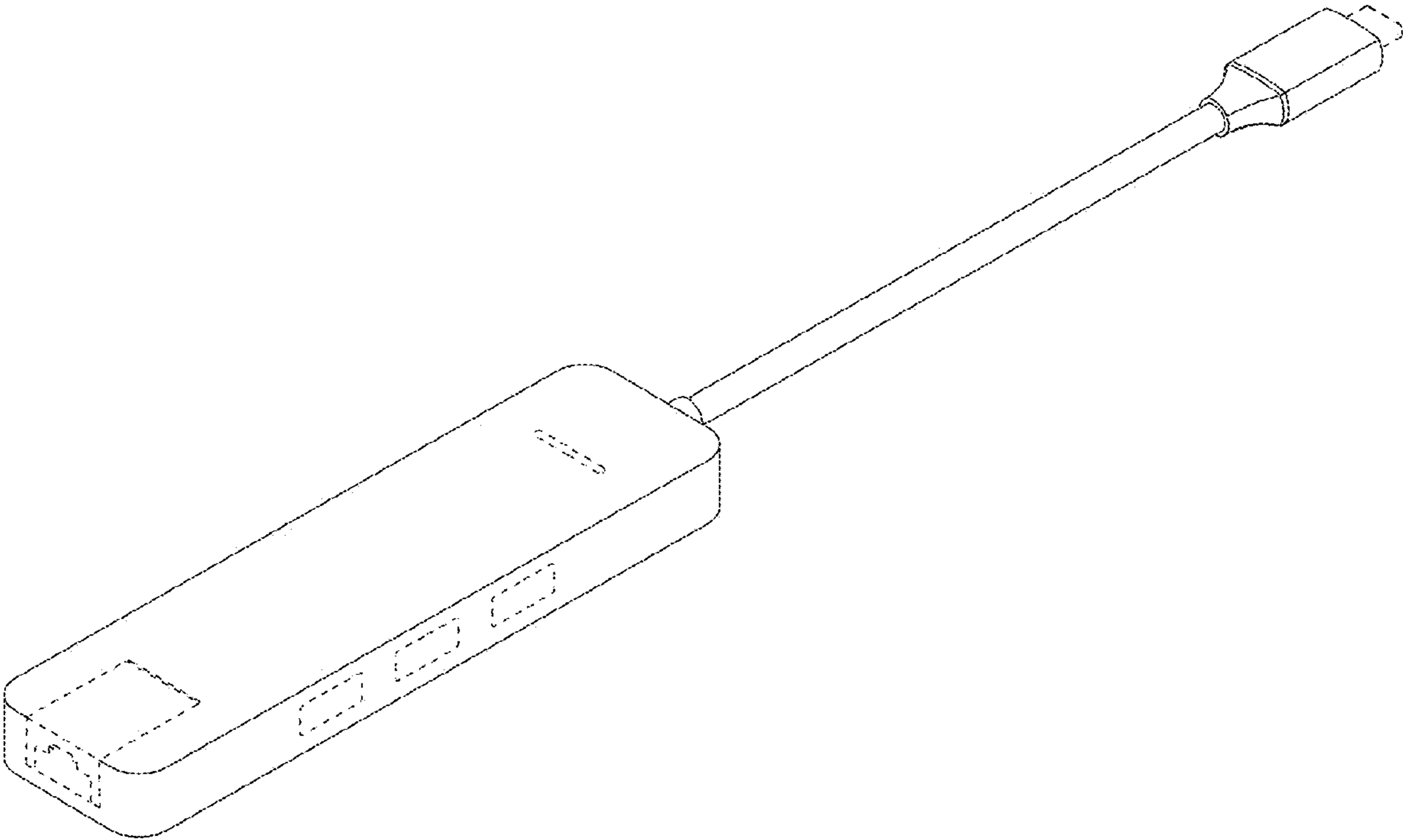


FIG. 1

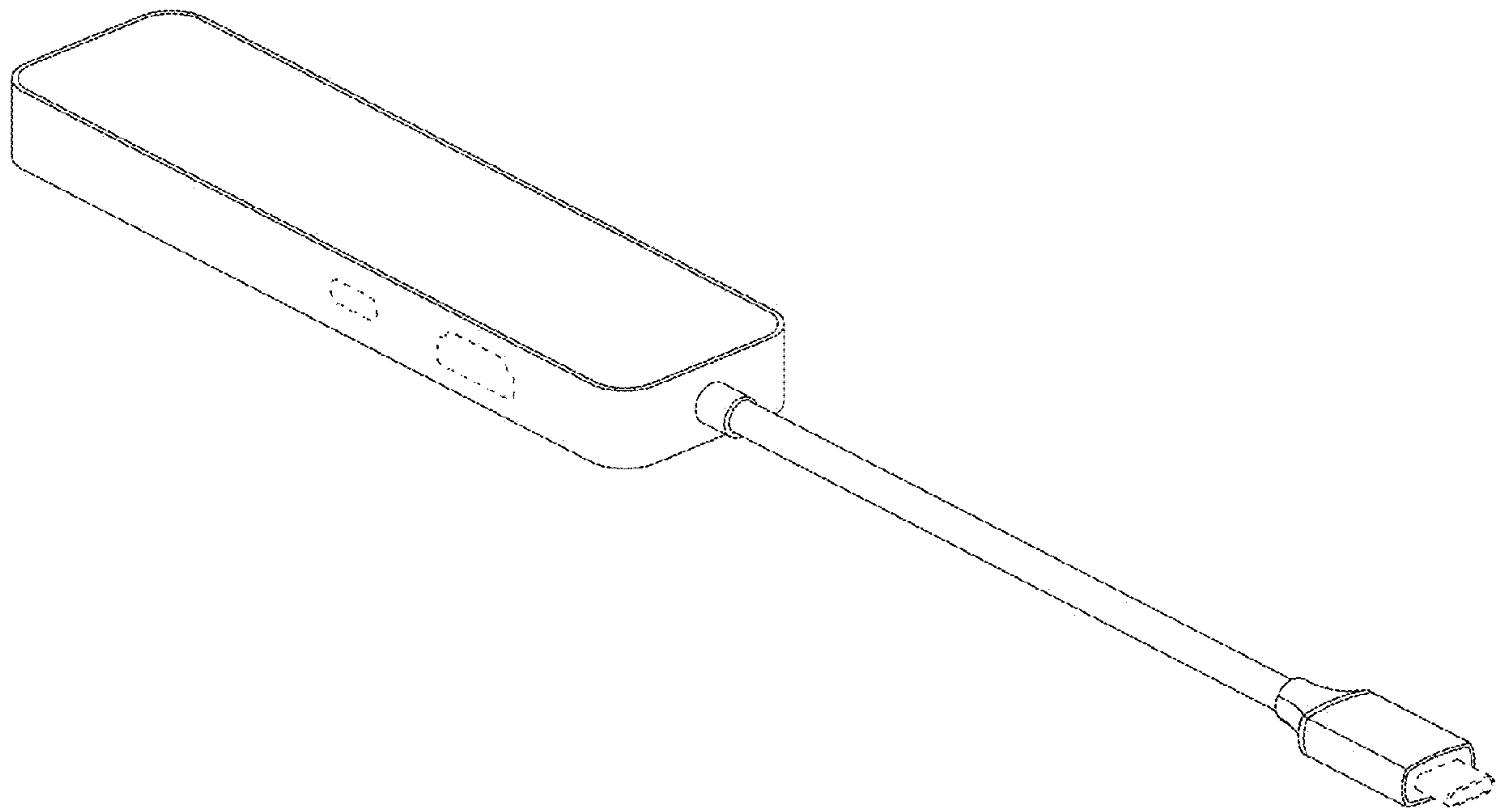


FIG. 2

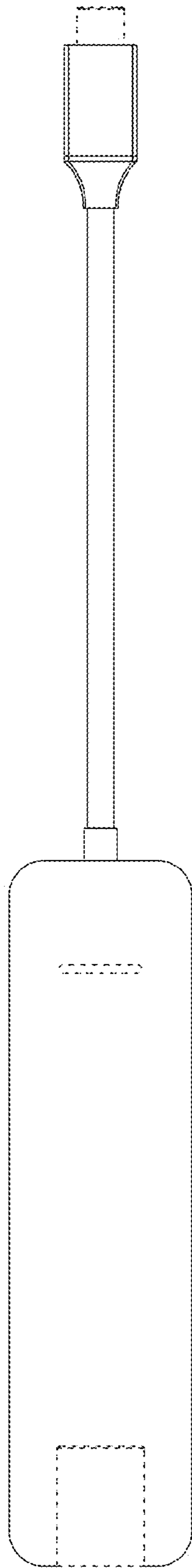


FIG. 3

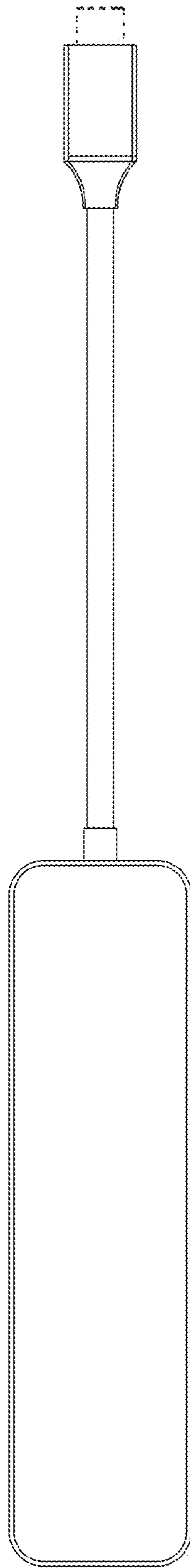


FIG. 4

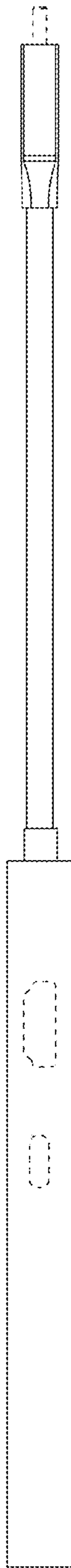


FIG. 5

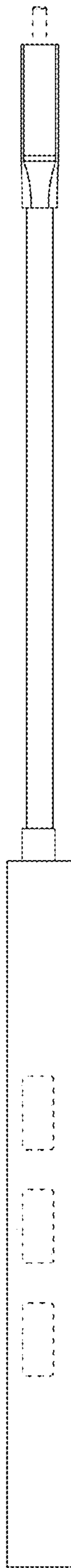


FIG. 6

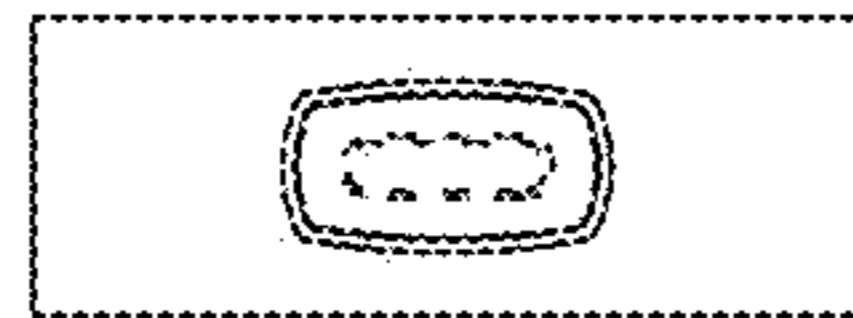


FIG. 7

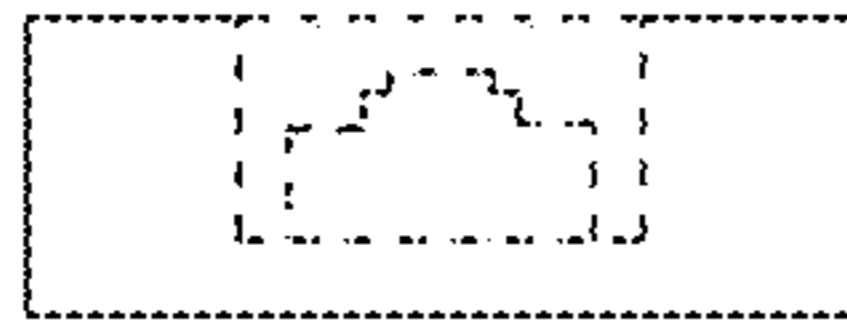


FIG. 8

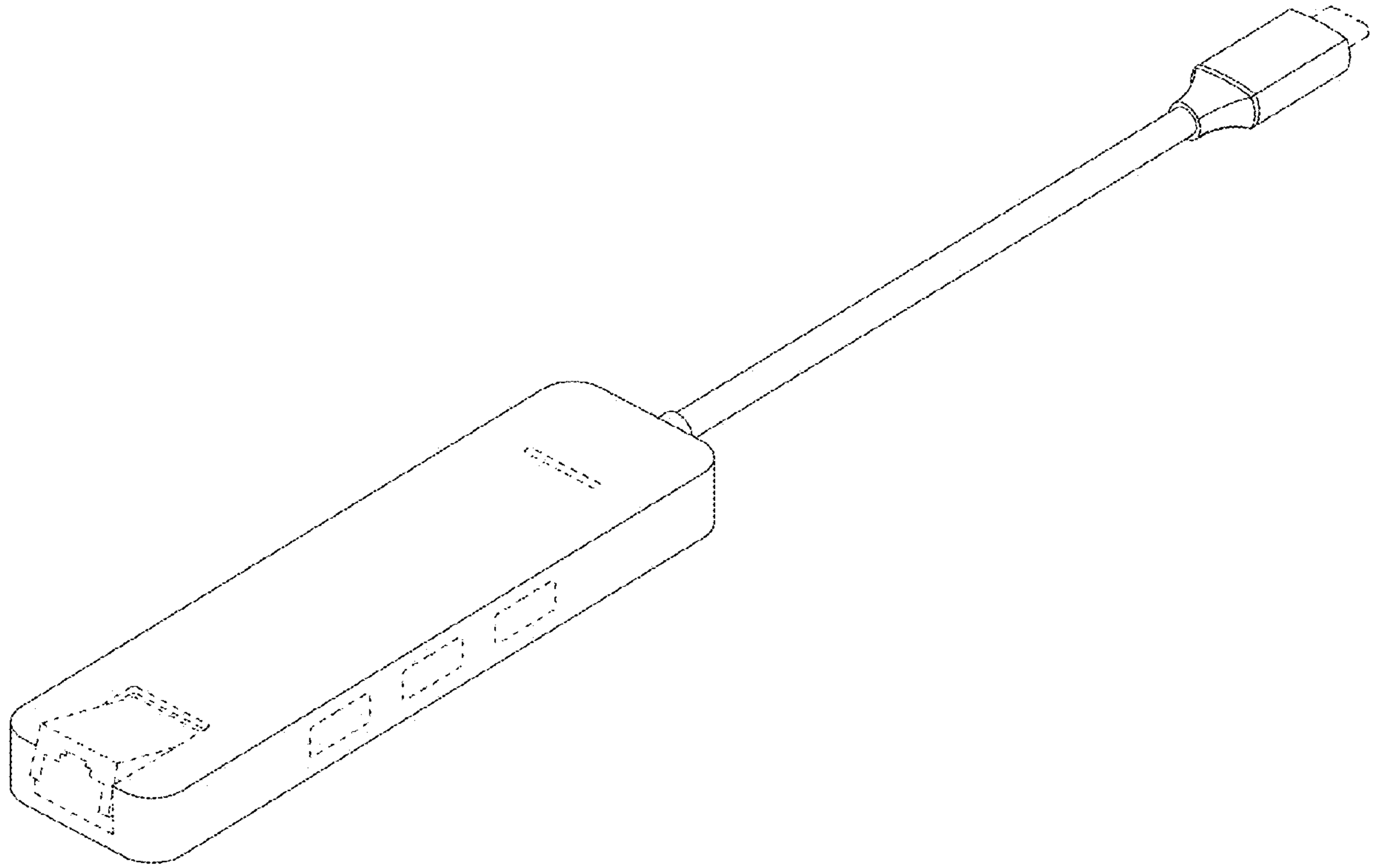


FIG. 9