



US00D916092S

(12) **United States Design Patent**
Szabo

(10) **Patent No.:** **US D916,092 S**

(45) **Date of Patent:** **** Apr. 13, 2021**

(54) **HANDHELD DEVICE**

(71) Applicant: **FLIR Detection, Inc.**, Stillwater, OK
(US)

(72) Inventor: **Matthew Szabo**, Stillwater, OK (US)

(73) Assignee: **FLIR Detection, Inc.**, Stillwater, OK
(US)

(**) Term: **15 Years**

(21) Appl. No.: **29/707,874**

(22) Filed: **Oct. 1, 2019**

(51) **LOC (13) Cl.** **14-02**

(52) **U.S. Cl.**
USPC **D14/426**

(58) **Field of Classification Search**
USPC D14/420, 426-430, 453, 346, 341, 347,
D14/412, 138; D13/107, 184; 358/473;
235/462.43, 462.45, 462.47, 462.48,
235/462.44, 462.46, 487, 472.01, 472.02,
235/145 A, 145 R; D10/78, 57, 2, 46, 52,
D10/53, 81; 324/426; D3/273; 710/73;
D18/7; 361/679, 728, 679.56; 382/313,
382/321; 455/575.1, 561, 572, 41.2;
345/156, 168, 169, 172, 173, 87; 705/17,
705/18, 22-25; D16/206, 218, 202, 219,
D16/208, 209; 356/328; 396/419, 423,
396/424; 374/130, 100, 121, 102, 141,
374/124, 170, 104, 103; 702/130, 135;
348/164, 165, 149, 333.01, 333.11,
348/E5.043, E5.047, E5.09, 33, 82,
348/E5.028, 347, 373, 374, 375;
250/330, 351, 353, 332, 334, 358.1,
250/316.1, 338.1; 600/549, 474, 413,
600/473, 200, 184
CPC G06F 1/626; G06F 1/1626; G06F 1/1656;
G06F 1/1632; G06F 1/1684; G06F
1/1635; G06F 8/63; G06F 17/30091;
G06F 9/4401; G06K 7/10881; G06K
7/1098; G06K 7/10722; G06K 7/1404;

G06K 7/0004; G06K 7/10633; G06K
7/10851; G06K 7/1091; G06K 7/1092;
G06K 7/1093; G06K

(Continued)

(56) **References Cited**

U.S. PATENT DOCUMENTS

D386,152 S * 11/1997 Warneke D14/347
D447,141 S * 8/2001 Itoh D14/385

(Continued)

OTHER PUBLICATIONS

FLIR Systems, Inc., "Rugged, Handheld Explosives Trace Detector Fido X3", [Retrieved on Dec. 2, 2019], Retrieved from the Internet <URL: <https://www.flir.com/products/fido-x3/>>, 4 pages.

(Continued)

Primary Examiner — Susan Moon Lee
(74) *Attorney, Agent, or Firm* — Haynes and Boone, LLP

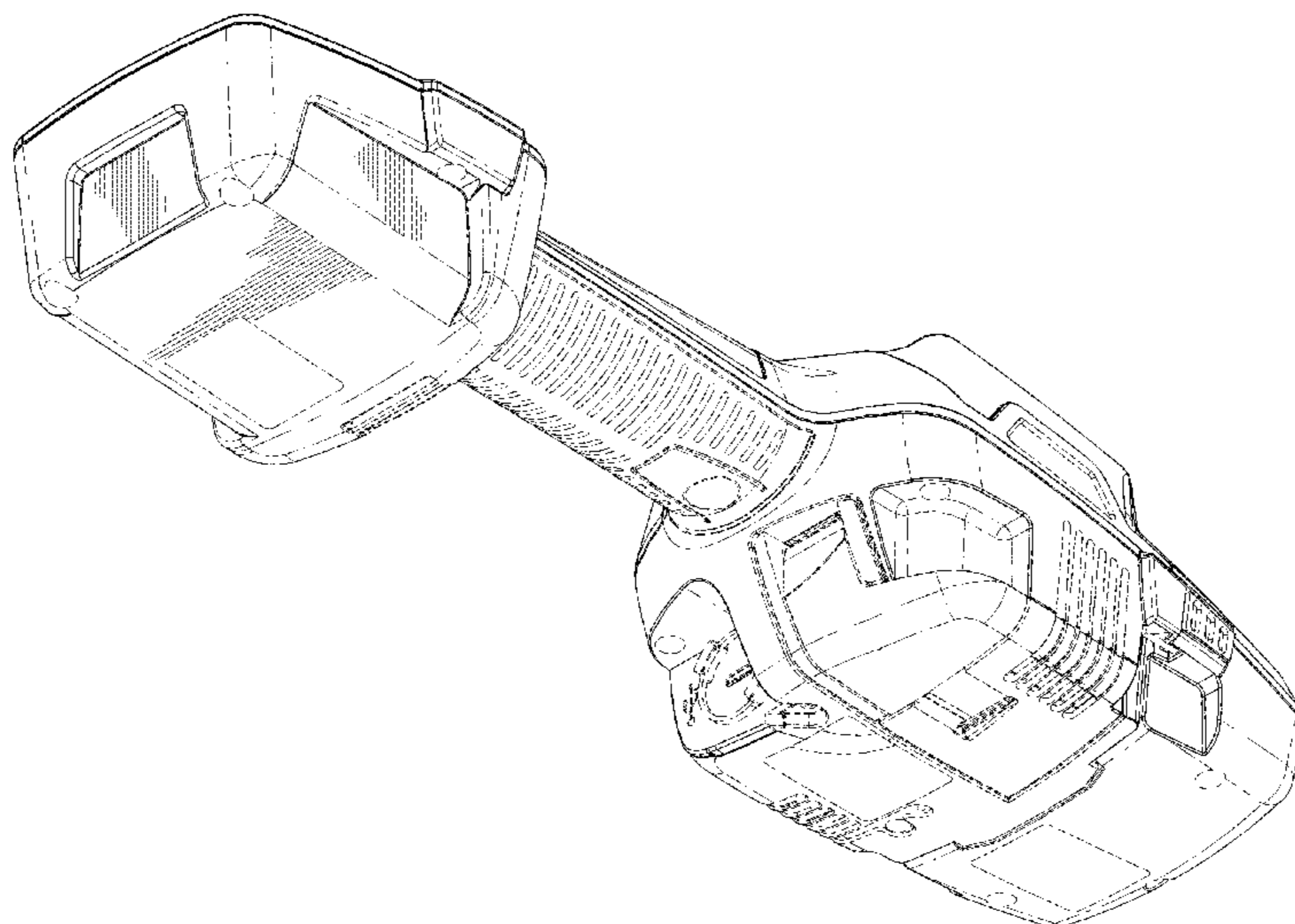
(57) **CLAIM**

The ornamental design for a handheld device, as shown and described.

DESCRIPTION

FIG. 1 is a front, left, and bottom perspective view of a handheld device embodying the new design; FIG. 2 is a rear, left, and bottom perspective view thereof; FIG. 3 is a front elevational view thereof; FIG. 4 is a rear elevational view thereof; FIG. 5 is a left side elevational view thereof; FIG. 6 is a right side elevational view thereof; FIG. 7 is a bottom plan view thereof; and, FIG. 8 is a top plan view thereof. The broken lines in the figures are shown for the purpose of illustrating portions of the handheld device and/or environmental matter and form no part of the claimed design.

1 Claim, 7 Drawing Sheets



(58) **Field of Classification Search**

CPC 7/10; G06K 7/109; G06K 7/1417; G06K 9/228; G06K 17/0022; G06K 17/00; G06K 2207/1011; G06K 2207/1013; G06K 2207/1016; G06K 2207/1018; G06K 2017/0051; G06K 2017/0067; G06K 2007/10524; G07G 1/0081; G07G 1/009; G06Q 20/20; G06Q 20/201; G06Q 20/202; G06Q 20/203; G06Q 20/30; G06Q 20/32; G06Q 20/322; G06Q 20/4014; G06Q 10/087; H04N 1/00127; H04N 1/00135; H04N 1/00326; H04N 1/00334; H04N 1/00307; H04N 1/107; H04N 2201/0084; H04N 2101/00; H04N 5/332; H04N 5/33; H04N 5/2251; H04N 5/2258; H04N 5/2256; H04N 5/23293; H04N 5/23203; H04N 5/2254; H04N 5/2252; H04N 5/2253; H04N 5/23229; H04N 5/3651; H04M 1/0249; H04M 1/0262; H04M 1/0266; H04M 1/18; H04M 1/23; H04M 1/236; H04B 1/3827; H04B 1/3833; H04B 1/3877; H04B 1/3883; H04B 1/3888; H04B 2001/3894; H01M 2/1066; G01J 5/025; G01J 5/0265; G01J 5/026; G01J 5/027; G01J 5/02; G01J 5/06; G01J 5/08; G01J 5/04; G01J 5/12; G01J 5/00; G01J 5/18; G01J 5/0834; G01J 5/522; G01J 5/0806; G01J 5/028; G01J 2005/0077; G01J 2005/0081; G02B 7/08; G02B 7/04; G01K 1/02; G01K 3/04; G03B 17/18; G03B 3/02; G03B 3/04; G03B 3/10

See application file for complete search history.

(56)

References Cited

U.S. PATENT DOCUMENTS

D455,430 S * 4/2002 Krantz D14/426
 D455,750 S * 4/2002 Krantz D14/426
 D477,598 S * 7/2003 Mathiowetz D14/347

6,700,489 B1 * 3/2004 Easter G08B 13/242
 235/472.01
 D490,731 S * 6/2004 Bradford D10/78
 D518,482 S * 4/2006 Hodges D14/426
 D522,504 S * 6/2006 Steiger D14/347
 D527,732 S * 9/2006 Page D14/426
 D535,296 S * 1/2007 Boulware D14/385
 7,193,405 B2 * 3/2007 Murray G01V 3/15
 324/326
 D560,527 S * 1/2008 Rich D10/78
 D574,838 S * 8/2008 Palmer D14/426
 D589,905 S * 4/2009 Lin D13/168
 D594,361 S * 6/2009 Miller D10/104.1
 D594,362 S * 6/2009 Miller D10/104.1
 D599,392 S 9/2009 Hamrelius
 D612,852 S * 3/2010 Bancolini D14/426
 D633,501 S * 3/2011 Davoren D14/426
 7,902,990 B2 * 3/2011 Delmonico H04N 5/2354
 340/636.1
 D646,282 S * 10/2011 Davoren D14/426
 D660,297 S * 5/2012 Henry D14/426
 D664,543 S * 7/2012 Peskin D14/426
 D671,121 S * 11/2012 Schickling D14/426
 D710,424 S 8/2014 Hallgren
 D714,167 S * 9/2014 Hyllbrant D10/46
 D723,605 S 3/2015 Palm
 8,970,934 B2 * 3/2015 Yang G02F 1/29
 359/240
 D727,756 S * 4/2015 Stancato D10/46
 D729,247 S * 5/2015 Hackett D14/426
 9,186,048 B2 * 11/2015 Bueno A61B 1/00096
 D780,245 S 2/2017 Ruback et al.
 D805,571 S 12/2017 Hogstedt et al.
 D805,572 S 12/2017 Hogstedt et al.
 D849,574 S * 5/2019 Sanders D10/78
 D865,028 S 10/2019 Hogstedt et al.
 D886,652 S * 6/2020 Morris D10/78
 2019/0331613 A1 * 10/2019 Morris G01N 21/954

OTHER PUBLICATIONS

FLIR Systems, Inc., "Ultra-Portable Explosives Trace Detector Fido X2", [Retrieved on Dec. 2, 2019], Retrieved from the Internet <URL: <https://www.flir.com/products/fido-x2/>>, 5 pages.

* cited by examiner

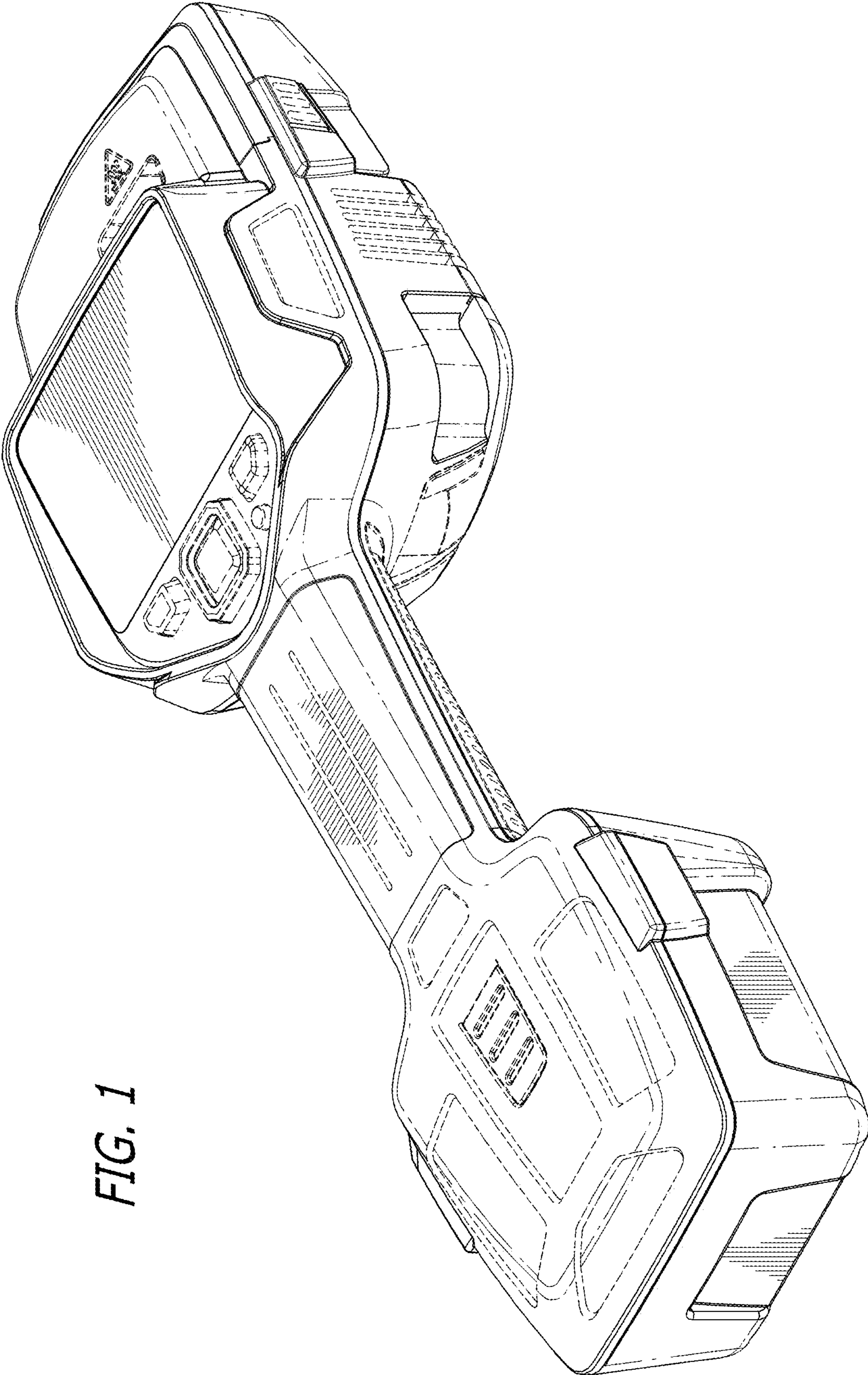
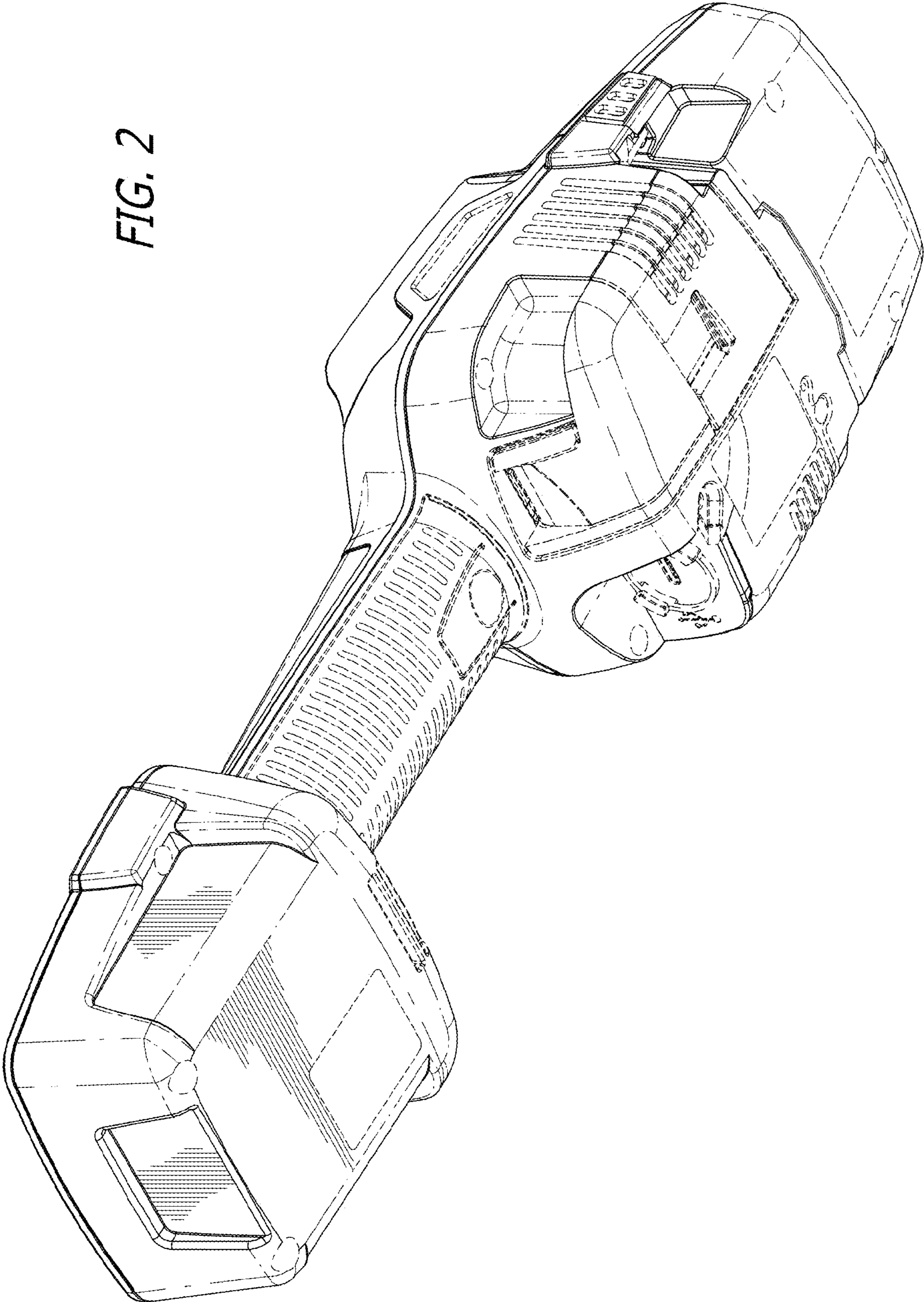


FIG. 1

FIG. 2



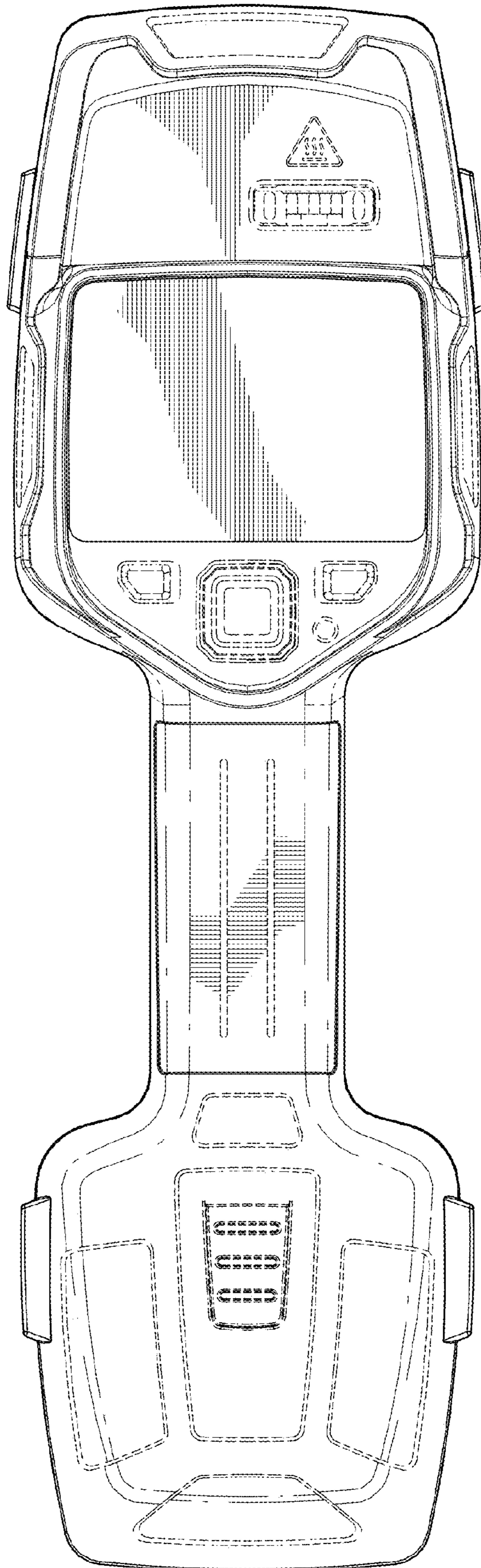


FIG. 3

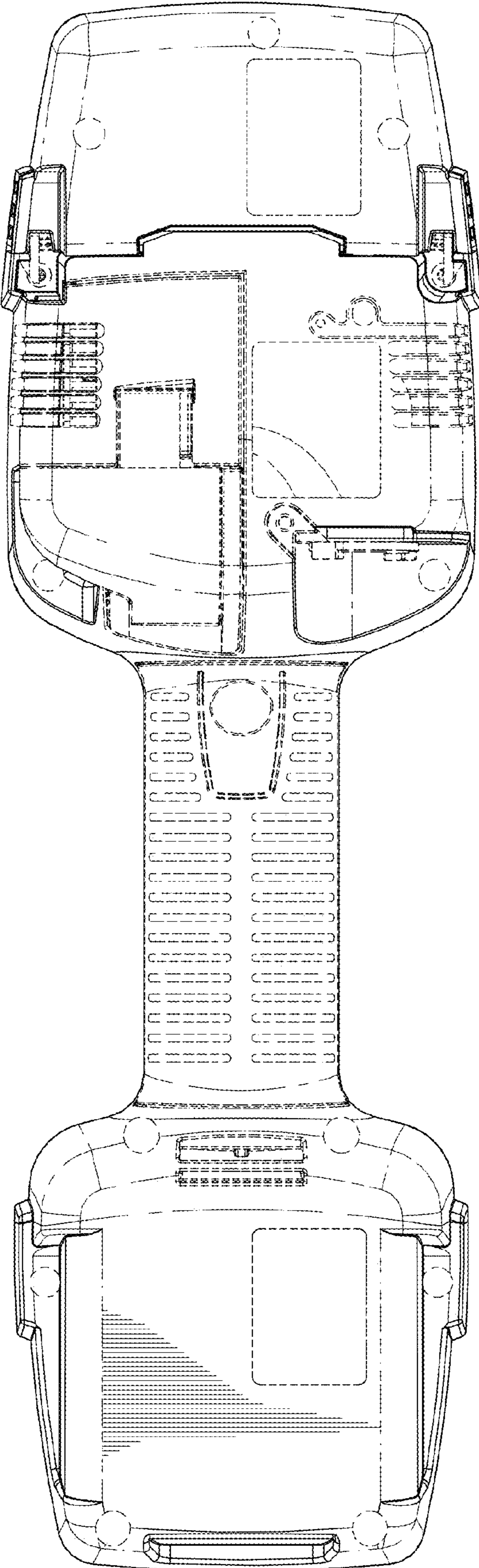


FIG. 4

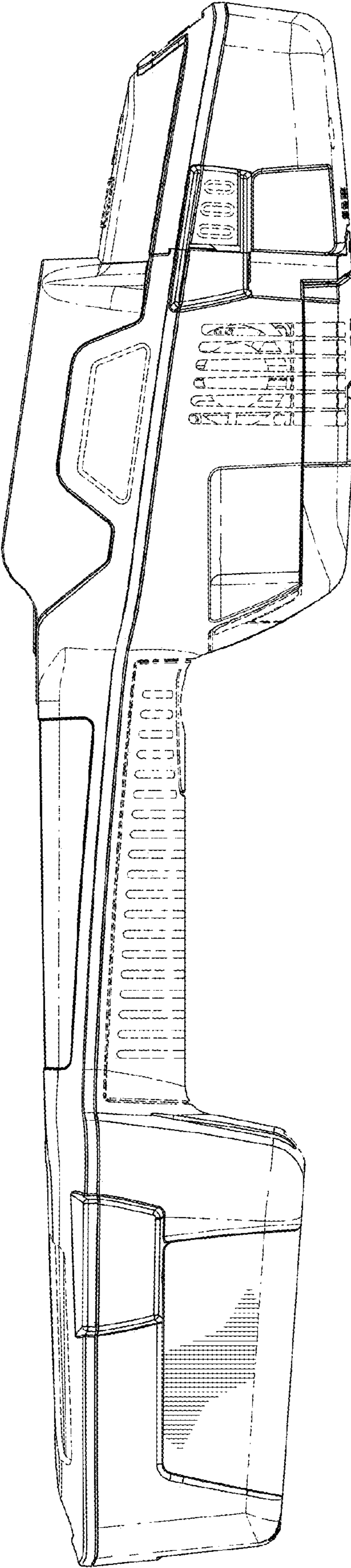


FIG. 5

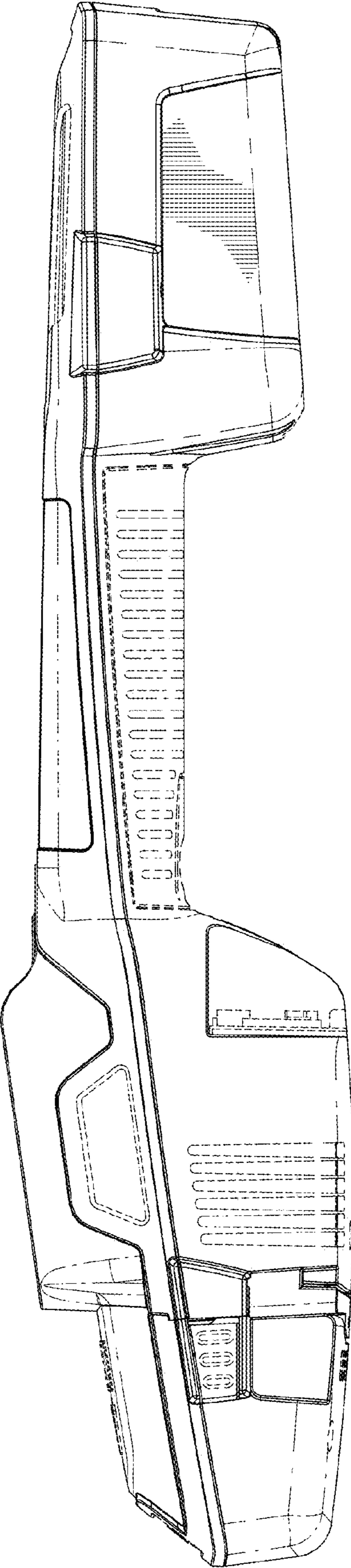


FIG. 6

FIG. 8

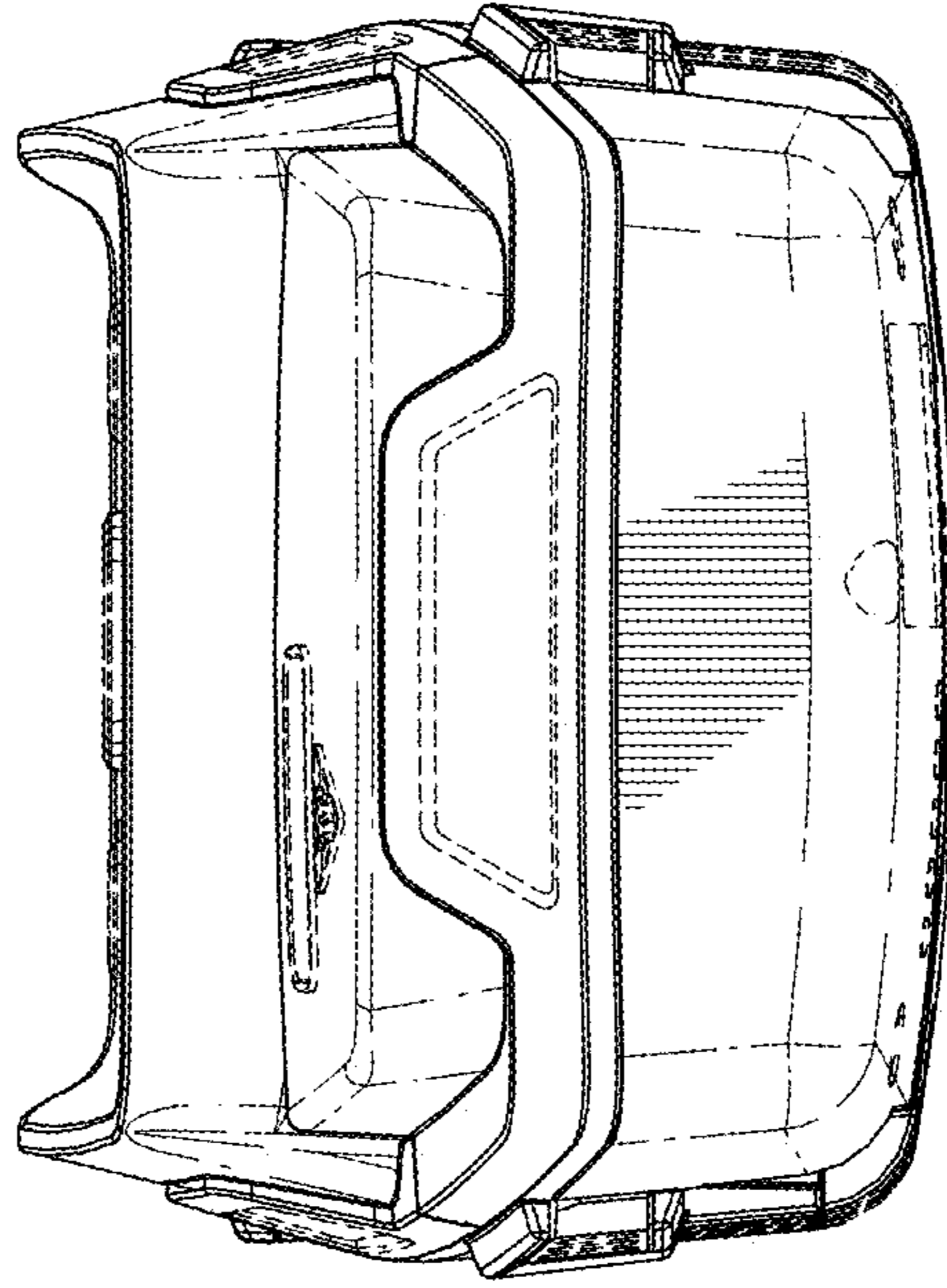


FIG. 7

