



US00D916091S

(12) **United States Design Patent**
Connellan et al.

(10) **Patent No.:** **US D916,091 S**
(45) **Date of Patent:** **** Apr. 13, 2021**

- (54) **INPUT DEVICE FOR USE IN VIRTUAL/AUGMENTED REALITY**
- (71) Applicant: **Logitech Europe S.A.**, Lausanne (CH)
- (72) Inventors: **Andreas Connellan**, Dublin (IE);
Pierce Brady, Co. Cork (IE); **Fergal Corcoran**, Co. Cork (IE)
- (73) Assignee: **Logitech Europe S.A.**, Lausanne (CH)
- (**) Term: **15 Years**
- (21) Appl. No.: **29/758,032**
- (22) Filed: **Nov. 11, 2020**

Related U.S. Application Data

- (62) Division of application No. 29/653,883, filed on Jun. 19, 2018, now Pat. No. Des. 906,330.
- (51) **LOC (13) Cl.** **14-02**
- (52) **U.S. Cl.**
USPC **D14/405**; D14/411
- (58) **Field of Classification Search**
USPC D14/372, 496, 432, 371, 125, 126, 129,
D14/299, 411, 402-410; D16/300-342;
351/158, 153, 144; 345/7-9, 905;
455/344; 348/115, 53, 121, 739
CPC G02B 27/017; G06F 3/016; G06F 3/033;
G06F 3/0317; G06F 3/03545; G06F
3/041; G06K 9/222
See application file for complete search history.

(56) **References Cited**

U.S. PATENT DOCUMENTS

- D348,057 S * 6/1994 Bradley D14/404
- D367,272 S * 2/1996 Hood D14/405
- D410,638 S * 6/1999 Sheehan D14/409
- D442,595 S * 5/2001 Lee D14/402

- 6,724,366 B2 * 4/2004 Crawford G06F 3/03547
345/156
- D583,376 S * 12/2008 Snijders D14/405
- D642,176 S * 7/2011 Shi D14/411
- D662,500 S * 6/2012 OQuin D14/411
- D662,936 S * 7/2012 Jordan D14/411
- D686,211 S * 7/2013 Lin D14/411
- D700,909 S * 3/2014 Bowser D14/432
- D710,362 S * 8/2014 Kaminsky D14/426
- D712,410 S * 9/2014 Shu D14/411
- D718,311 S * 11/2014 Burke D14/411
- D720,349 S * 12/2014 Comerford D14/411

(Continued)

Primary Examiner — Austin Murphy

(74) *Attorney, Agent, or Firm* — Kilpatrick Townsend & Stockton LLP

(57) **CLAIM**

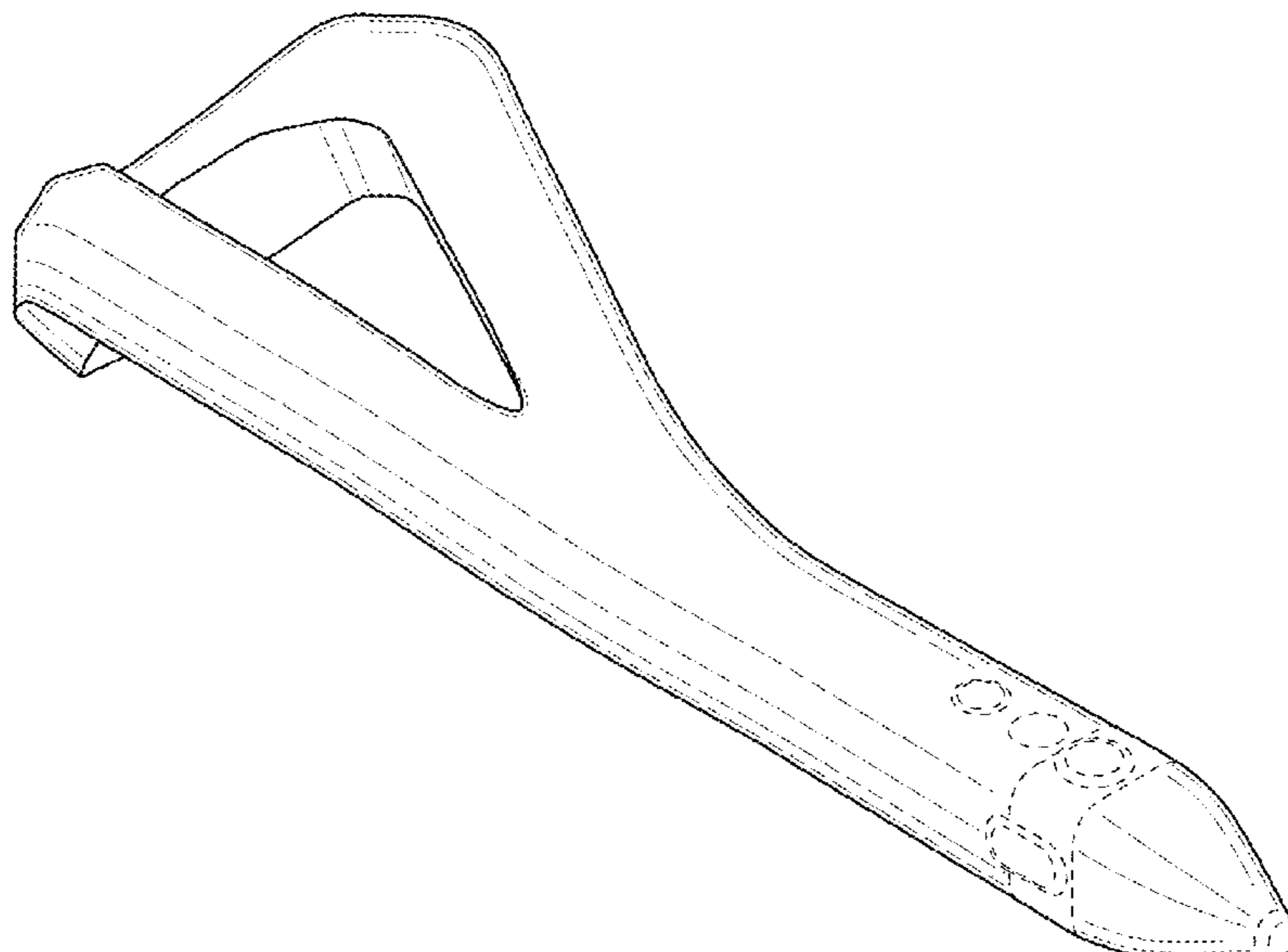
The ornamental design for input device for use in virtual/augmented reality, as shown and described.

DESCRIPTION

FIG. 1 shows a first perspective view of a second embodiment of a input device for use in virtual/augmented reality showing our new design;
 FIG. 2 shows a second perspective view thereof;
 FIG. 3 shows a third perspective view thereof;
 FIG. 4 shows a fourth perspective view thereof;
 FIG. 4 shows a top plan view thereof;
 FIG. 6 shows a bottom plan view thereof;
 FIG. 7 shows a front elevation view thereof;
 FIG. 8 shows a rear elevation view thereof;
 FIG. 9 shows a right side elevation view thereof; and,
 FIG. 10 shows a left side elevation view thereof.

The broken lines shown to be immediately adjacent to the shaded/contoured areas represent certain portions of the bounds of the claimed design while all other broken lines are directed to environmental features and are provided for illustrative purposes only; the broken lines form no part of the claimed design.

1 Claim, 7 Drawing Sheets



(56)

References Cited

U.S. PATENT DOCUMENTS

D723,036 S	*	2/2015	Longo	D14/432
D742,381 S	*	11/2015	Joseph	D14/411
D751,554 S	*	3/2016	Eaton	D14/411
D774,512 S	*	12/2016	Liu	D14/411
D787,518 S	*	5/2017	Tudisco	D14/411

* cited by examiner

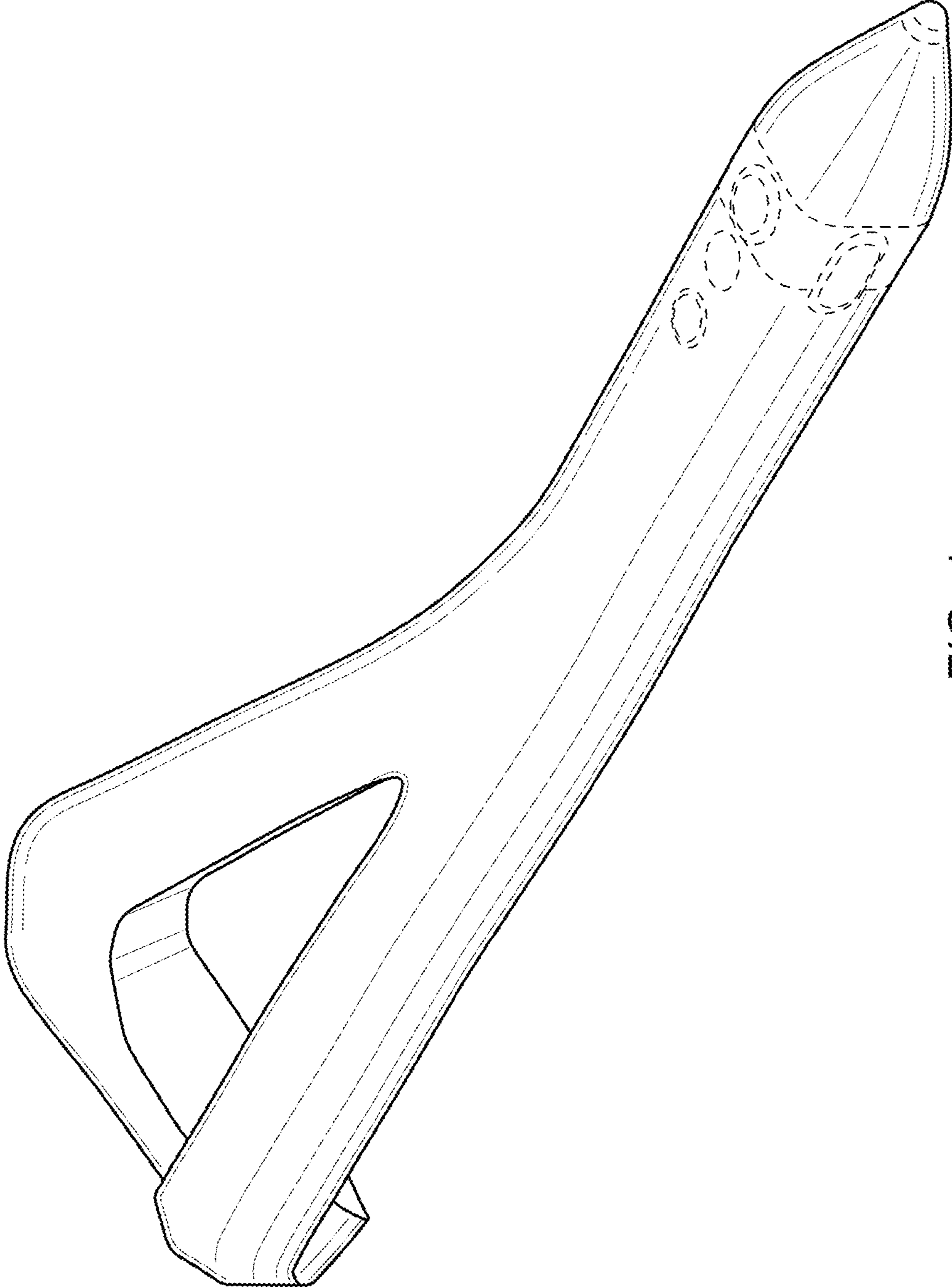


FIG. 1

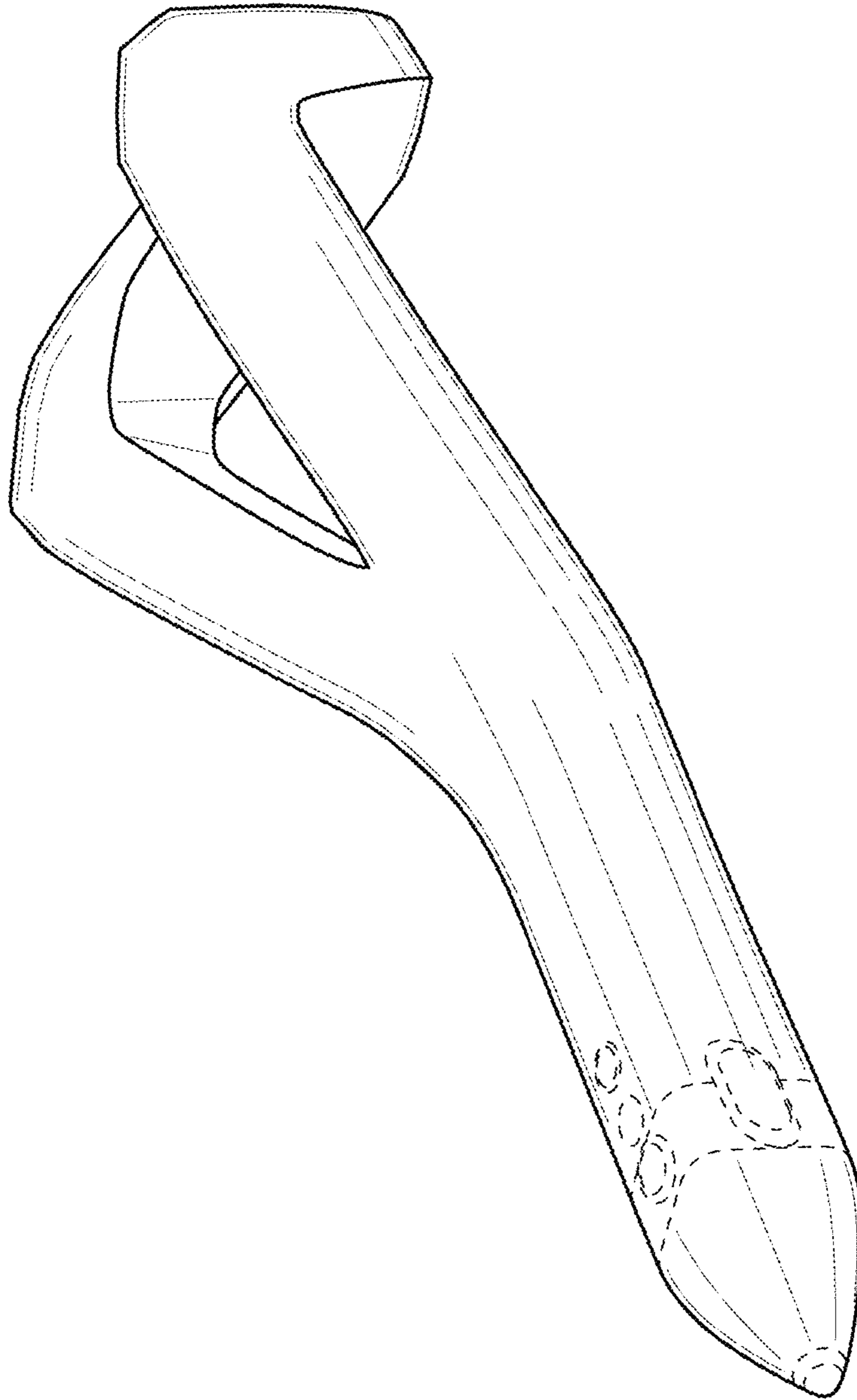


FIG. 2

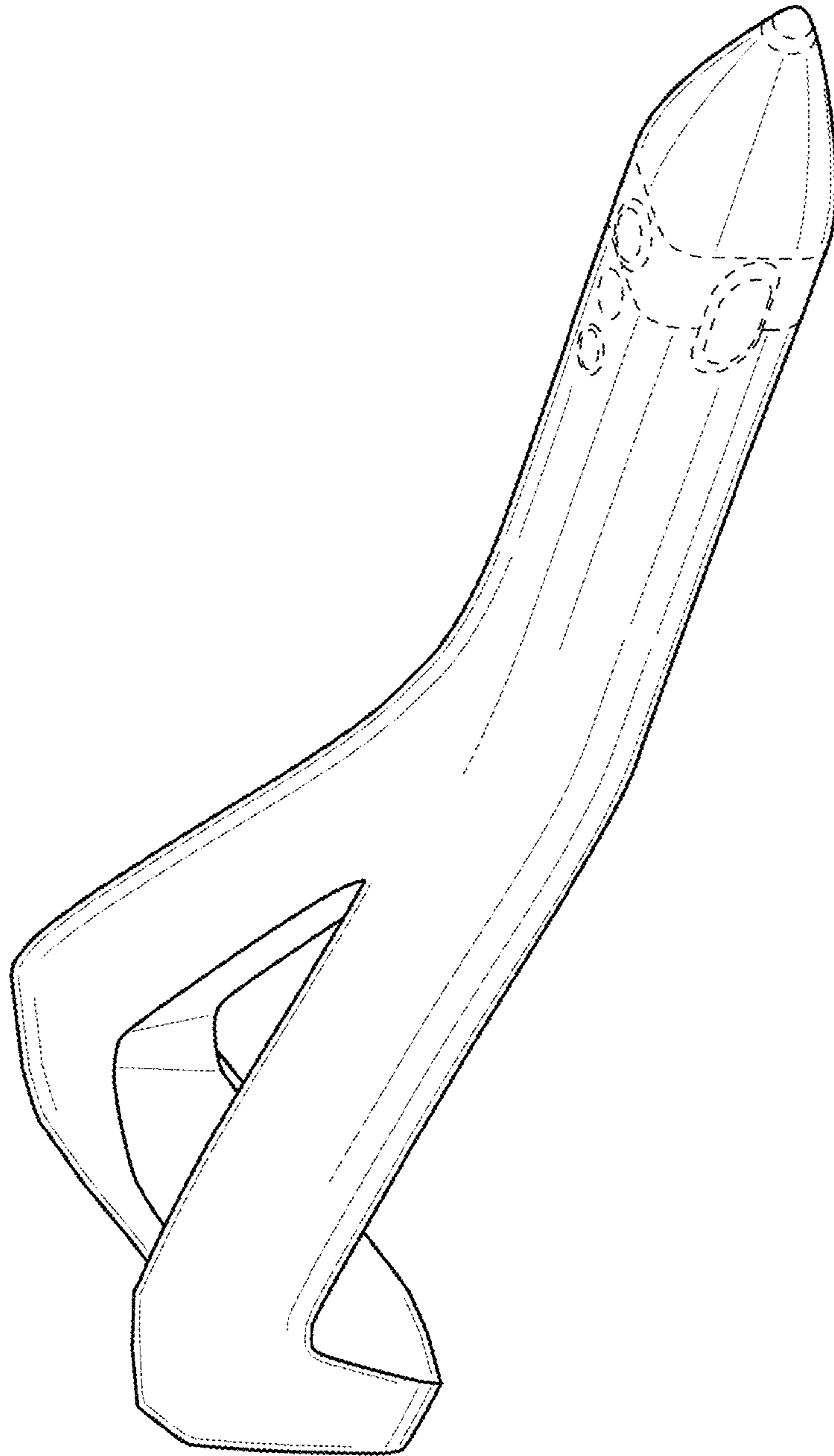


FIG. 3

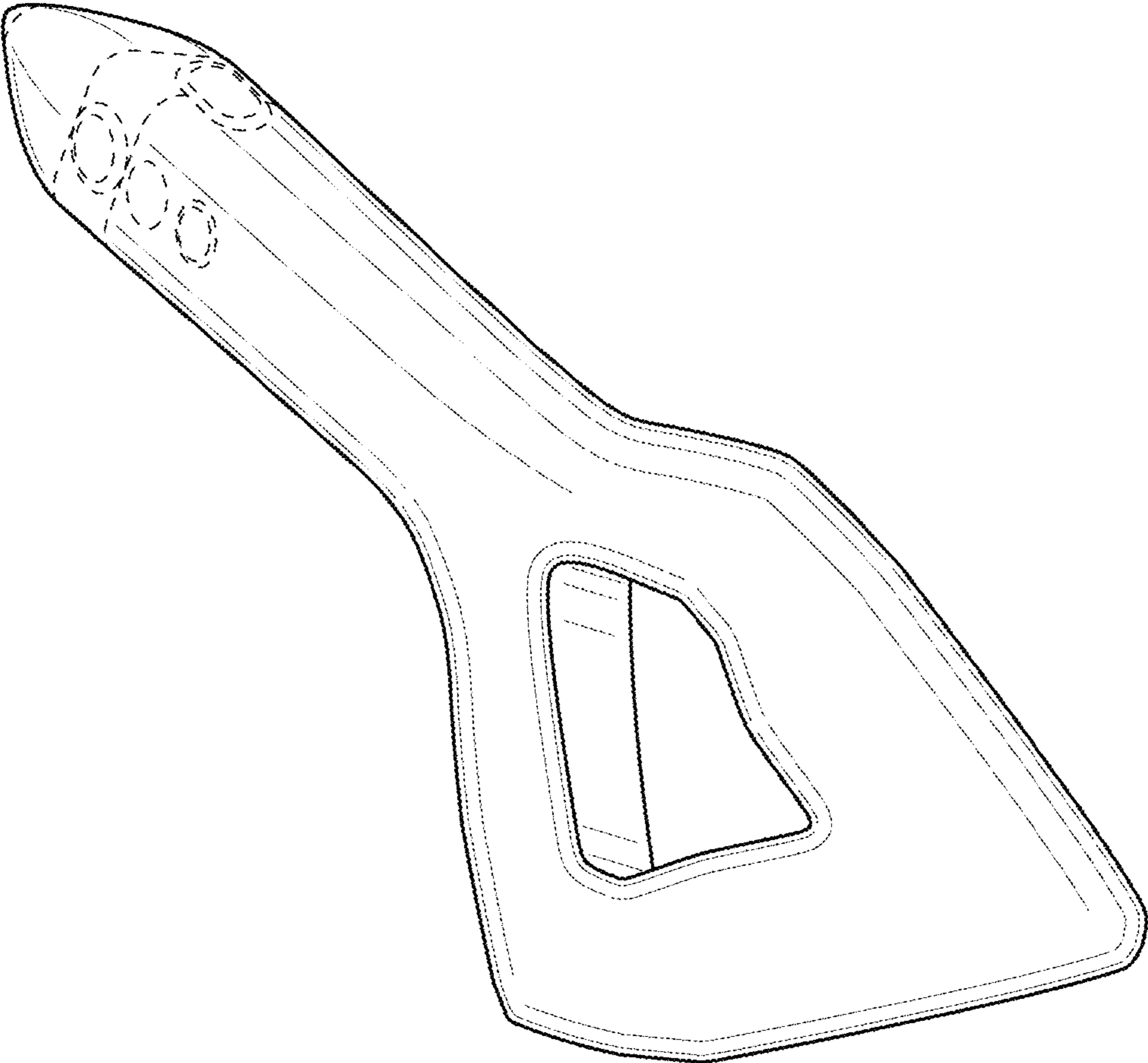


FIG. 4

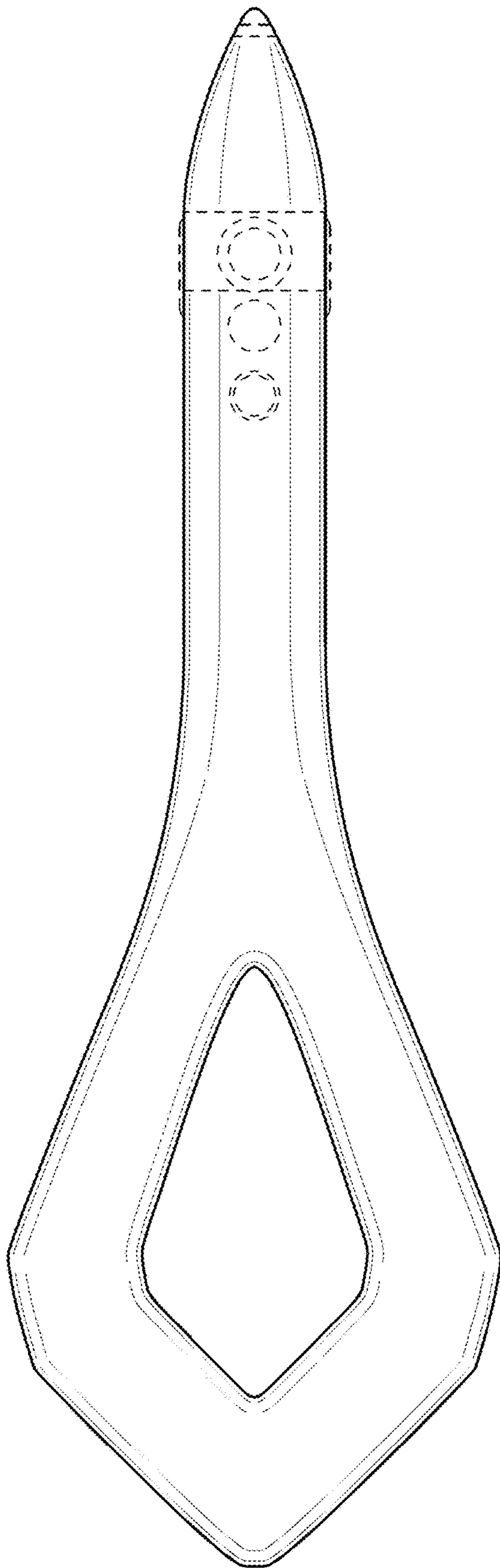


FIG. 5

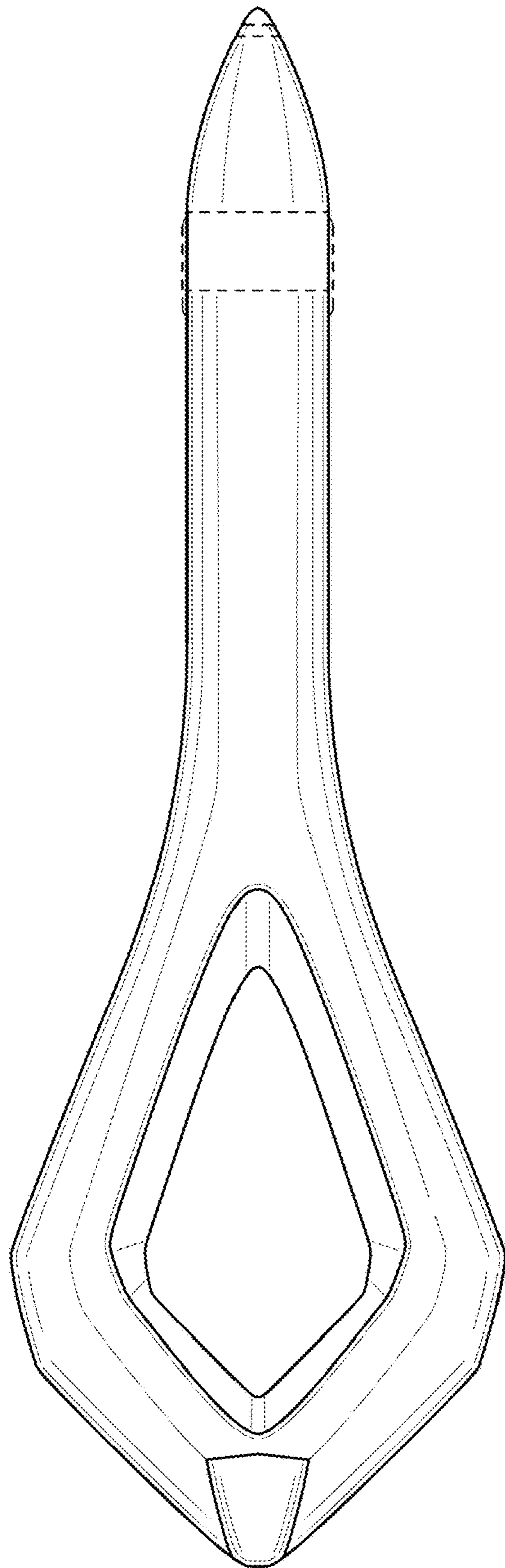


FIG. 6

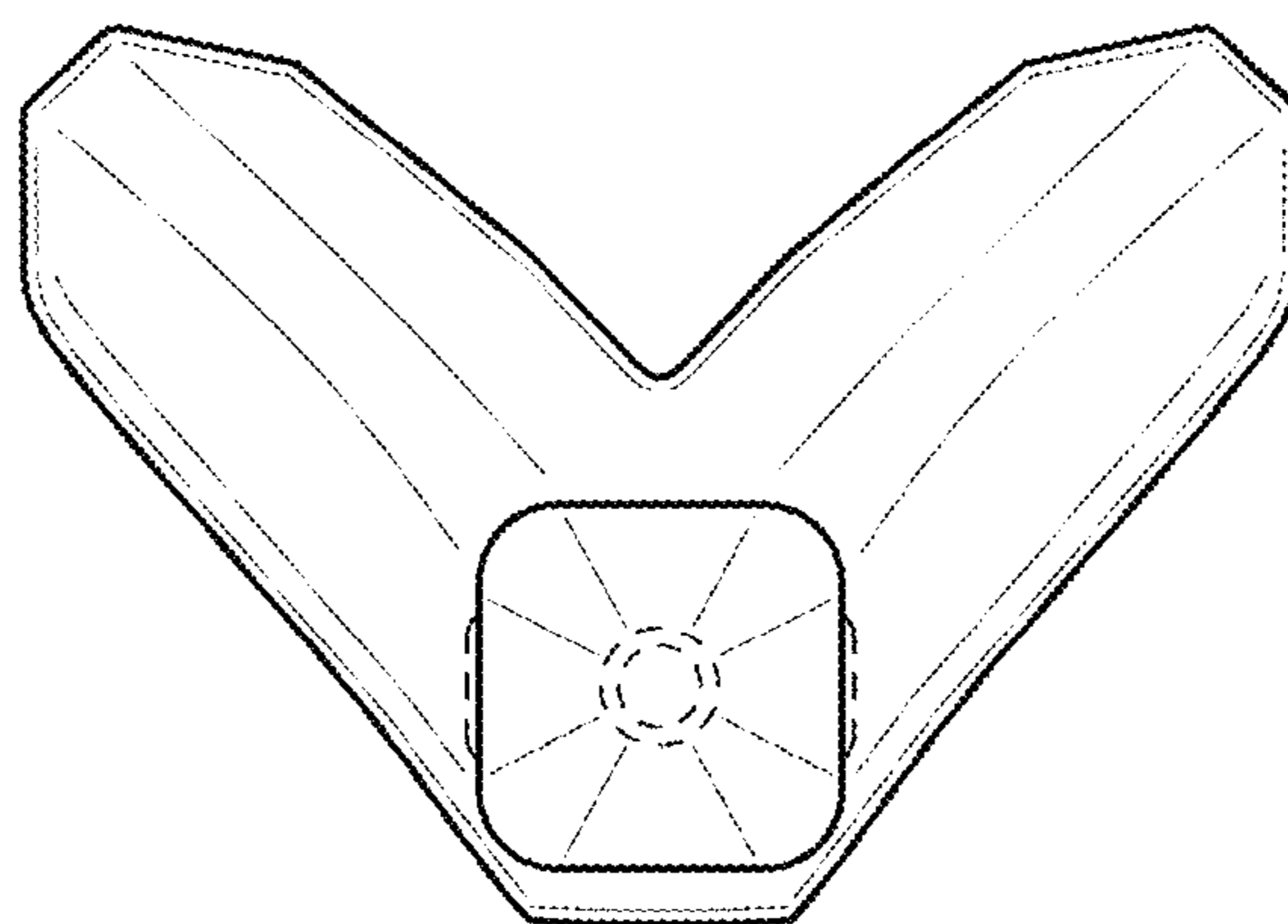


FIG. 7

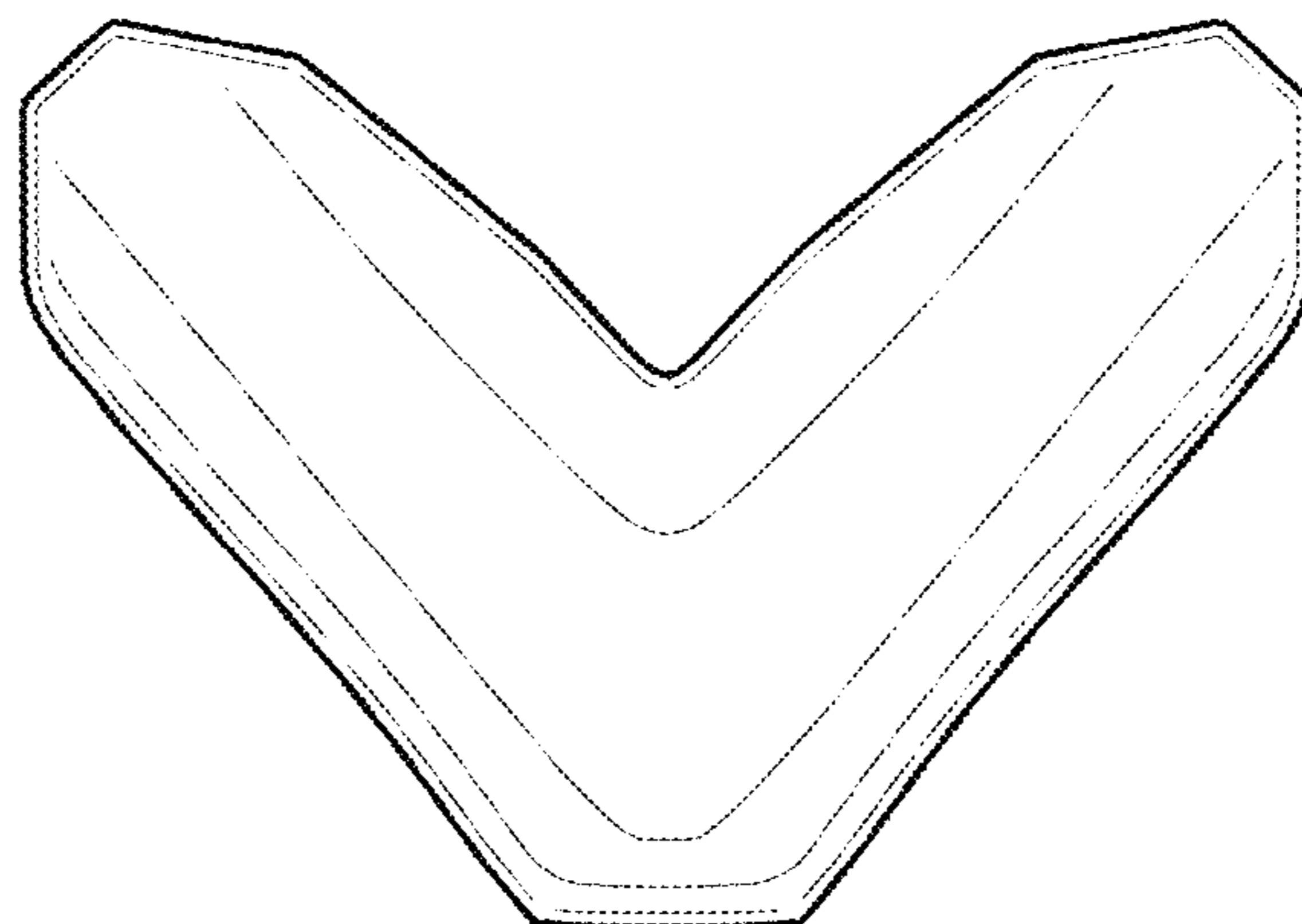


FIG. 8

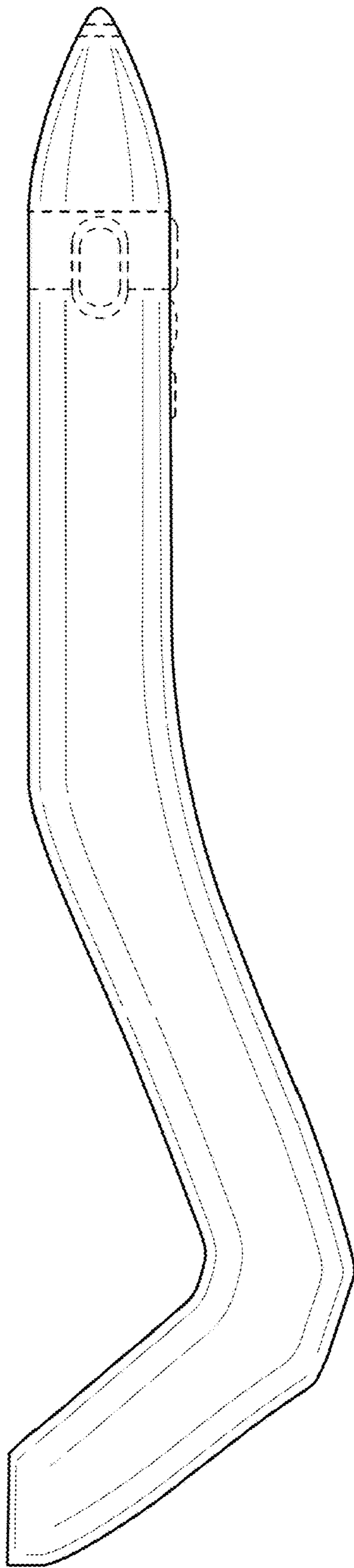


FIG. 9

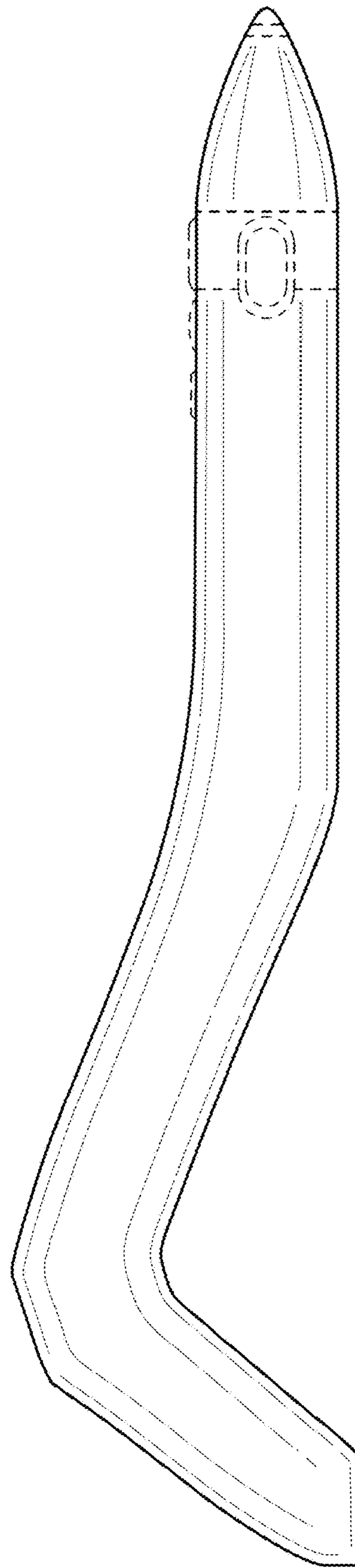


FIG. 10