



US00D916090S

(12) **United States Design Patent**
Huang

(10) **Patent No.:** **US D916,090 S**

(45) **Date of Patent:** **** Apr. 13, 2021**

(54) **MOUSE**

(71) Applicant: **Hongmei Huang, Ji'an (CN)**

(72) Inventor: **Hongmei Huang, Ji'an (CN)**

(**) Term: **15 Years**

(21) Appl. No.: **29/706,433**

(22) Filed: **Sep. 20, 2019**

(30) **Foreign Application Priority Data**

Mar. 21, 2019 (CN) 201930118153.X

(51) **LOC (13) Cl.** **14-03**

(52) **U.S. Cl.**
USPC **D14/402**

(58) **Field of Classification Search**
USPC D14/402-411, 356, 388, 389, 383-385,
D14/417, 426; 345/156-167; 463/36-38;
358/471, 473; 273/148 B
CPC G06F 3/03543; G06F 2203/0333; G06F
3/039; G06F 3/038; G06F 2203/0384
See application file for complete search history.

(56) **References Cited**

U.S. PATENT DOCUMENTS

D474,769 S * 5/2003 Fisher D14/402
D589,513 S * 3/2009 Chatterjee D14/402

D593,096 S * 5/2009 Bolotin D14/402
D654,918 S * 2/2012 Cheng D14/402
D820,843 S * 6/2018 Lu D14/402
D827,647 S * 9/2018 Chong D14/402
D830,361 S * 10/2018 Jin D14/402
D903,671 S * 12/2020 Wang D14/402

* cited by examiner

Primary Examiner — Austin Murphy

(74) *Attorney, Agent, or Firm* — ZANIP

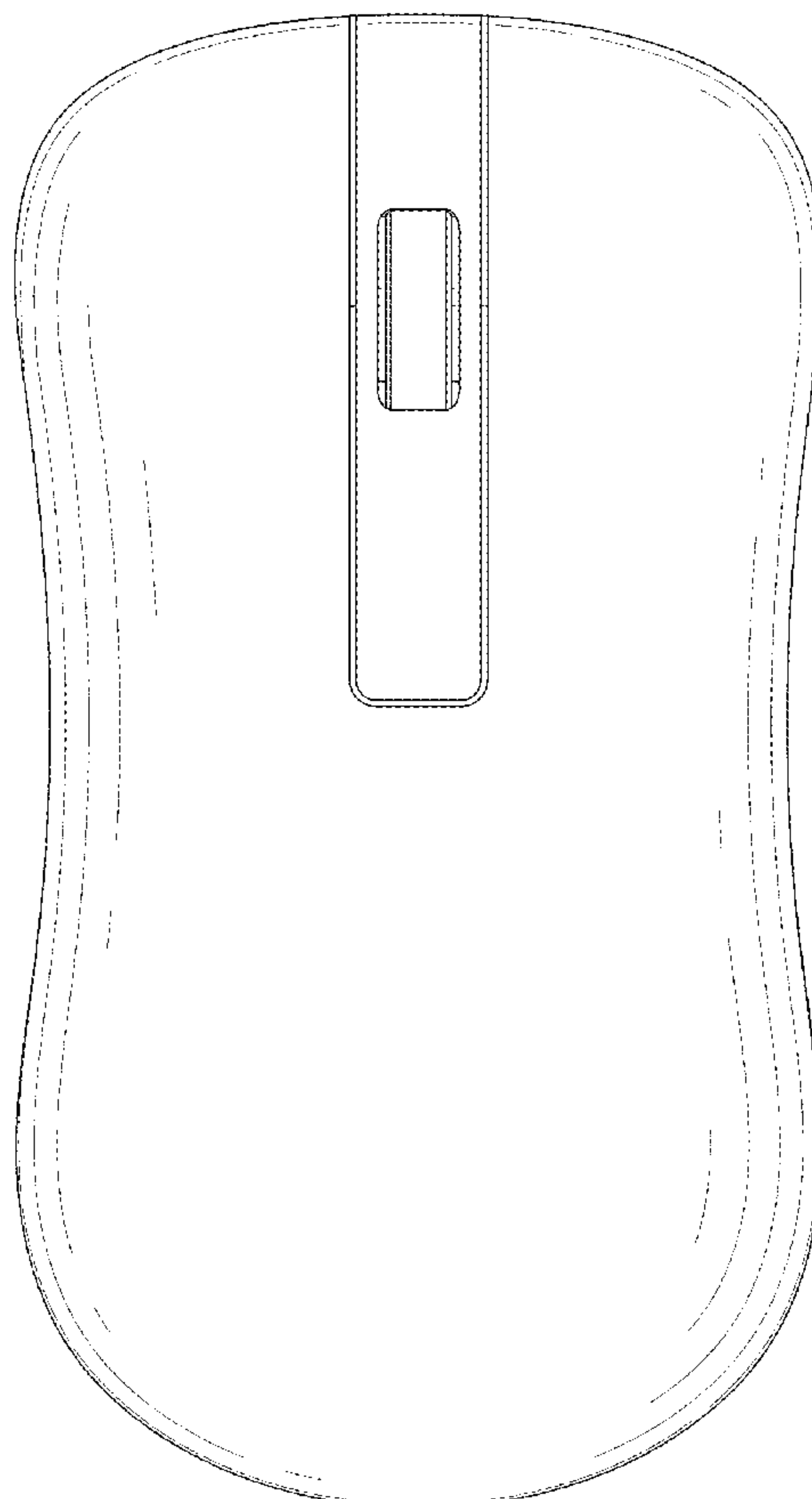
(57) **CLAIM**

The ornamental design for a mouse, as shown and described.

DESCRIPTION

FIG. 1 is a front perspective view of a mouse, showing my new design;
FIG. 2 is a rear perspective view thereof;
FIG. 3 is a front elevational view thereof;
FIG. 4 is a rear elevational view thereof;
FIG. 5 is a left side elevational view thereof;
FIG. 6 is a right side elevational view thereof;
FIG. 7 is a top plan view thereof; and,
FIG. 8 is a bottom plan view thereof.
The broken lines in the figures illustrate portions of the mouse that form no part of the claimed design.

1 Claim, 8 Drawing Sheets



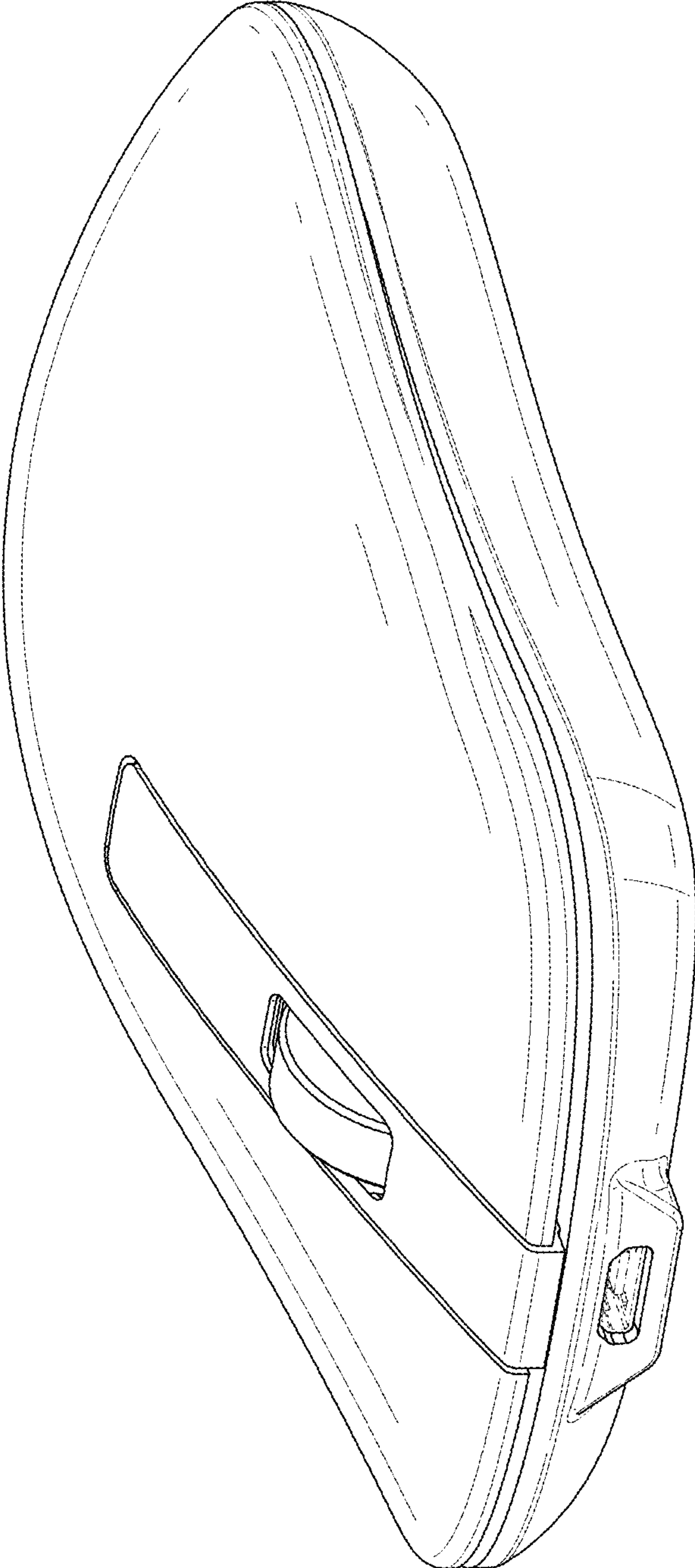


FIG. 1

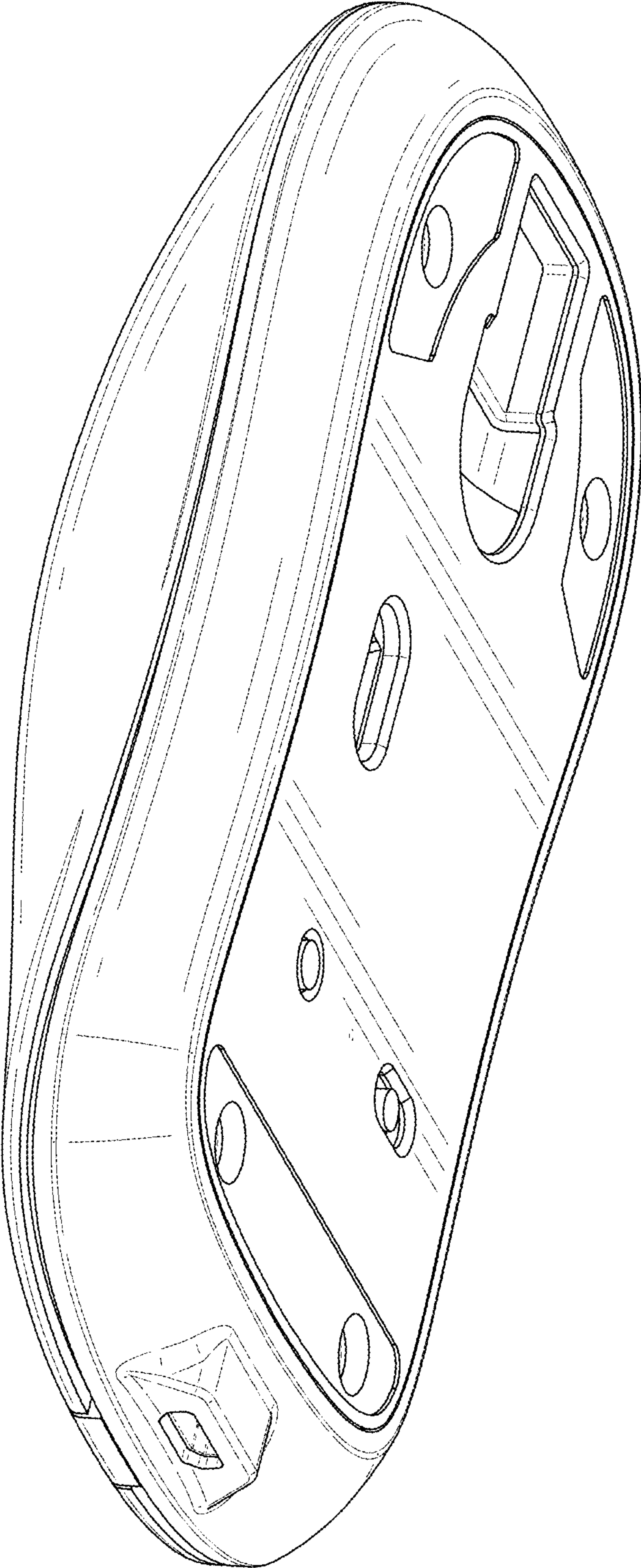


FIG. 2

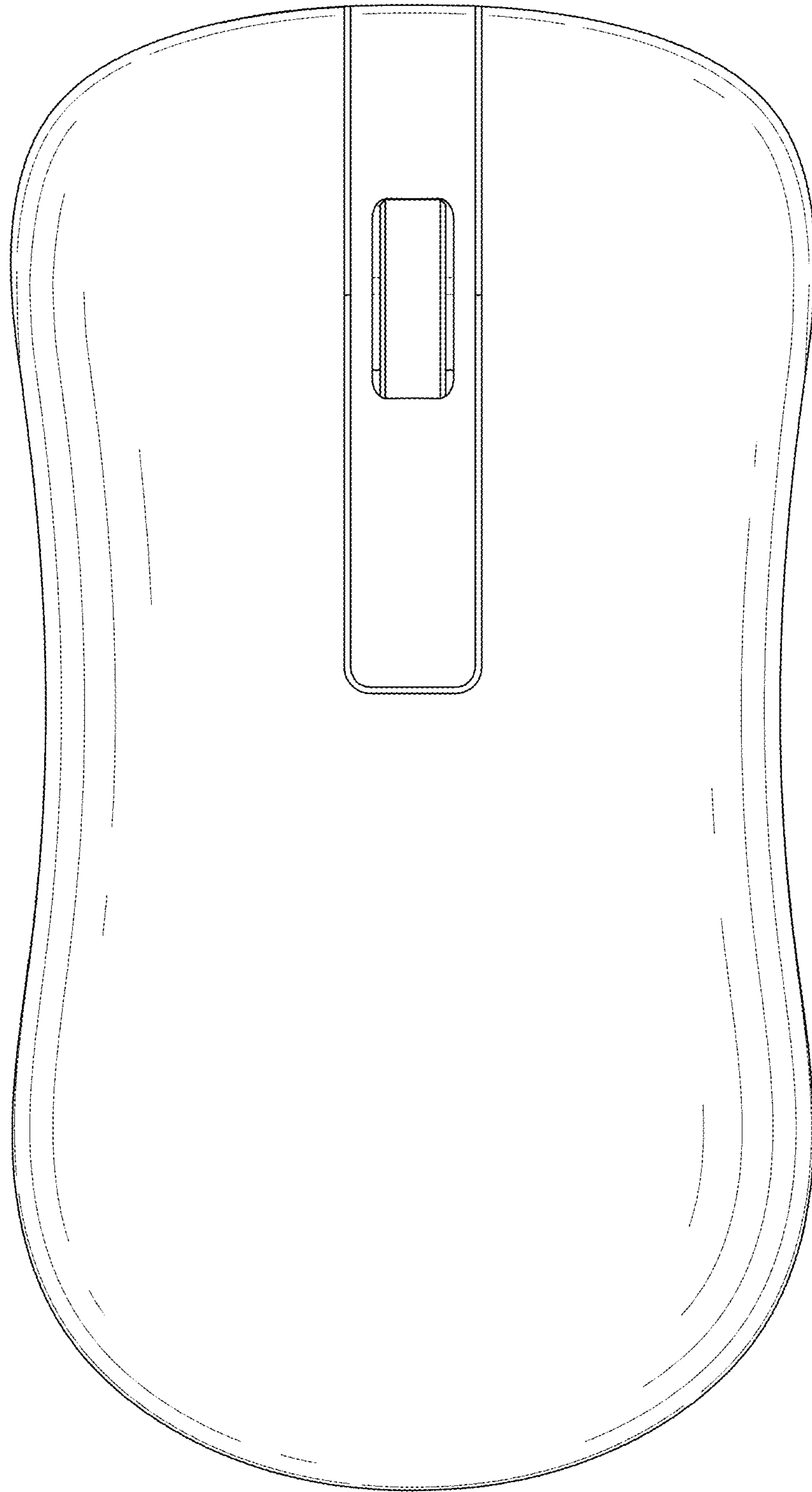


FIG. 3

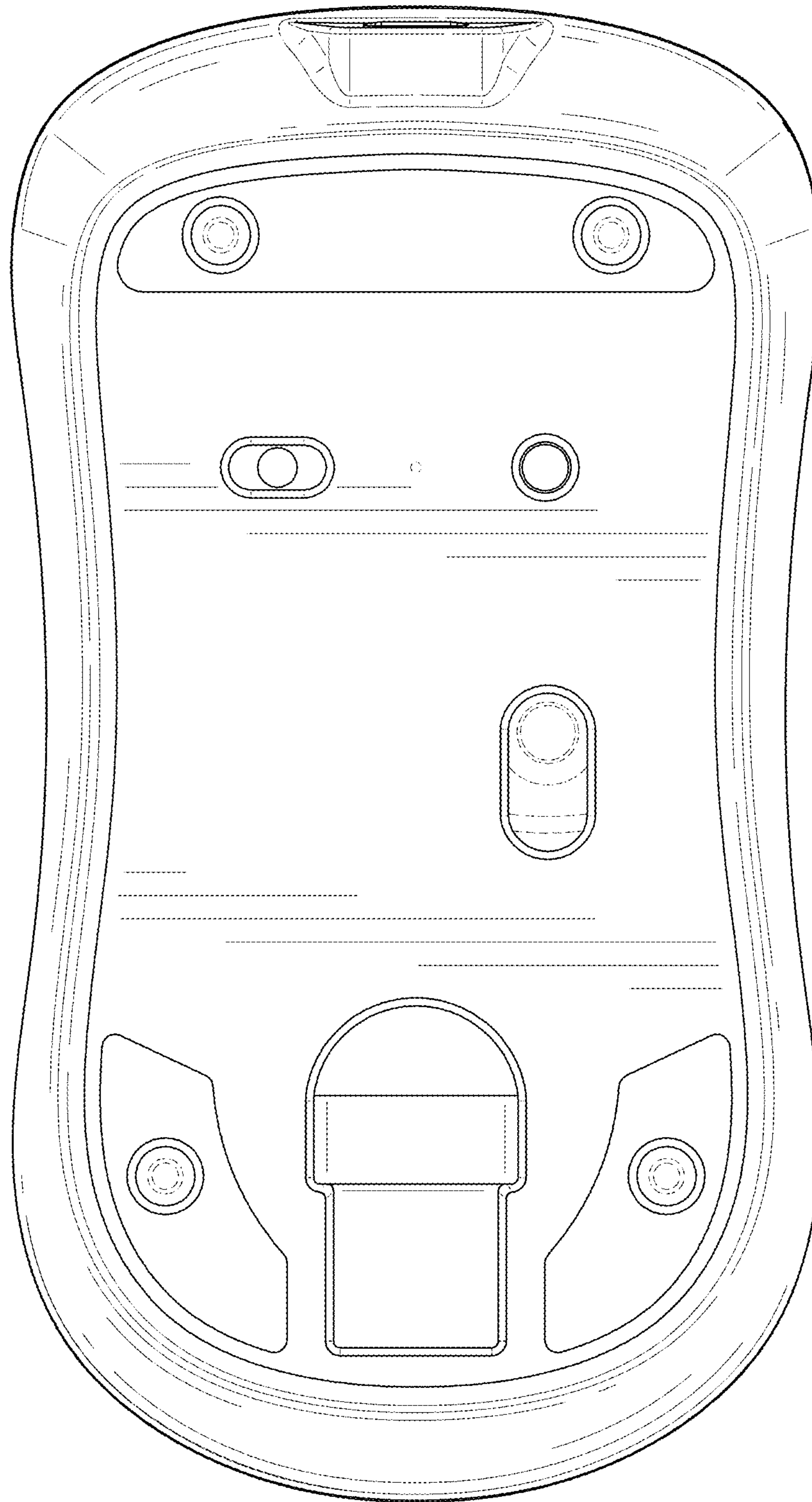


FIG. 4

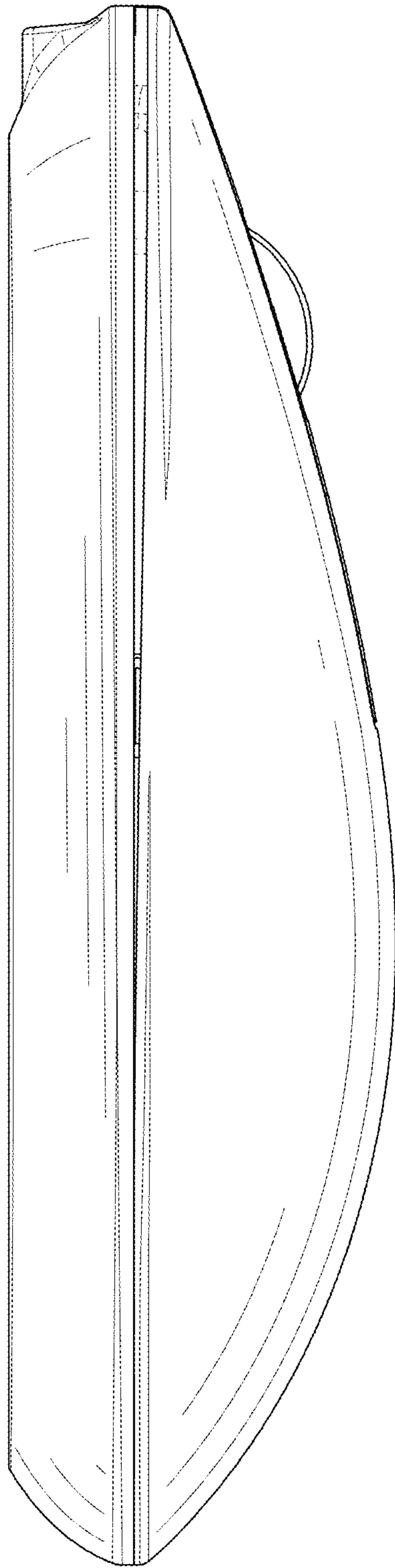


FIG. 5

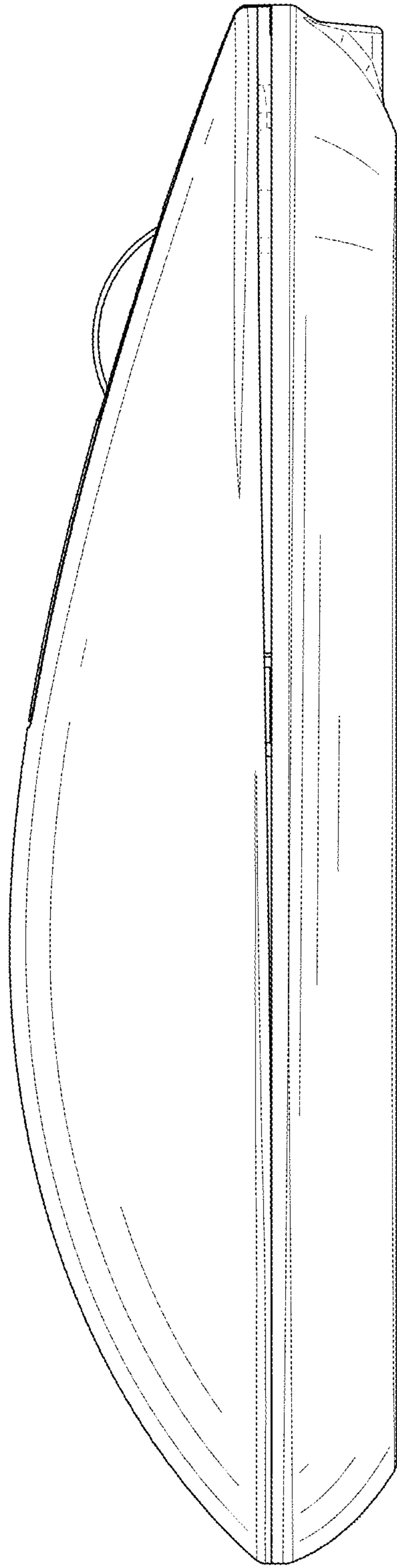


FIG. 6

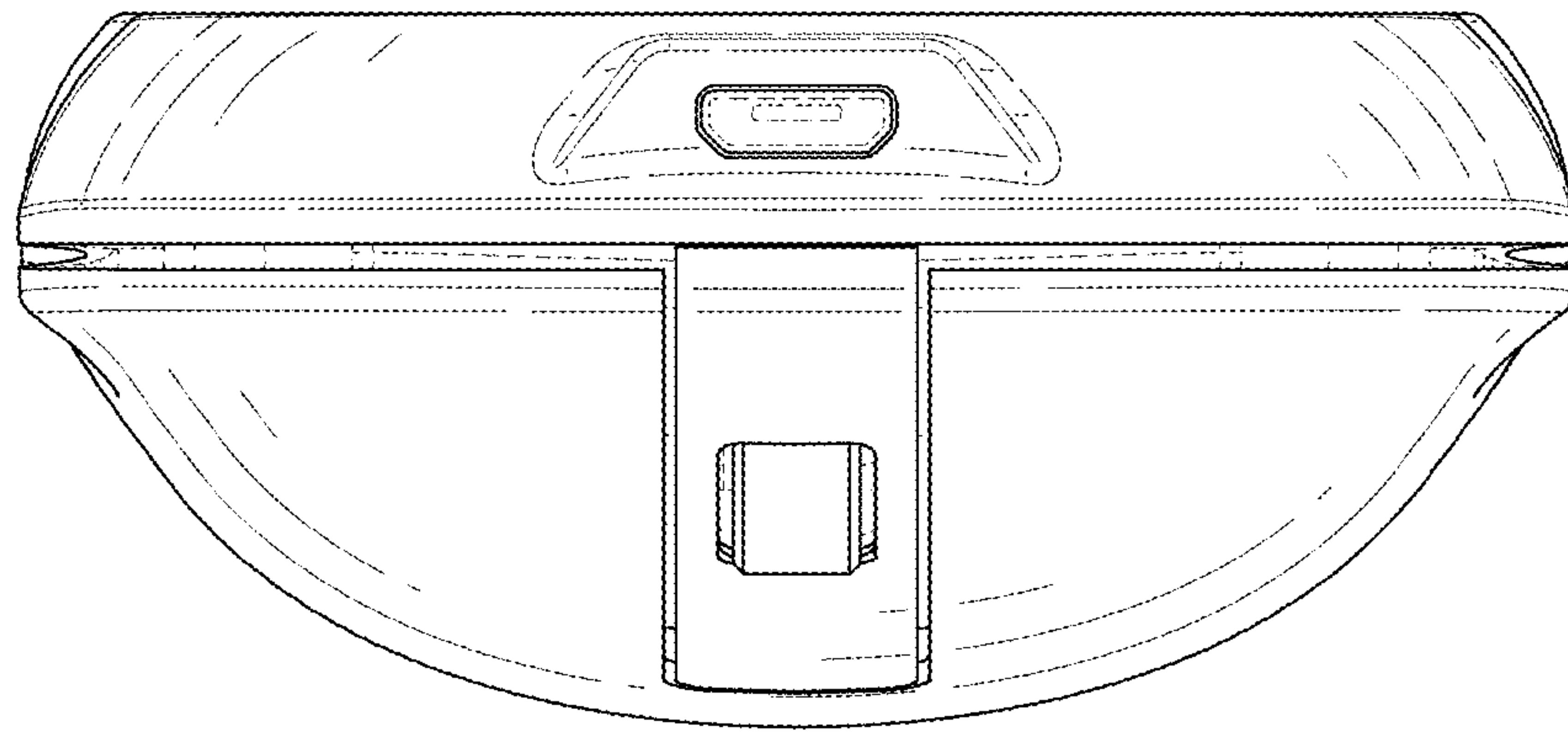


FIG. 7

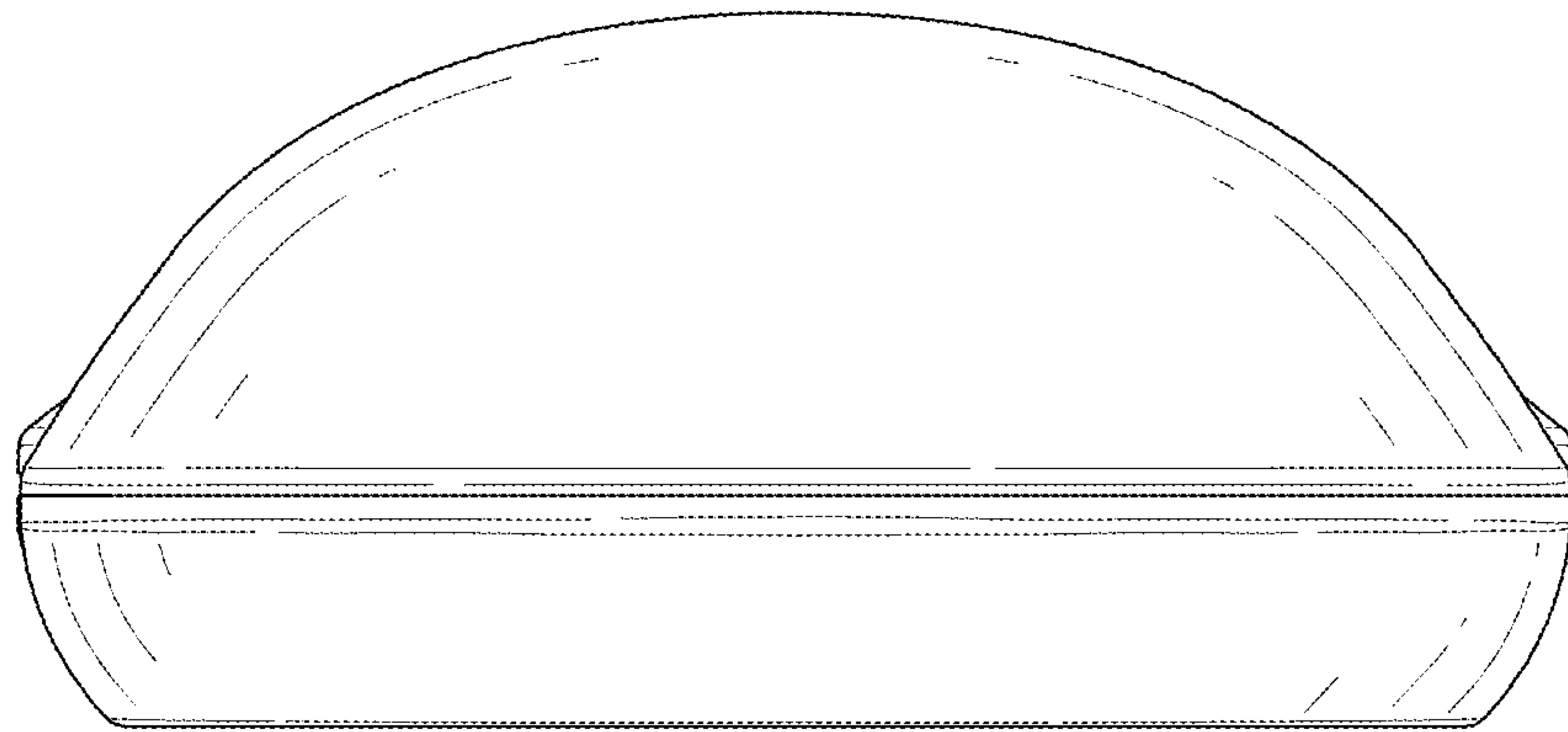


FIG. 8