



US00D916089S

(12) **United States Design Patent**
DeFazio et al.

(10) **Patent No.:** **US D916,089 S**
(45) **Date of Patent:** **** Apr. 13, 2021**

(54) **CARD READER**

(71) Applicant: **Shopify Inc.**, Ottawa (CA)

(72) Inventors: **Michael Joseph DeFazio**, Fonthill (CA); **David Gervis Waddell**, Toronto (CA); **Darrin Henein**, Toronto (CA)

(73) Assignee: **Shopify Inc.**, Ottawa (CA)

(**) Term: **15 Years**

(21) Appl. No.: **29/741,457**

(22) Filed: **Jul. 13, 2020**

Related U.S. Application Data

(62) Division of application No. 29/646,783, filed on May 7, 2018, now Pat. No. Des. 893,482.

(51) **LOC (13) Cl.** **14-02**

(52) **U.S. Cl.**
USPC **D14/385**

(58) **Field of Classification Search**
USPC D18/4.4, 4.5, 4.6, 12, 12.1, 12.3;
D14/383, 384, 385, 386, 378, 420, 427,
D14/432-439, 447, 453; D13/107, 108,
D13/133, 146, 147, 152, 154, 156;
235/441, 451, 492, 380, 439, 375
CPC G06K 19/07749; G06K 19/0723; G06K
19/041; G06K 19/07758; G06K 19/0775;
G06K 19/07783; G06K 19/07794; G06K
19/06046; G06K 19/07722; G06K
19/07773; G06K 19/07779; G06K
19/07784; G06K 19/07786; G06K
19/0709

See application file for complete search history.

(56) **References Cited**

U.S. PATENT DOCUMENTS

D515,574 S * 2/2006 Colburn D14/383
D549,708 S * 8/2007 Phillips D14/435
D580,438 S * 11/2008 Kuchler D14/385

D648,374 S * 11/2011 Hidaka D18/12
D656,151 S * 3/2012 Maus D14/385
D682,273 S * 5/2013 Taunay da Graca Cuoto
D14/385
D716,370 S * 10/2014 Park D18/4.6
D751,076 S * 3/2016 Buessler D14/385

(Continued)

OTHER PUBLICATIONS

U.S. Appl. No. 29/646,783, filed May 7, 2018, Pending, Michael Joseph DeFazio et al.

Primary Examiner — Austin Murphy

(74) *Attorney, Agent, or Firm* — GTC Law Group PC & Affiliates

(57) **CLAIM**

The ornamental design for a card reader, as shown.

DESCRIPTION

FIG. 1 is a top, front, right perspective view of the base portion according to a second embodiment of the new design;

FIG. 2 is a bottom, front, right perspective view of the base portion according to a second embodiment of the new design;

FIG. 3 is a front view of the base portion according to a second embodiment of the new design;

FIG. 4 is a right view of the base portion according to a second embodiment of the new design;

FIG. 5 is a rear view of the base portion according to a second embodiment of the new design;

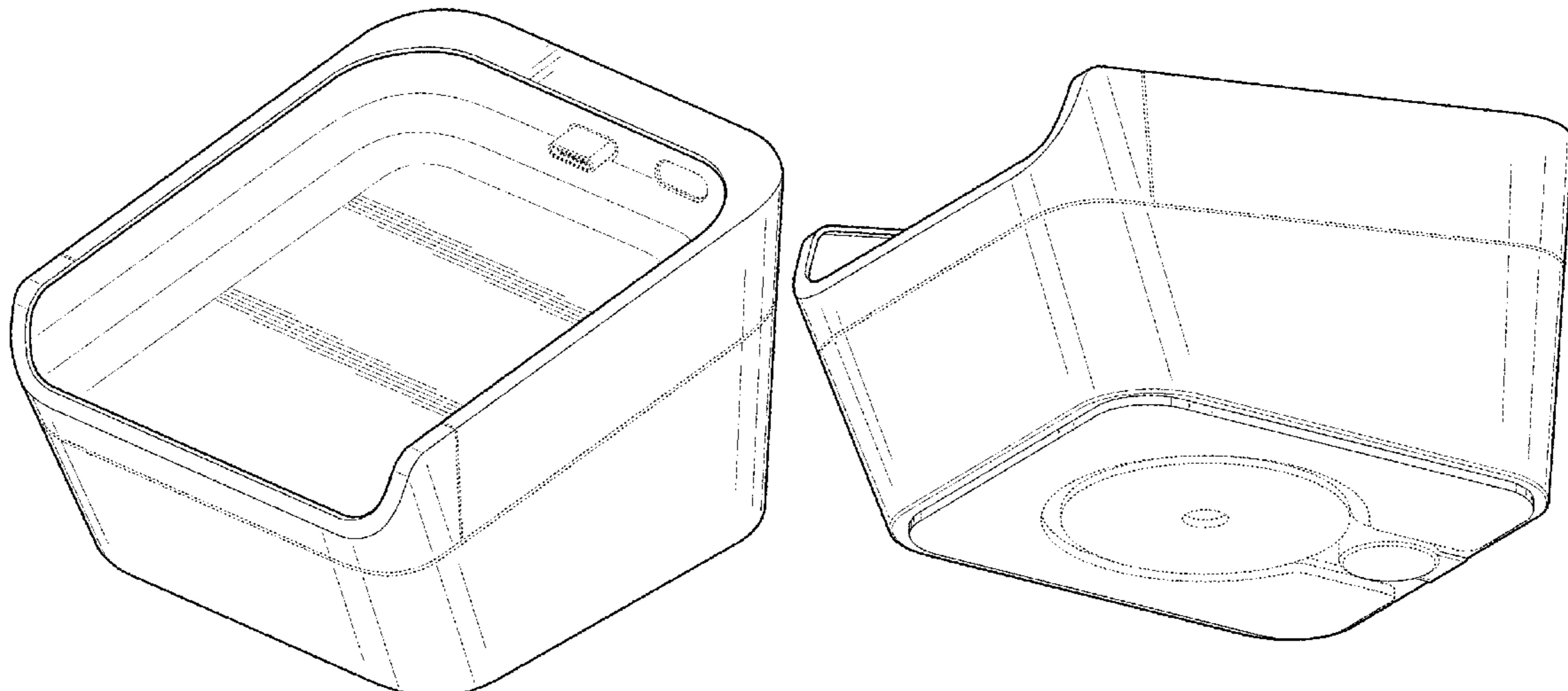
FIG. 6 is a left view of the base portion according to a second embodiment of the new design;

FIG. 7 is a top view of the base portion according to a second embodiment of the new design; and,

FIG. 8 is a bottom view of the base portion according to a second embodiment of the new design.

The broken lines in FIGS. 1-8 are for environmental purposes only and form no part of the claimed design.

1 Claim, 4 Drawing Sheets



(56)

References Cited

U.S. PATENT DOCUMENTS

D791,133	S	*	7/2017	Brownlee	D14/384
D804,568	S	*	12/2017	Kessler	D18/4.6
D812,616	S	*	3/2018	Potash	D14/383
D822,021	S		7/2018	Huff		
D822,023	S		7/2018	Huff		
10,181,240	B2	*	1/2019	Fujimoto	G07G 1/0018
D844,606	S	*	4/2019	Howell	D14/384
D861,684	S		10/2019	Chen et al.		
D861,685	S		10/2019	Wang et al.		
D893,482	S	*	8/2020	DeFazio	D14/385
D902,208	S	*	11/2020	Karlsson	D14/387
D905,058	S	*	12/2020	Chen	D14/385

* cited by examiner

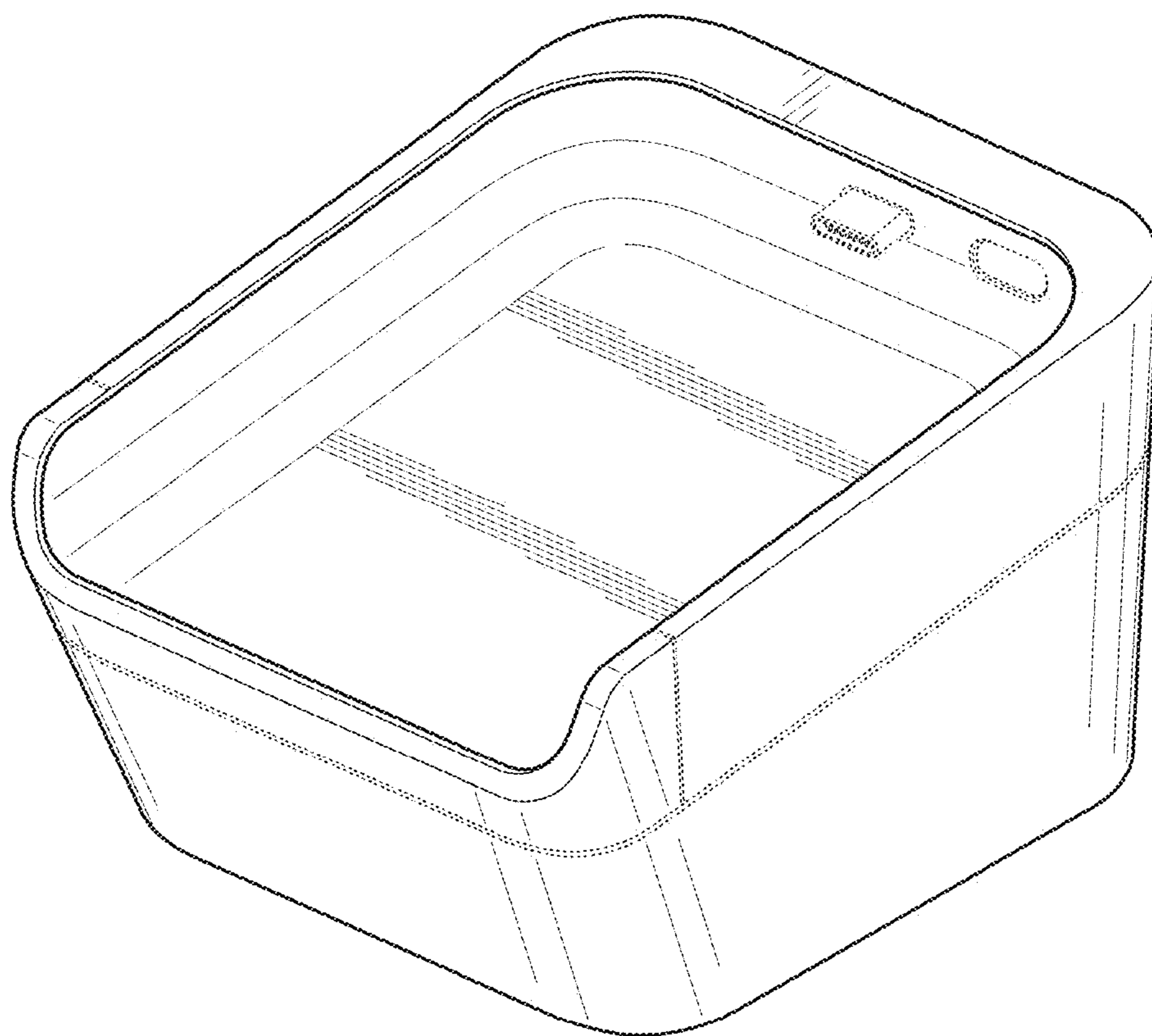


FIG. 1

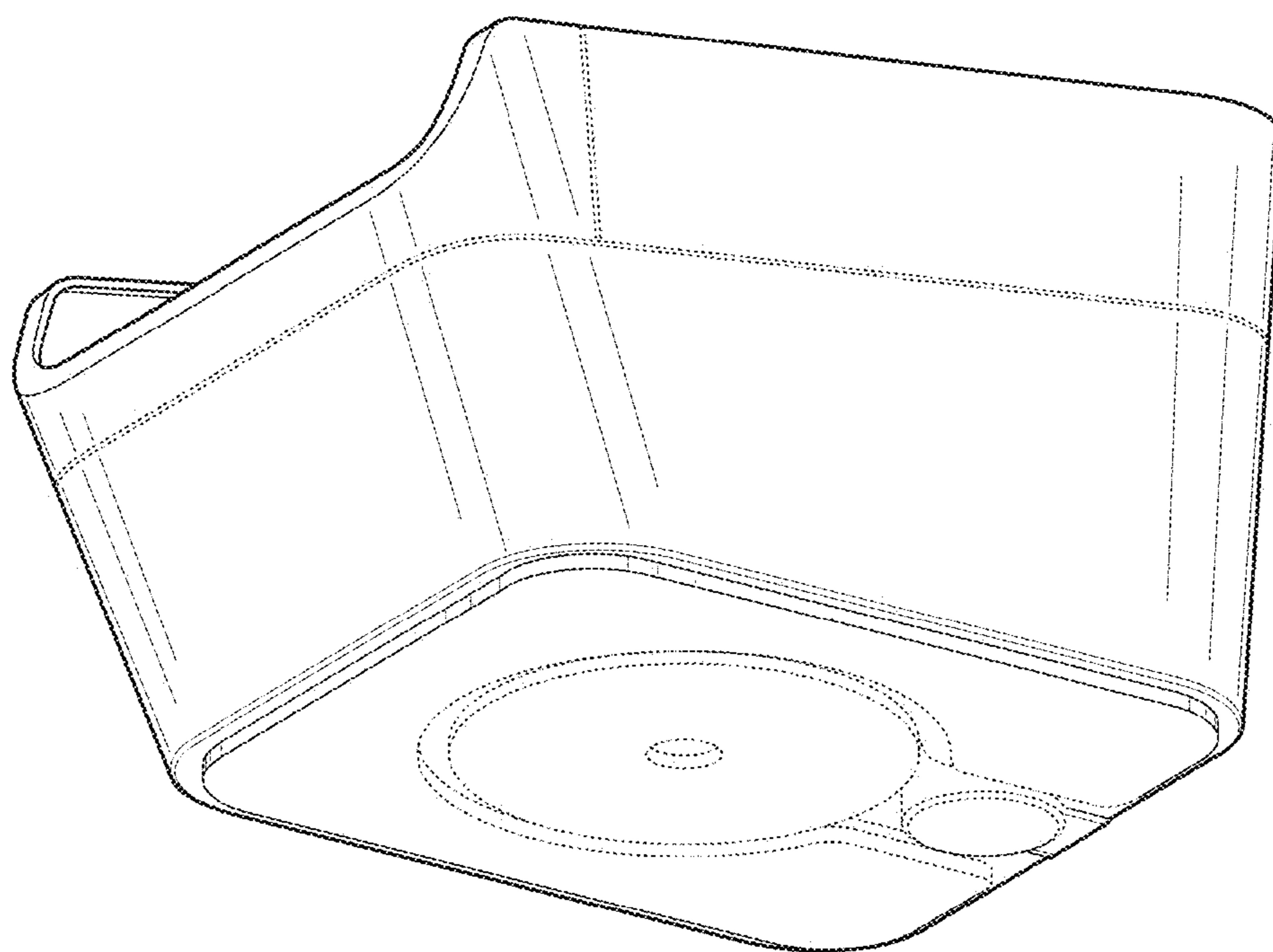


FIG. 2

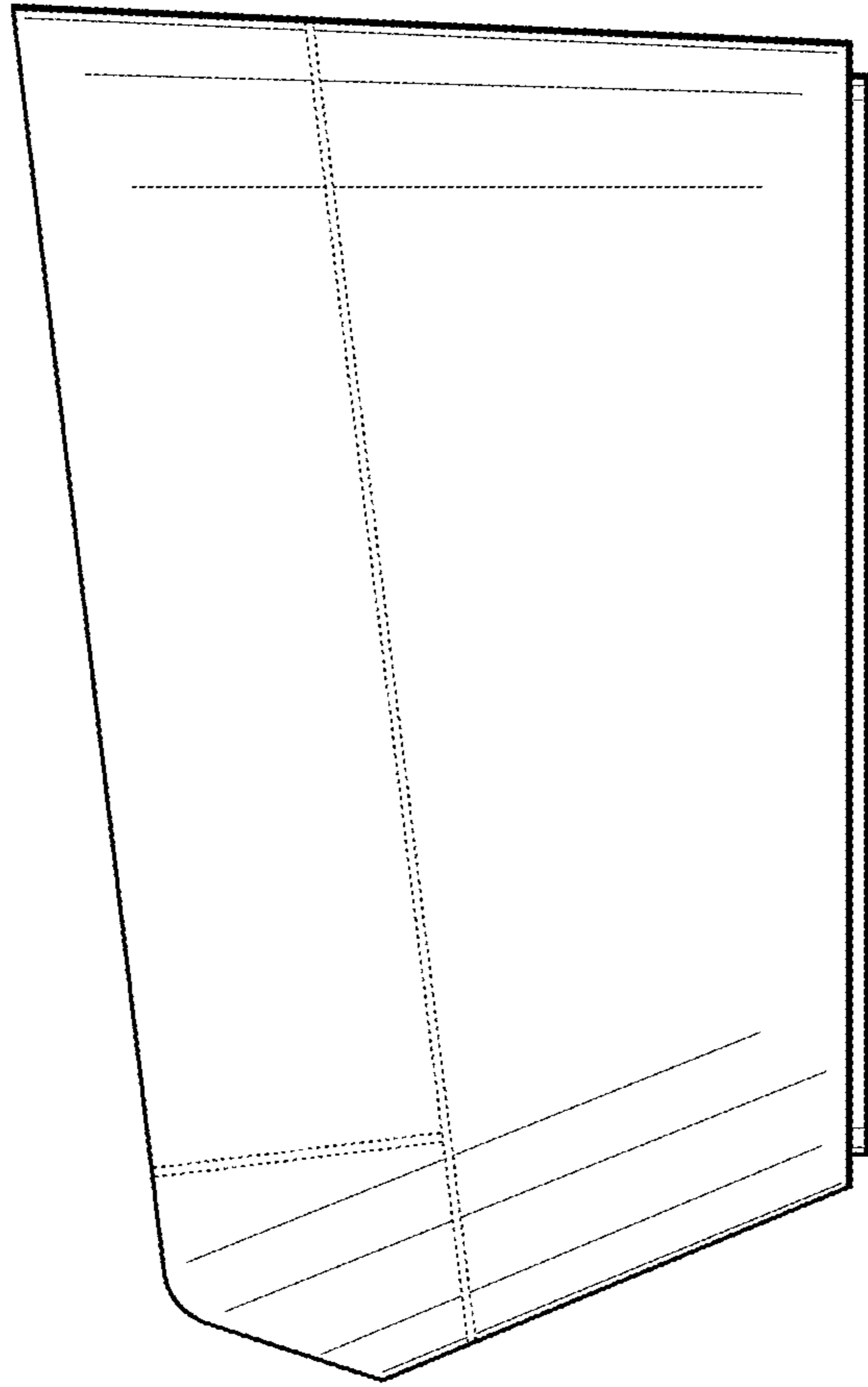


FIG. 3

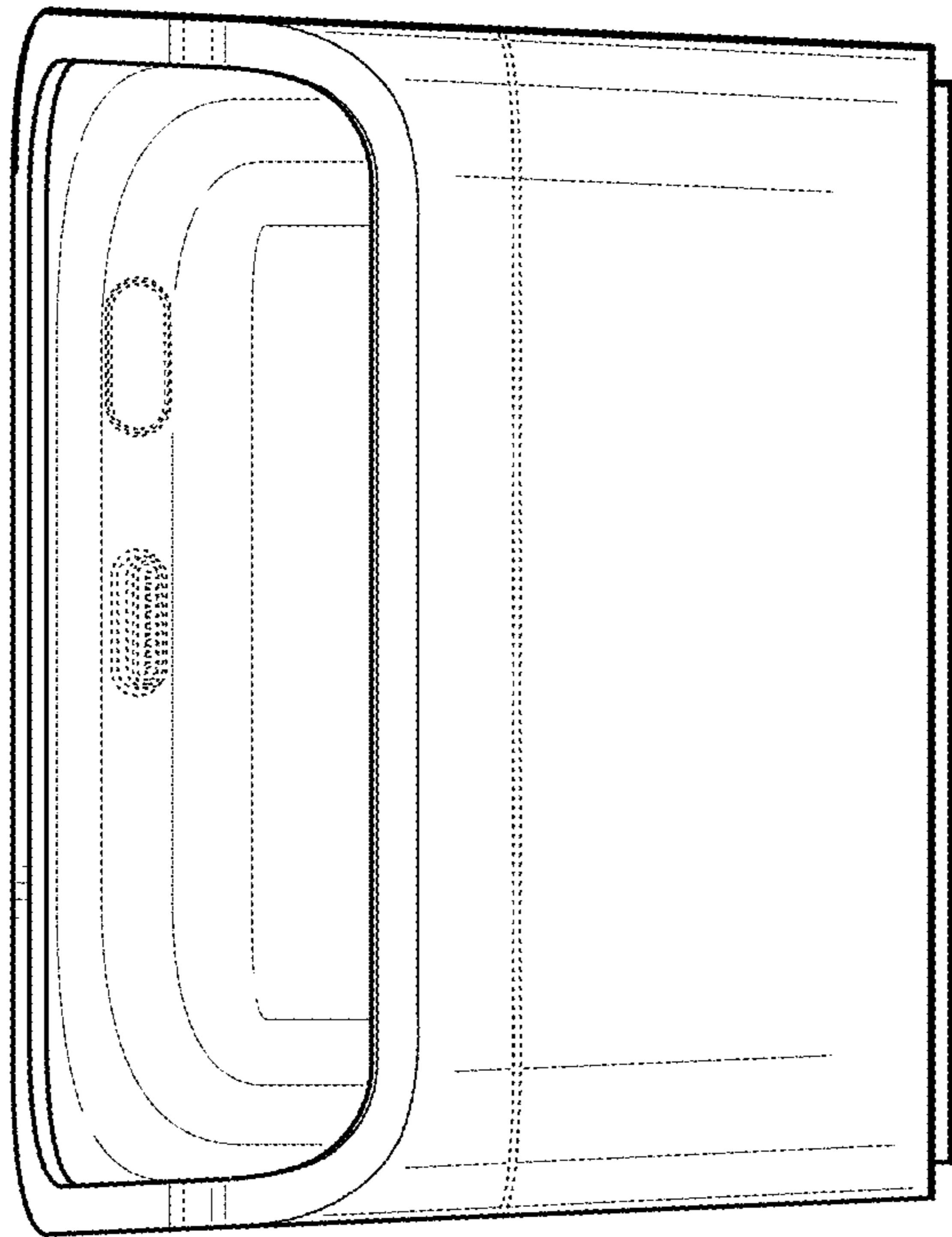


FIG. 4

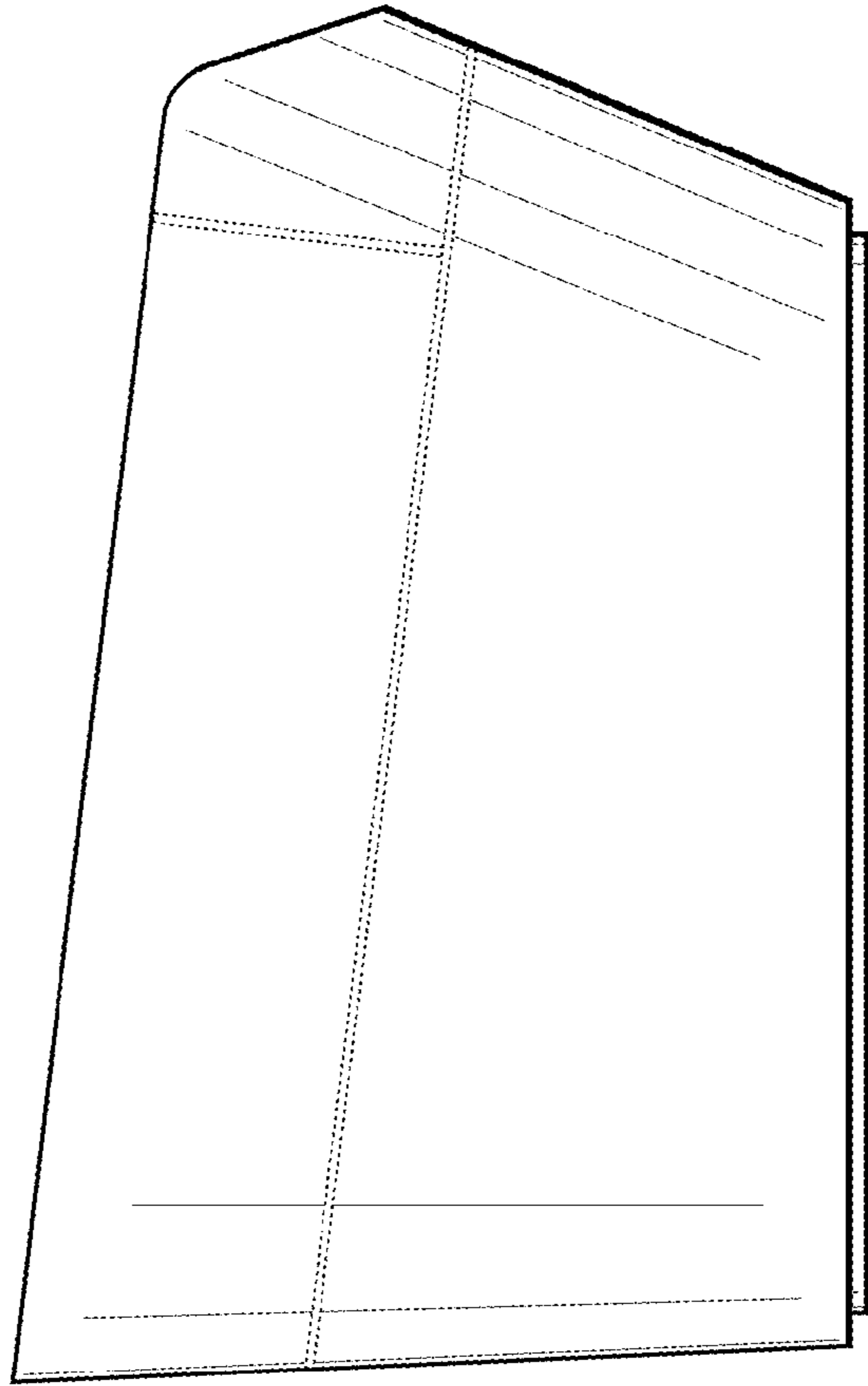


FIG. 6

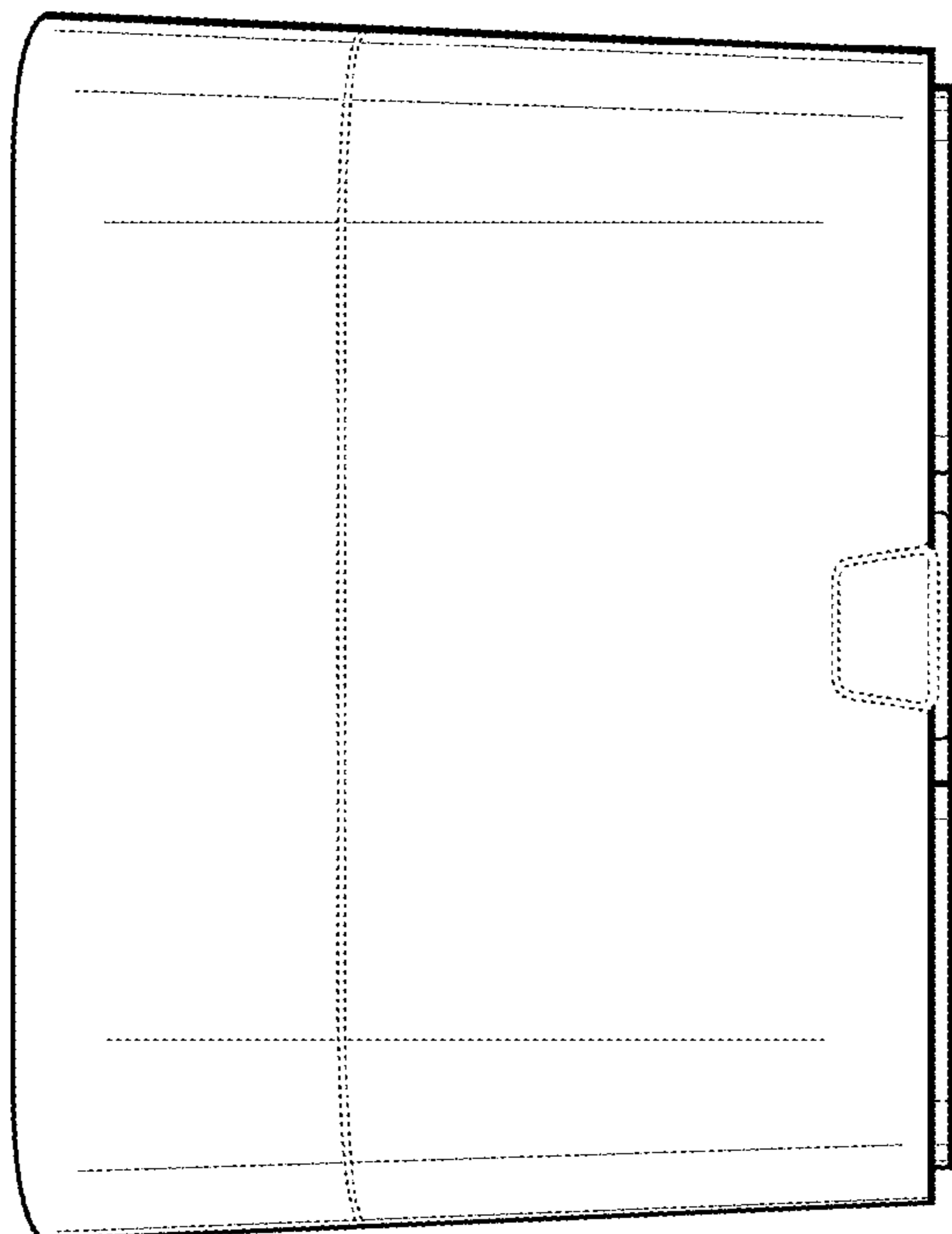


FIG. 5

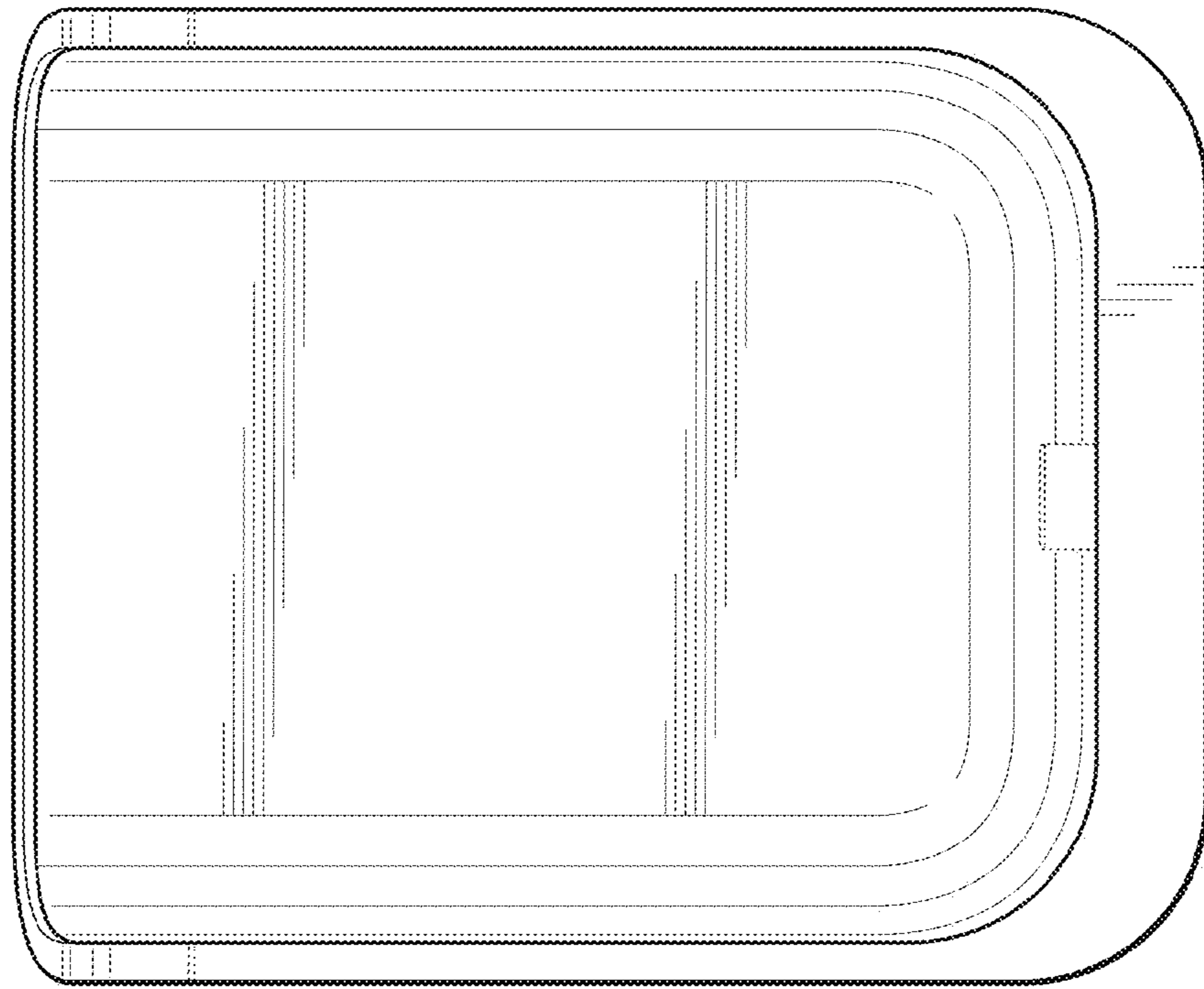


FIG. 7

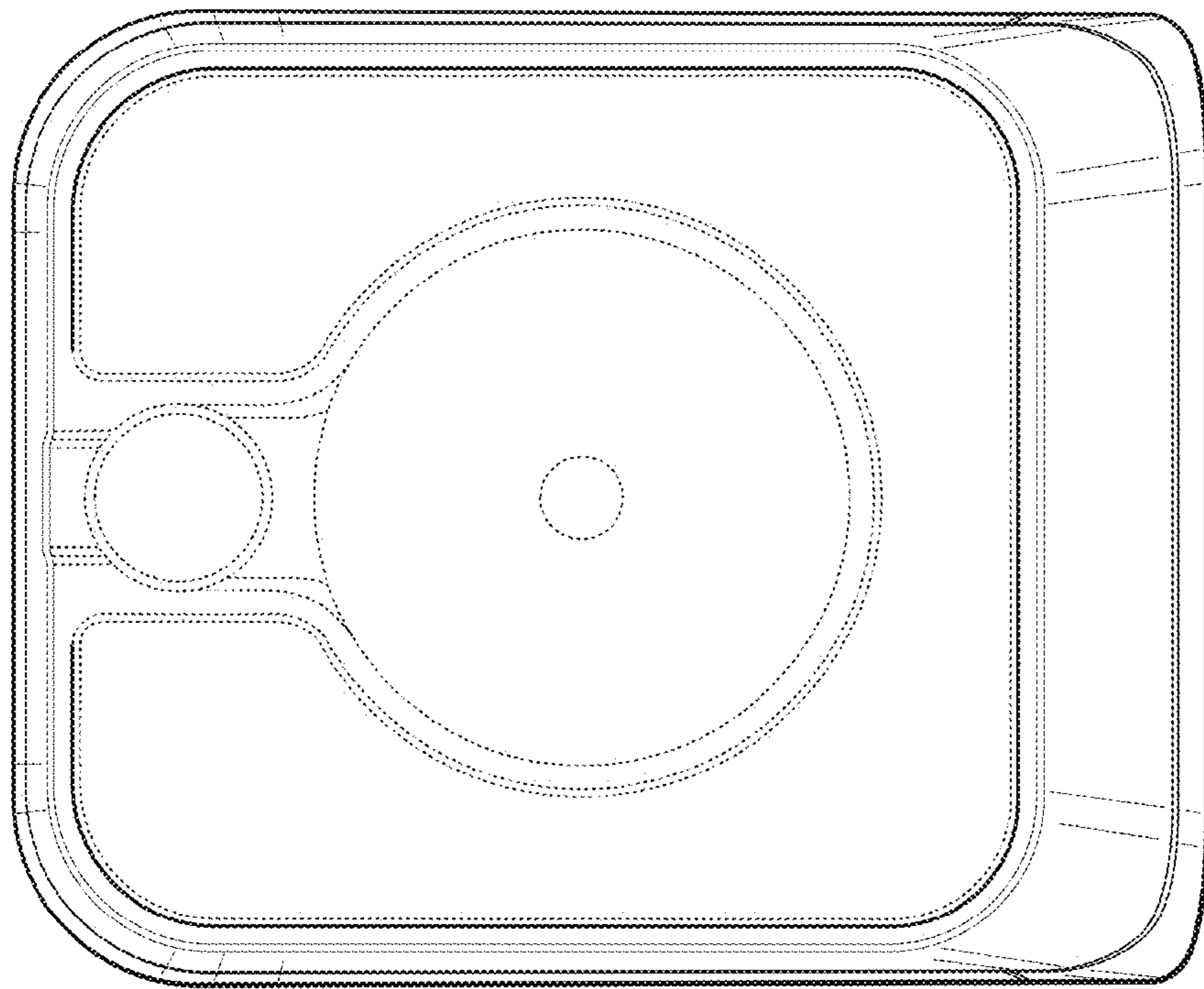


FIG. 8