



US00D916085S

(12) **United States Design Patent**  
**Yuan**

(10) **Patent No.:** **US D916,085 S**  
(45) **Date of Patent:** **\*\* Apr. 13, 2021**

(54) **NEAR EYE DISPLAY WITH FOLDABLE LENSES AND FOLDABLE ARMS**

(71) Applicant: **Sheng Yuan**, San Jose, CA (US)

(72) Inventor: **Sheng Yuan**, San Jose, CA (US)

(73) Assignee: **Sheng Yuan**, San Jose, CA (US)

(\*\*) Term: **15 Years**

(21) Appl. No.: **29/715,261**

(22) Filed: **Nov. 29, 2019**

(51) **LOC (13) Cl.** ..... **14-02**

(52) **U.S. Cl.**  
USPC ..... **D14/372**

(58) **Field of Classification Search**  
USPC ..... D14/372, 496, 432, 371, 125, 126, 129,  
D14/299; D16/300-342; 351/158, 153,  
(Continued)

(56) **References Cited**

U.S. PATENT DOCUMENTS

D807,358 S \* 1/2018 Huang ..... D14/372  
D859,403 S \* 9/2019 Reed ..... D14/372

(Continued)

*Primary Examiner* — Austin Murphy

(57) **CLAIM**

The ornamental design for a near eye display with foldable lenses and arms, as shown and described.

**DESCRIPTION**

FIG. 1 to FIG. 10 described a near eye display in its unfolded status, of which  
FIG. 1 is a front top right perspective view of a near eye display, in its unfolded status;  
FIG. 2 is a rear left bottom perspective view of the unfolded near eye display thereof;

FIG. 3 is a rear right bottom perspective view of the unfolded near eye display thereof;  
FIG. 4 is a front elevational view of the unfolded near eye display thereof;  
FIG. 5 is a rear elevational view of the unfolded near eye display thereof;  
FIG. 6 is a top plan view of the unfolded near eye display thereof;  
FIG. 7 is a bottom plan view of the unfolded near eye display thereof;  
FIG. 8 is a right elevational view of the unfolded near eye display; and,  
FIG. 9 is a left elevational view of the unfolded near eye display thereof.  
FIG. 10 to FIG. 15 described the near eye display with its lenses folded, of which  
FIG. 10 is right elevational view of the near eye display, with the lenses folded;  
FIG. 11 is a rear left bottom perspective view with the lenses folded thereof;  
FIG. 12 is a rear right bottom perspective view with the lenses folded thereof;  
FIG. 13 is front elevational view with the lenses folded thereof; and,  
FIG. 14 is a front top right perspective view with the lenses folded thereof.  
FIG. 15 to FIG. 20 described the near eye display with its arms folded, of which  
FIG. 15 is a right elevational view of the near eye display, with the arms folded;  
FIG. 16 is a rear elevational view with the arms folded thereof;  
FIG. 17 is a rear left bottom perspective view with the arms folded thereof;  
FIG. 18 is a front top right perspective view with the arms folded thereof;  
FIG. 19 is a front elevational view with the arms folded thereof; and,  
FIG. 20 is a top plan view with the arms folded thereof.  
FIG. 21 to FIG. 26 described the near eye display with both its lenses and arms folded, of which  
FIG. 21 is a right elevational view of the near eye display, with both of its lenses and arms folded;

(Continued)

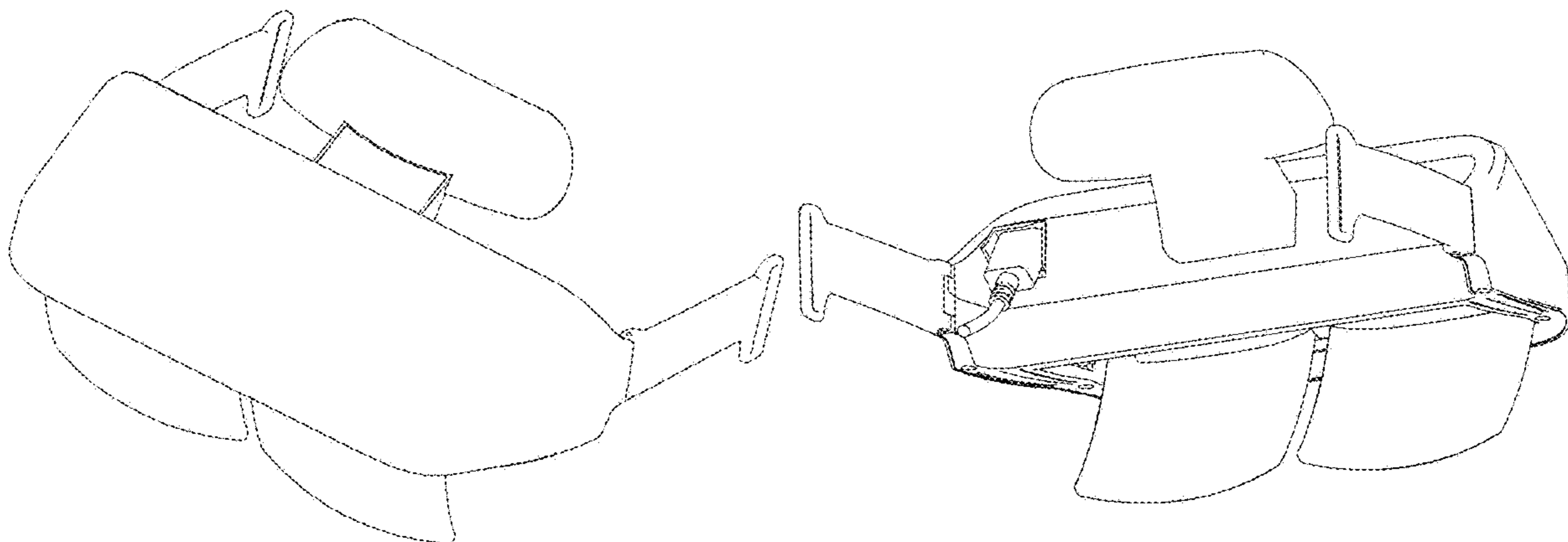


FIG. 22 is a rear right bottom perspective view with both lenses and arms folded thereof;  
FIG. 23 is a rear left bottom perspective view with both lenses and arms folded thereof;  
FIG. 24 is a front top right perspective view with both lenses and arms folded thereof;  
FIG. 25 is a bottom plan view with both lenses and arms folded thereof; and,  
FIG. 26 is a rear elevational view with both lenses and arms folded thereof.

**1 Claim, 26 Drawing Sheets**

(58) **Field of Classification Search**

USPC ..... 351/144; 345/7-9, 905; 455/344;  
348/115, 53, 121, 739  
CPC ..... G02B 27/017; G02B 27/0158; G02B  
27/0161; G02B 27/0181; G02B 27/0185;  
G02B 27/0189

See application file for complete search history.

(56)

**References Cited**

U.S. PATENT DOCUMENTS

D861,683	S	*	10/2019	Chou	.....	D14/372
D862,468	S	*	10/2019	Chen	.....	D14/372
D872,079	S	*	1/2020	Huang	.....	D14/372
D872,082	S	*	1/2020	Denhez	.....	D14/372
D872,084	S	*	1/2020	Reed	.....	D14/372
D874,459	S	*	2/2020	Limaye	.....	D14/372
D880,476	S	*	4/2020	Chen	.....	D14/372
D881,189	S	*	4/2020	Moon	.....	D14/372
D881,878	S	*	4/2020	Lau	.....	D14/372
D881,881	S	*	4/2020	Reed	.....	D14/372
D882,569	S	*	4/2020	Tsao	.....	D14/372
D887,408	S	*	6/2020	Green	.....	D14/372
D889,462	S	*	7/2020	Hu	.....	D14/372
D900,097	S	*	10/2020	Wang	.....	D14/372
D900,098	S	*	10/2020	Wang	.....	D14/372
D900,099	S	*	10/2020	Park	.....	D14/372

\* cited by examiner

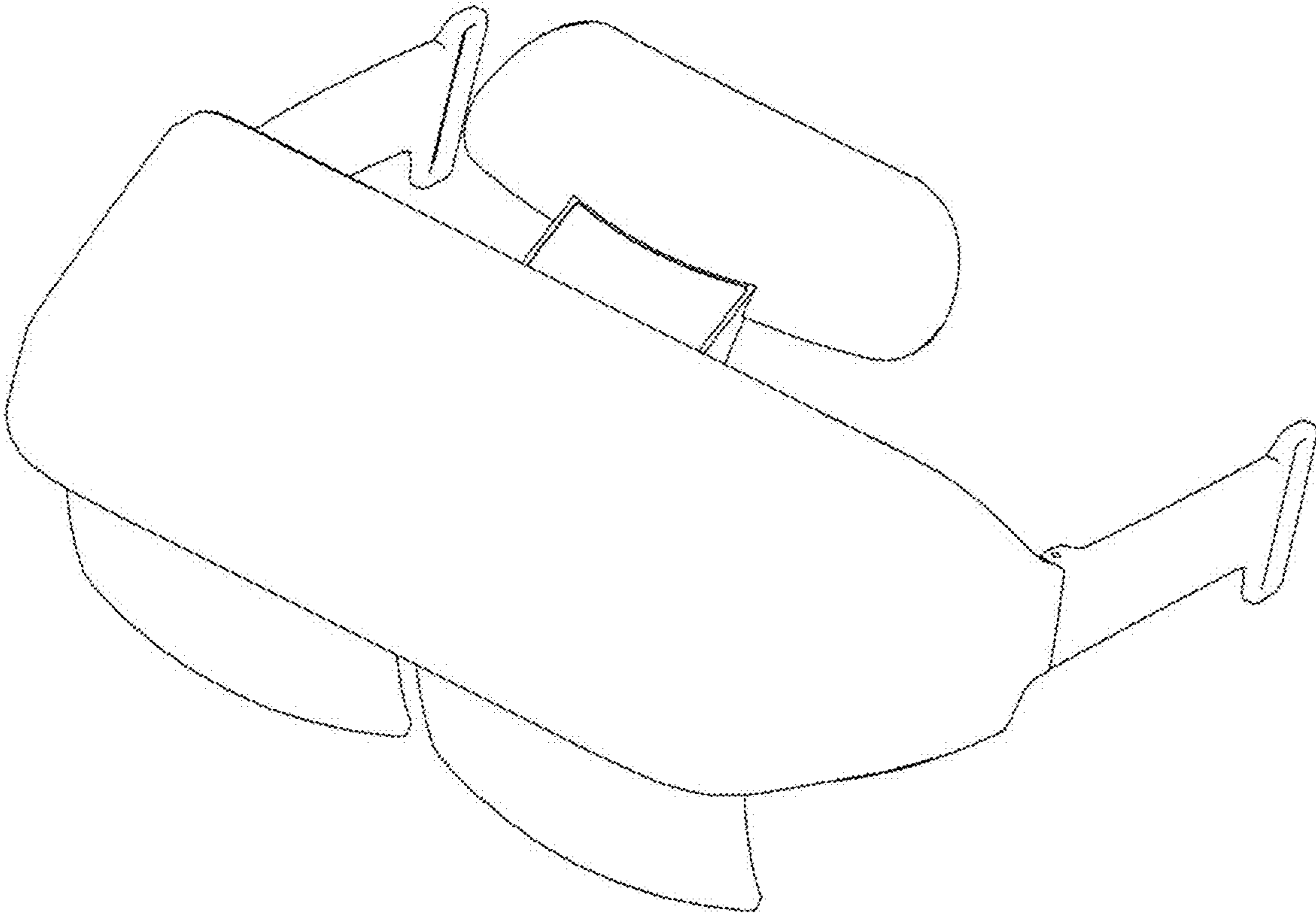


FIG. 1

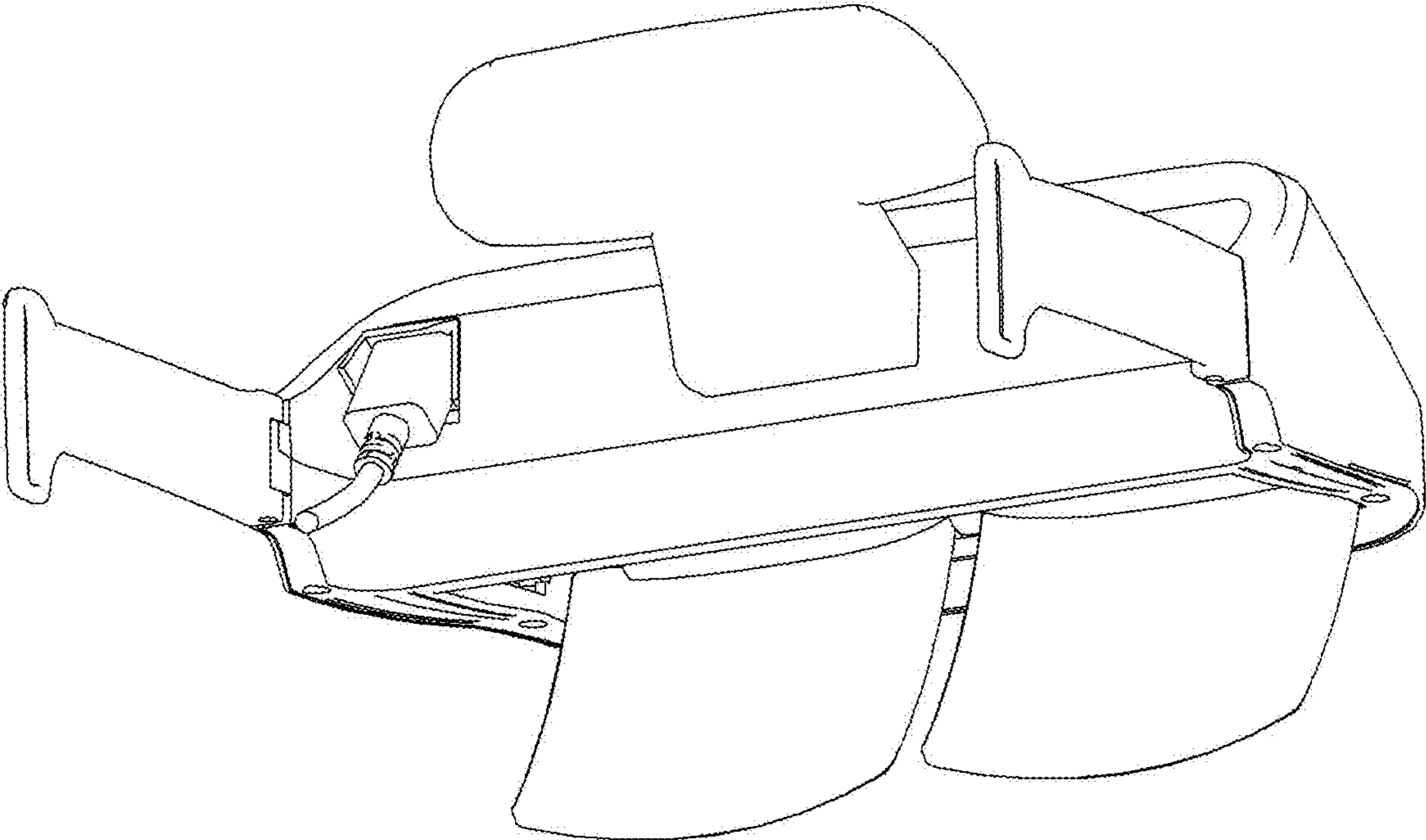


FIG. 2

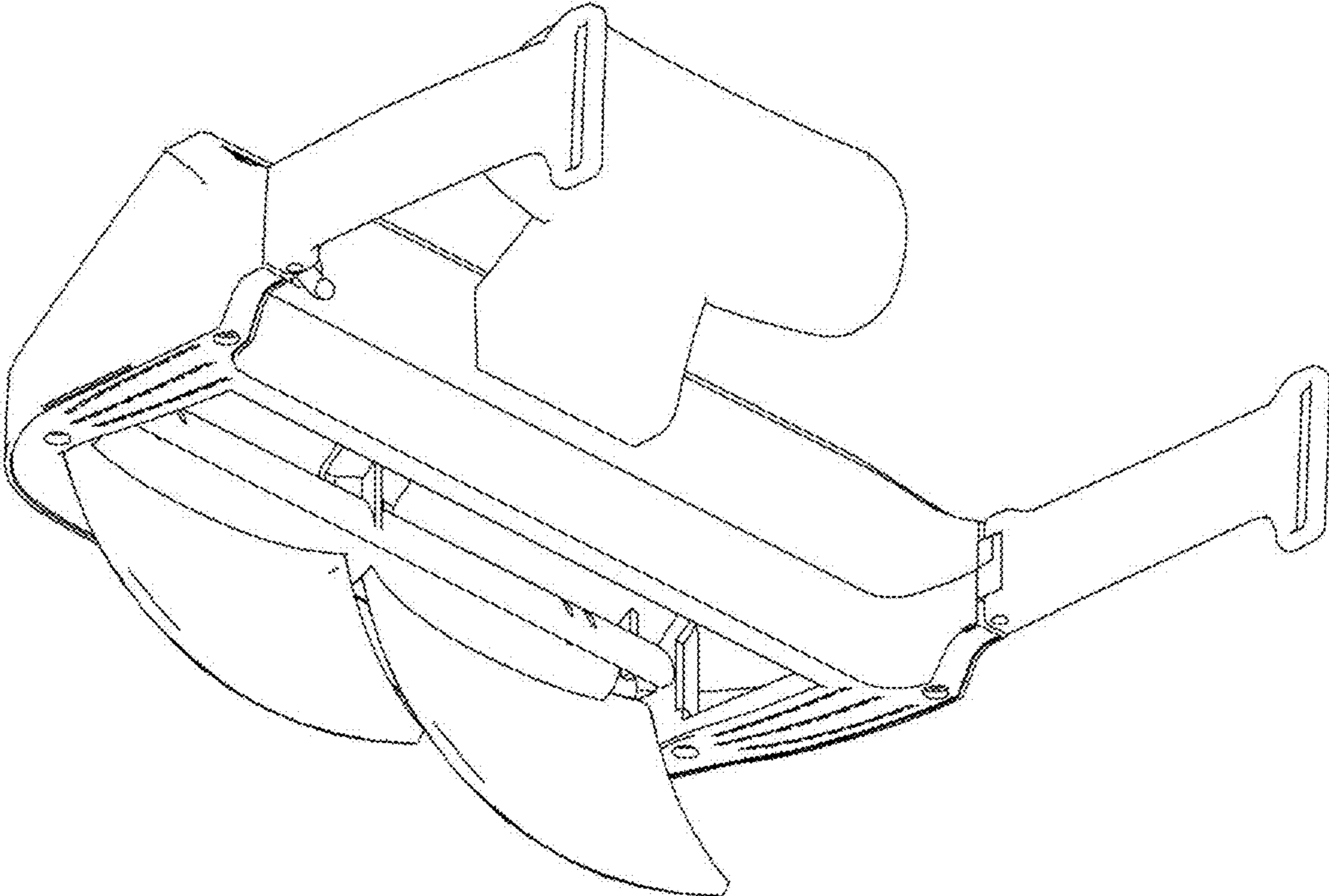


FIG. 3

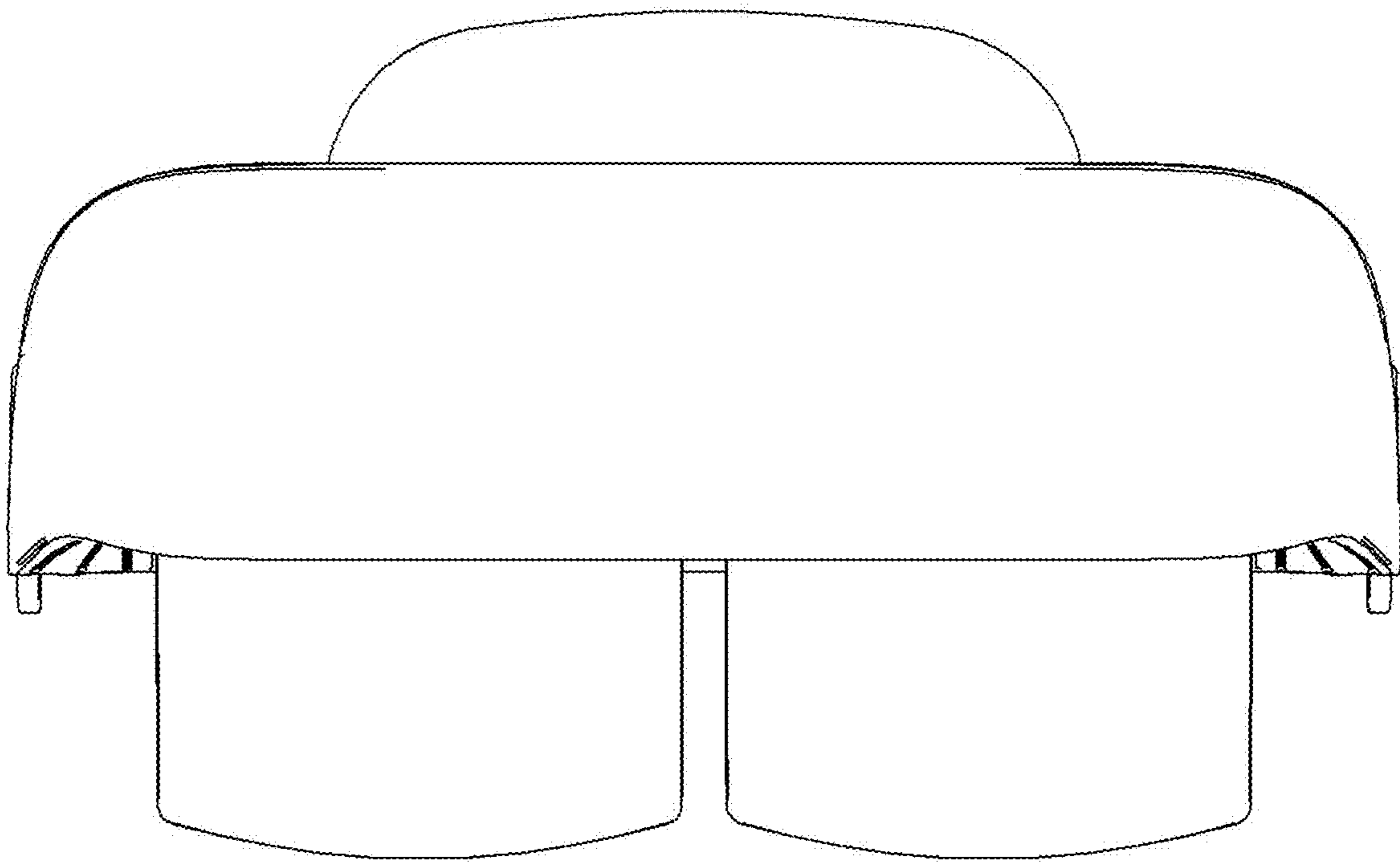


FIG. 4

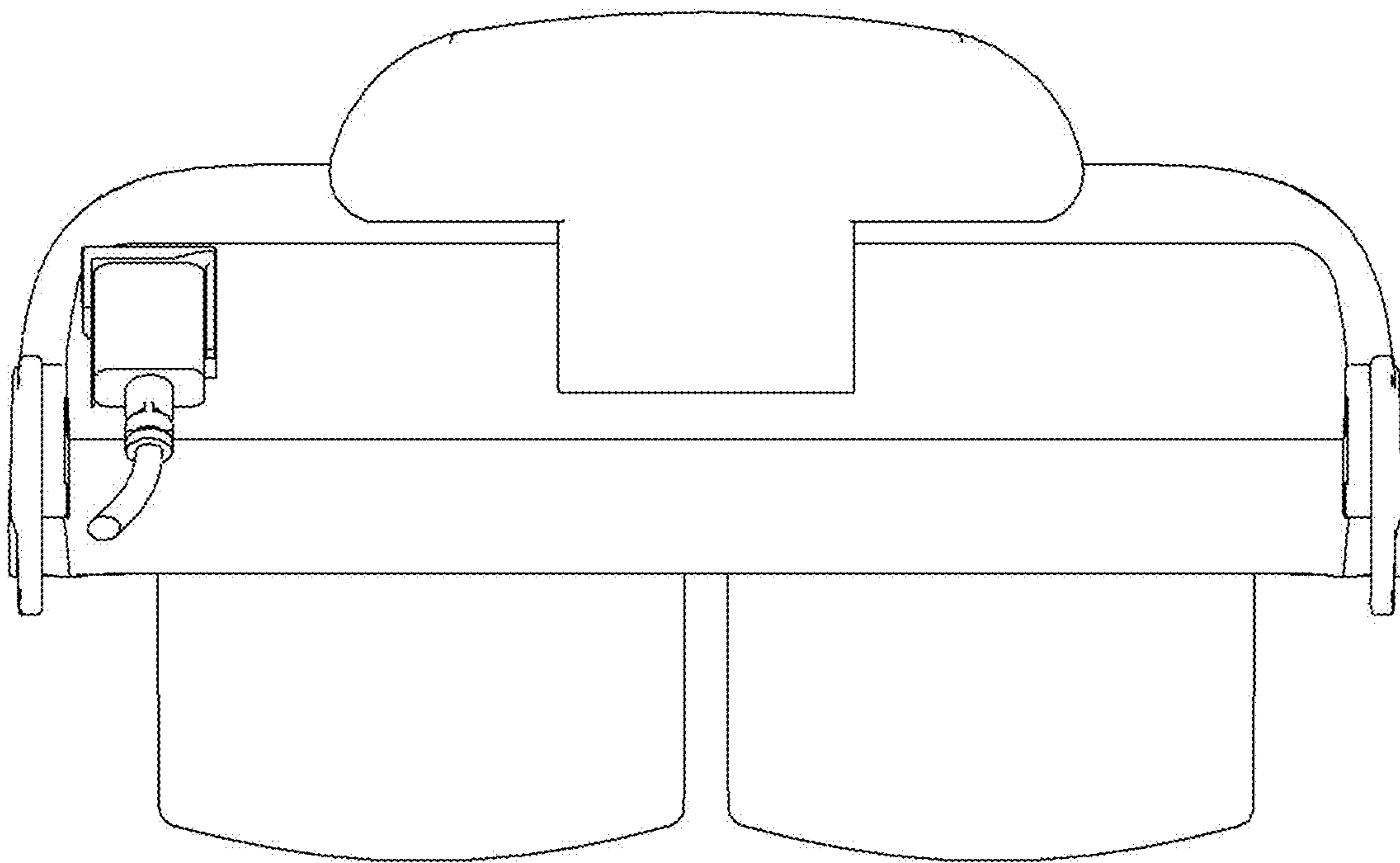


FIG. 5

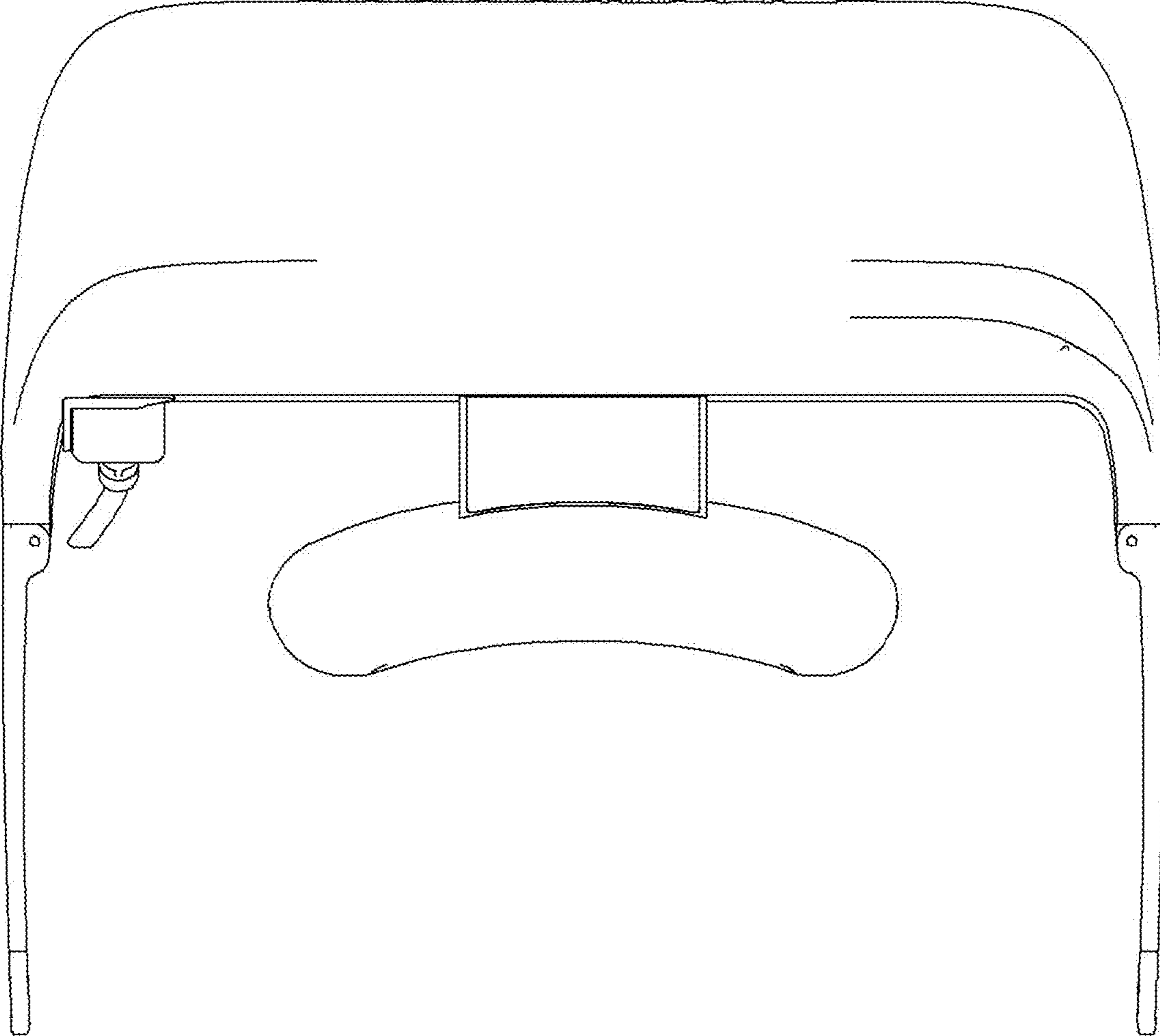


FIG. 6



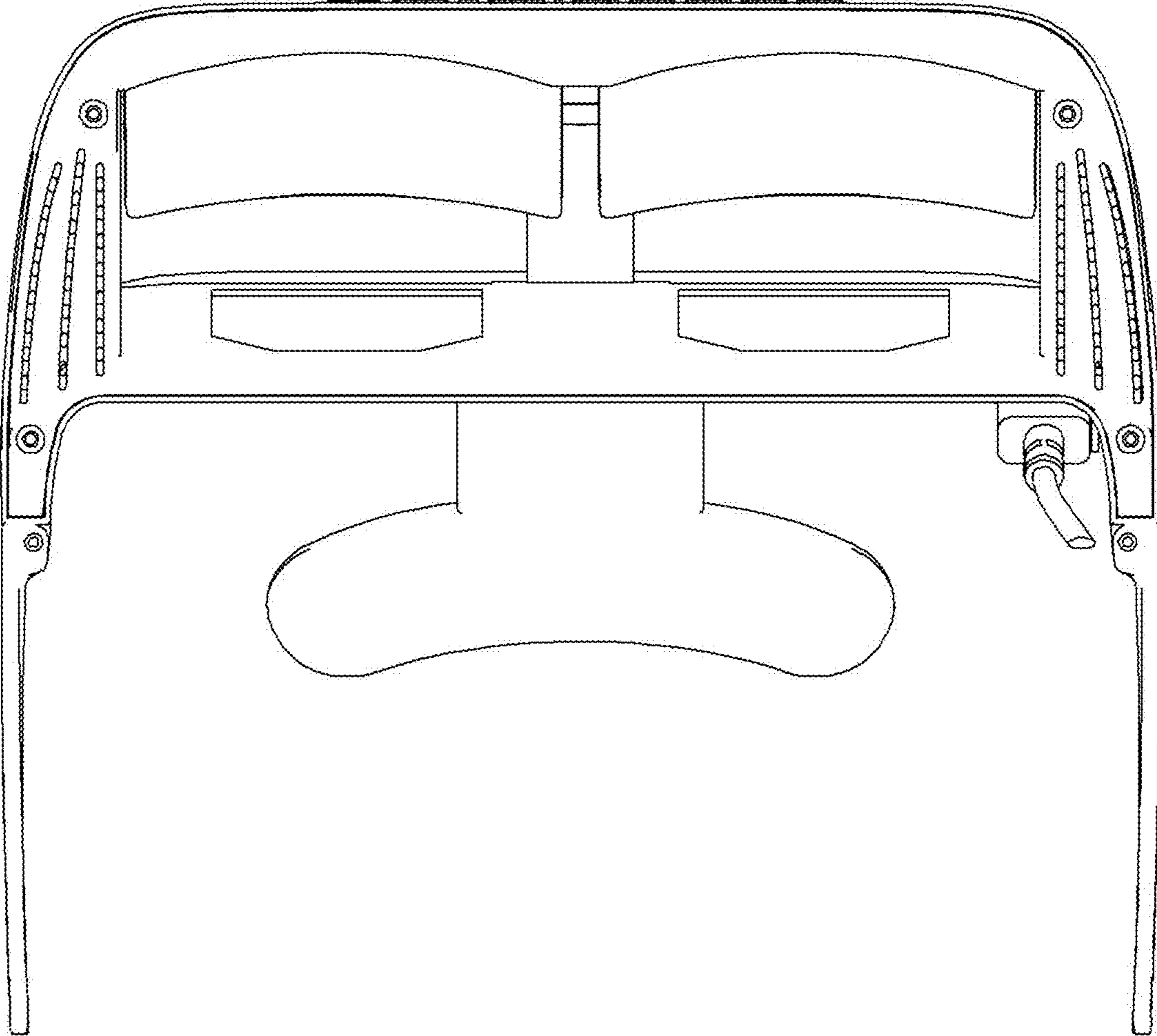


FIG. 7

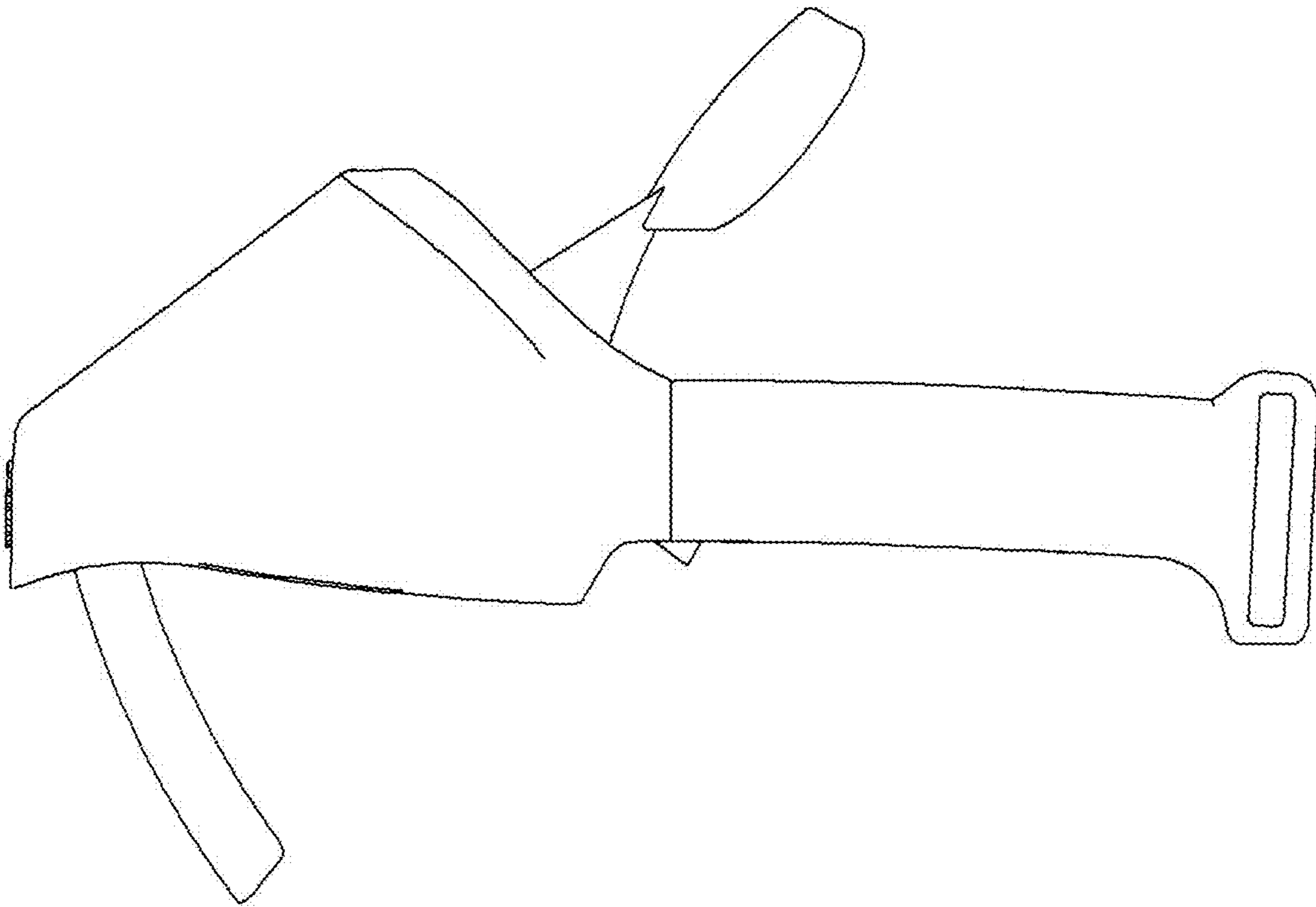


FIG. 8

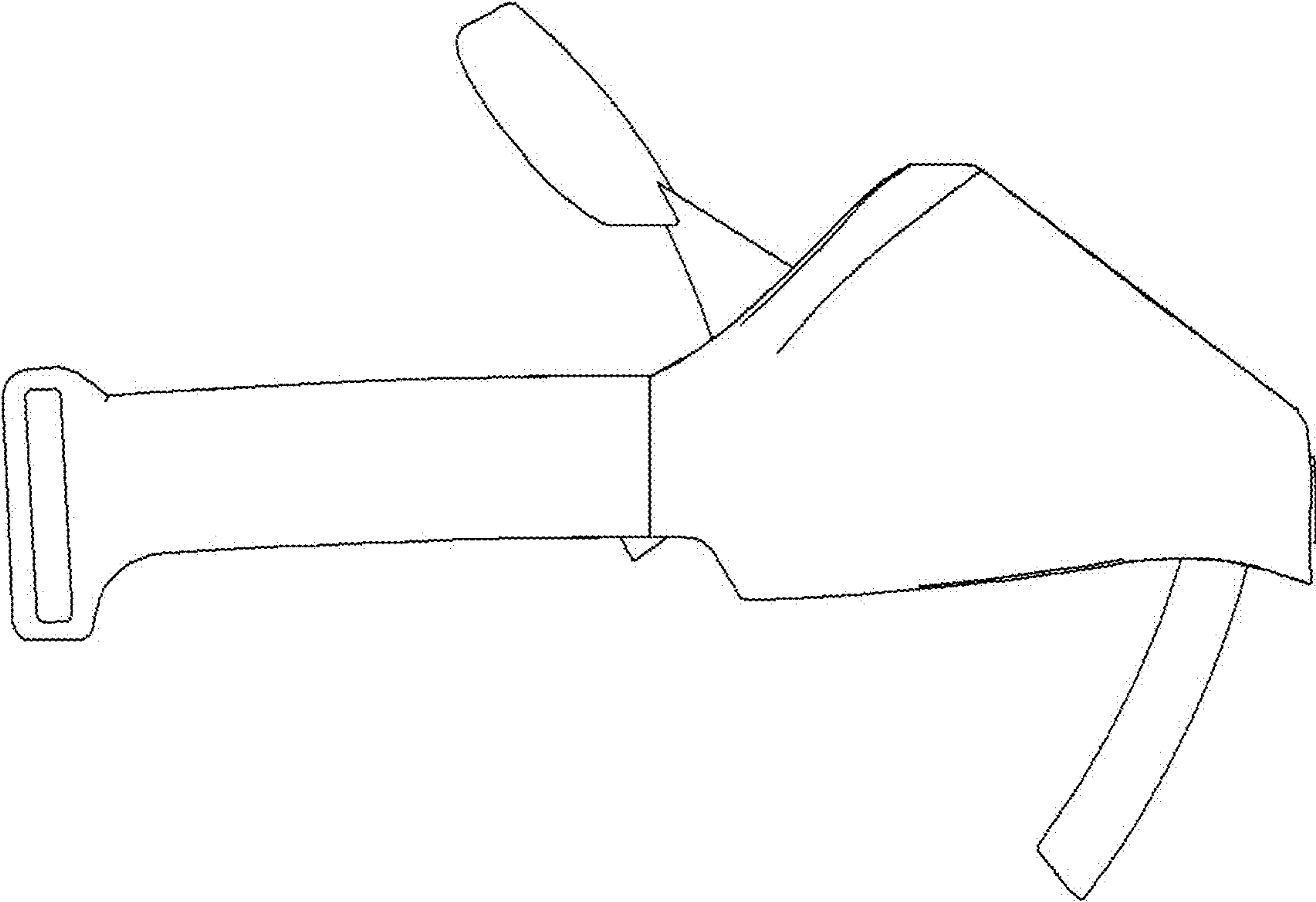


FIG. 9

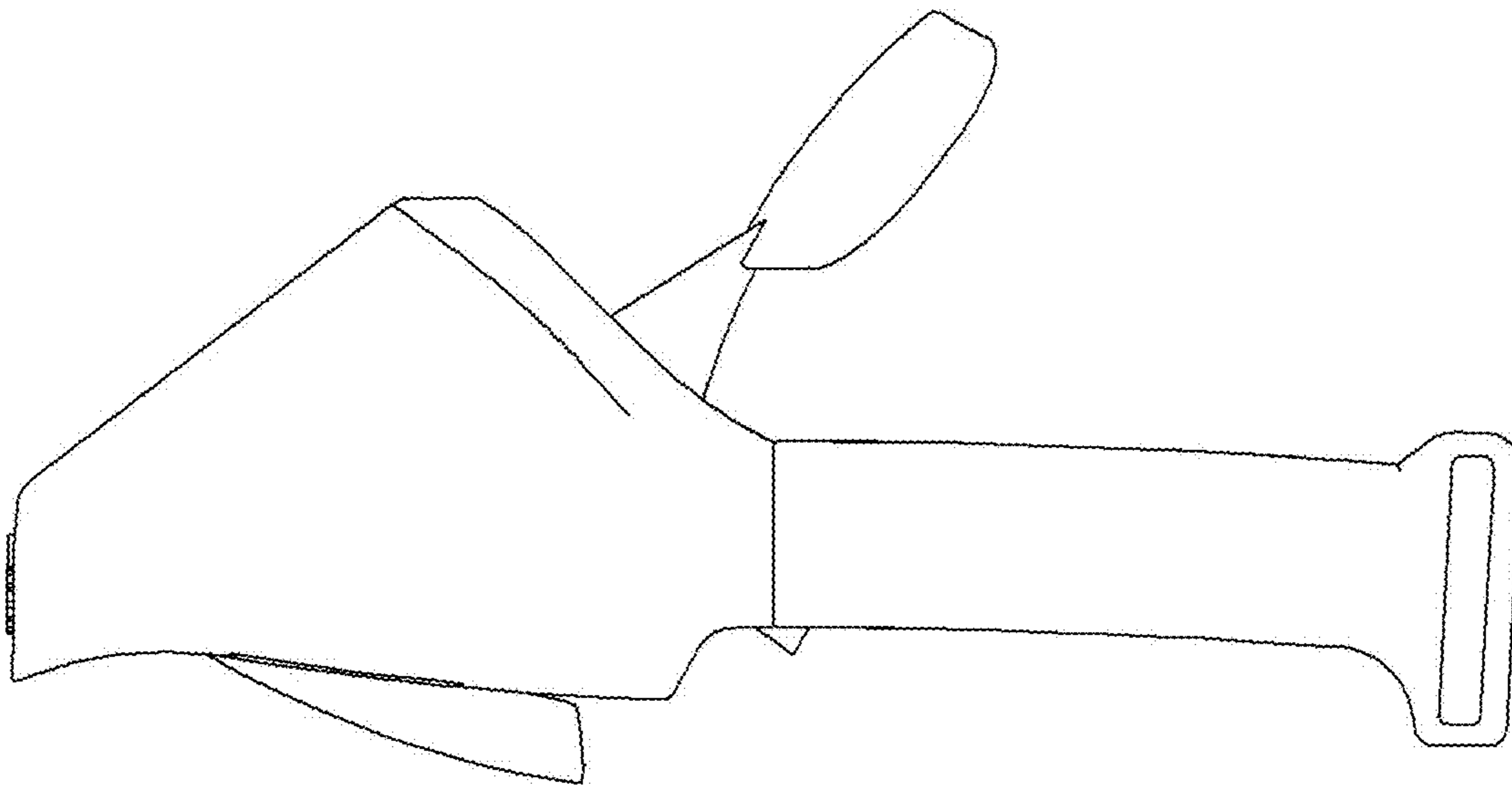


FIG. 10

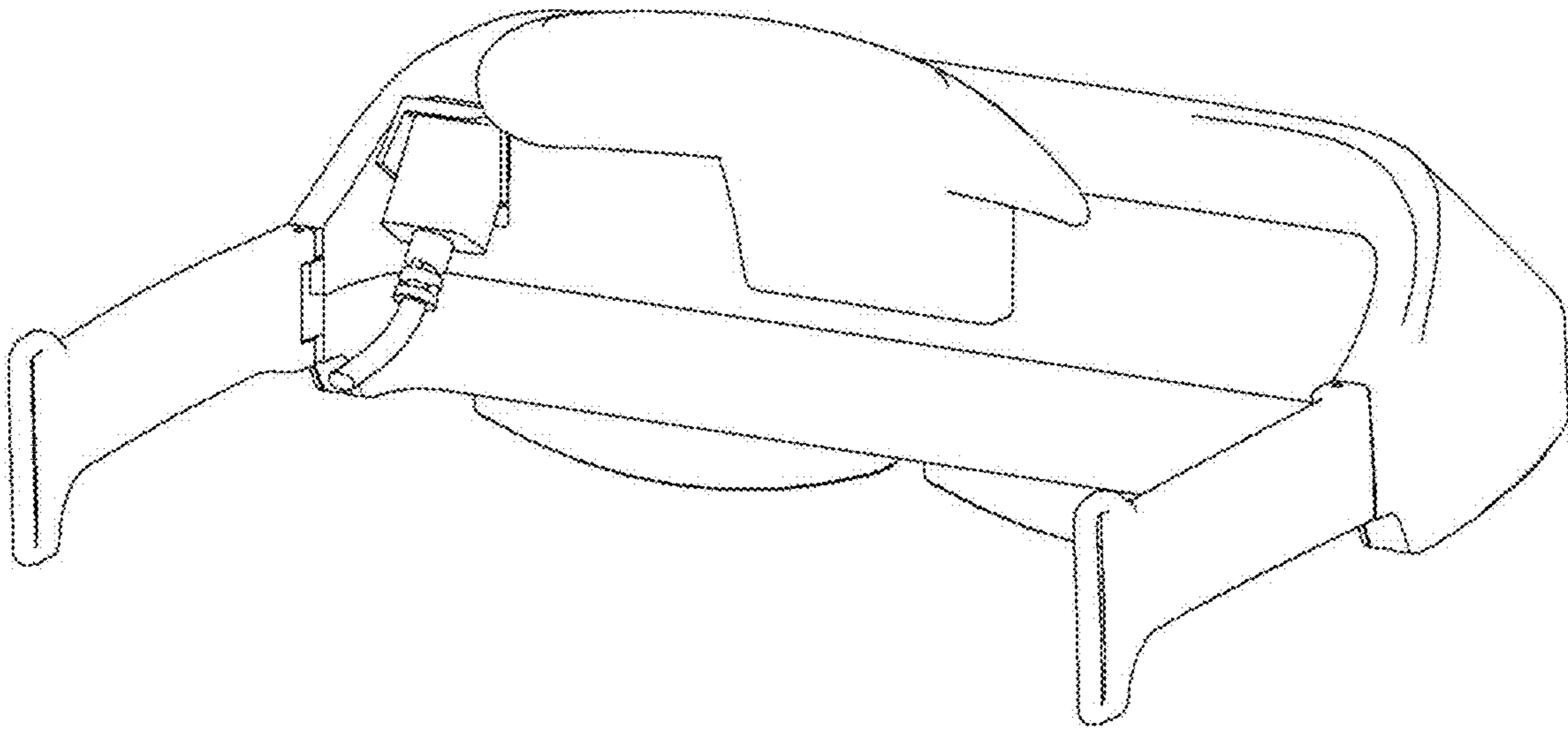


FIG. 11

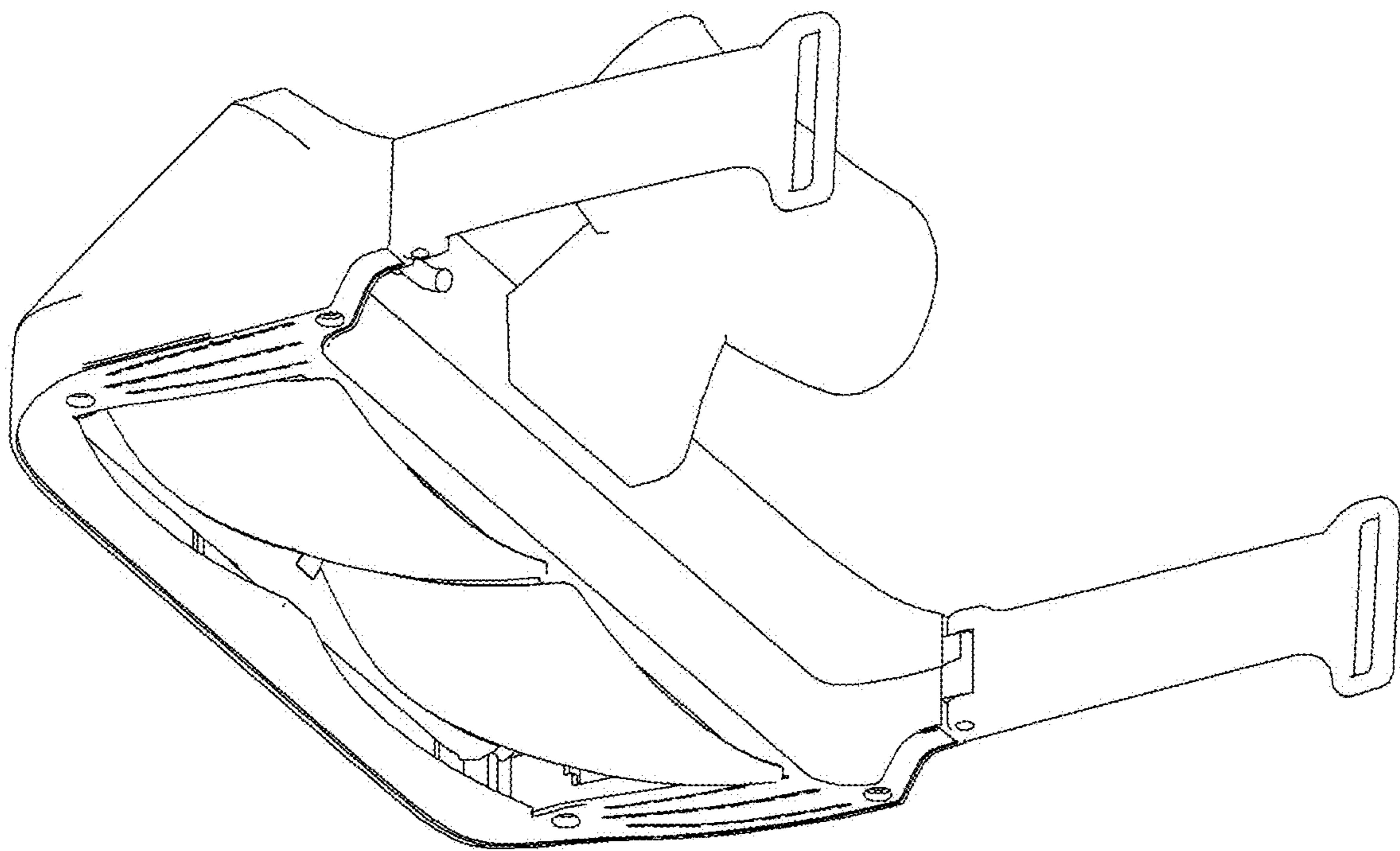


FIG. 12

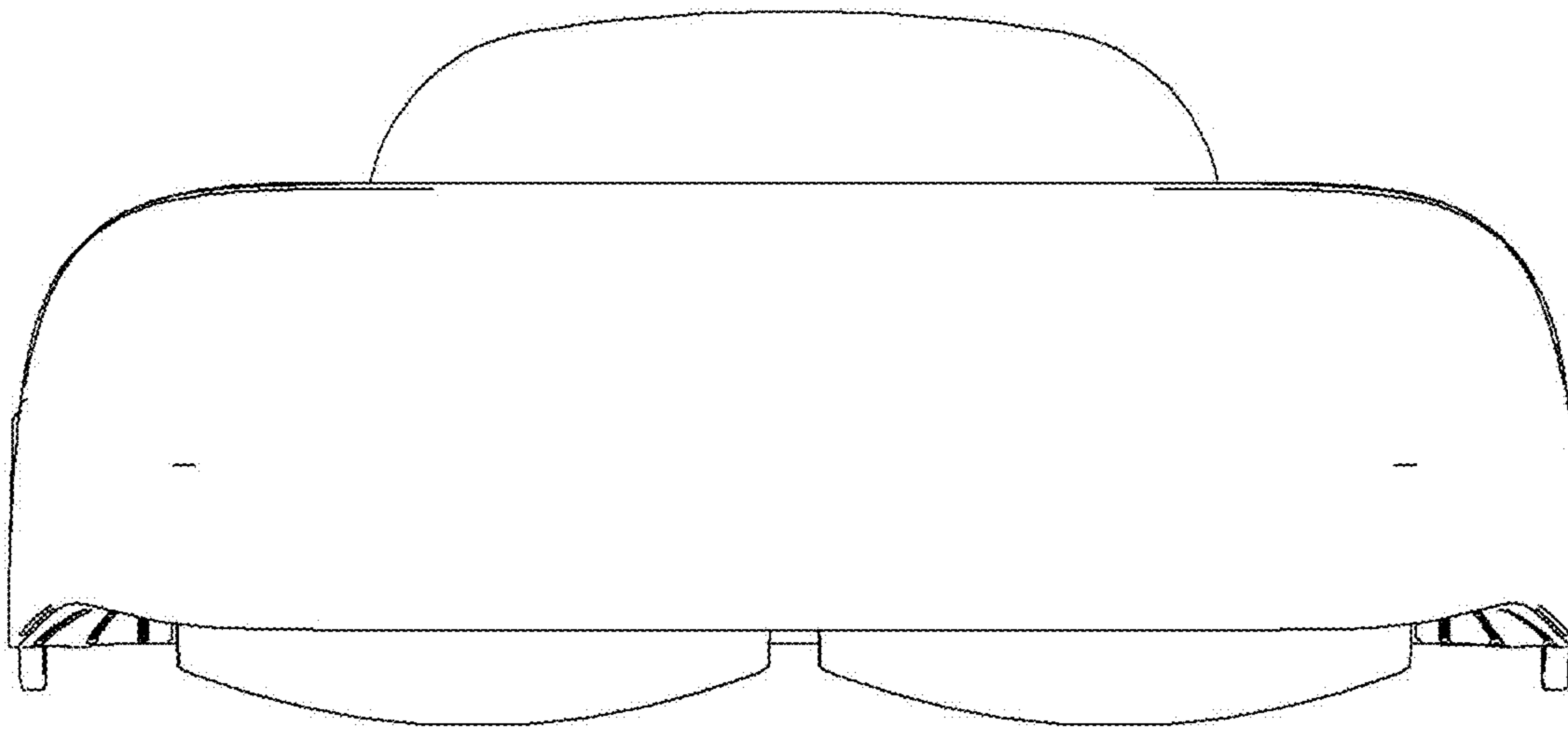


FIG. 13

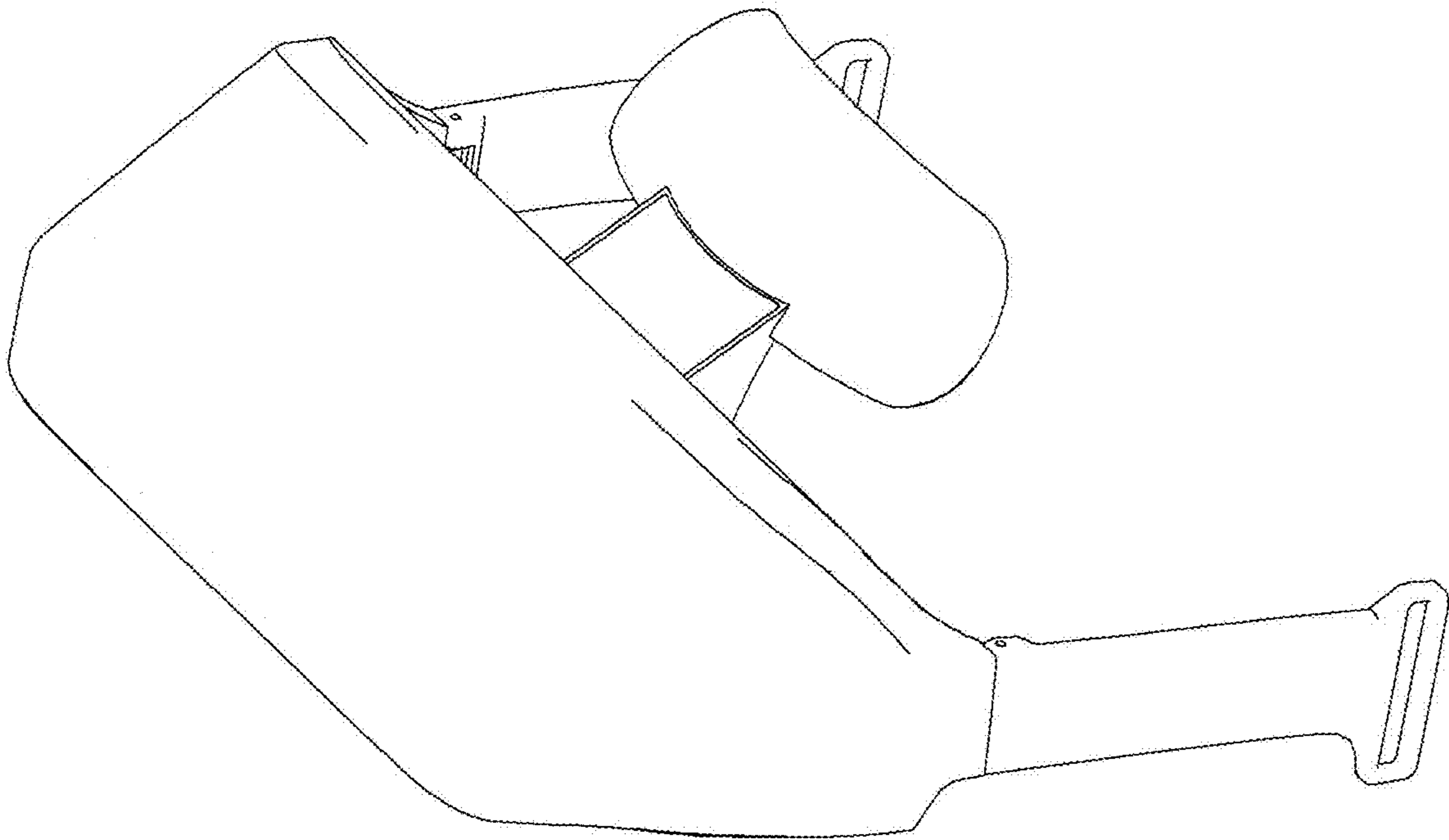


FIG. 14



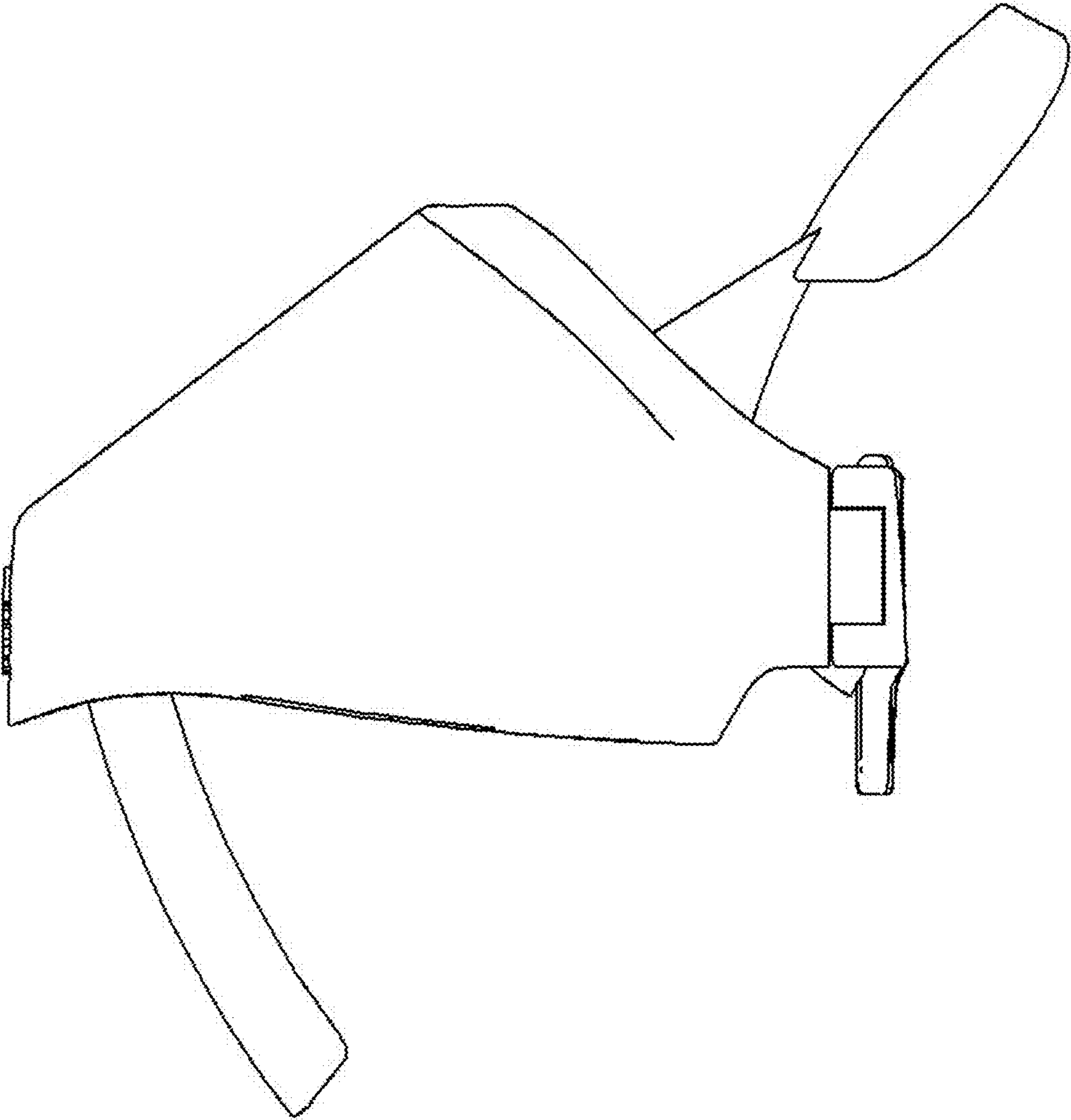


FIG. 15

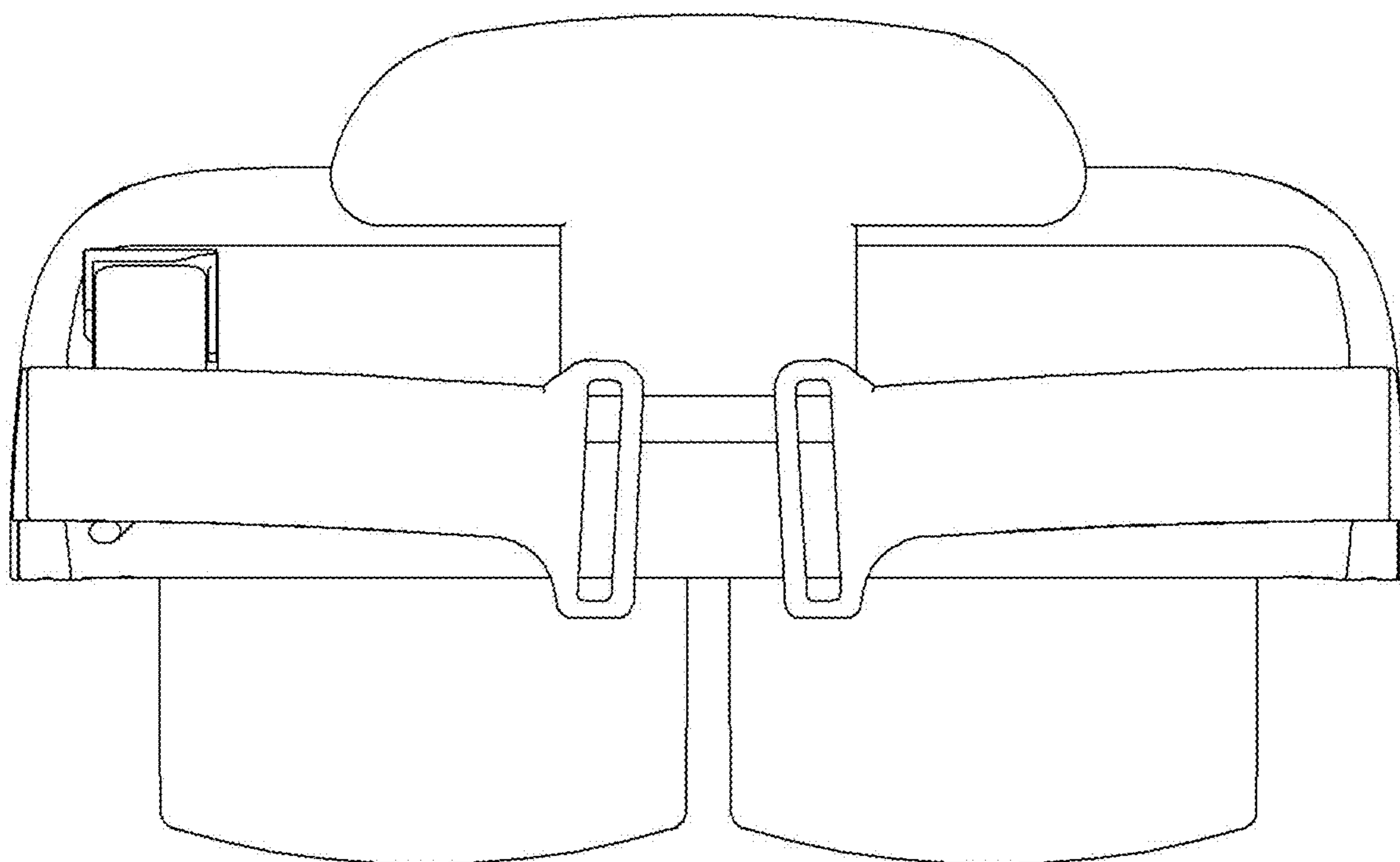


FIG. 16

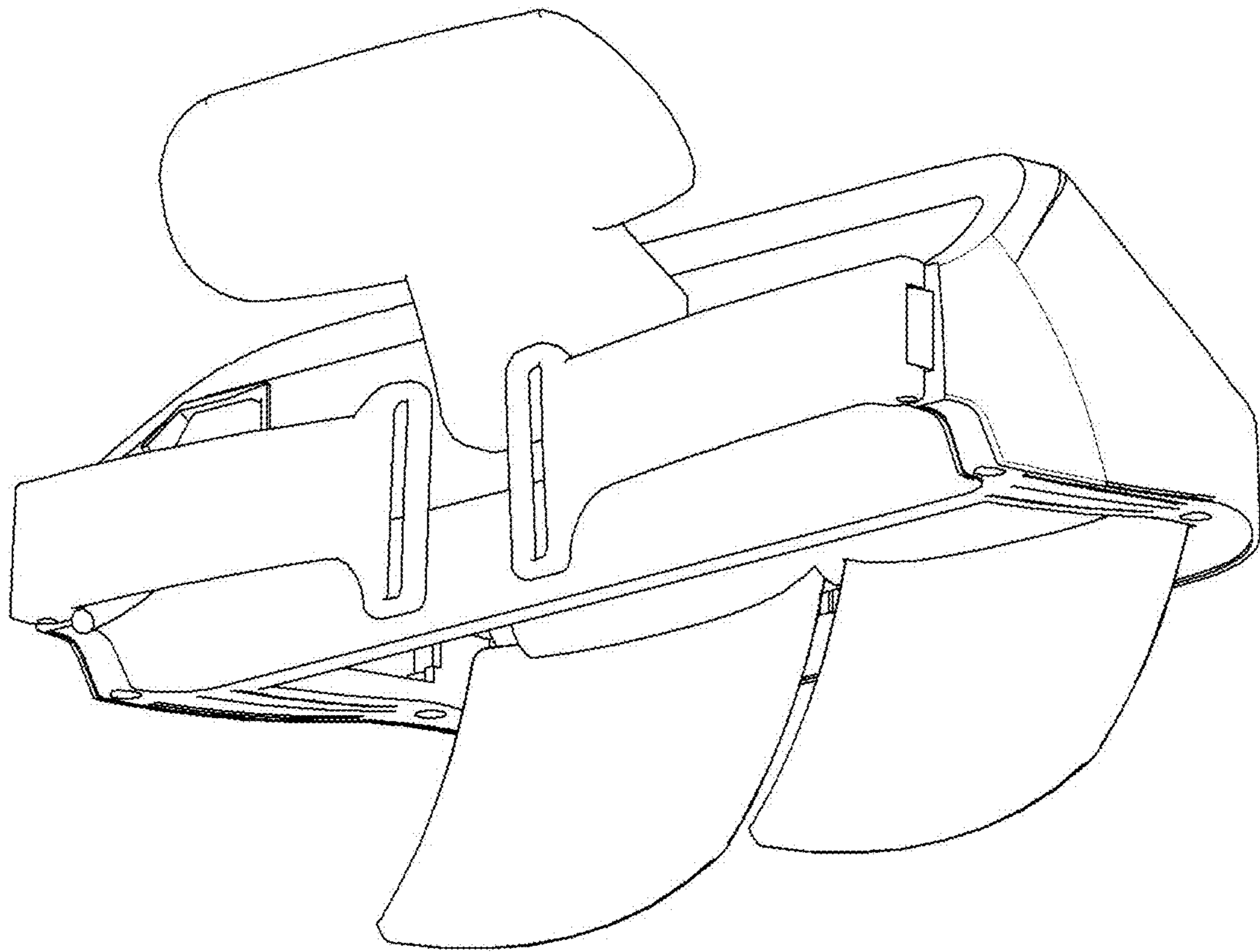


FIG. 17

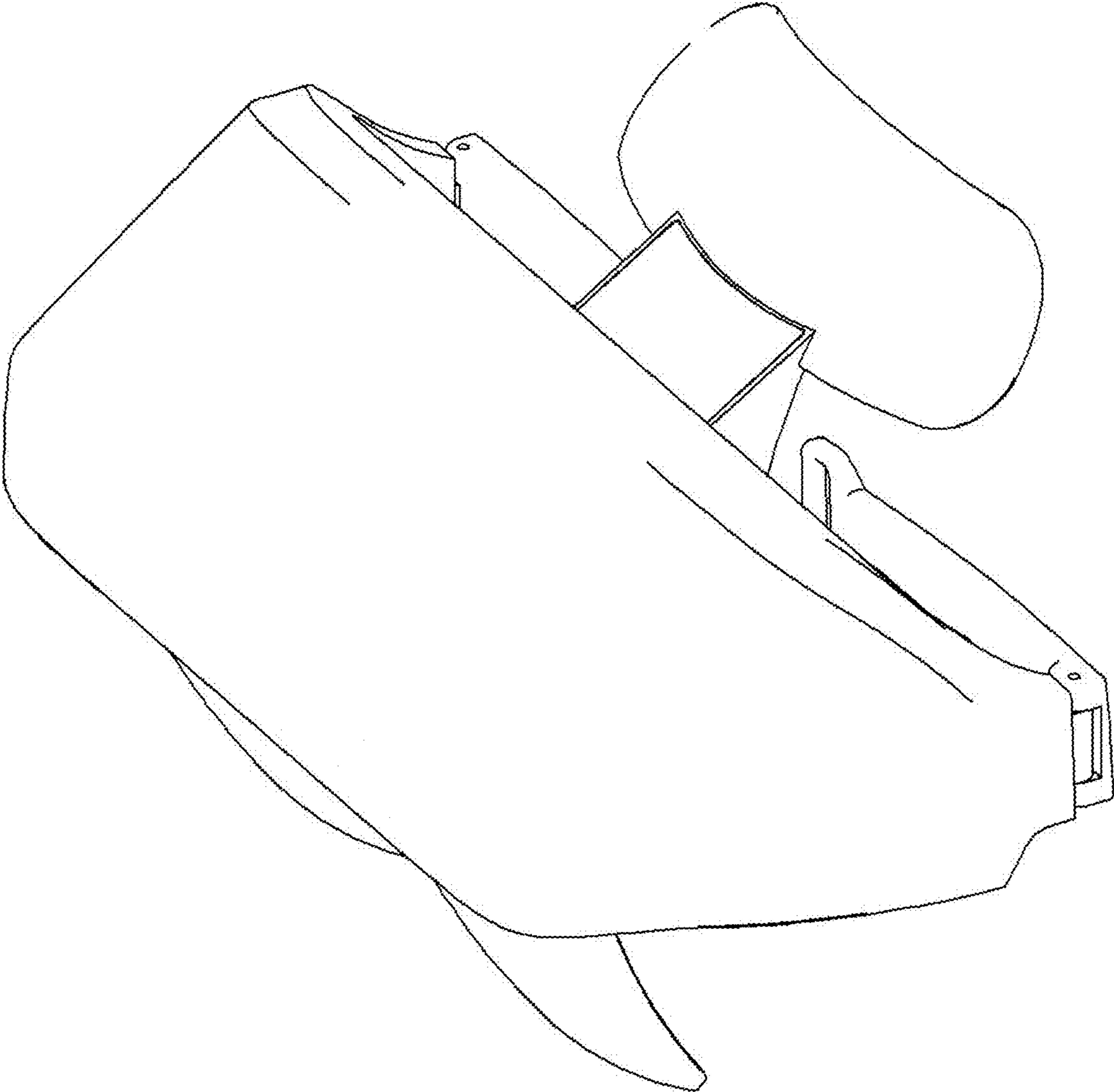


FIG. 18

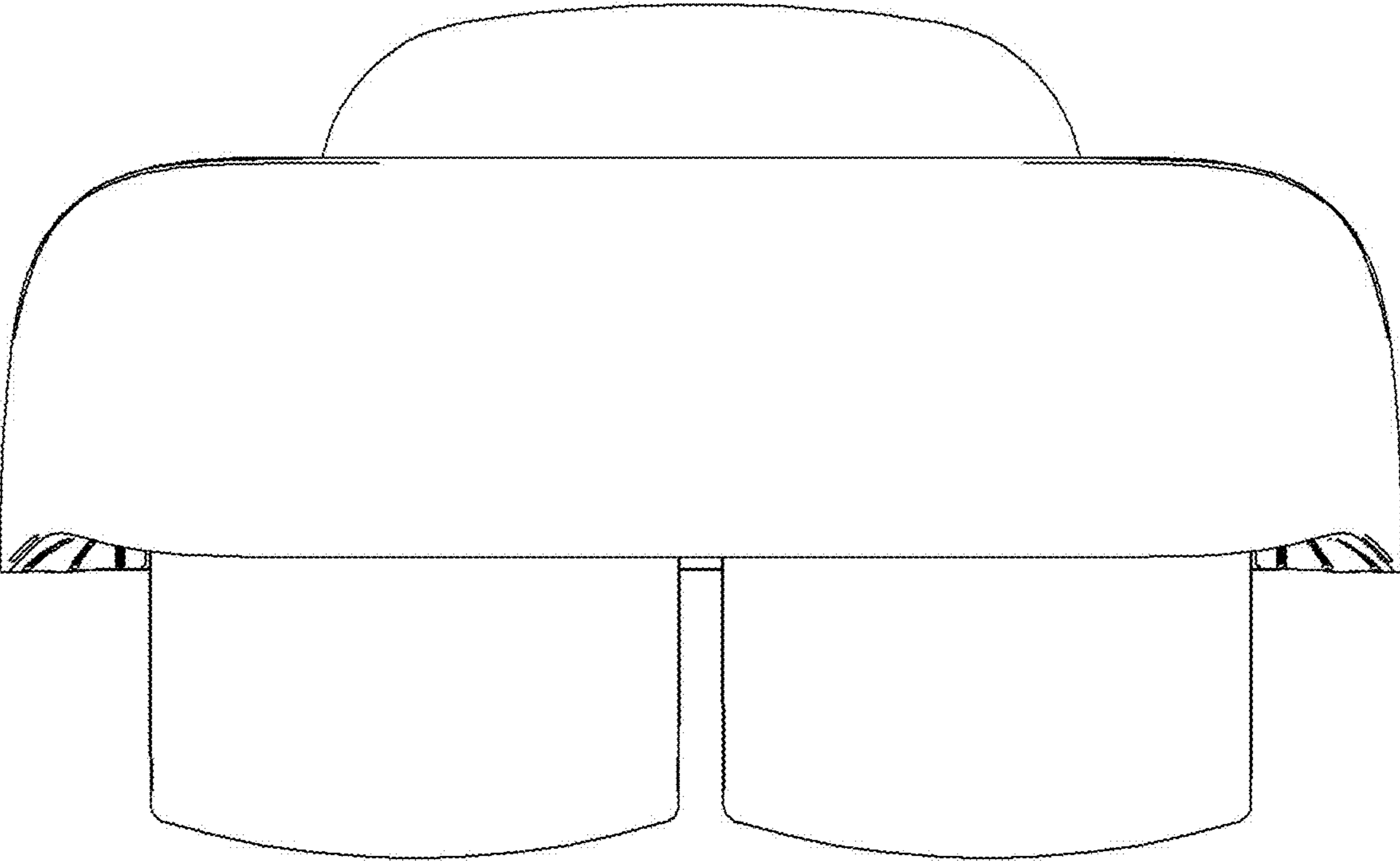


FIG. 19

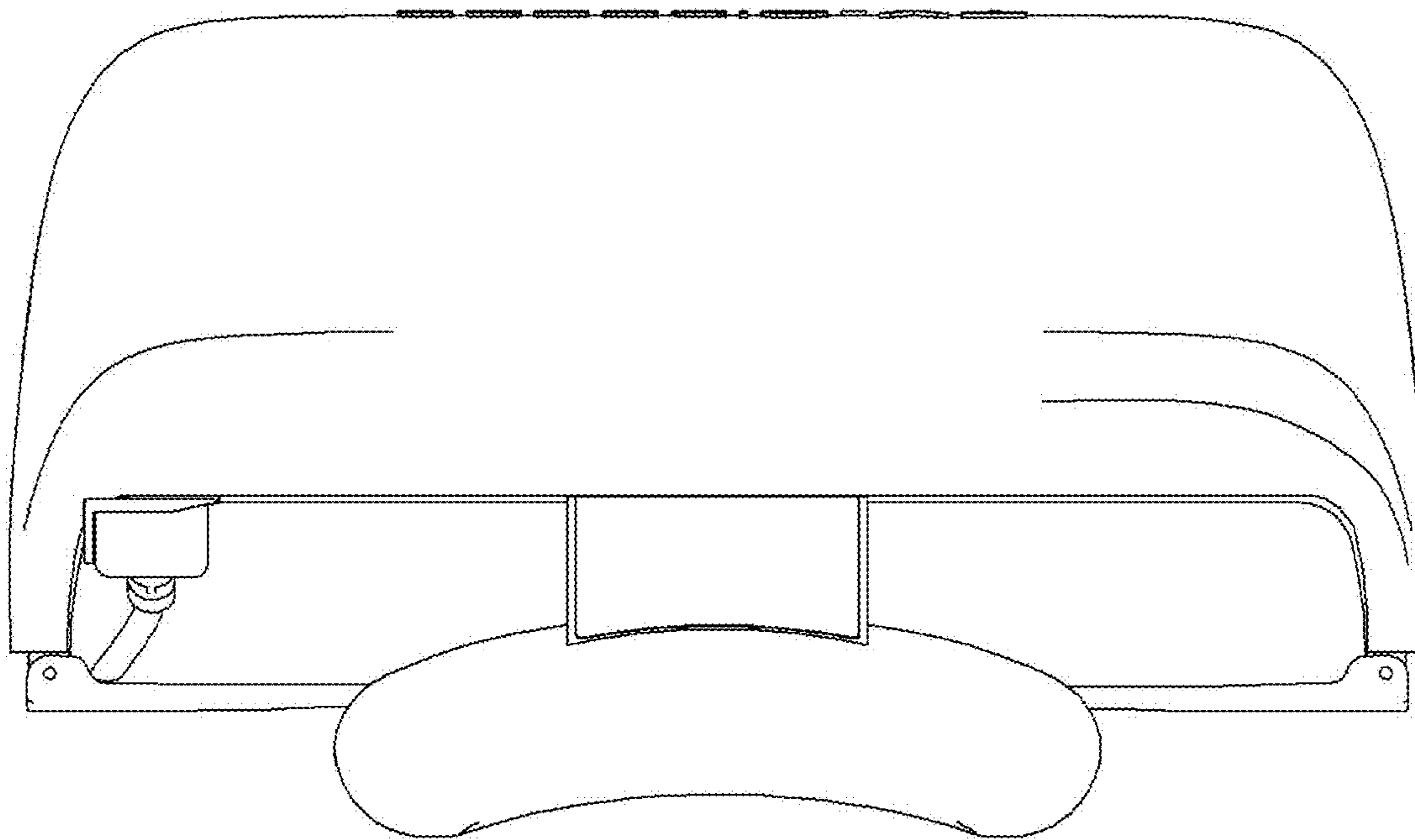


FIG. 20

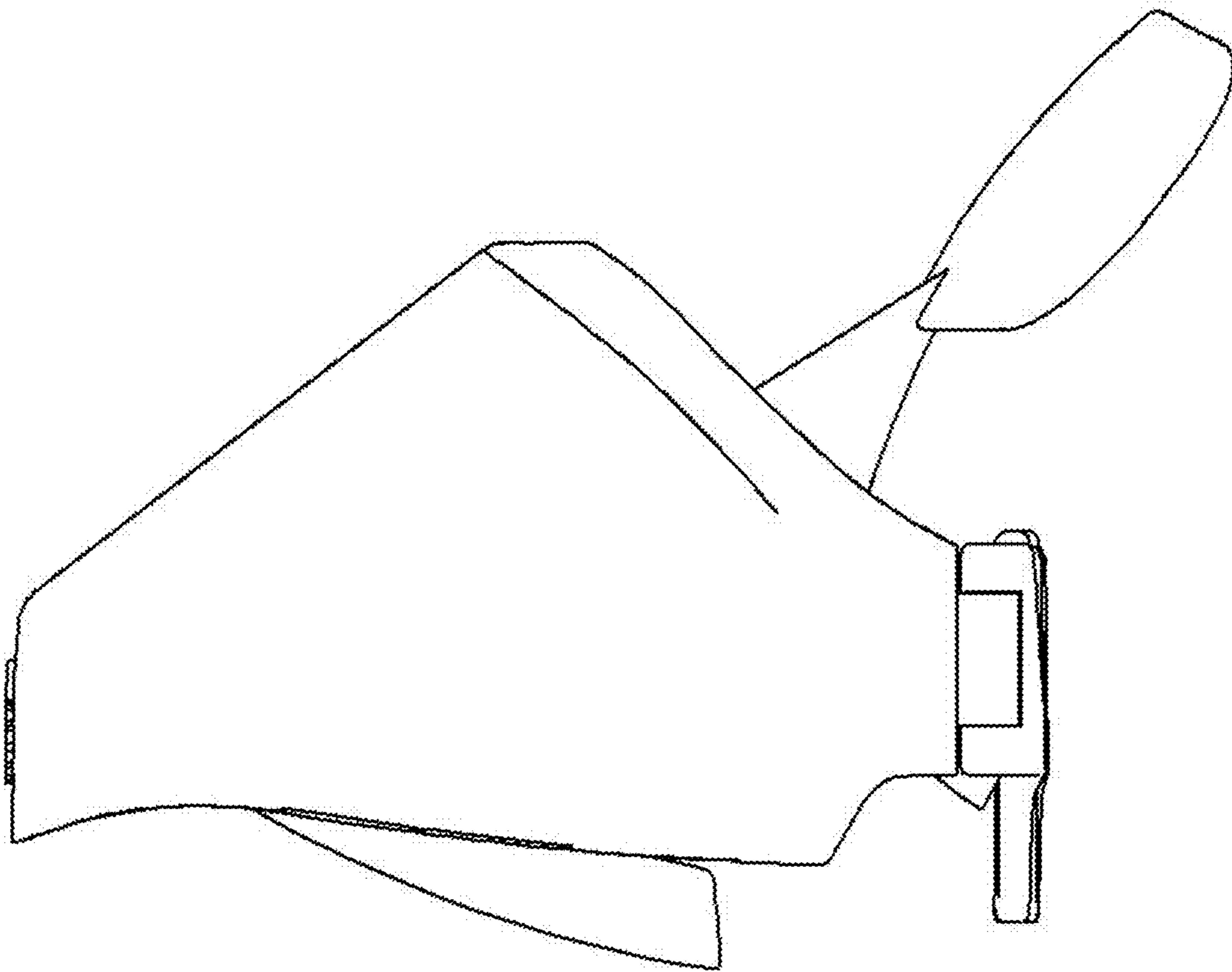


FIG. 21

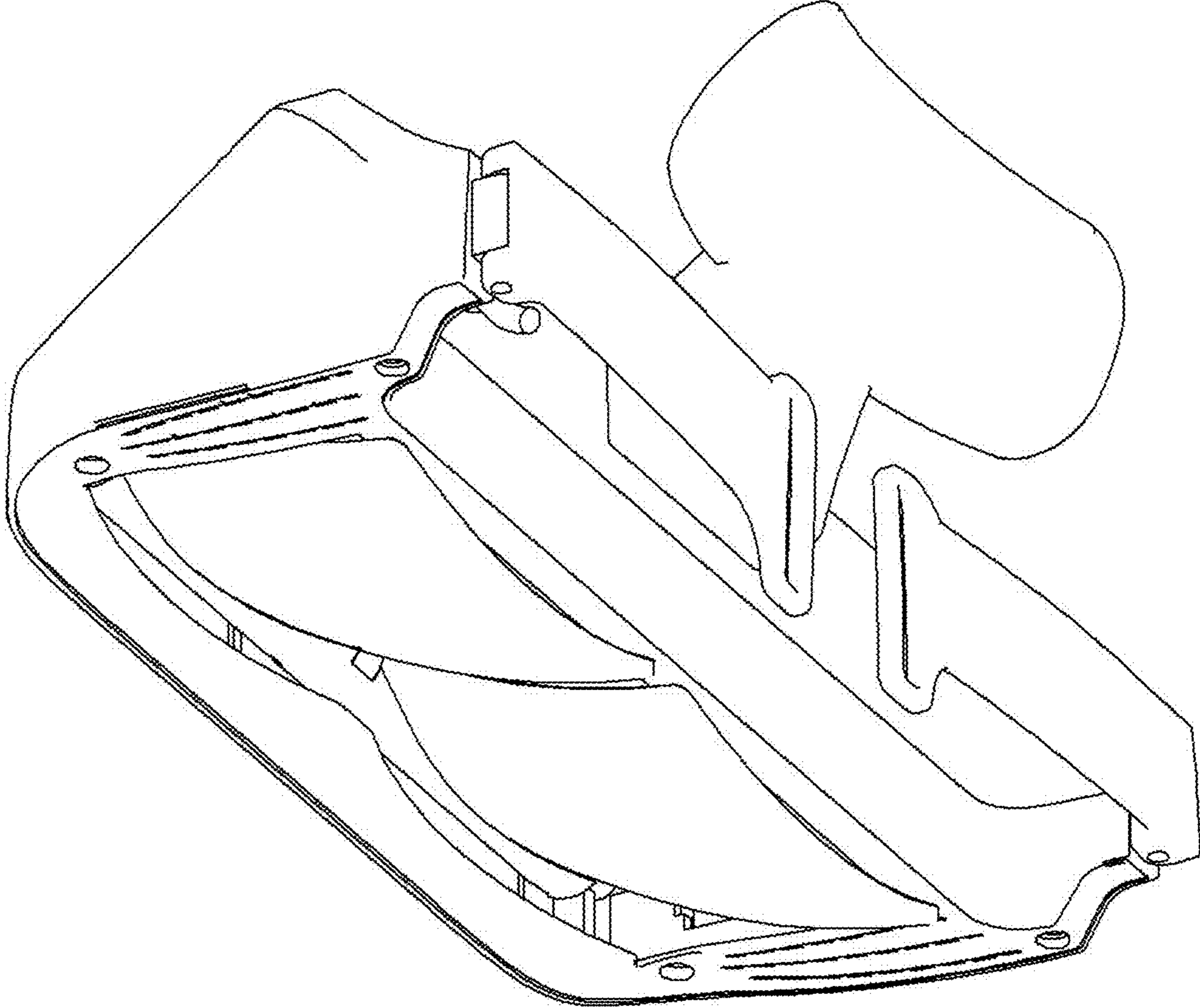


FIG. 22



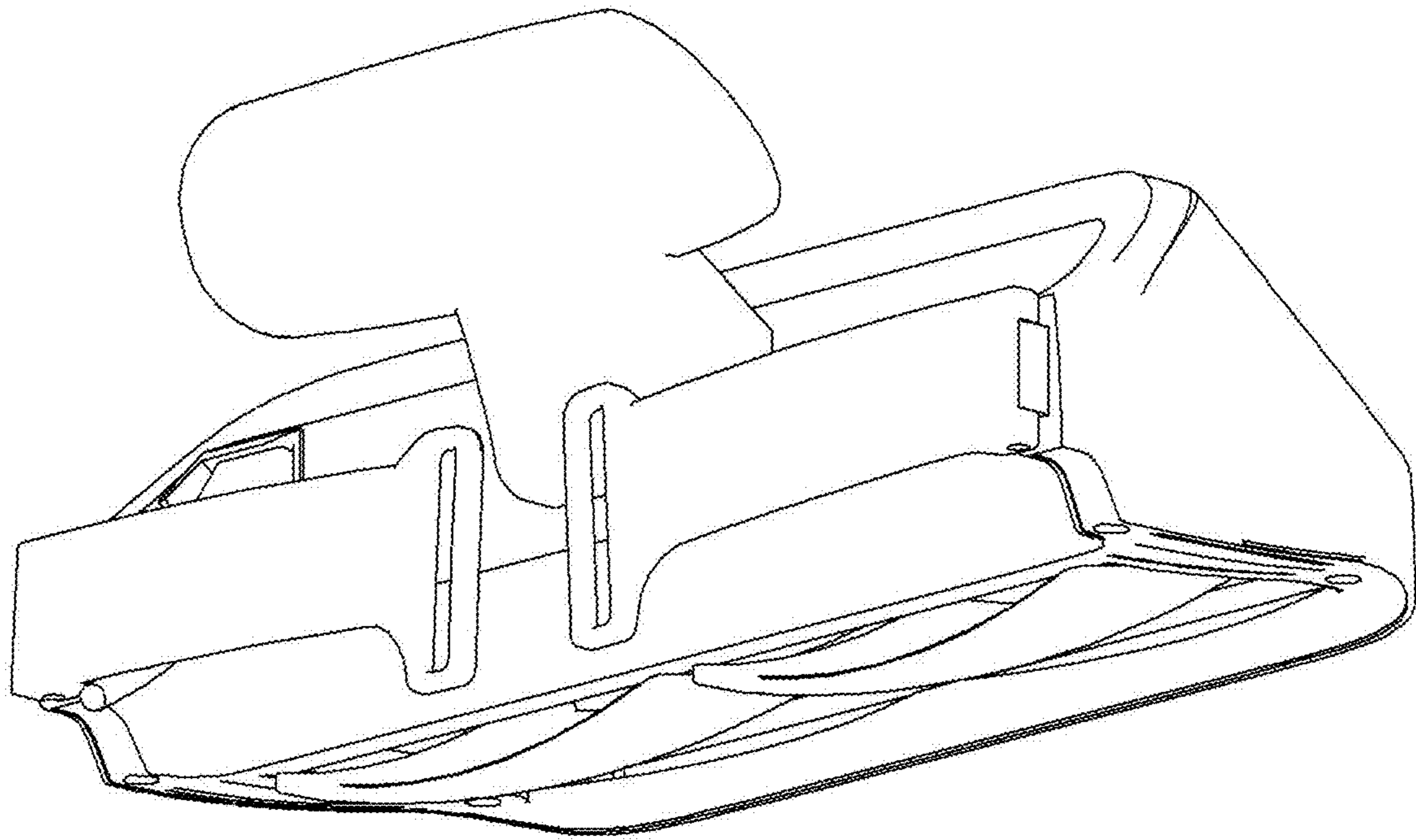


FIG. 23

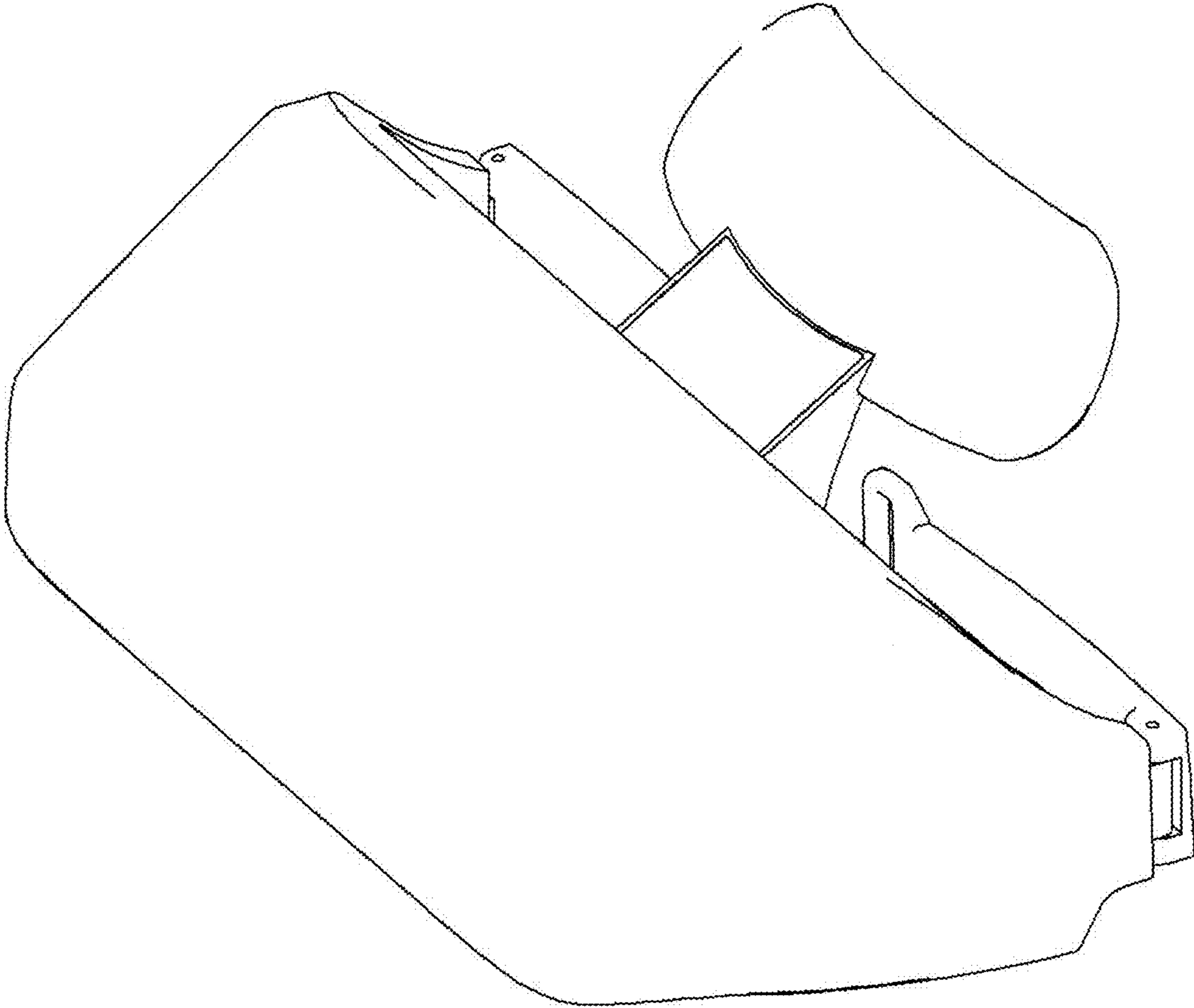


FIG. 24

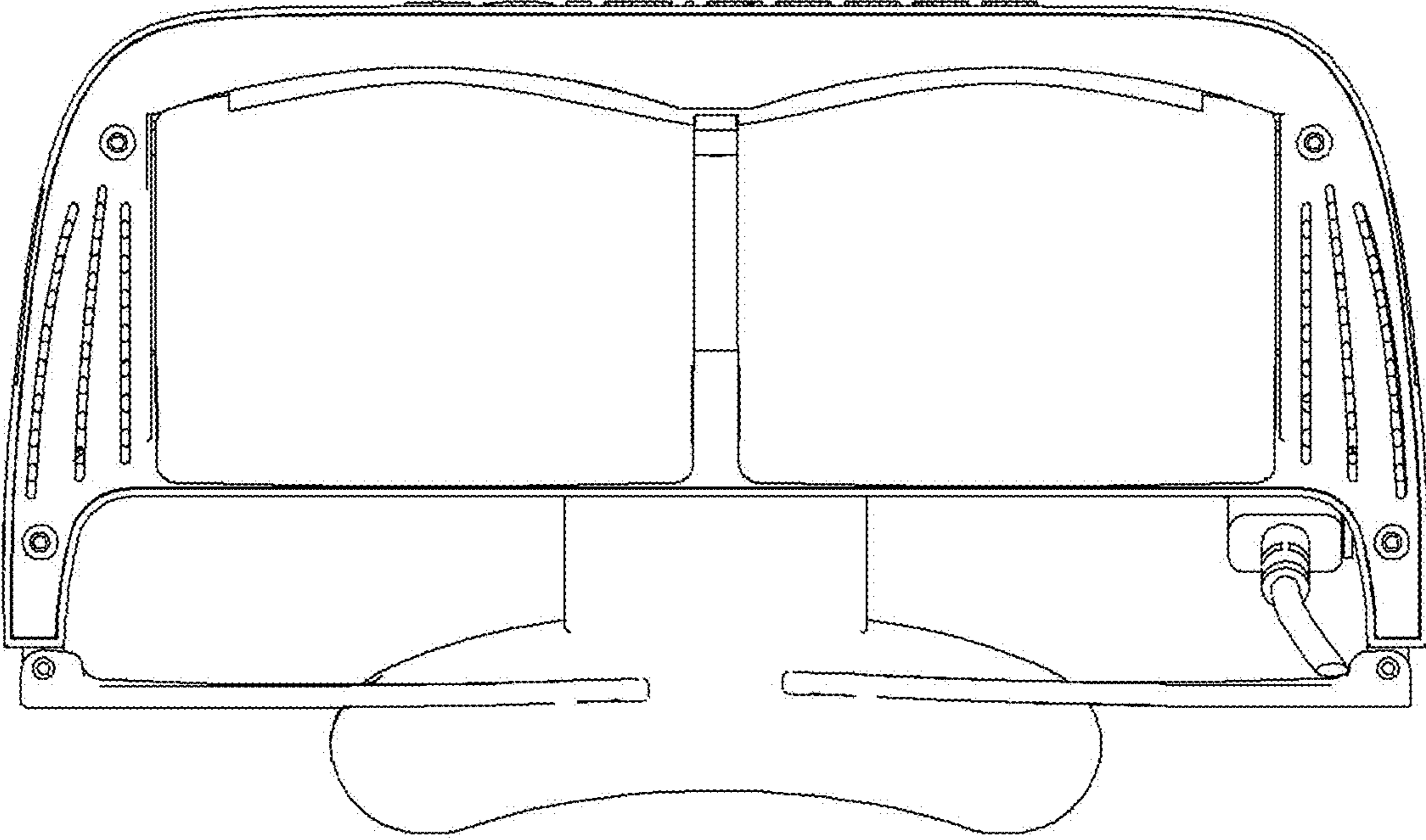


FIG. 25

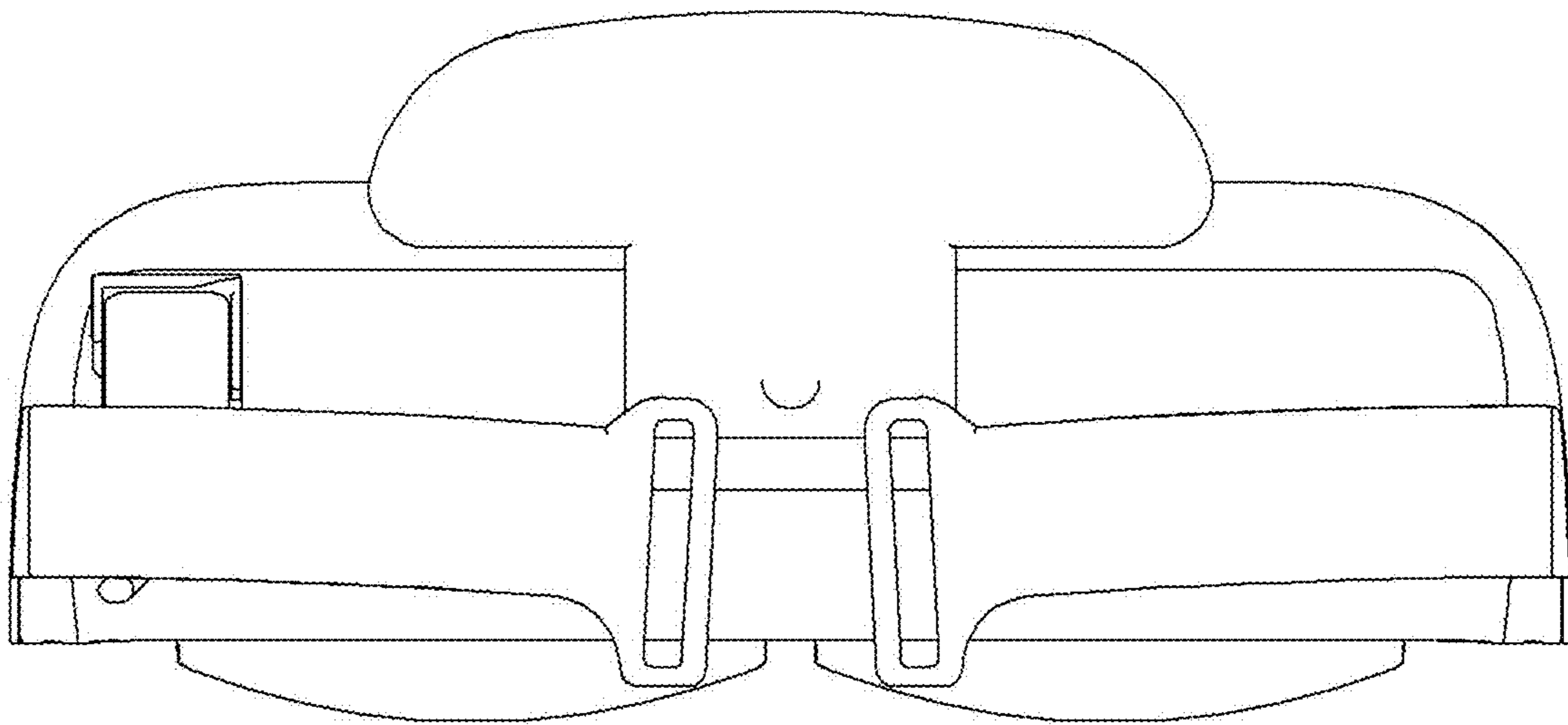


FIG. 26