



US00D916077S

(12) **United States Design Patent** (10) **Patent No.:** **US D916,077 S**
Wang et al. (45) **Date of Patent:** **** Apr. 13, 2021**

(54) **LAPTOP COMPUTER**
(71) Applicant: **Quanta Computer Inc.**, Taoyuan (TW)
(72) Inventors: **Hung-Tse Wang**, Taoyuan (TW);
Chu-Fu Wang, Taoyuan (TW);
Chang-Ta Miao, Taoyuan (TW);
Gwo-Chyuan Chen, Taoyuan (TW)

D600,240 S * 9/2009 Solomon D14/315
D621,824 S * 8/2010 Andre D14/315
D664,536 S * 7/2012 Lee D14/327
D678,872 S * 3/2013 Lee D14/315
D691,995 S * 10/2013 Adamson D14/318
D717,788 S * 11/2014 Yun D14/315
D729,792 S * 5/2015 Kurimoto D14/315

(Continued)

FOREIGN PATENT DOCUMENTS

CN 303841245 * 9/2016
CN 305523256 * 12/2019

(73) Assignee: **QUANTA COMPUTER INC.**,
Taoyuan (TW)

(**) Term: **15 Years**

(21) Appl. No.: **29/687,645**

(22) Filed: **Apr. 15, 2019**

(30) **Foreign Application Priority Data**

Jan. 8, 2019 (TW) 108300126

(51) **LOC (13) Cl.** **14-02**

(52) **U.S. Cl.**
USPC **D14/315**

(58) **Field of Classification Search**

USPC D14/371, 376, 315-327, 479, 150, 168,
D14/203.4, 203.6, 247, 331, 345-346,
D14/391-399, 401, 429, 434, 440,
D14/455-457, 477, 507, 509;
D3/900-901; 361/679.08, 679.09,
361/679.11, 679.26, 679.27; D21/324,
D21/409, 512, 515

CPC B41J 5/00; B41J 5/10; B41J 5/12; F16M
11/10; G06F 3/0219; G06F 3/02; G06F
1/1601; G06F 1/1616; G06F 1/1618

See application file for complete search history.

(56) **References Cited**

U.S. PATENT DOCUMENTS

D526,317 S * 8/2006 Takada D14/327
D586,799 S * 2/2009 Gluskoter D14/315

OTHER PUBLICATIONS

Notebook Computers, Quanta, author not listed, published Feb. 8, 2007 (c) Quanta Computer, Inc., URL: https://www.quantatw.com/Quanta/english/product/gci_nb.aspx (Year: 2007).*

(Continued)

Primary Examiner — Marissa J Cash
Assistant Examiner — Altaira J Swangin
(74) *Attorney, Agent, or Firm* — McClure, Qualey & Rodack, LLP

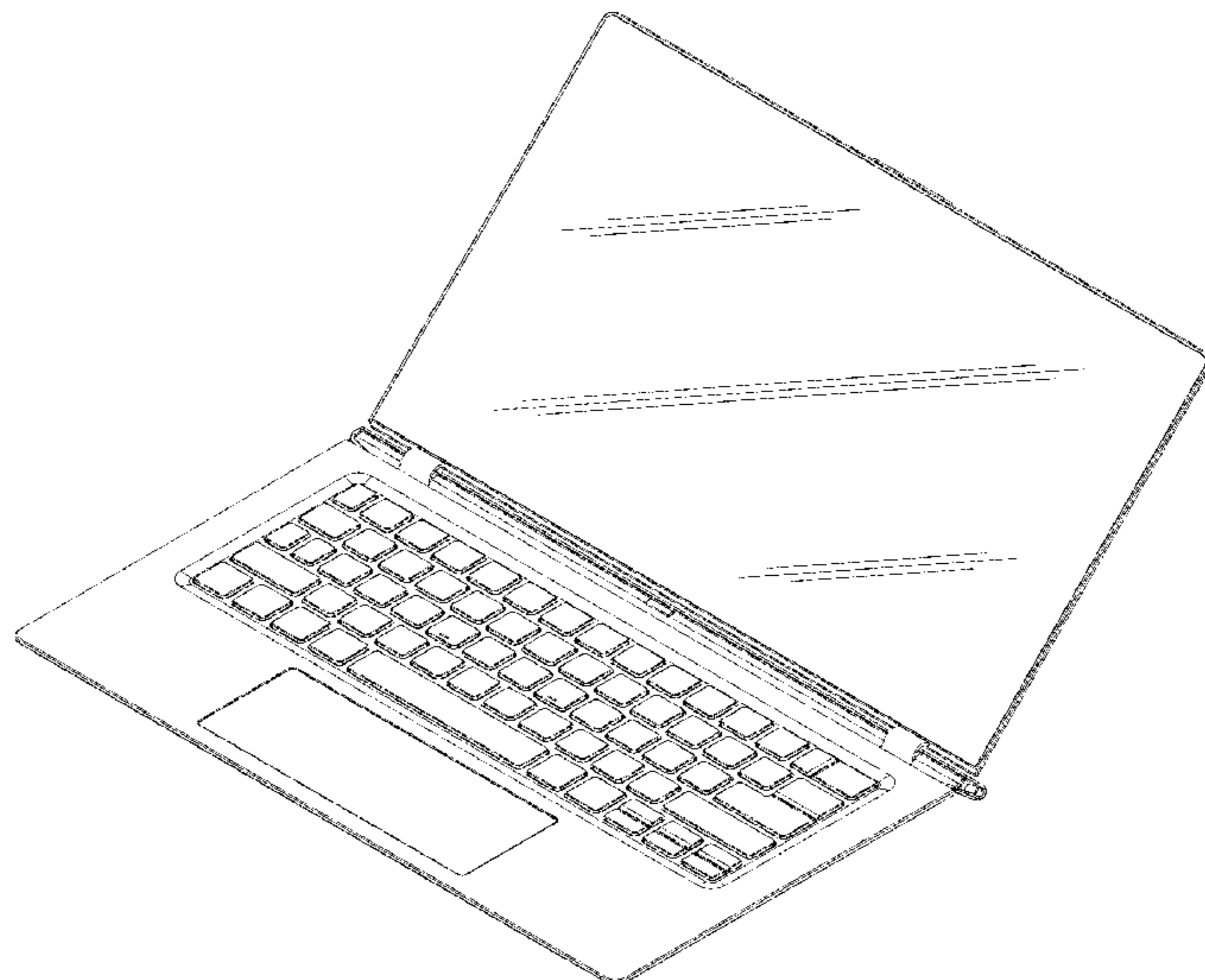
(57) **CLAIM**

The ornamental design for a laptop computer, as shown and described.

DESCRIPTION

FIG. 1 is a front perspective view of a laptop computer, showing our new design;
FIG. 2 is a front view thereof;
FIG. 3 is a rear view thereof;
FIG. 4 is a left side view thereof;
FIG. 5 is a right side view thereof;
FIG. 6 is a top plan view thereof;
FIG. 7 is a bottom plan view thereof; and,
FIG. 8 is a front perspective view showing the laptop computer in a folded state.

1 Claim, 8 Drawing Sheets



(56)

References Cited

U.S. PATENT DOCUMENTS

D737,809 S * 9/2015 Brehmer D14/315
 D741,315 S * 10/2015 Lee D14/315
 D749,561 S * 2/2016 Okuley D14/315
 D750,616 S * 3/2016 Liang D14/318
 D756,349 S * 5/2016 Lim D14/315
 D758,360 S * 6/2016 Lyles D14/315
 D763,249 S * 8/2016 Lee D14/315
 9,496,603 B2 * 11/2016 Sato H01Q 9/42
 D802,583 S * 11/2017 Oakley D14/315
 D803,826 S * 11/2017 Wang D14/316
 D805,066 S * 12/2017 Leabman D14/315
 D806,067 S * 12/2017 Cheng D14/315
 D806,699 S * 1/2018 Schoenith D14/315
 D810,069 S * 2/2018 Hishiki D14/316
 D812,604 S * 3/2018 Akana D14/315
 D813,859 S * 3/2018 Oakley D14/315
 D815,088 S * 4/2018 Fujimoto D14/316
 RE46,812 E * 5/2018 Sohn D14/315
 D820,250 S * 6/2018 Chen D14/315
 D826,923 S * 8/2018 Lee D14/315
 D826,925 S * 8/2018 Lee D14/315

D826,926 S * 8/2018 Lee D14/315
 10,444,793 B2 * 10/2019 Shibayama H05K 7/2039
 10,705,564 B2 * 7/2020 Abe G06F 1/1656
 D900,090 S * 10/2020 Xiao D14/318
 10,852,775 B1 * 12/2020 Kim F16H 21/50
 2015/0227168 A1 * 8/2015 Nakamura G06F 1/1681
 361/679.55
 2016/0208530 A1 * 7/2016 Tatsukami G06F 1/1681
 2017/0153663 A1 * 6/2017 Aurongzeb G06F 1/1637
 2017/0344060 A1 * 11/2017 Shibayama G06F 1/206
 2018/0210498 A1 * 7/2018 Ishikawa G06F 1/1637
 2018/0210499 A1 * 7/2018 Tsubaki E05D 3/12
 2019/0036371 A1 * 1/2019 Ku H02J 7/0042
 2020/0174530 A1 * 6/2020 Wu G09G 5/006
 2020/0249730 A1 * 8/2020 Lin G06F 1/1686

OTHER PUBLICATIONS

ZenBook Laptop, Asus, Tom Warren, published Jan. 6, 2019 (c)
 2020 Vox Media, LLC, URL: <https://www.theverge.com/2019/1/6/18170564/asus-zenbook-s13-display-bezels-notch-specs-ces-2019> (Year: 2019).*

* cited by examiner

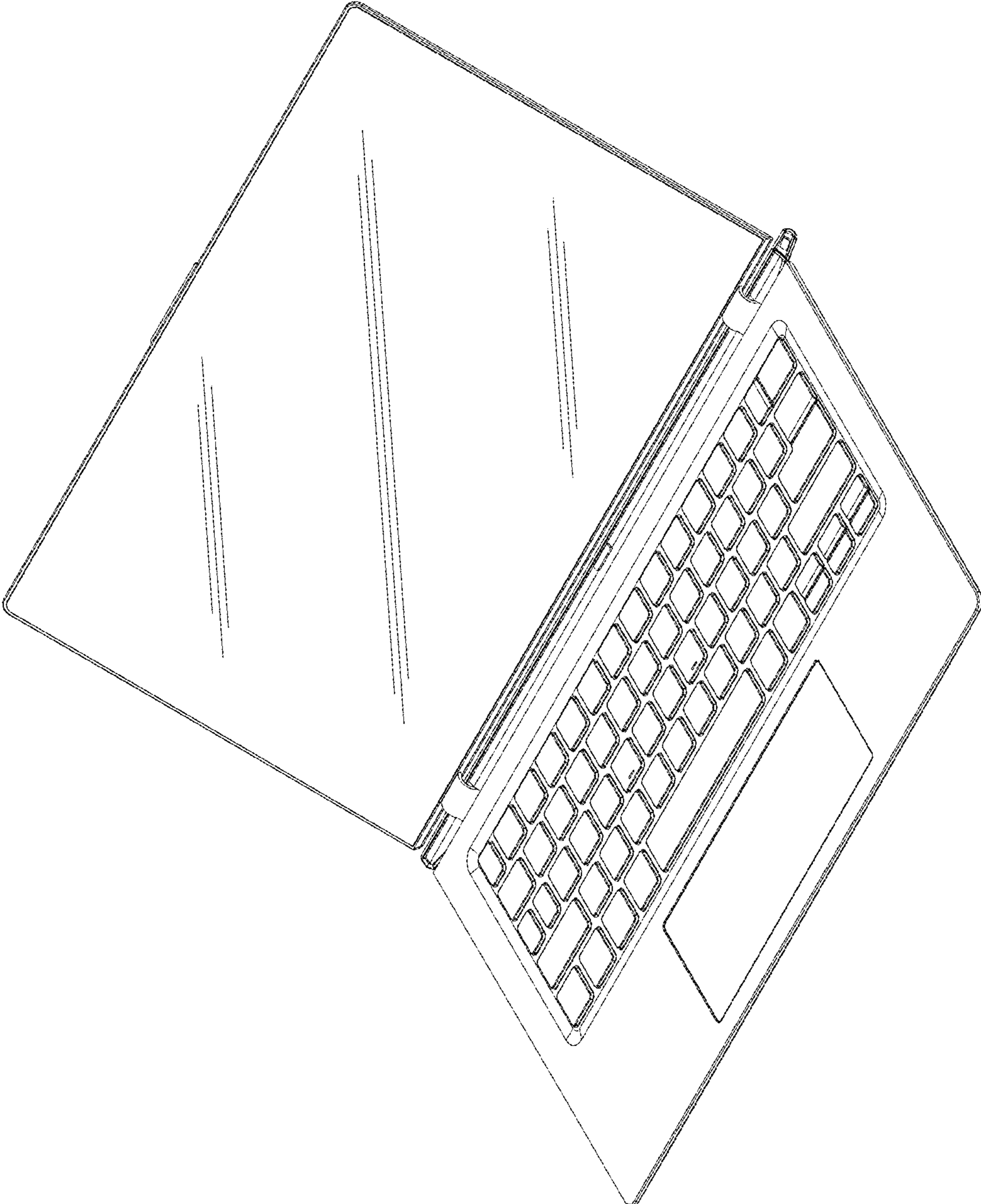


FIG. 1

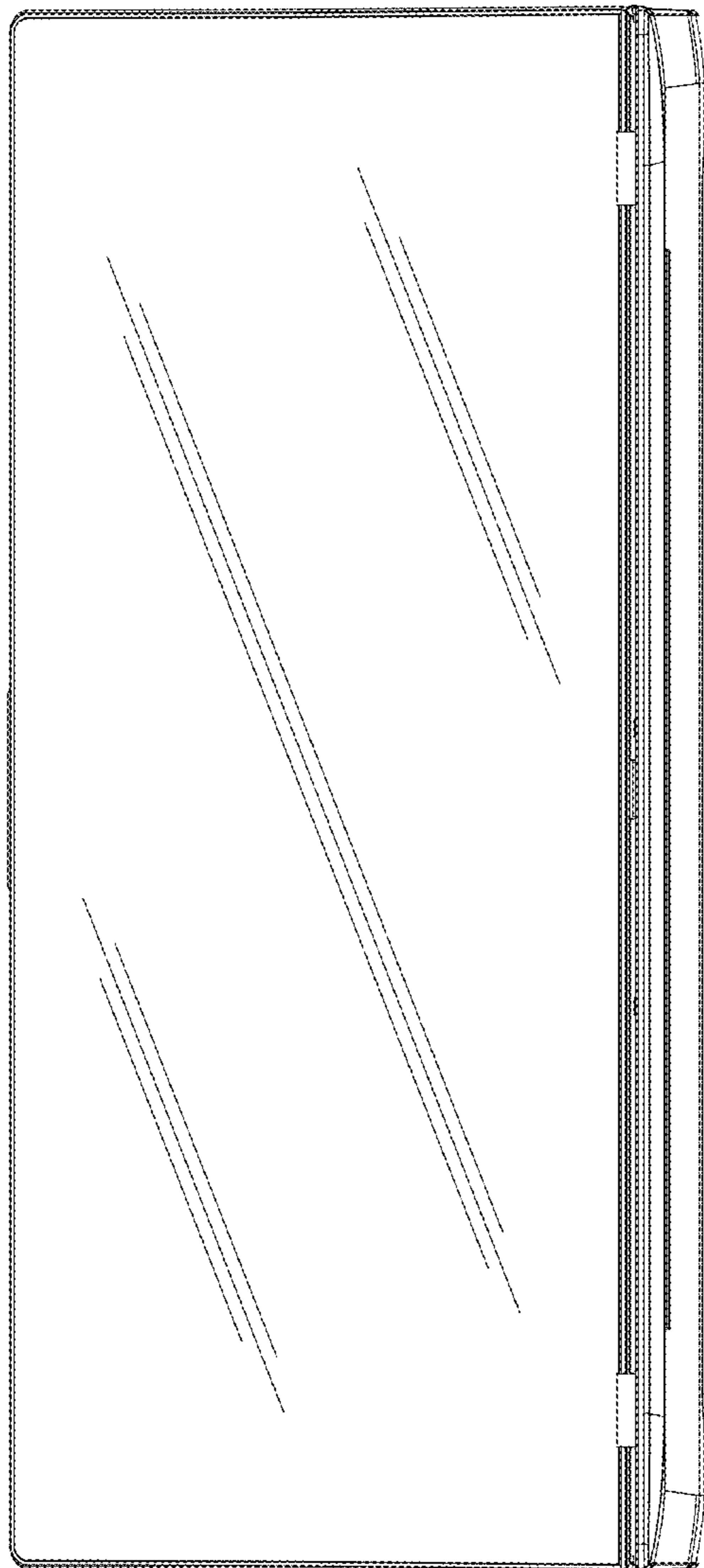


FIG. 2

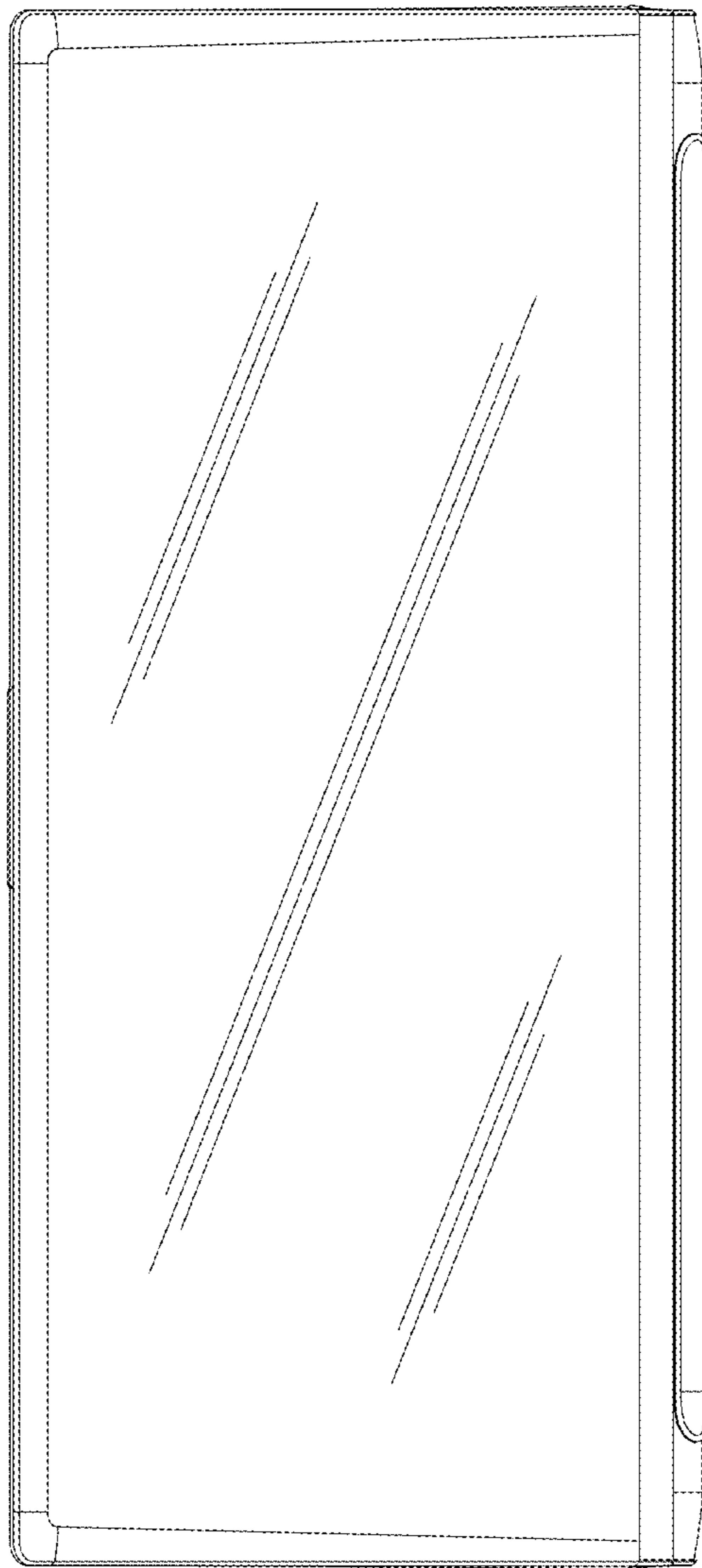


FIG. 3

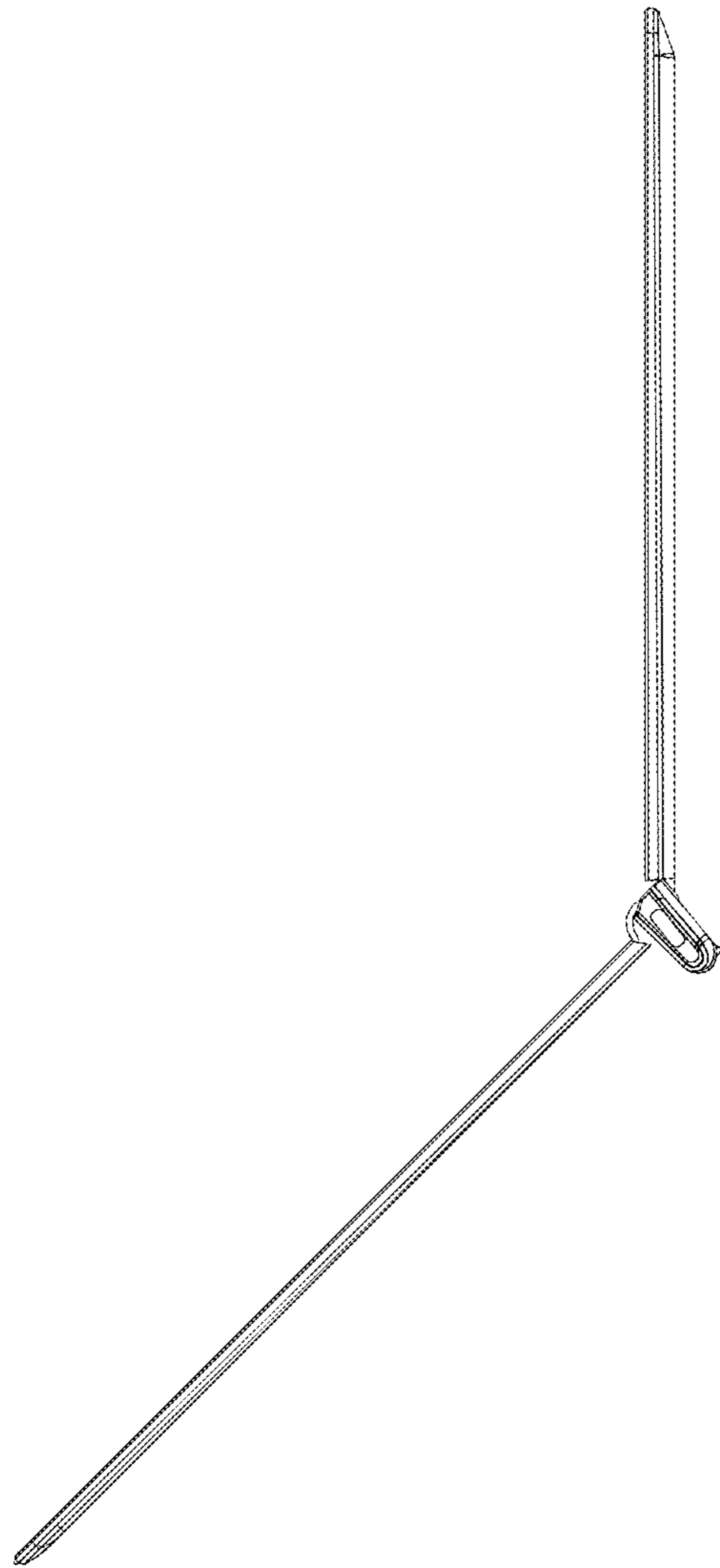


FIG. 4

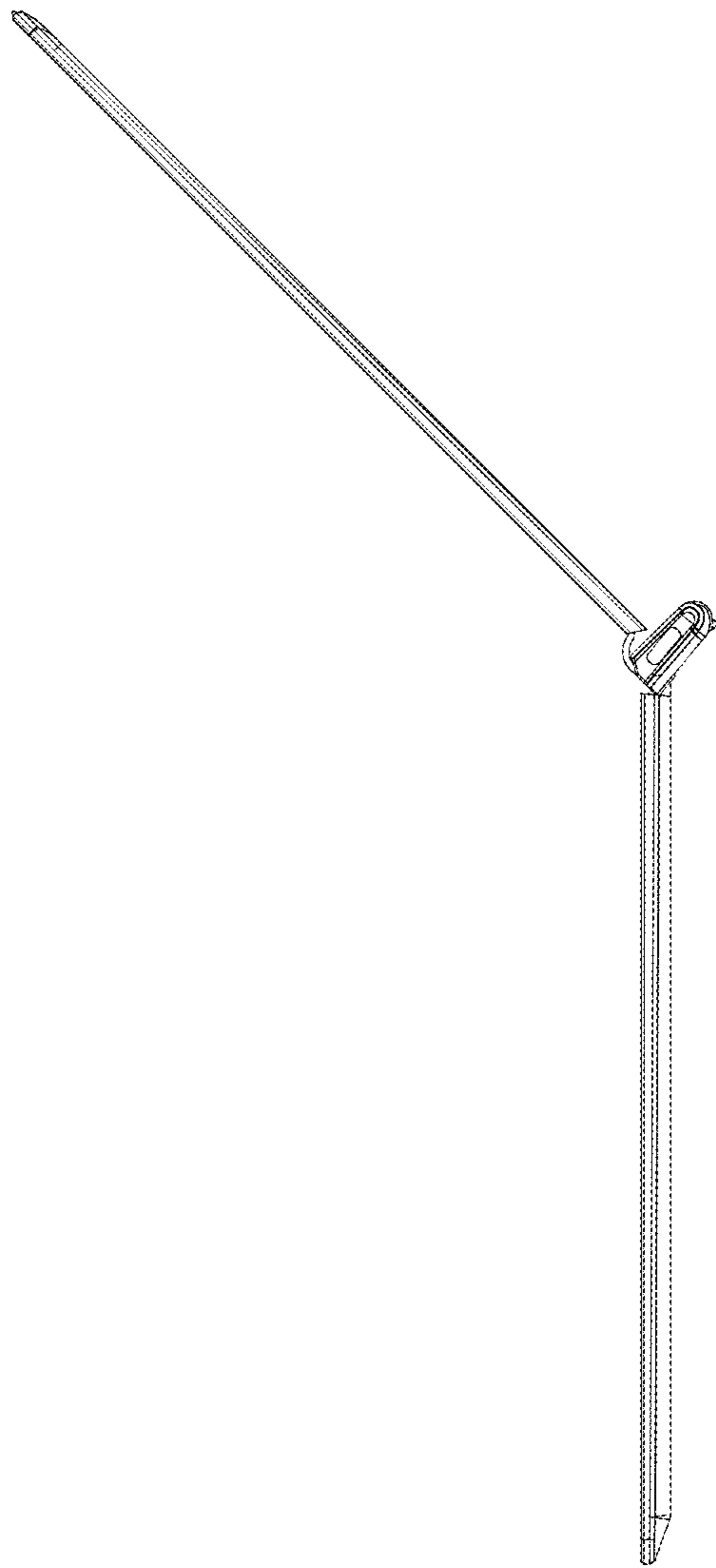


FIG. 5

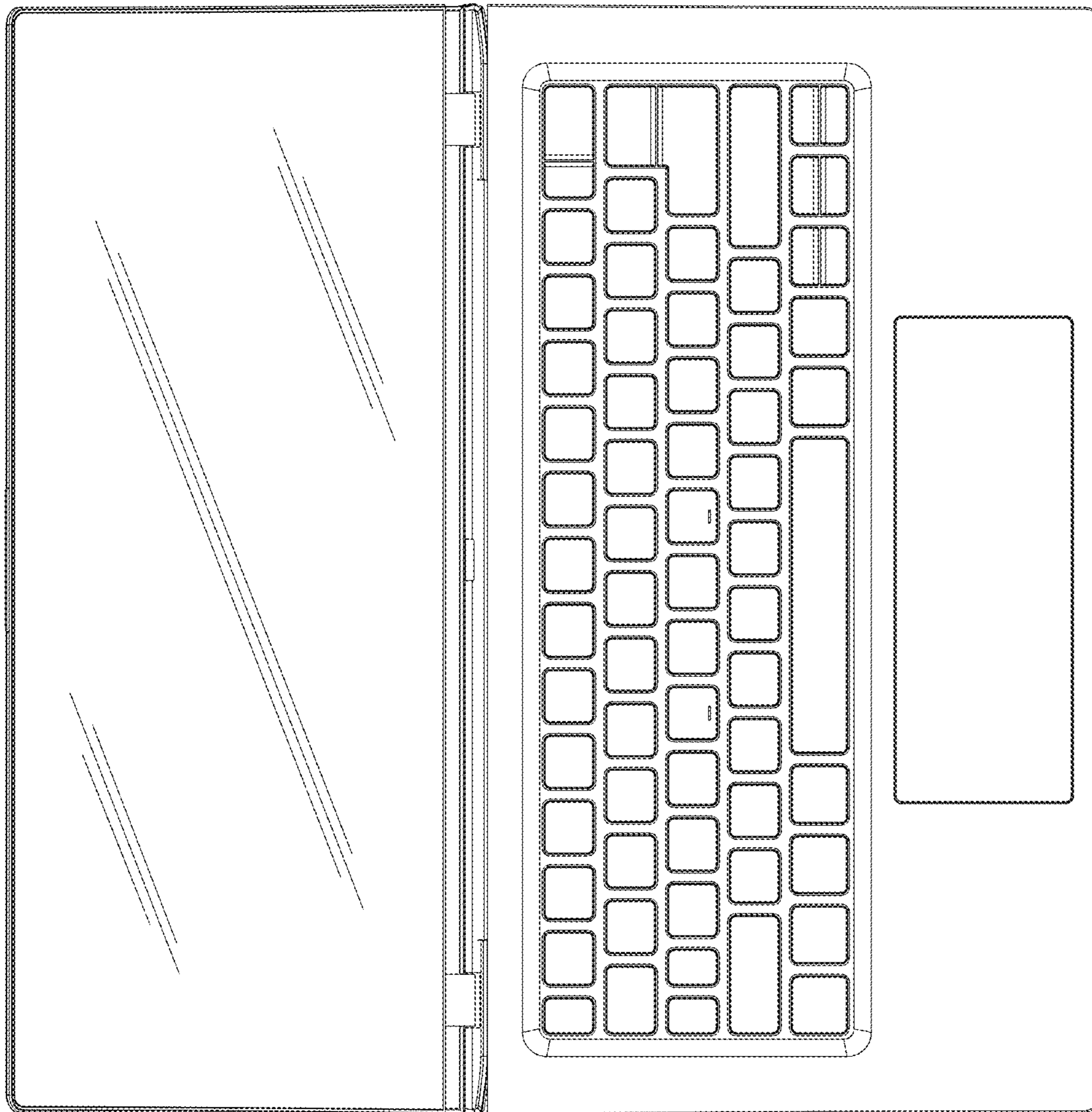


FIG. 6

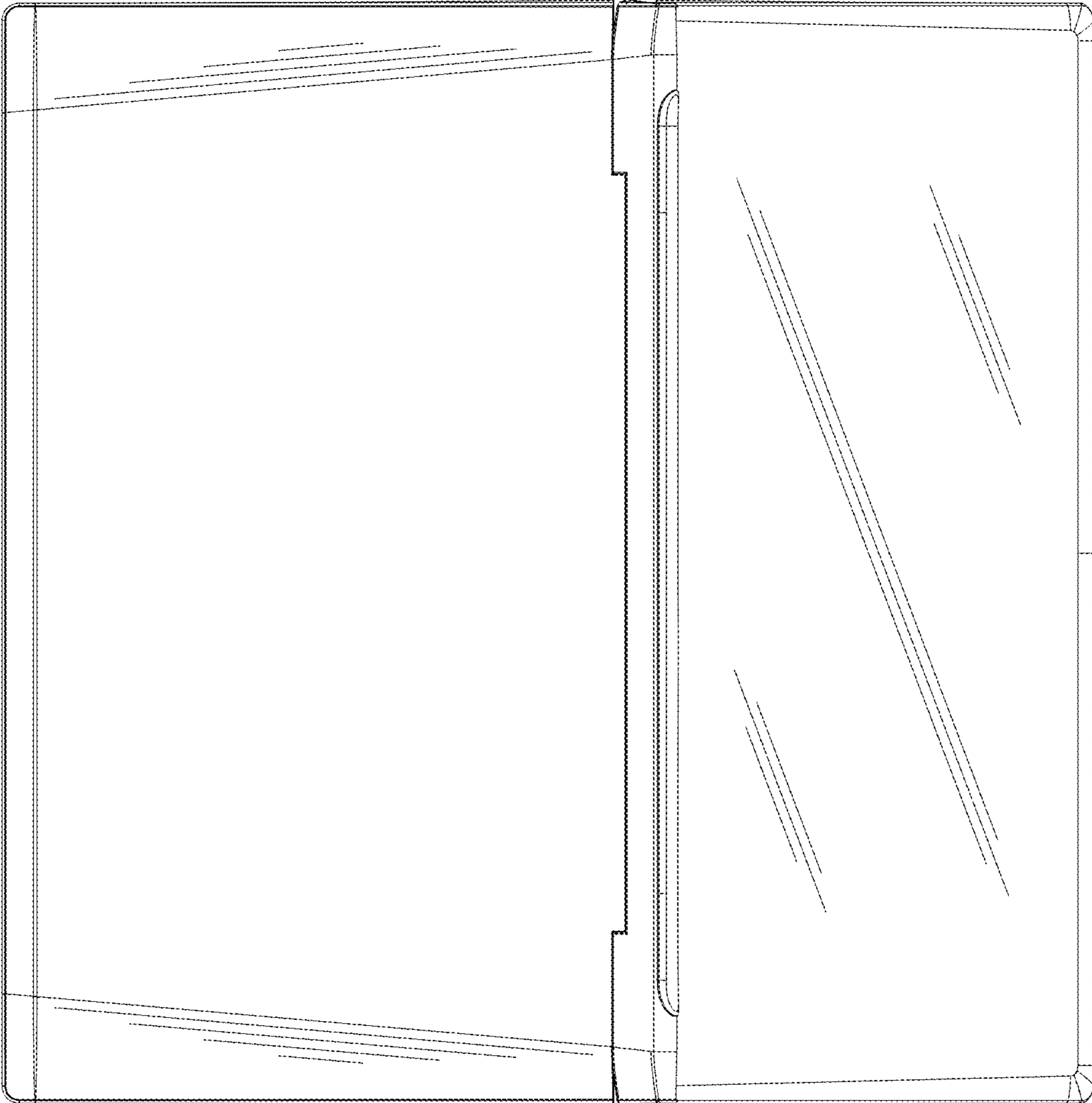


FIG. 7

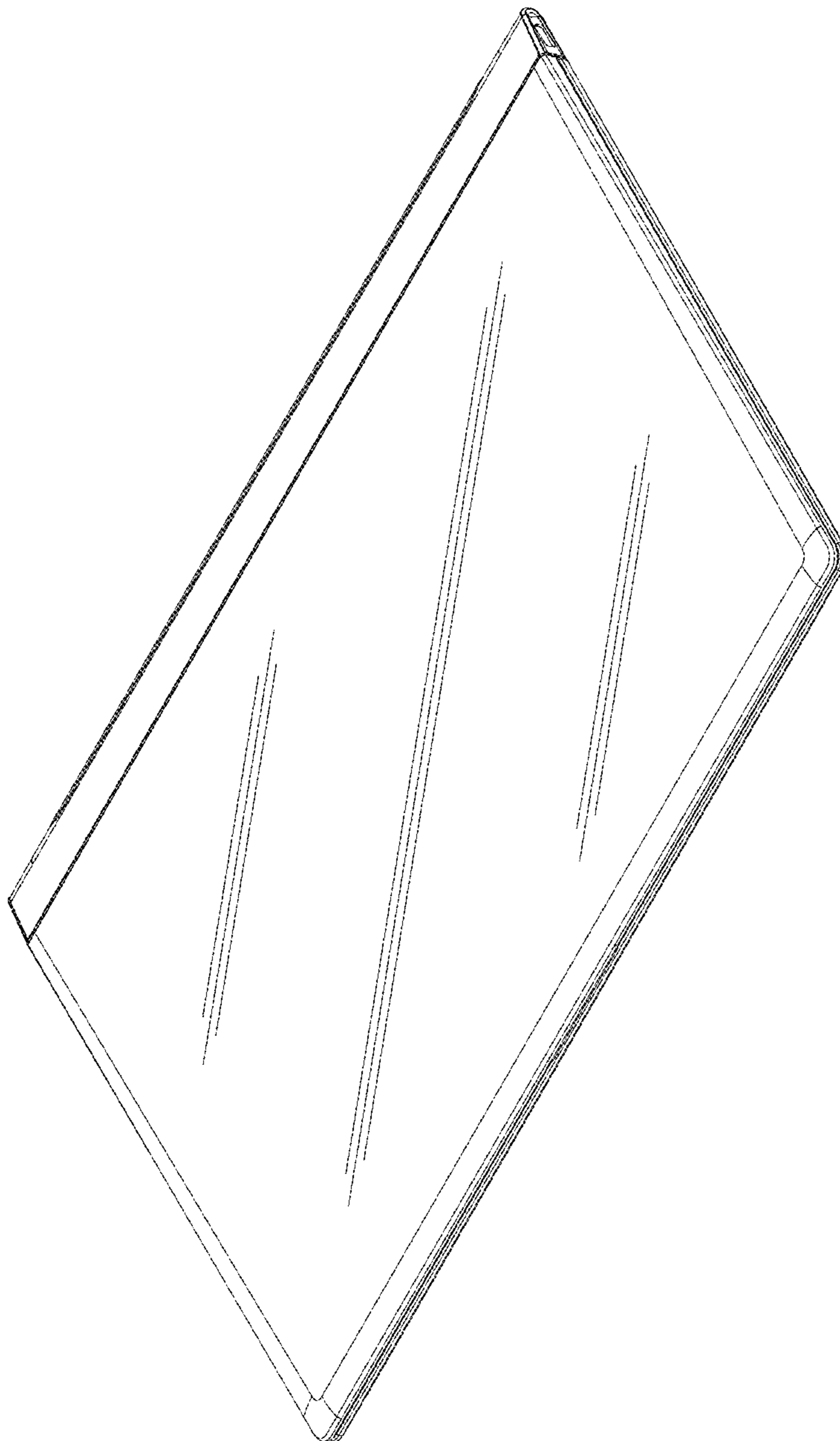


FIG. 8