



US00D916076S

(12) **United States Design Patent** (10) **Patent No.:** **US D916,076 S**  
**Seoc et al.** (45) **Date of Patent:** **\*\* Apr. 13, 2021**

(54) **NOTEBOOK**

(71) Applicant: **Samsung Electronics Co., Ltd.**,  
Suwon-si (KR)

(72) Inventors: **Hoyoung Seoc**, Seoul (KR); **Iksang Kim**, Seoul (KR); **Seungho Jung**, Seoul (KR)

(73) Assignee: **Samsung Electronics Co., Ltd.**,  
Suwon-si (KR)

(\*\*) Term: **15 Years**

(21) Appl. No.: **29/680,218**

(22) Filed: **Feb. 14, 2019**

(30) **Foreign Application Priority Data**

Nov. 7, 2018 (KR) ..... 30-2018-0051308

(51) **LOC (13) Cl.** ..... **14-02**

(52) **U.S. Cl.**  
USPC ..... **D14/315**

(58) **Field of Classification Search**  
USPC ..... D14/371, 376, 315-327, 341, 439;  
D3/900; 361/679.09, 679.26-679.27  
CPC ..... B41J 5/00; B41J 5/10; B41J 5/12; F16M  
11/10; G06F 3/0219; G06F 3/02; G06F  
1/16; G06F 1/1616  
See application file for complete search history.

(56) **References Cited**

**U.S. PATENT DOCUMENTS**

D600,688 S \* 9/2009 Andre ..... D14/327  
D603,393 S \* 11/2009 Paek ..... D14/315  
D604,289 S \* 11/2009 Andre ..... D14/315  
D604,290 S 11/2009 Andre et al.  
D604,293 S \* 11/2009 Andre ..... D14/315  
D611,469 S \* 3/2010 Andre ..... D14/315  
D616,881 S \* 6/2010 Andre ..... D14/318  
D621,825 S \* 8/2010 Andre ..... D14/315

D624,911 S \* 10/2010 Lee ..... D14/315  
D626,546 S \* 11/2010 Paek ..... D14/315  
D627,773 S \* 11/2010 Paek ..... D14/315  
D633,487 S \* 3/2011 Kim ..... D14/315

(Continued)

**FOREIGN PATENT DOCUMENTS**

CN 305332351 \* 9/2019  
KR 300931104.0000 \* 11/2017

(Continued)

**OTHER PUBLICATIONS**

Notebook 9, theverge.com, Samsung, published by Dan Seifert on Feb. 15, 2018 (c) 2020 Vox Media, LLC, Available at URL: <https://www.dell.com/en-us/shop/desktop-computers/inspiron-24/5000-all-in-one/spd/inspiron-24/5490-aio> (Year: 2018).\*

(Continued)

*Primary Examiner* — Marissa J Cash  
*Assistant Examiner* — Altaira J Swangin  
(74) *Attorney, Agent, or Firm* — NSIP Law

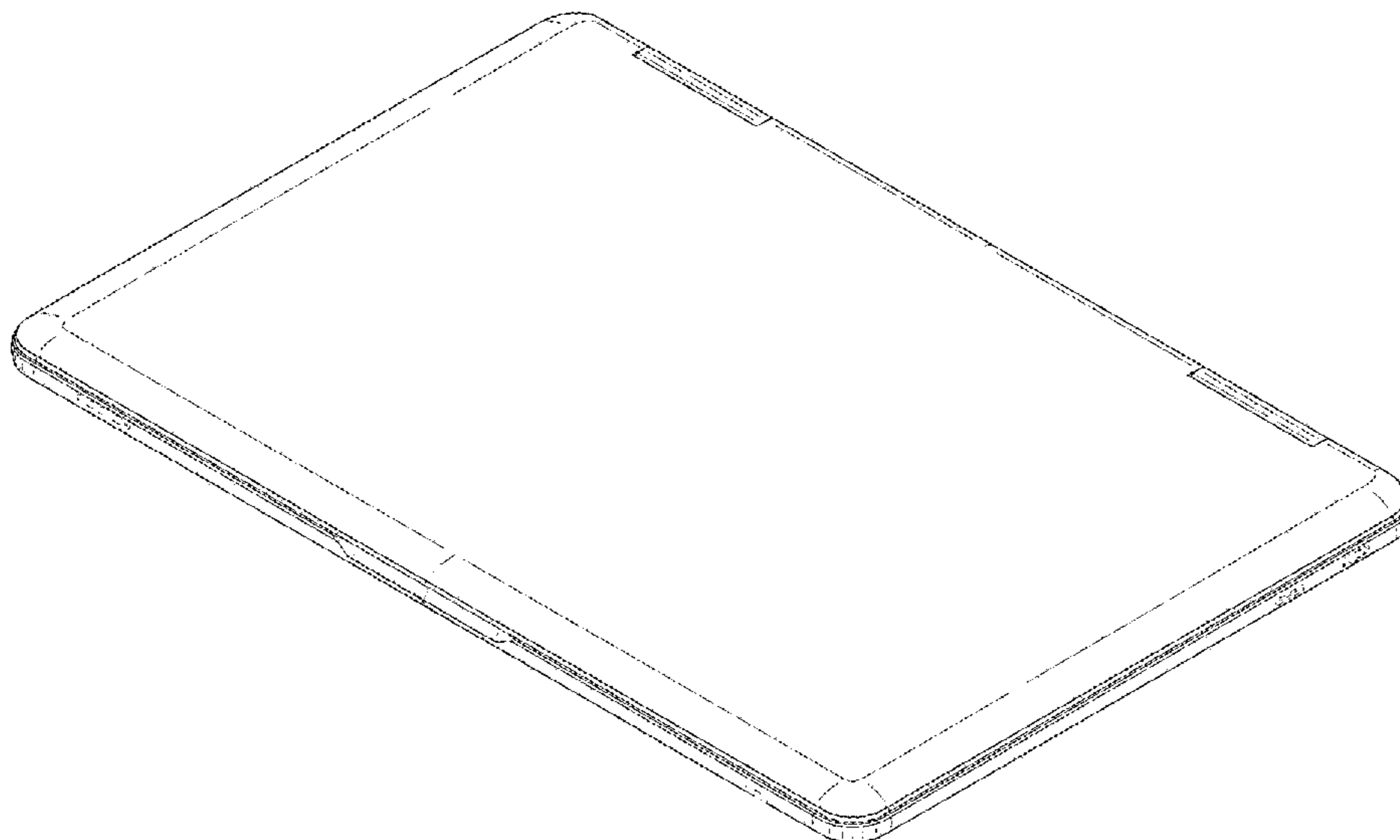
(57) **CLAIM**

We claim the ornamental design for a notebook, as shown and described.

**DESCRIPTION**

FIG. 1 is a top perspective view of a notebook showing our new design;  
FIG. 2 is a front view thereof;  
FIG. 3 is a rear view thereof;  
FIG. 4 is a left-side view thereof;  
FIG. 5 is a right-side view thereof;  
FIG. 6 is a top view thereof;  
FIG. 7 is a bottom view thereof; and,  
FIG. 8 is a bottom perspective view thereof.  
The broken lines in the figures depict portions of the notebook which form no part of the claimed design.

**1 Claim, 4 Drawing Sheets**



(56)

References Cited

U.S. PATENT DOCUMENTS

D636,389 S \* 4/2011 Akana ..... D14/315  
 D638,416 S \* 5/2011 Kawase ..... D14/315  
 D646,677 S \* 10/2011 Moon ..... D14/315  
 D671,111 S \* 11/2012 Kim ..... D14/315  
 D671,536 S \* 11/2012 Fukusawa ..... D14/315  
 D674,399 S \* 1/2013 Welch ..... D14/455  
 D676,040 S \* 2/2013 McManigal ..... D14/315  
 D676,041 S \* 2/2013 McManigal ..... D14/315  
 D676,438 S 2/2013 Akana et al.  
 D705,772 S \* 5/2014 Bowers ..... D14/315  
 D705,773 S \* 5/2014 Tian ..... D14/316  
 D714,777 S \* 10/2014 Chang ..... D14/315  
 D715,289 S \* 10/2014 Heck ..... D14/327  
 D739,854 S \* 9/2015 Bowers ..... D14/315  
 D744,476 S \* 12/2015 Myung ..... D14/315  
 D750,616 S \* 3/2016 Liang ..... D14/318  
 D756,350 S \* 5/2016 Sun ..... D14/315  
 D756,351 S \* 5/2016 Sun ..... D14/315  
 D762,638 S \* 8/2016 Chang ..... D14/315  
 D775,623 S \* 1/2017 Akana ..... D14/315  
 D780,172 S \* 2/2017 Chi ..... D14/315  
 D781,281 S \* 3/2017 Lyles ..... D14/315  
 D781,282 S \* 3/2017 Hsu ..... D14/315  
 D791,120 S \* 7/2017 Leonard ..... D14/316  
 D802,584 S \* 11/2017 Kong ..... D14/315  
 D808,951 S \* 1/2018 Jung ..... D14/316  
 D813,860 S \* 3/2018 Doczy ..... D14/315  
 D820,827 S \* 6/2018 Seoc ..... D14/315  
 D829,710 S \* 10/2018 Seoc ..... D14/315  
 D832,249 S \* 10/2018 Akana ..... D14/315  
 D850,439 S \* 6/2019 Jung ..... D14/315  
 D880,473 S \* 4/2020 Moon ..... D14/327  
 10,705,564 B2 \* 7/2020 Abe ..... G06F 1/1656  
 10,809,763 B2 \* 10/2020 Abe ..... G06F 1/1633  
 D901,485 S \* 11/2020 Ding ..... D14/327  
 D902,198 S \* 11/2020 Sun ..... D14/327

FOREIGN PATENT DOCUMENTS

KR 300955727.0000 \* 5/2018  
 KR 300979341.0000 \* 11/2018  
 KR 301006752 \* 5/2019

OTHER PUBLICATIONS

Samsung. "Notebook 9 Pen 13.3" [2019] www.samsung.com May 13, 2019 <<https://www.samsung.com/us/computing/windows-laptops/notebook-series-9/notebook-9-pen-13-3--np930qaa-k01us/>>.  
 Samsung. "Samsung Notebook 9 Pen: Full Feature Tour" [2017] www.youtube.com Dec. 21, 2017 <[https://www.youtube.com/watch?v=SEnn\\_Afz9bM](https://www.youtube.com/watch?v=SEnn_Afz9bM)>.  
 Tracy, Phillip. "HP Chromebook X360 11 G1 Review." [2018] www.laptopmag.com Nov. 20, 2018 <<https://www.laptopmag.com/reviews/laptops/hp-chromebook-x360-11-g1-education-edition>>.  
 "ASUS VivoBook Flip 14 TP401NA" [2019] www.asus.com May 13, 2019 <<https://www.asus.com/us/2-in-1-PCs/ASUS-VivoBook-Flip-14-TP401NA/gallery/>>.  
 Honguo, Liu. "Google announces Pixelbook Laptop along with Pixelbook Pen stylus." [2017] www.hardwarezone.com Oct. 8, 2017 <<https://www.hardwarezone.com.sg/tech-news-google-announces-pixelbook-laptop-along-pixelbook-pen-stylus>>.  
 Villas-Boas, Antonio. Google just announced its new Pixelbook laptop. [2017] www.businessinsider.com Oct. 4, 2017 <<https://www.businessinsider.com/google-just-announced-its-new-pixelbook-laptop-2017-10?r=UK>>.  
 ASUS. "2018 ASUS VivoBook 14" Ultra-Slim FHD Ultrabook Laptop Computer, AMD A9-9420 up to 3.6GHz, 8GB DDR4 RAM, 256GB SSD, USB 3.1, HDMI, DVD, WiFi, Bluetooth, Windows 10" [2018] www.amazon.com May 2, 2018 <<https://www.amazon.com/Asus-VivoBook-Ultra-Slim-Ultrabook-Bluetooth/dp/B07CSVH1H7>>.

\* cited by examiner

FIG.1

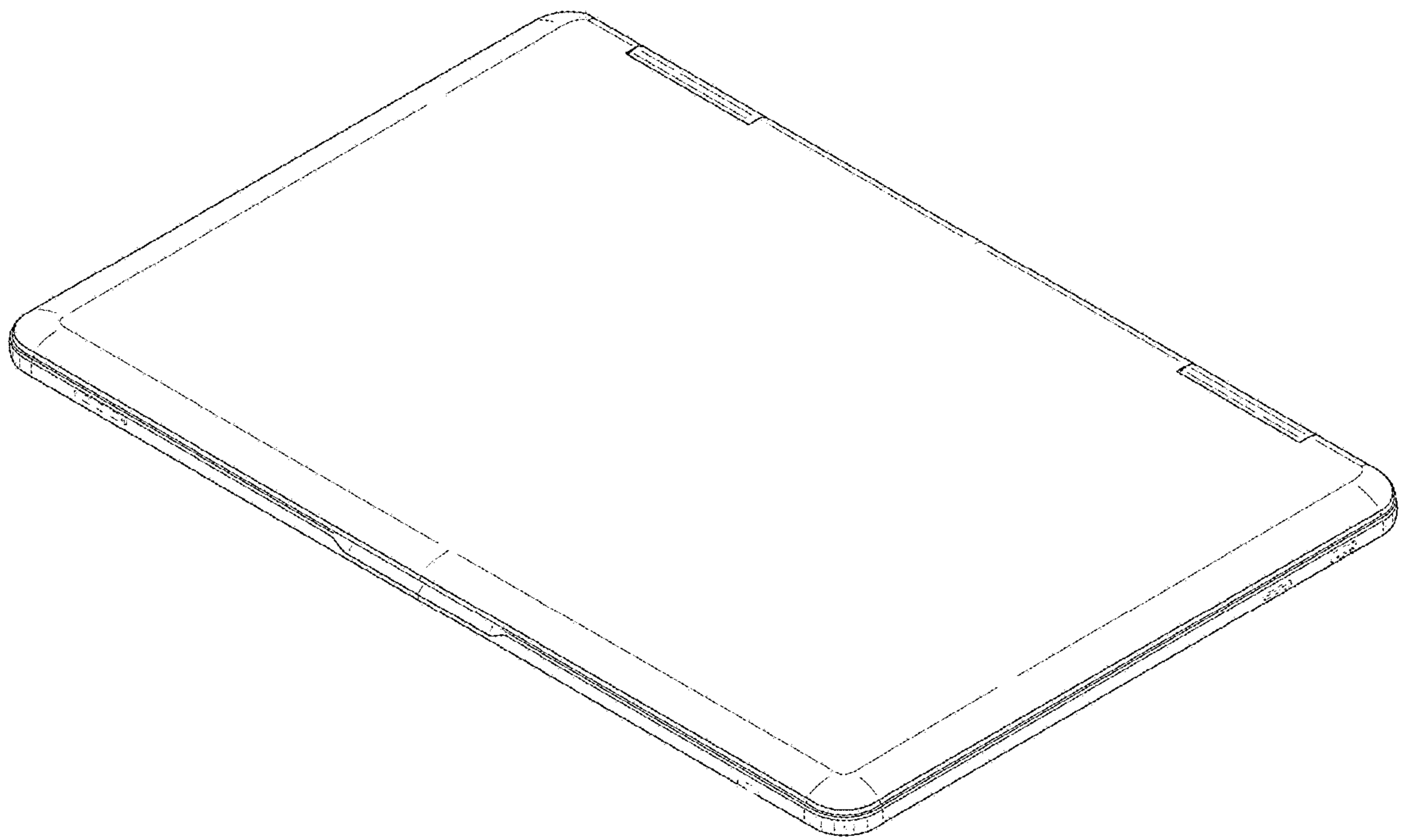


FIG.2

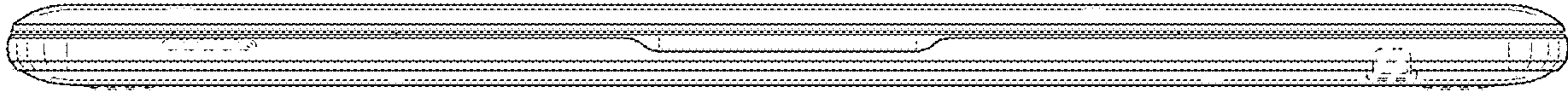


FIG.3

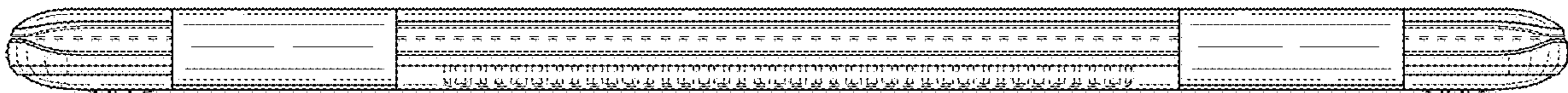


FIG.4

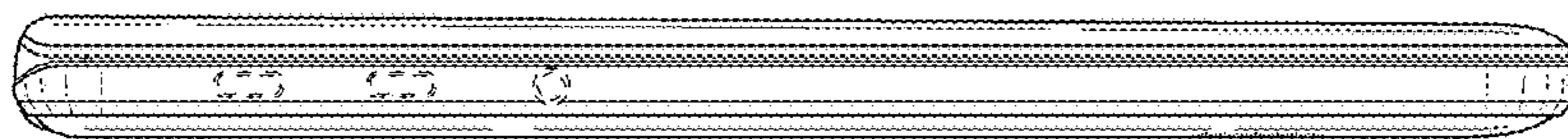


FIG.5





FIG.6

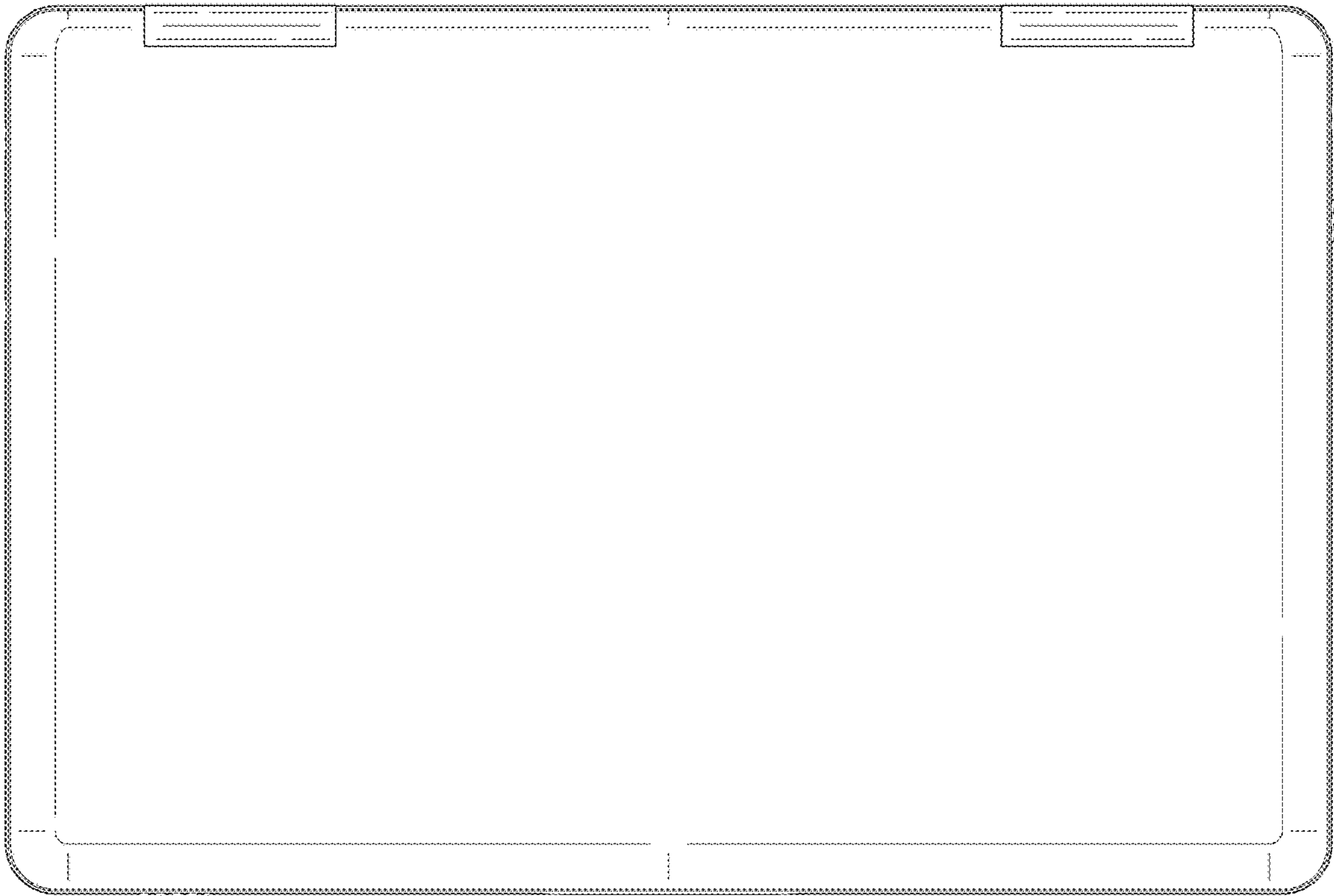


FIG.7

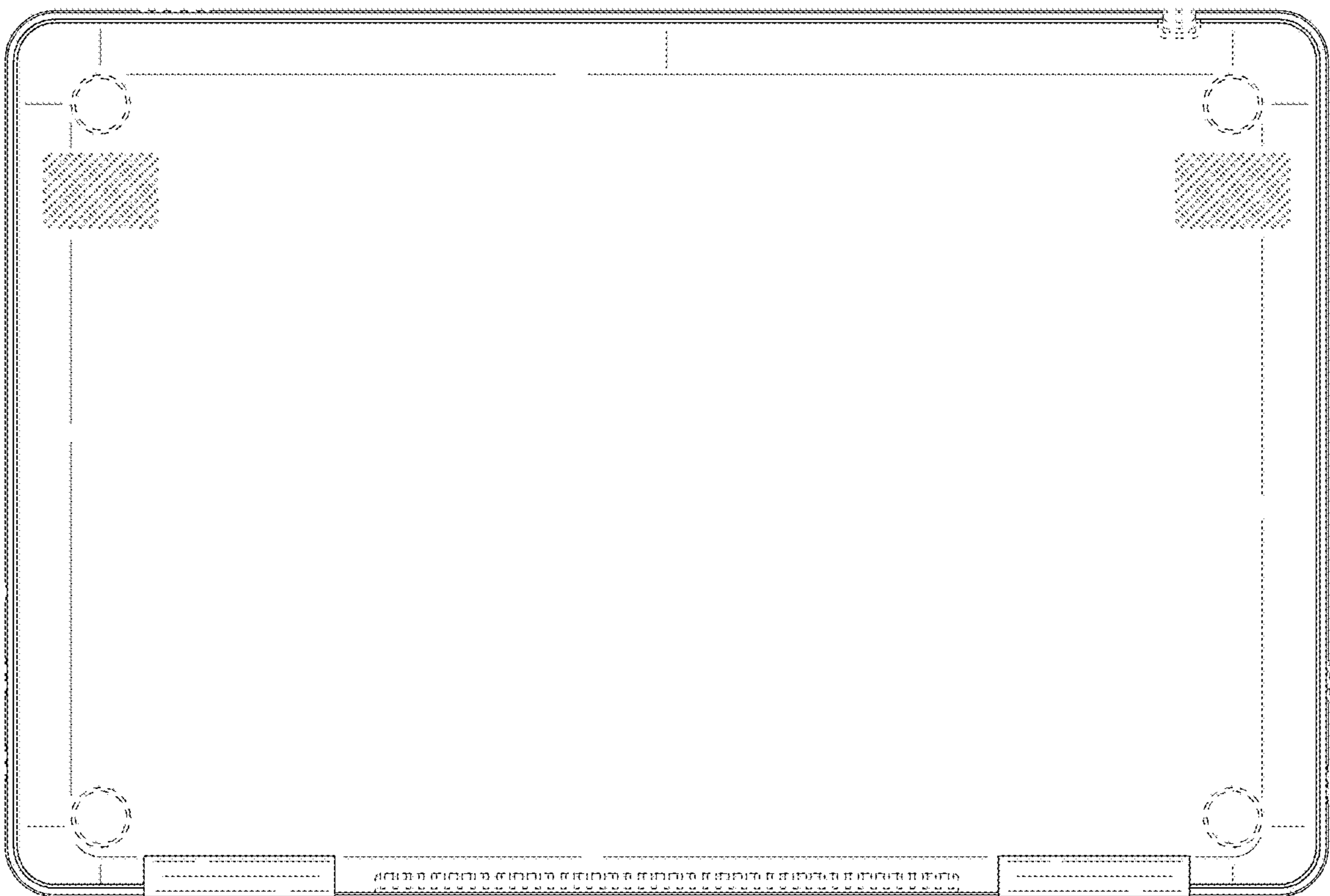


FIG.8

