



US00D916075S

(12) **United States Design Patent**
Jung et al.

(10) **Patent No.:** **US D916,075 S**
(45) **Date of Patent:** **** Apr. 13, 2021**

(54) **NOTEBOOK COMPUTER**

(71) Applicant: **SAMSUNG ELECTRONICS CO., LTD.**, Suwon-si (KR)

(72) Inventors: **Seungho Jung**, Seoul (KR); **Junghyun Park**, Seoul (KR); **Iksang Kim**, Seoul (KR); **Dongseok Lee**, Seoul (KR)

(73) Assignee: **SAMSUNG ELECTRONICS CO., LTD.**, Gyeonggi-Do (KR)

(**) Term: **15 Years**

(21) Appl. No.: **29/660,940**

(22) Filed: **Aug. 23, 2018**

(30) **Foreign Application Priority Data**

Mar. 16, 2018 (KR) 30-2018-0012733

(51) **LOC (13) Cl.** **14-02**

(52) **U.S. Cl.**
USPC **D14/315**

(58) **Field of Classification Search**
USPC D14/371, 376, 315-327, 341, 439;
D3/900; 361/679.09, 679.26-679.27
CPC B41J 5/00; B41J 5/10; B41J 5/12; F16M
11/10; G06F 3/0219; G06F 3/02; G06F
1/16; G06F 1/1616
See application file for complete search history.

(56) **References Cited**

U.S. PATENT DOCUMENTS

D600,688 S * 9/2009 Andre D14/327
D604,289 S * 11/2009 Andre D14/315
D604,293 S 11/2009 Andre et al.
D611,045 S * 3/2010 Andre D14/327
D611,469 S * 3/2010 Andre D14/315
D616,881 S * 6/2010 Andre D14/318
D621,825 S * 8/2010 Andre D14/315
D624,911 S * 10/2010 Lee D14/315
D633,487 S * 3/2011 Kim D14/315

D638,416 S * 5/2011 Kawase D14/315
D643,425 S * 8/2011 Jung D14/315
D646,677 S * 10/2011 Moon D14/315

(Continued)

FOREIGN PATENT DOCUMENTS

CN 305203116 * 6/2019
KR 300979341.0000 * 11/2018

OTHER PUBLICATIONS

Notebook 9, theverge.com, Samsung, published by Dan Seifert on Feb. 15, 2018 © 2020 Vox Media, LLC, Available at URL: <https://www.dell.com/en-us/shop/desktop-computers/inspiron-24/5000-all-in-one/spd/inspiron-24/5490-aio> (Year: 2018) (Year: 2018).*

Primary Examiner — Marissa J Cash

Assistant Examiner — Altaira J Swangin

(74) *Attorney, Agent, or Firm* — Cantor Colburn LLP

(57) **CLAIM**

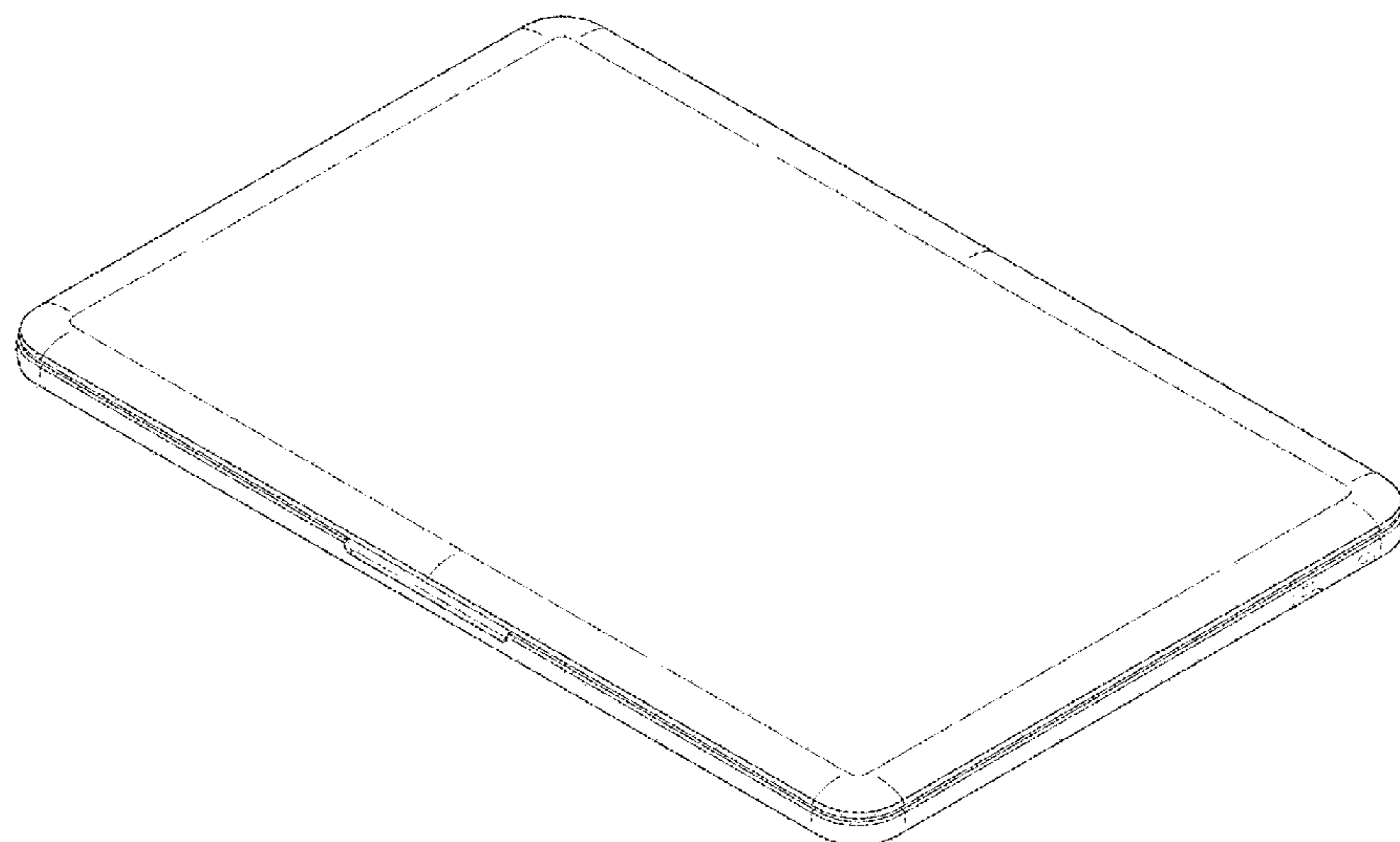
The ornamental design for a notebook computer, as shown and described.

DESCRIPTION

FIG. 1 is a top front perspective view of a notebook computer showing our new design;
FIG. 2 is a front view thereof;
FIG. 3 is a rear view thereof;
FIG. 4 is a left-side view thereof;
FIG. 5 is a right-side view thereof;
FIG. 6 is a top view thereof;
FIG. 7 is a bottom view thereof;
FIG. 8 is a rear perspective view thereof; and,
FIG. 9 is another top view thereof showing an unfolded state of the notebook computer.

The broken lines illustrating portions of the notebook computer form no part of the claimed design. The portions between the solid line perimeter edges and the broken lines in FIG. 9 form no part of the claimed design.

1 Claim, 5 Drawing Sheets



(56)

References Cited

U.S. PATENT DOCUMENTS

D671,536	S	*	11/2012	Fukusawa	D14/315
D674,399	S	*	1/2013	Welch	D14/455
D676,040	S	*	2/2013	McManigal	D14/315
D676,041	S	*	2/2013	McManigal	D14/315
D686,205	S	*	7/2013	Akana	D14/318
D705,772	S	*	5/2014	Bowers	D14/315
D705,773	S	*	5/2014	Tian	D14/316
D714,777	S	*	10/2014	Chang	D14/315
D715,289	S	*	10/2014	Heck	D14/327
D739,854	S	*	9/2015	Bowers	D14/315
D750,616	S	*	3/2016	Liang	D14/318
D756,350	S	*	5/2016	Sun	D14/315
D756,351	S	*	5/2016	Sun	D14/315
D762,638	S	*	8/2016	Chang	D14/315
D775,623	S		1/2017	Akana et al.		
D780,172	S	*	2/2017	Chi	D14/315
D781,281	S	*	3/2017	Lyles	D14/315
D781,282	S	*	3/2017	Hsu	D14/315
D787,500	S		5/2017	Akana et al.		
D791,120	S	*	7/2017	Leonard	D14/316
D802,584	S	*	11/2017	Kong	D14/315
D808,951	S	*	1/2018	Jung	D14/316
D820,827	S	*	6/2018	Seoc	D14/315
D829,710	S	*	10/2018	Seoc	D14/315
D850,439	S	*	6/2019	Jung	D14/315
D880,473	S	*	4/2020	Moon	D14/327
10,705,564	B2	*	7/2020	Abe	G06F 1/1656
10,809,763	B2	*	10/2020	Abe	G06F 1/1633
D901,485	S	*	11/2020	Ding	D14/327
D902,198	S	*	11/2020	Sun	D14/327

* cited by examiner

FIG.1

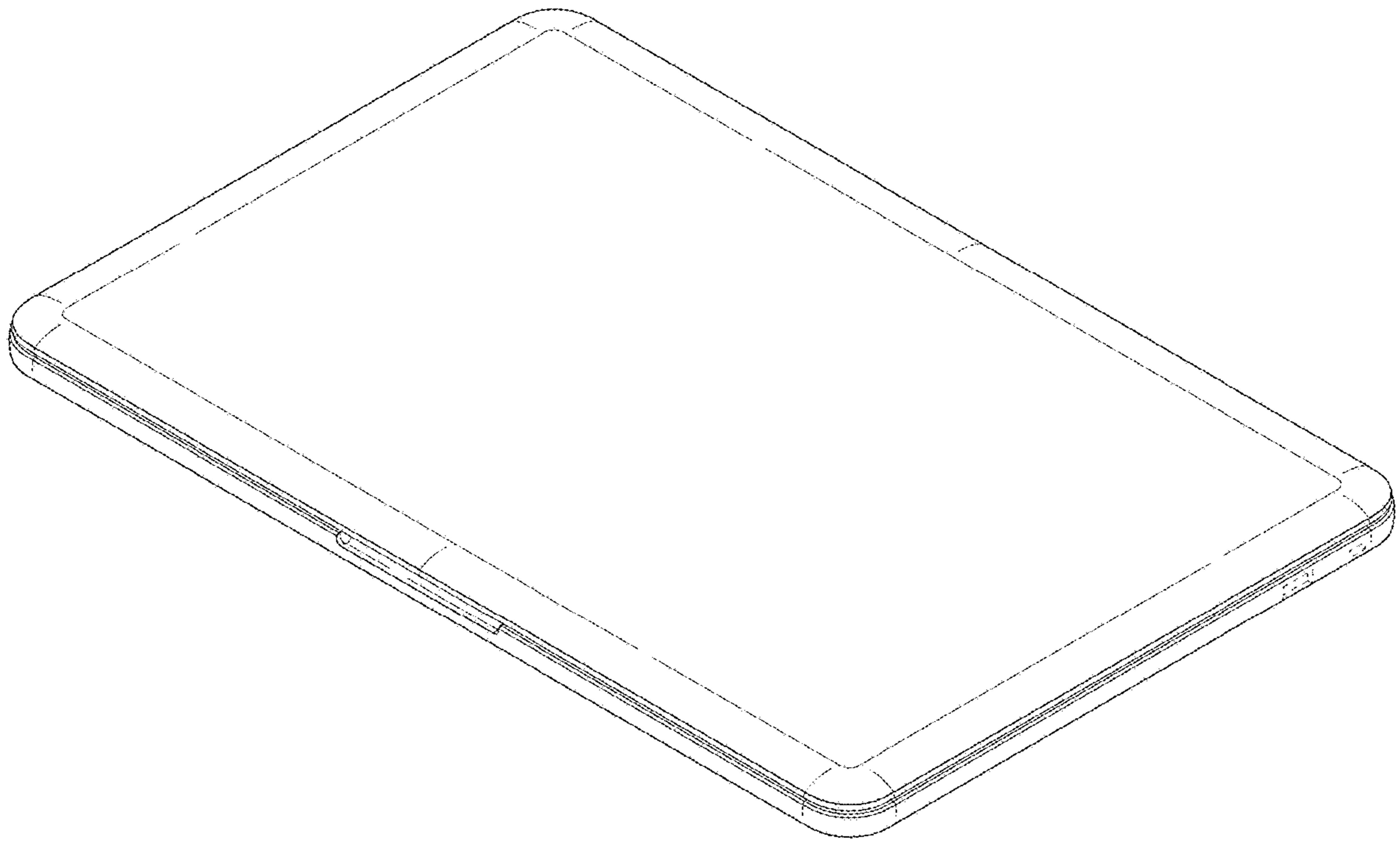


FIG.2

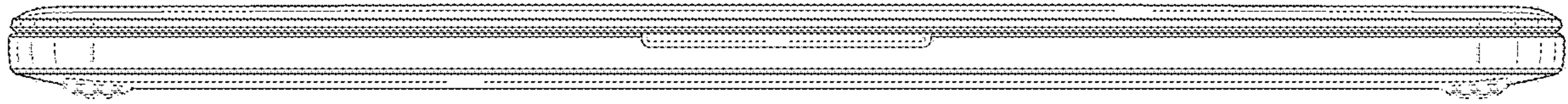


FIG.3

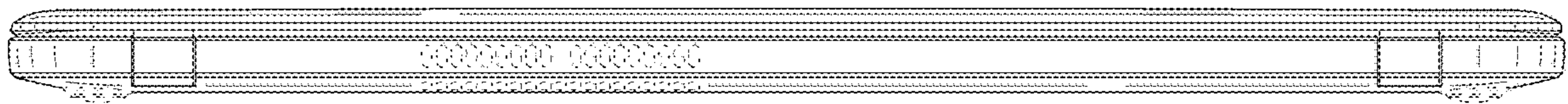


FIG.4

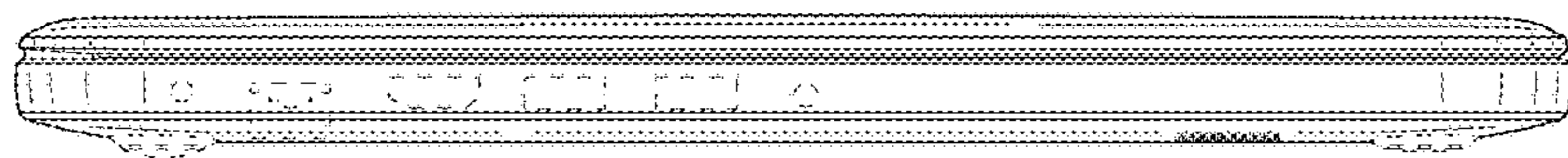


FIG.5



FIG.6

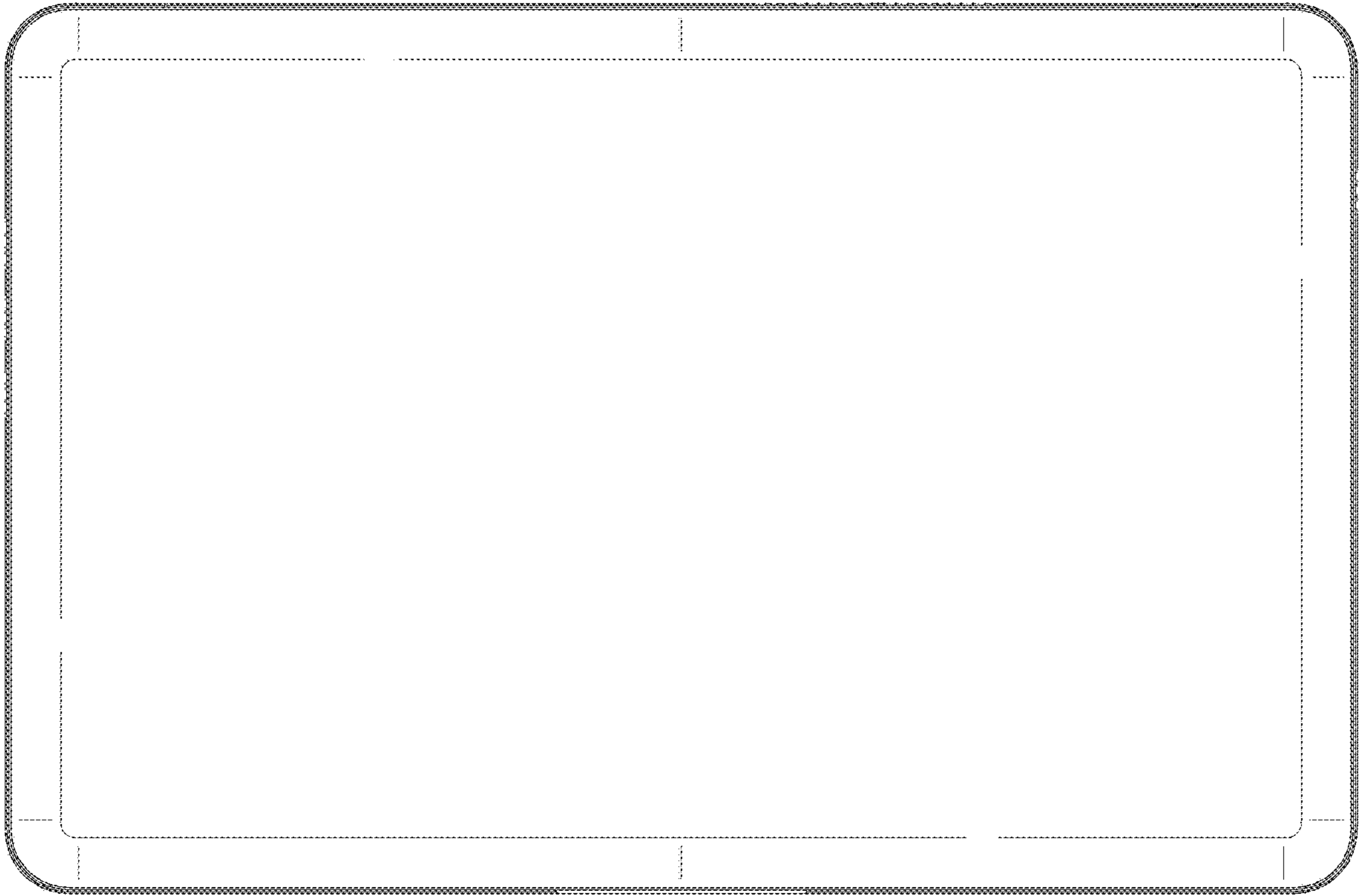


FIG.7

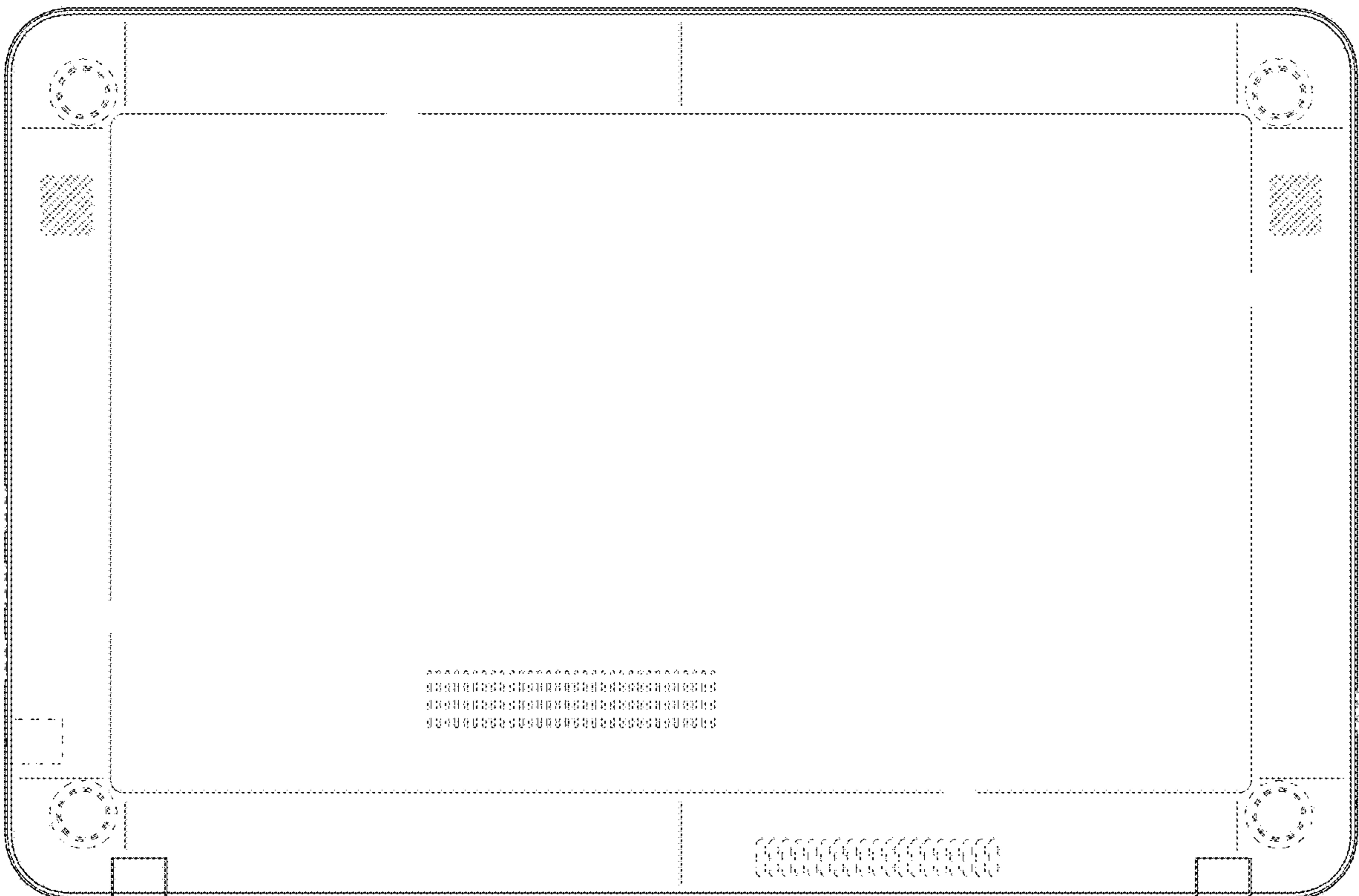


FIG.8

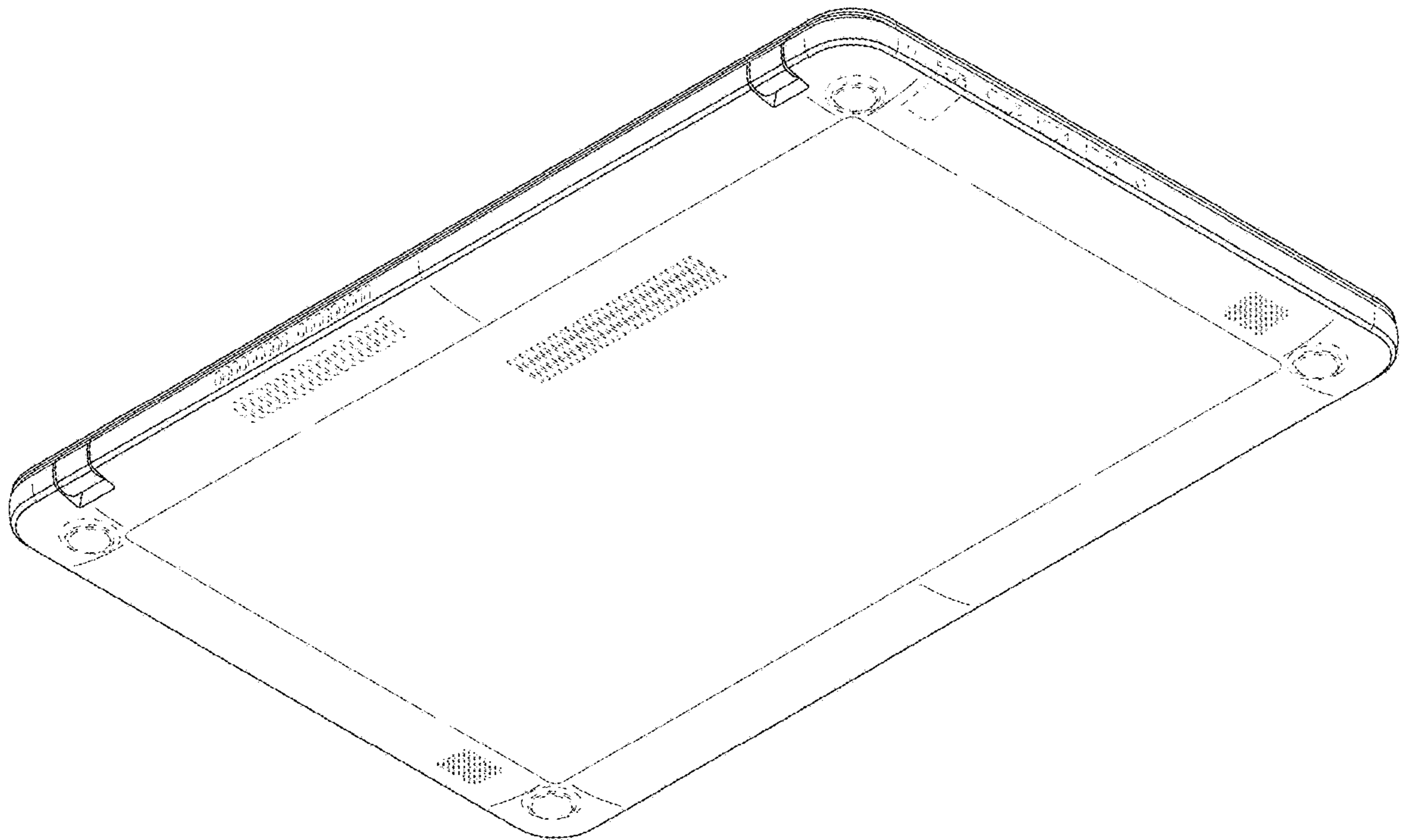


FIG.9

