



US00D916074S

(12) **United States Design Patent** (10) **Patent No.:** **US D916,074 S**
Kesuma et al. (45) **Date of Patent:** **** Apr. 13, 2021**

(54) **MULTIMEDIA RECEIVER / SPEAKER SYSTEM**

(71) Applicant: **MAGNADYNE CORPORATION**,
Compton, CA (US)

(72) Inventors: **Husin Kesuma**, Rowland Heights, MI
(US); **Wen-Tsan Yeh**, Torrance, CA
(US)

(73) Assignee: **MAGNADYNE CORPORATION**,
Compton, CA (US)

(**) Term: **15 Years**

(21) Appl. No.: **29/698,799**

(22) Filed: **Jul. 19, 2019**

(51) **LOC (13) Cl.** **14-03**

(52) **U.S. Cl.**

USPC **D14/257**; D14/168; D14/214; D14/194

(58) **Field of Classification Search**

USPC D14/496-511, 155, 168-172, 176,
D14/188-196, 203.1-203.8, 204,
D14/214-216; 181/148, 198-199

CPC B60K 35/00; B60K 37/00; B60K 37/02;
B60K 37/06; B60R 11/02; G11B 17/02;
G11B 17/04; H04R 1/02; H04R 1/345;
H04R 2400/00; H04N 5/64; H04S 7/00

See application file for complete search history.

(56) **References Cited**

U.S. PATENT DOCUMENTS

D472,542 S * 4/2003 Oikawa D14/172
D483,753 S * 12/2003 Goodsene D14/257
D538,266 S * 3/2007 Yoon D14/214
D576,606 S * 9/2008 Sanguinetti D14/214
D589,939 S * 4/2009 Hsu H04R 1/025
D14/214
D653,239 S * 1/2012 Kim D14/215
D667,844 S * 9/2012 Cho D14/499

D672,749 S * 12/2012 Onoue D14/214
D757,687 S * 5/2016 White D14/214
D823,831 S * 7/2018 Kim D14/215
D826,214 S * 8/2018 Kim D14/210
D835,072 S * 12/2018 Won D14/216
D853,356 S * 7/2019 Werle D14/216
D861,640 S * 10/2019 Werle D14/214
D861,641 S * 10/2019 Werle D14/214

OTHER PUBLICATIONS

Photograph, Date taken 2002.
Photograph, Furrion_soundbar, Date taken Dec. 14, 2018 at Gulf Stream.
Photograph, Furrion_soundbar_2, Date taken: Dec. 14, 2018 at Gulf Stream.
Photograph, Furrion_system, Date taken Mar. 5, 2019 at Coachman RV.
Photograph, Furrion_system_2, Date taken Mar. 5, 2019 at Coachman RV.

* cited by examiner

Primary Examiner — Sandra L Morris

(74) *Attorney, Agent, or Firm* — Brooks Kushman P.C.

(57) **CLAIM**

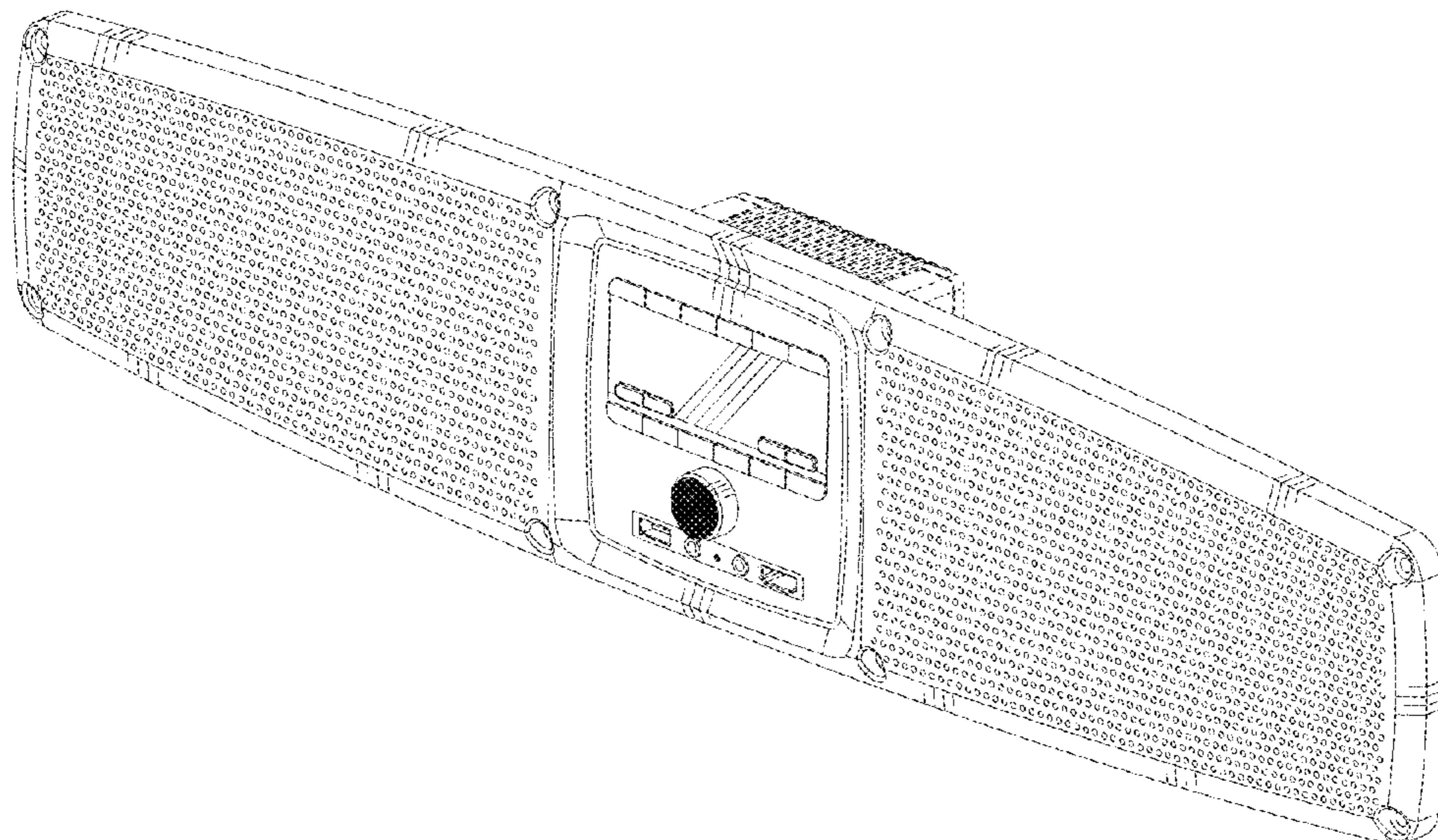
The ornamental design for a multimedia receiver / speaker system, as shown and described.

DESCRIPTION

FIG. 1 is a perspective view of a multimedia receiver / speaker system showing my new design; FIG. 2 is a left side elevation view thereof; FIG. 3 is a right side elevation view thereof; FIG. 4 is a front elevation view thereof; FIG. 5 is a rear elevation view thereof; FIG. 6 is a bottom plan view thereof; and, FIG. 7 is a top plan view thereof.

The broken lines are for illustrative purposes only and form no part of the claimed design.

1 Claim, 3 Drawing Sheets



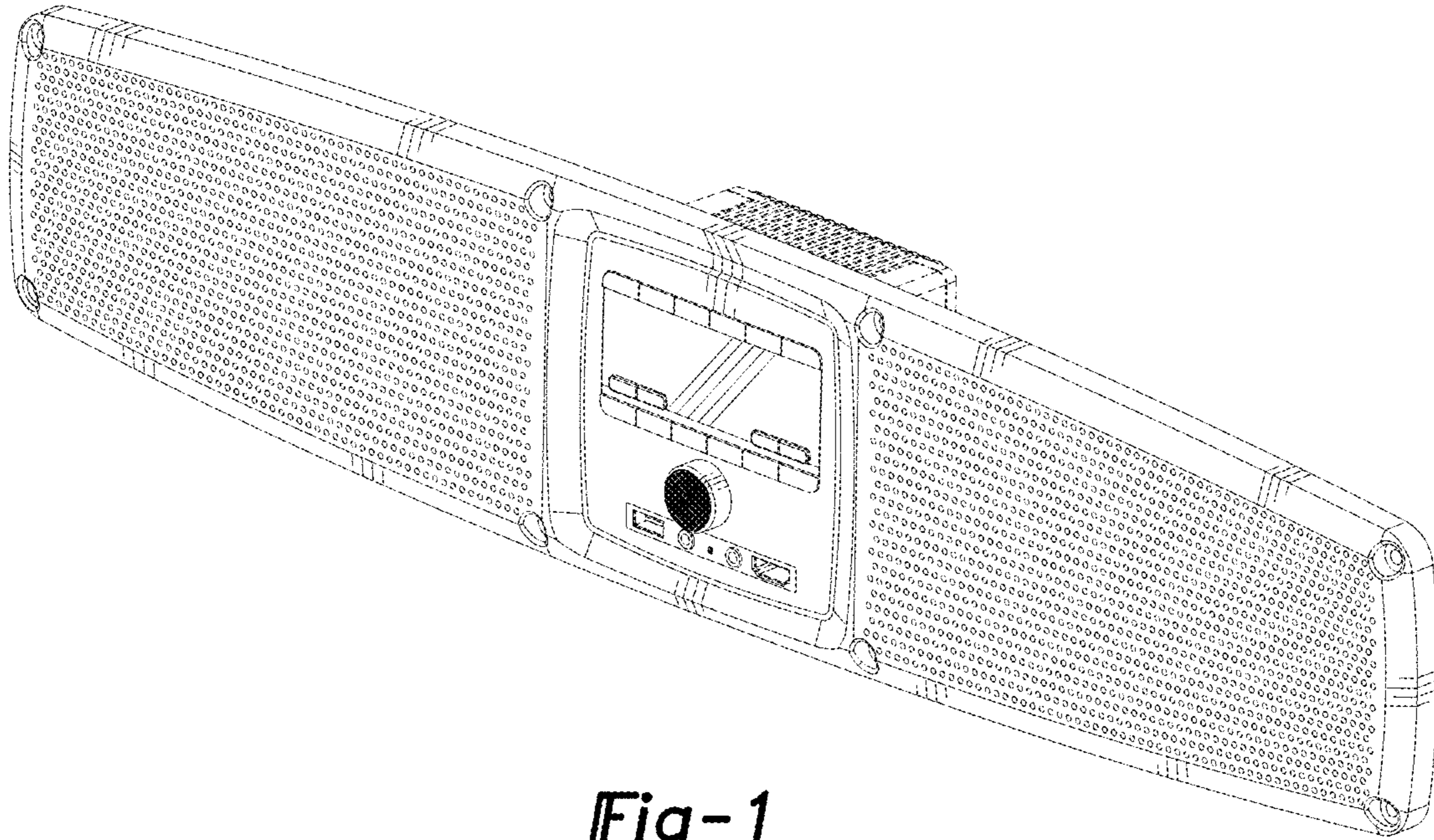


Fig-1

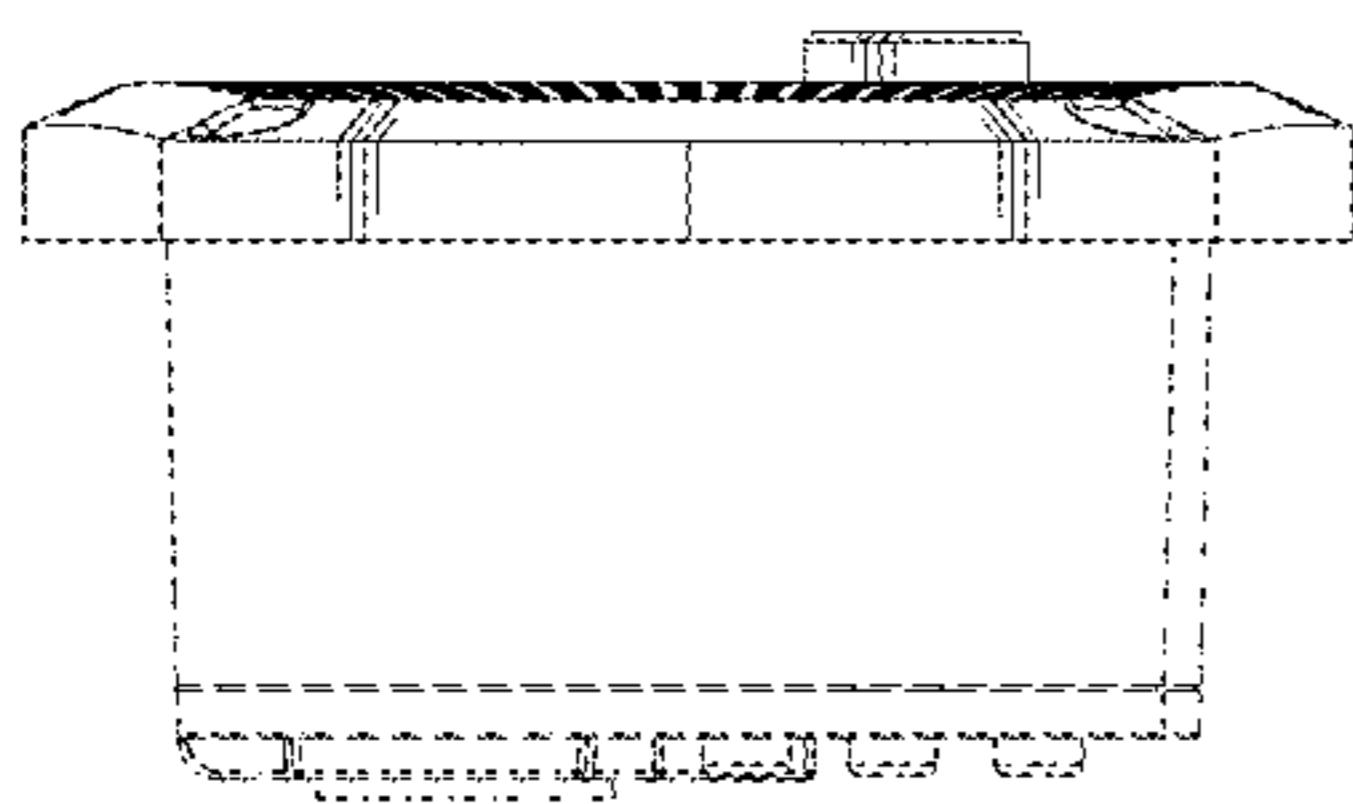


Fig-2

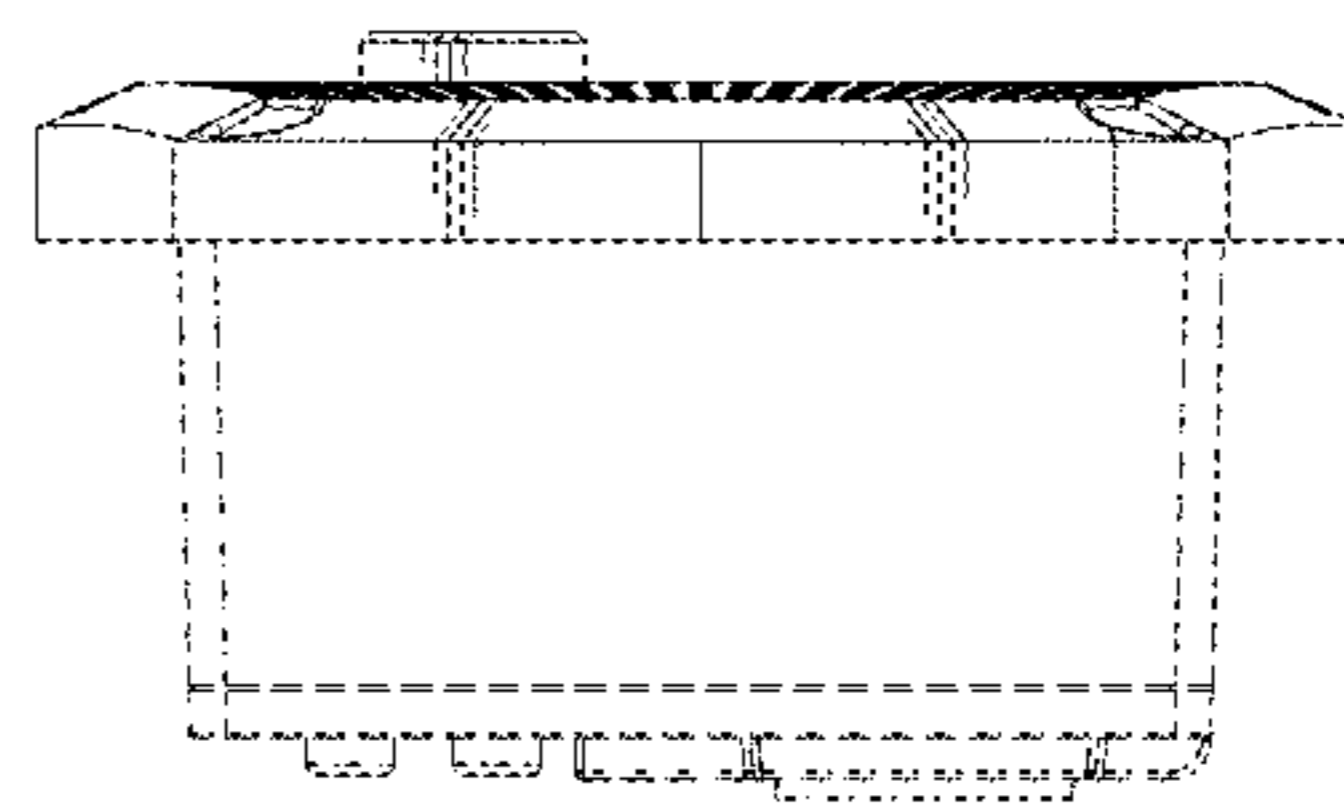


Fig-3

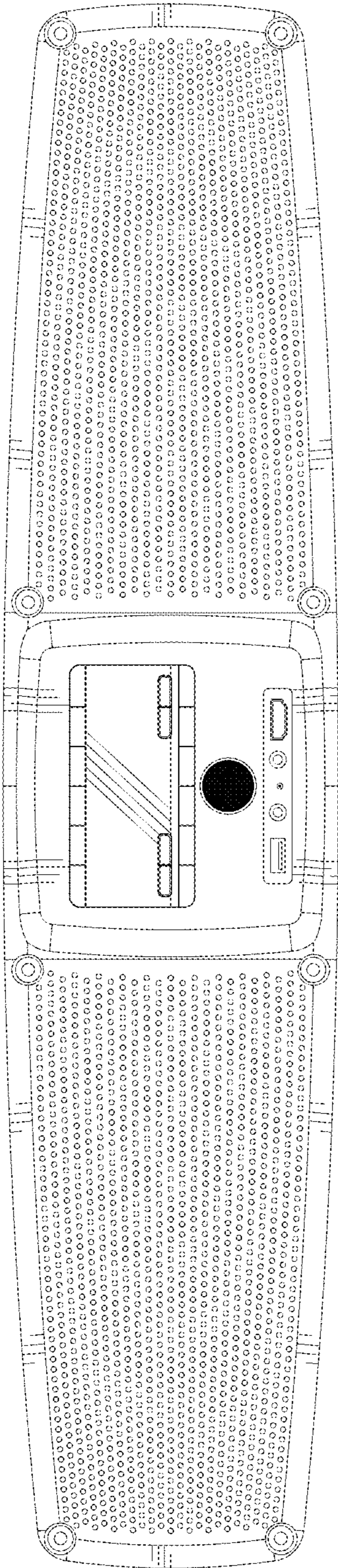


Fig-4

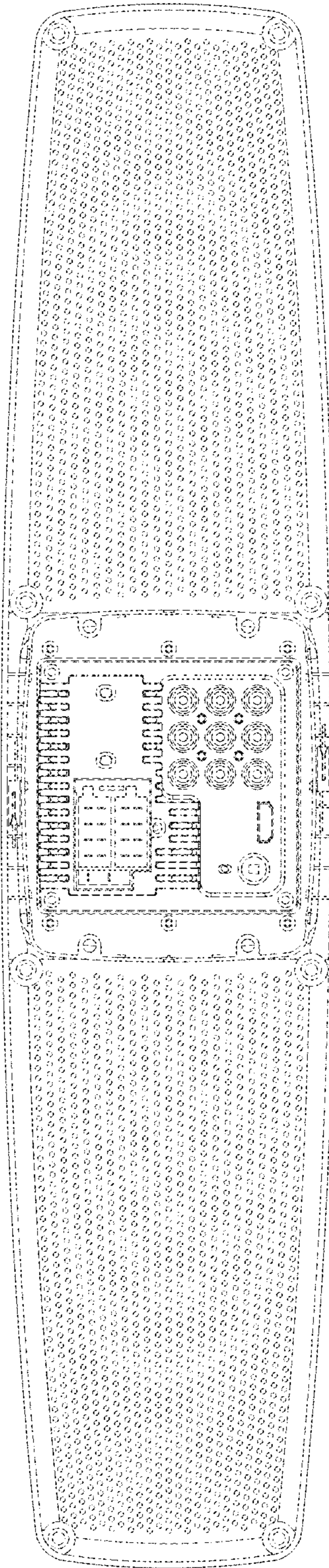


Fig-5

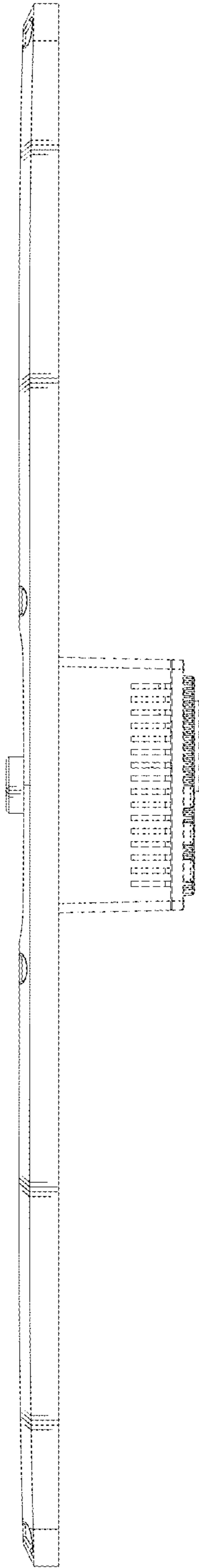


Fig-6

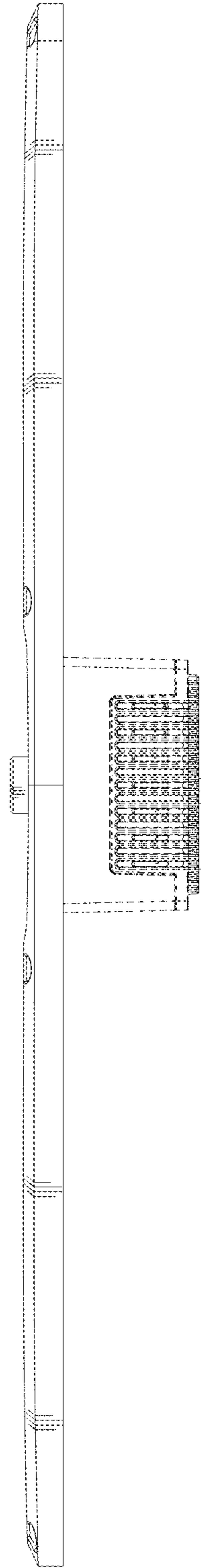


Fig-7