



US00D916073S

(12) **United States Design Patent** (10) **Patent No.:** **US D916,073 S**
Li (45) **Date of Patent:** **** Apr. 13, 2021**

(54) **MOBILE DEVICE STAND**

(71) Applicant: **Superior Communications, Inc.**,
Irwindale, CA (US)

(72) Inventor: **Ming Shiuan Li**, Irwindale, CA (US)

(73) Assignee: **SUPERIOR COMMUNICATIONS, INC.**, Irwindale, CA (US)

(**) Term: **15 Years**

(21) Appl. No.: **29/703,958**

(22) Filed: **Aug. 30, 2019**

(51) **LOC (13) Cl.** **14-03**

(52) **U.S. Cl.**
USPC **D14/253**

(58) **Field of Classification Search**
USPC D14/217, 251–253, 447, 452, 432–434,
D14/440; D12/415; D3/218; D8/349,
D8/363, 394–396; D16/242–244
CPC H04M 1/02; H04M 1/04; B60R 11/02;
F16M 11/00; F16M 11/04; F16M 11/06;
F16M 13/02; F16M 13/00; H05K 7/00;
H05K 5/02; A47G 1/17
See application file for complete search history.

(56) **References Cited**

U.S. PATENT DOCUMENTS

D644,428 S *	9/2011	Feng	D3/218
D689,479 S *	9/2013	Soffer	D14/253
D786,235 S *	5/2017	Huotari	D14/253
D841,641 S *	2/2019	Huang	D14/253
D842,851 S *	3/2019	Leitman	D14/253
D864,188 S *	10/2019	Che	D14/253
D878,350 S *	3/2020	Stagge	D14/253
D883,272 S *	5/2020	Park	D14/253

D894,167 S *	8/2020	Feller	D14/251
D894,889 S *	9/2020	Feller	D14/251
2012/0006950 A1 *	1/2012	Vandiver	F16M 11/105 248/176.3

* cited by examiner

Primary Examiner — Janice Hallmark

(74) *Attorney, Agent, or Firm* — Snell & Wilmer LLP

(57) **CLAIM**

The ornamental design for a mobile device stand, as shown and described.

DESCRIPTION

FIG. 1 is an elevated perspective view of a mobile device stand in an open position in a first orientation, showing my new design;

FIG. 2 is an elevated perspective view of the mobile device stand in an open position in a second orientation;

FIG. 3 is a left side view thereof;

FIG. 4 is a right side view thereof;

FIG. 5 is a top plan view thereof;

FIG. 6 is a back plan view thereof;

FIG. 7 is a top side view thereof;

FIG. 8 is a bottom side view thereof;

FIG. 9 is an elevated perspective view of the mobile device stand in a closed position in a first orientation;

FIG. 10 is an elevated perspective view of the mobile device stand in a closed position in a second orientation;

FIG. 11 is a left side view thereof;

FIG. 12 is a right side view thereof;

FIG. 13 is a top plan view thereof;

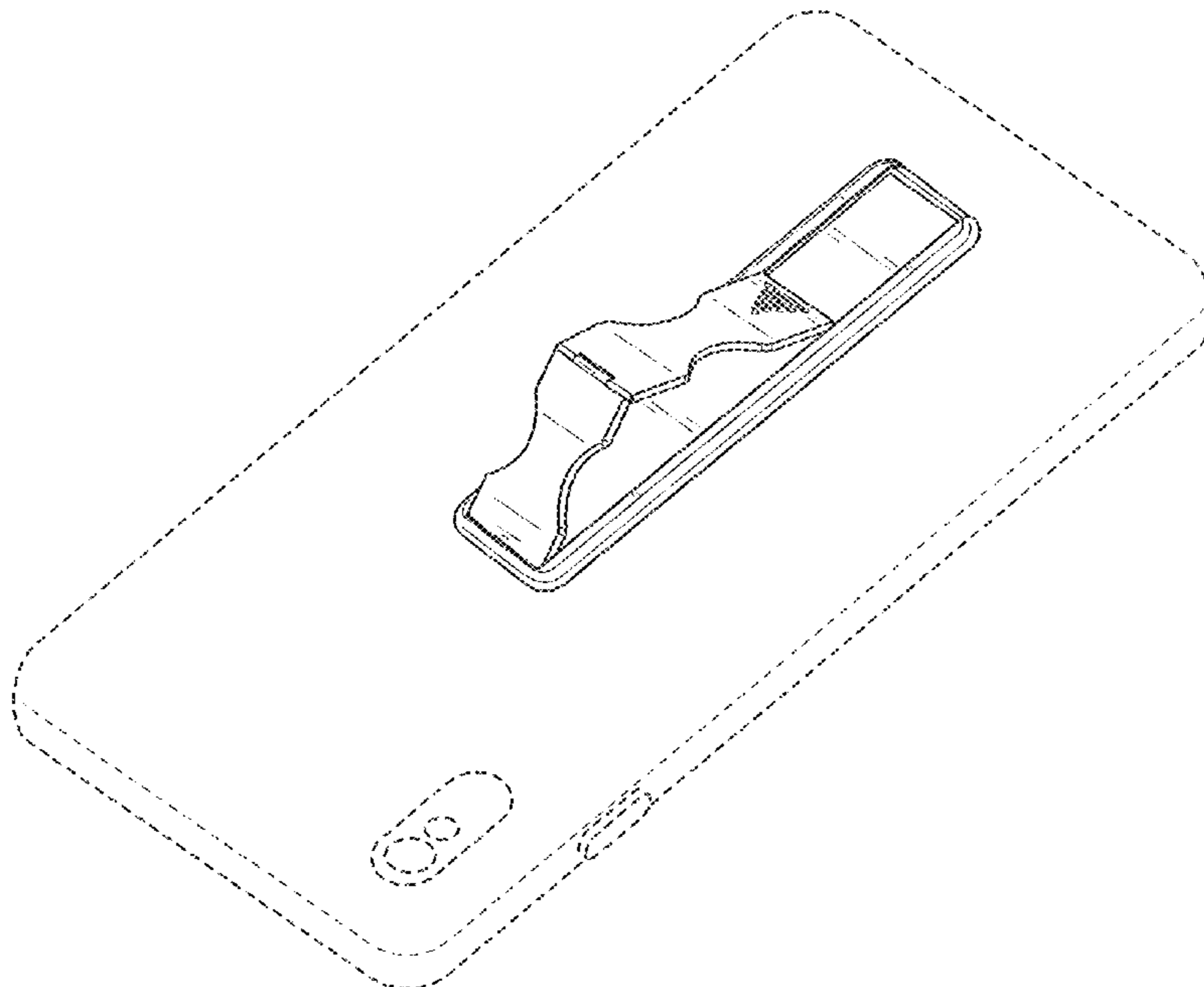
FIG. 14 is a back plan view thereof;

FIG. 15 is a top side view thereof; and,

FIG. 16 is a bottom side view thereof.

The broken lines shown in FIGS. 1, 2, 9, and 10 depict a mobile device that forms no part of the claimed design.

1 Claim, 14 Drawing Sheets



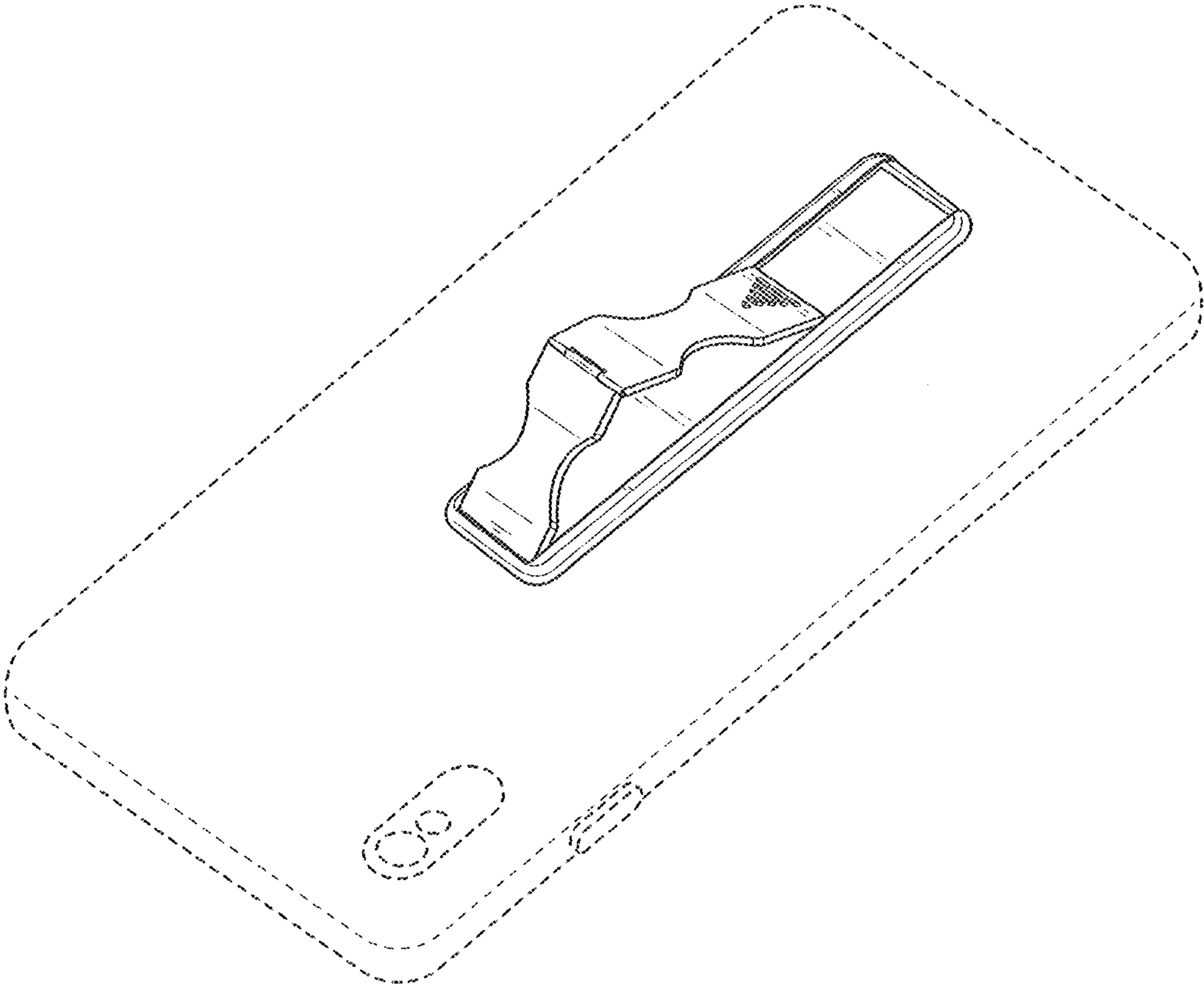


FIG. 1

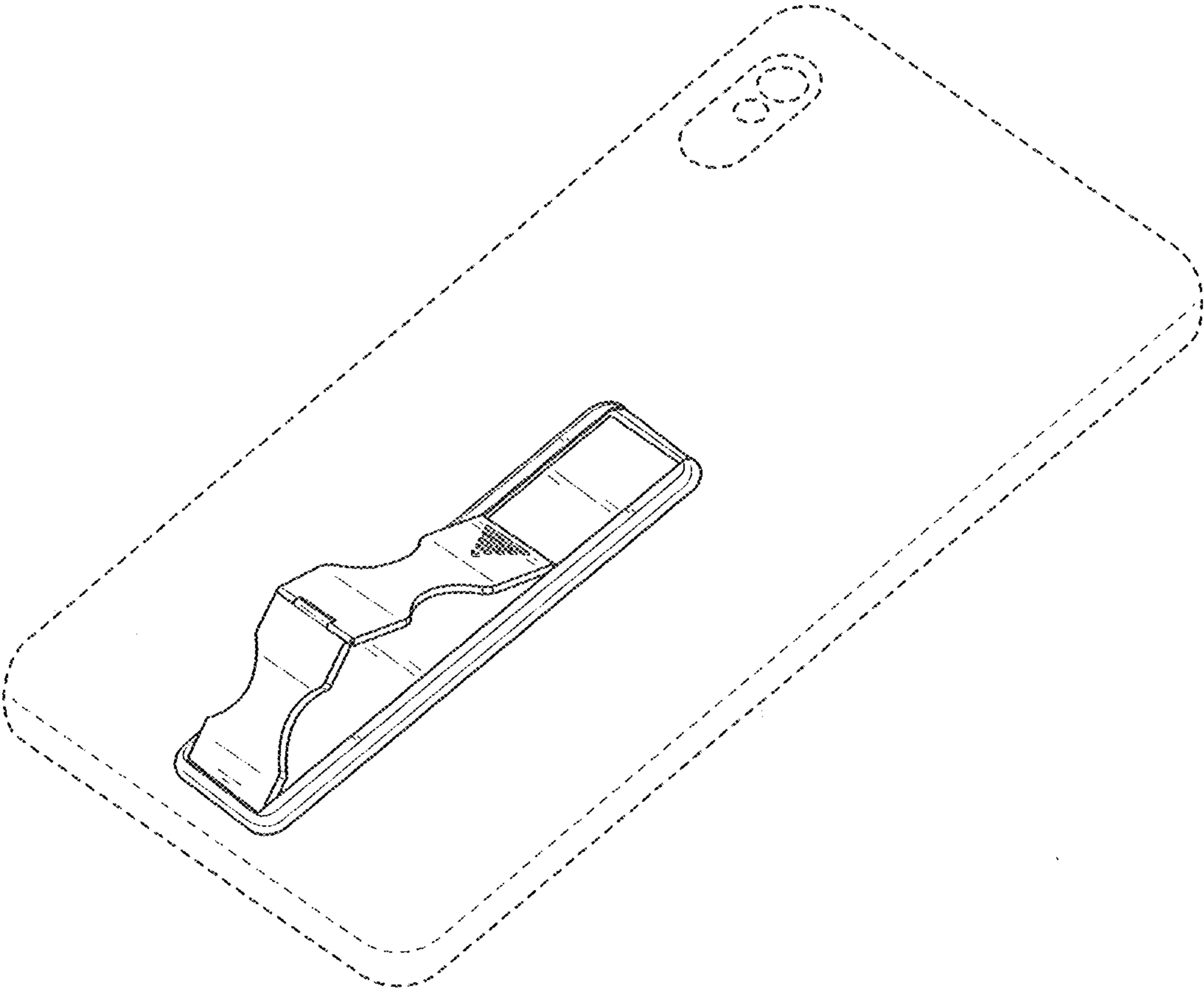


FIG. 2

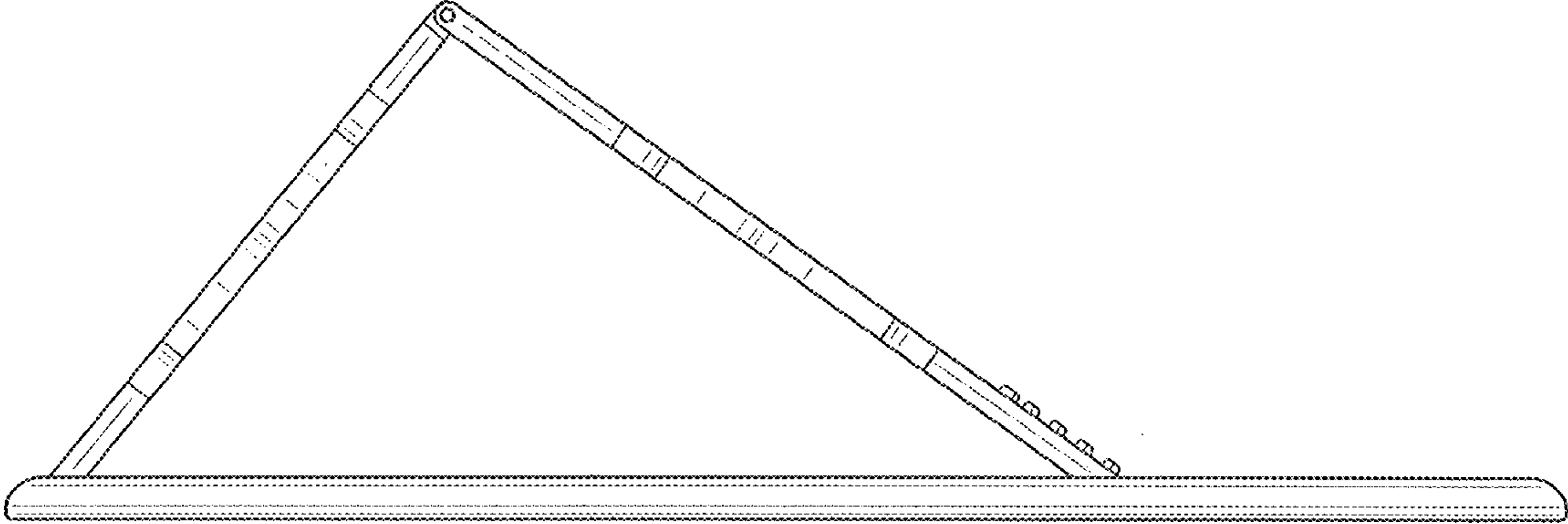


FIG. 3

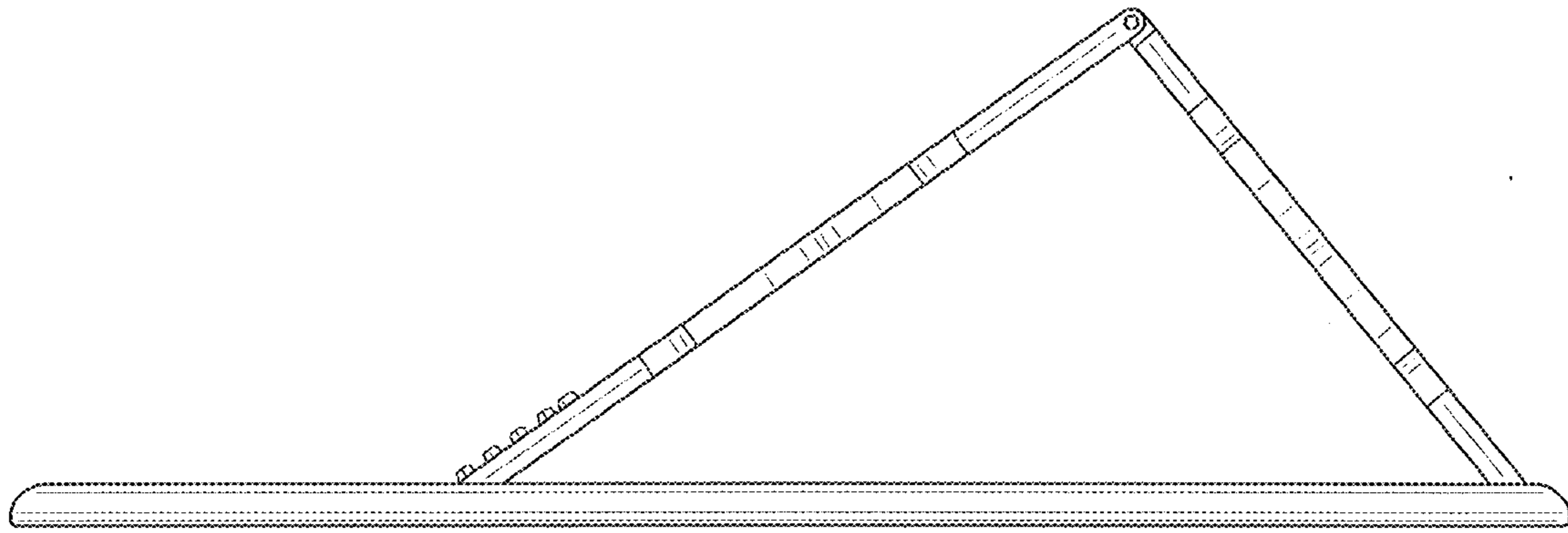


FIG. 4

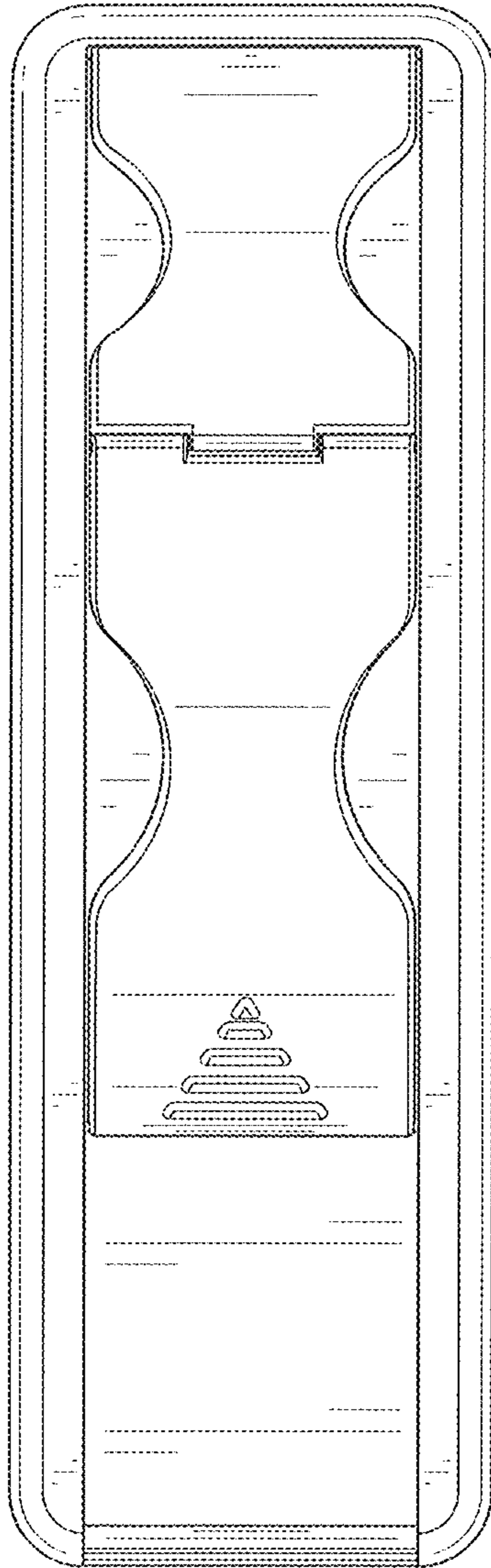


FIG. 5

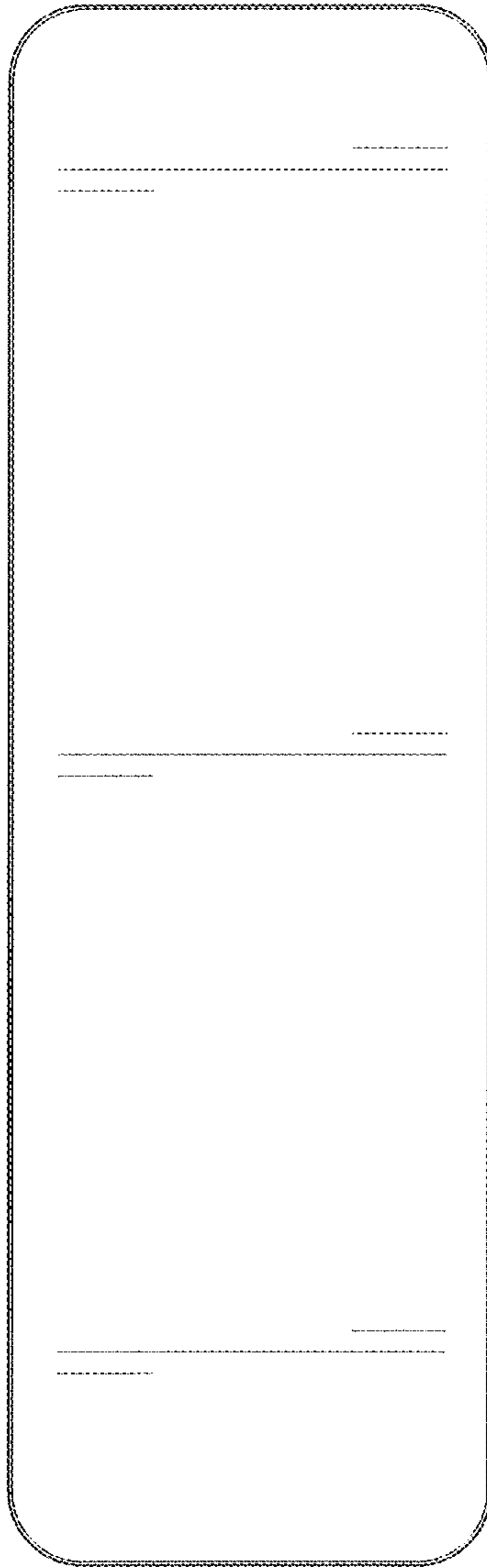


FIG. 6

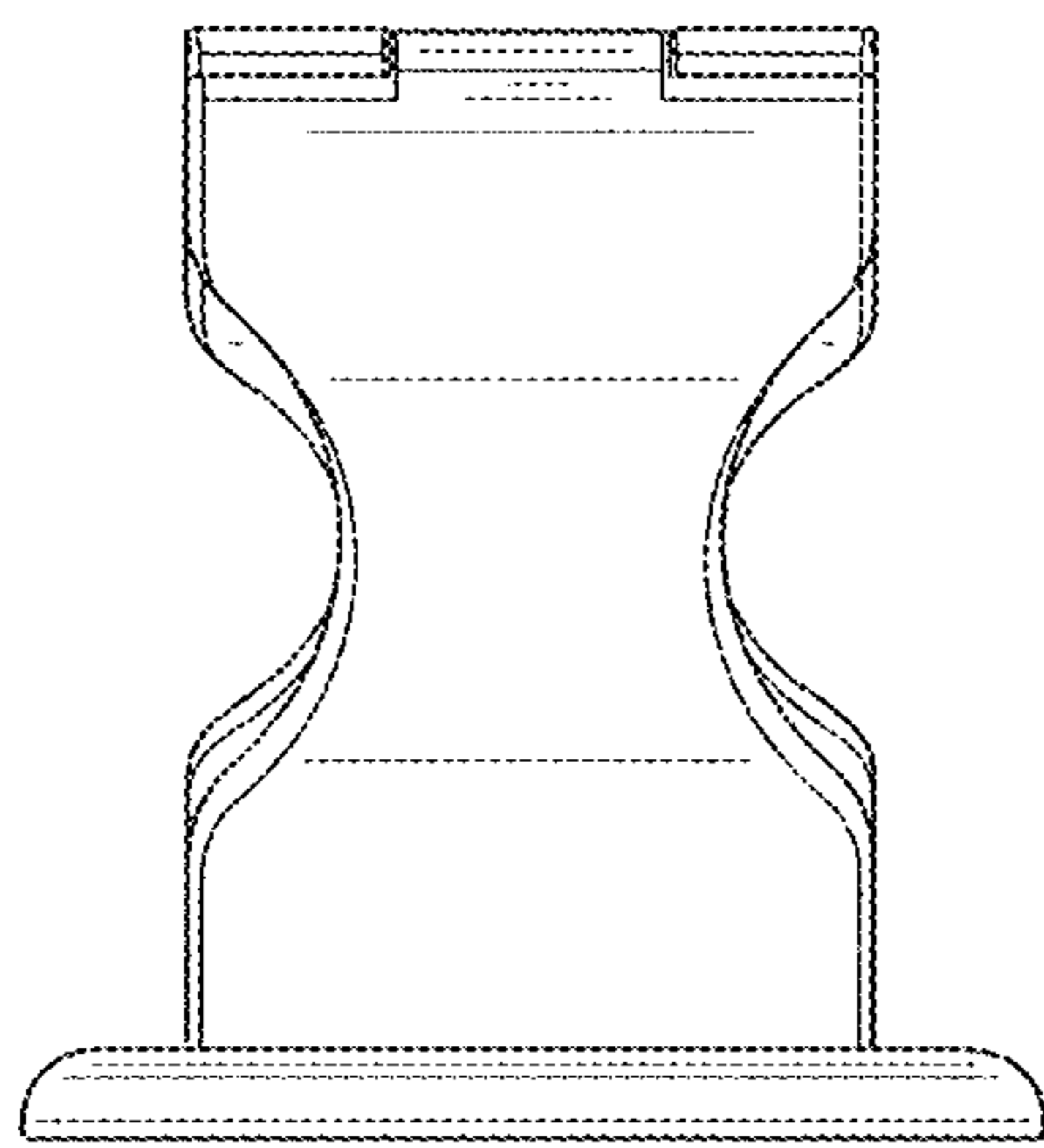


FIG. 7

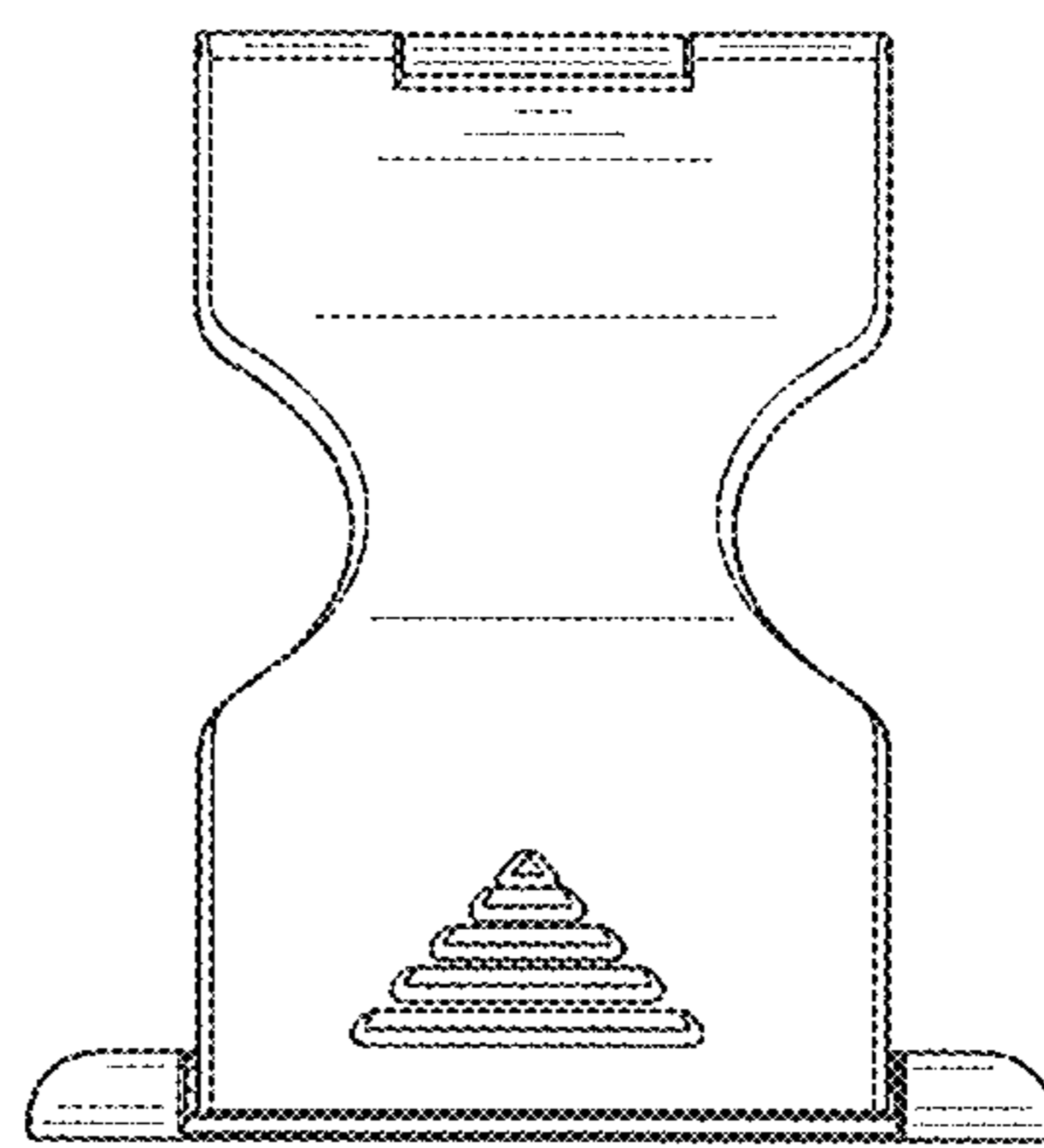


FIG. 8

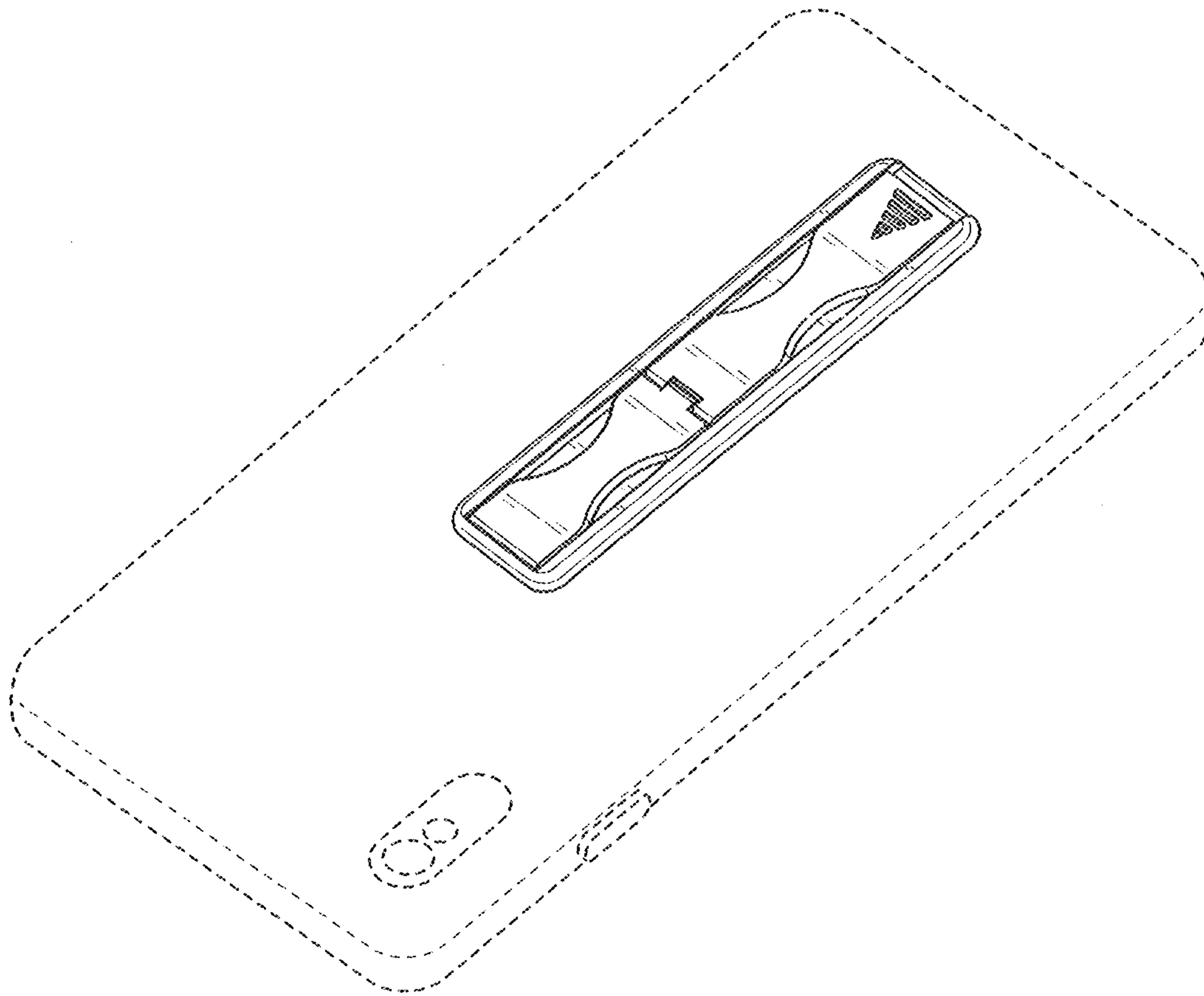


FIG. 9

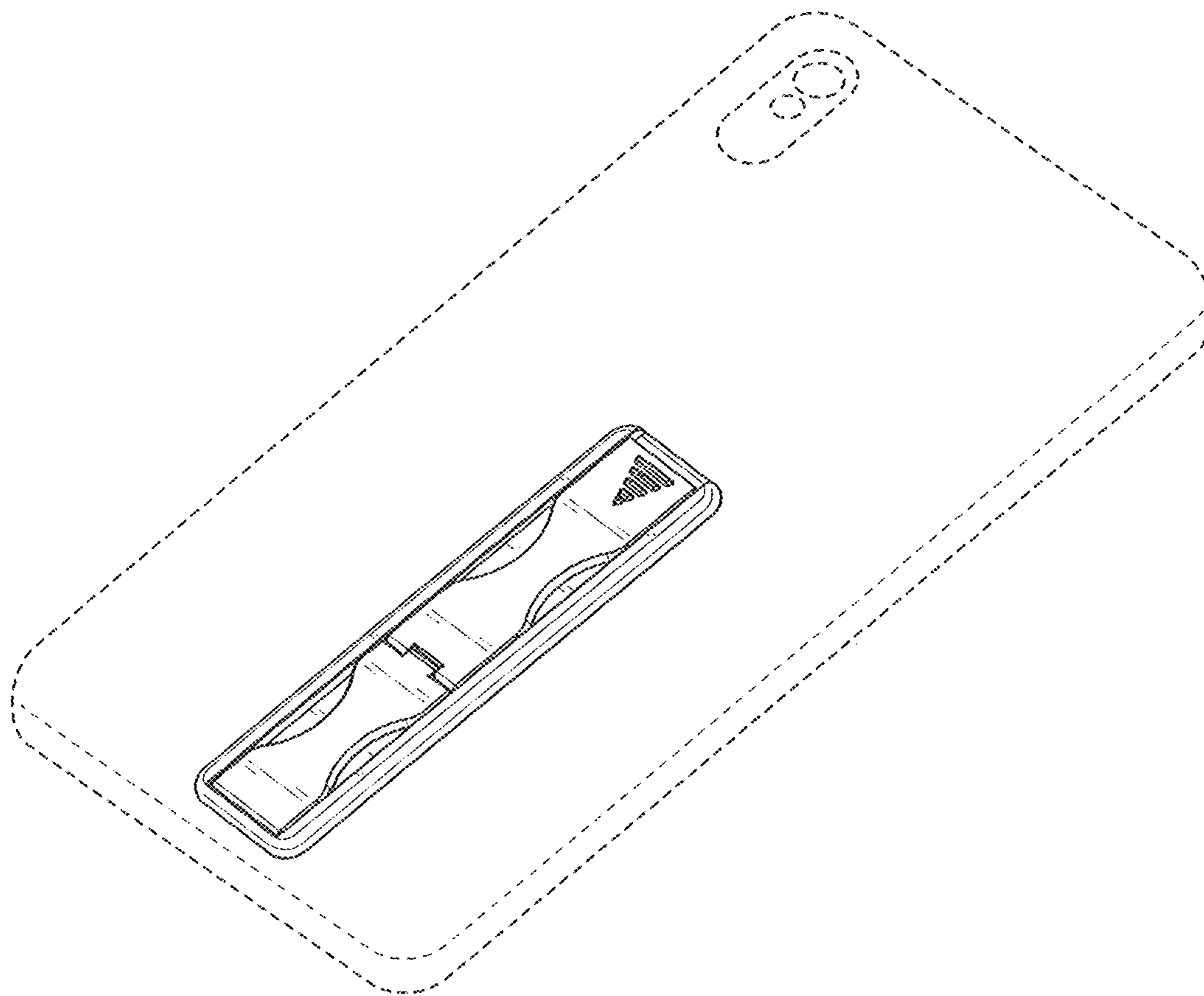


FIG. 10

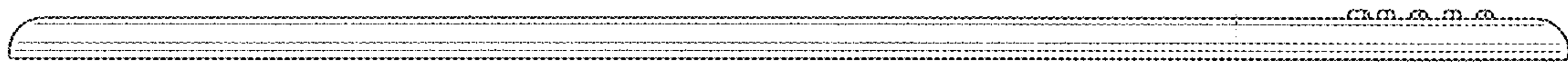


FIG. 11

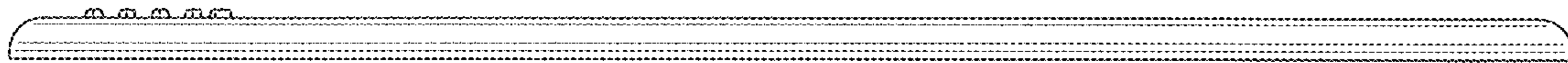


FIG. 12

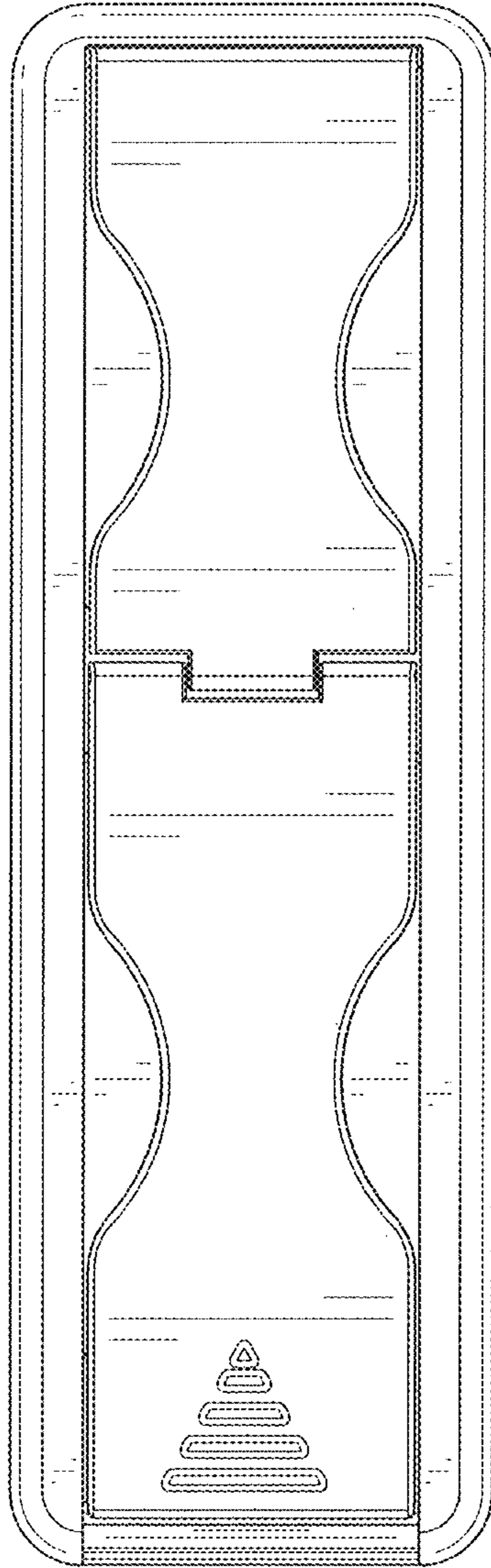


FIG. 13

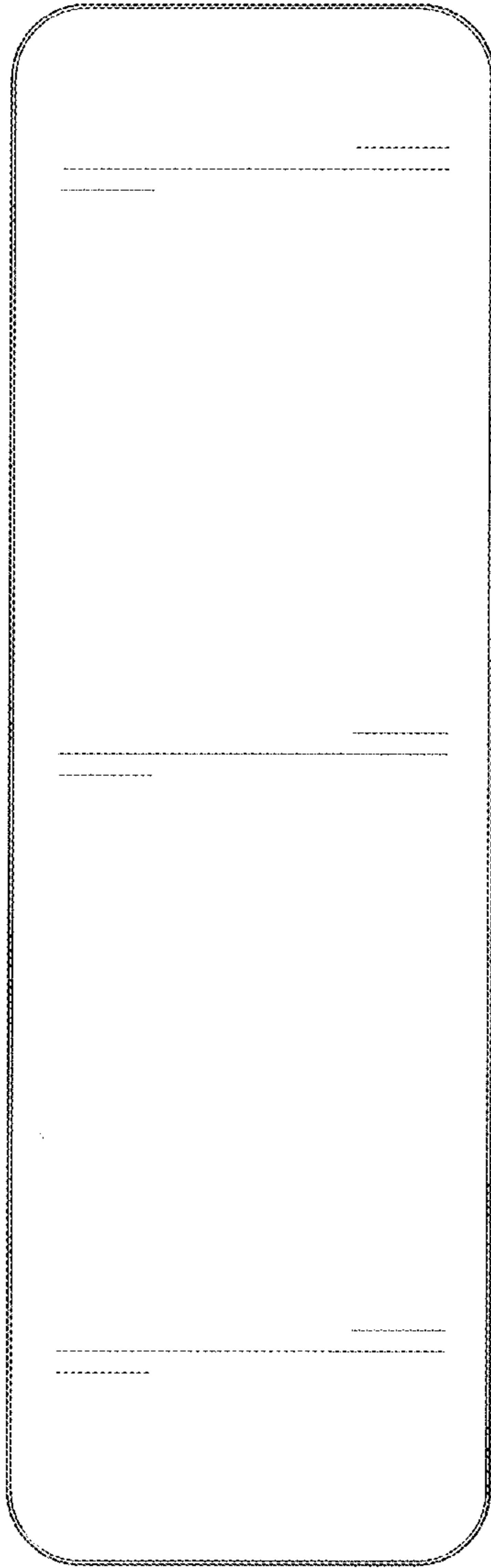


FIG. 14

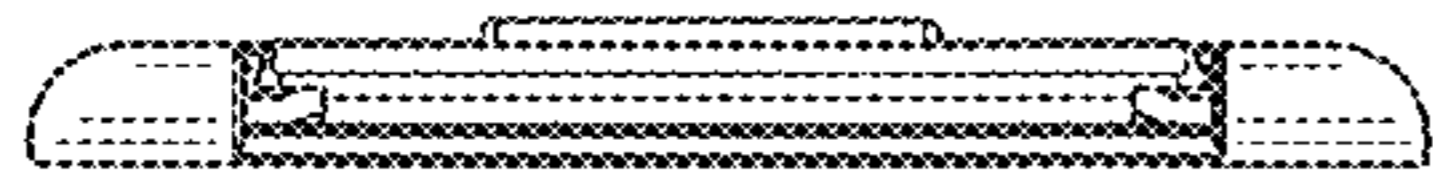


FIG. 15

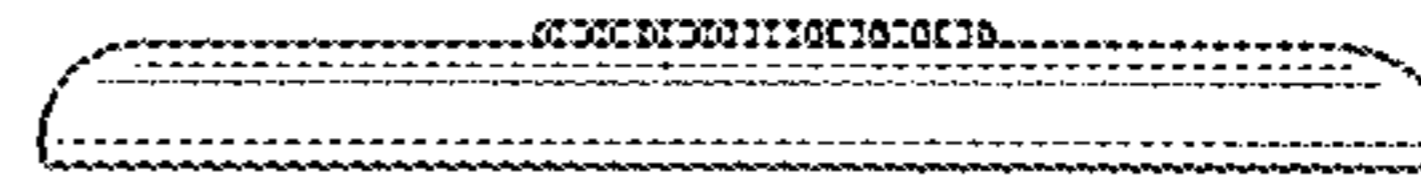


FIG. 16