



US00D916071S

(12) **United States Design Patent**  
**Lin**

(10) **Patent No.:** **US D916,071 S**  
(45) **Date of Patent:** **\*\* Apr. 13, 2021**

(54) **MOBILE PHONE CASE**

(71) Applicant: **SHENZHEN TAIHENGDA TECHNOLOGY CO., LTD.**, Shenzhen (CN)

(72) Inventor: **Jingqing Lin**, Maoming (CN)

(73) Assignee: **SHENZHEN TAIHENGDA TECHNOLOGY CO., LTD.**, Shenzhen (CN)

(\*\*) Term: **15 Years**

(21) Appl. No.: **29/709,426**

(22) Filed: **Oct. 15, 2019**

(51) **LOC (13) Cl.** ..... **14-03**

(52) **U.S. Cl.**  
USPC ..... **D14/250**

(58) **Field of Classification Search**  
USPC .... D14/217, 238.1, 240, 248, 250, 251–253, D14/439, 440, 447; D13/107–108, 103, D13/119; D3/201, 218, 247, 269, 273, D3/301, 303  
CPC ..... H04B 1/3888; H04M 1/0283; H04M 1/0202; A45C 1/06; A45C 11/00; A45C 13/02; A45C 2011/002; A45F 2005/026; A45F 2200/0525; A45F 2200/0516

See application file for complete search history.

(56) **References Cited**

**U.S. PATENT DOCUMENTS**

D763,840 S *	8/2016	Hwang	.....	D14/250
D767,554 S *	9/2016	Bertrand	.....	D14/250
D781,831 S *	3/2017	Huang	.....	D14/250
D784,311 S *	4/2017	Yoon	.....	D14/248
D785,613 S *	5/2017	Lin	.....	D14/250
D786,853 S *	5/2017	Friedland	.....	D14/250
D812,600 S *	3/2018	Altaras	.....	D14/250
D816,651 S *	5/2018	Chiang	.....	D14/250

D836,095 S *	12/2018	Kim	.....	D14/250
D851,638 S *	6/2019	Kim	.....	D14/250
D865,739 S *	11/2019	Altschul	.....	D14/250
D865,740 S *	11/2019	Altschul	.....	D14/250
D881,866 S *	4/2020	Kim	.....	D14/250
D882,559 S *	4/2020	Truong	.....	D14/250
D889,451 S *	7/2020	Chiang	.....	D14/250
D891,408 S *	7/2020	Kwak	.....	D14/240
D891,409 S *	7/2020	Jeon	.....	D14/240

(Continued)

**OTHER PUBLICATIONS**

“TENDLIN Compatible with iPhone XR Case Wood Grain Outside Design and Flexible TPU [. . . ]” [online], TENDLIN. [Date first available Apr. 11, 2019], Retrieved from the Internet: <<https://www.amazon.com/TENDLIN-Compatible-Outside-Flexible-Silicone/dp/B07QKKS5YW/>>.\*

*Primary Examiner* — Khawaja Anwar  
*Assistant Examiner* — Mojtaba Tehrani

(57) **CLAIM**

The ornamental design for a mobile phone case, as shown and described.

**DESCRIPTION**

FIG. 1 is a perspective view of a mobile phone case showing my new design;  
FIG. 2 is another perspective view thereof;  
FIG. 3 is a front elevational view thereof;  
FIG. 4 is a rear elevational view thereof;  
FIG. 5 is a left side elevational view thereof;  
FIG. 6 is a right side elevational view thereof;  
FIG. 7 is a top plan view thereof;  
FIG. 8 is a bottom plan view thereof;  
FIG. 9 is an enlarged view of portion 9 shown in FIG. 1; and, FIG. 10 is an enlarged view of portion 10 shown in FIG. 2. The broken line in the drawings depicts unclaimed boundary of the enlarged views only and forms no part of the claimed design.

**1 Claim, 10 Drawing Sheets**



(56)

**References Cited**

U.S. PATENT DOCUMENTS

D895,598 S \* 9/2020 Kim ..... D14/250  
D899,414 S \* 10/2020 Koo ..... D14/250  
2009/0107661 A1\* 4/2009 Andersson ..... F28D 9/005  
165/168  
2020/0015558 A1\* 1/2020 Kane ..... A45C 11/00

\* cited by examiner

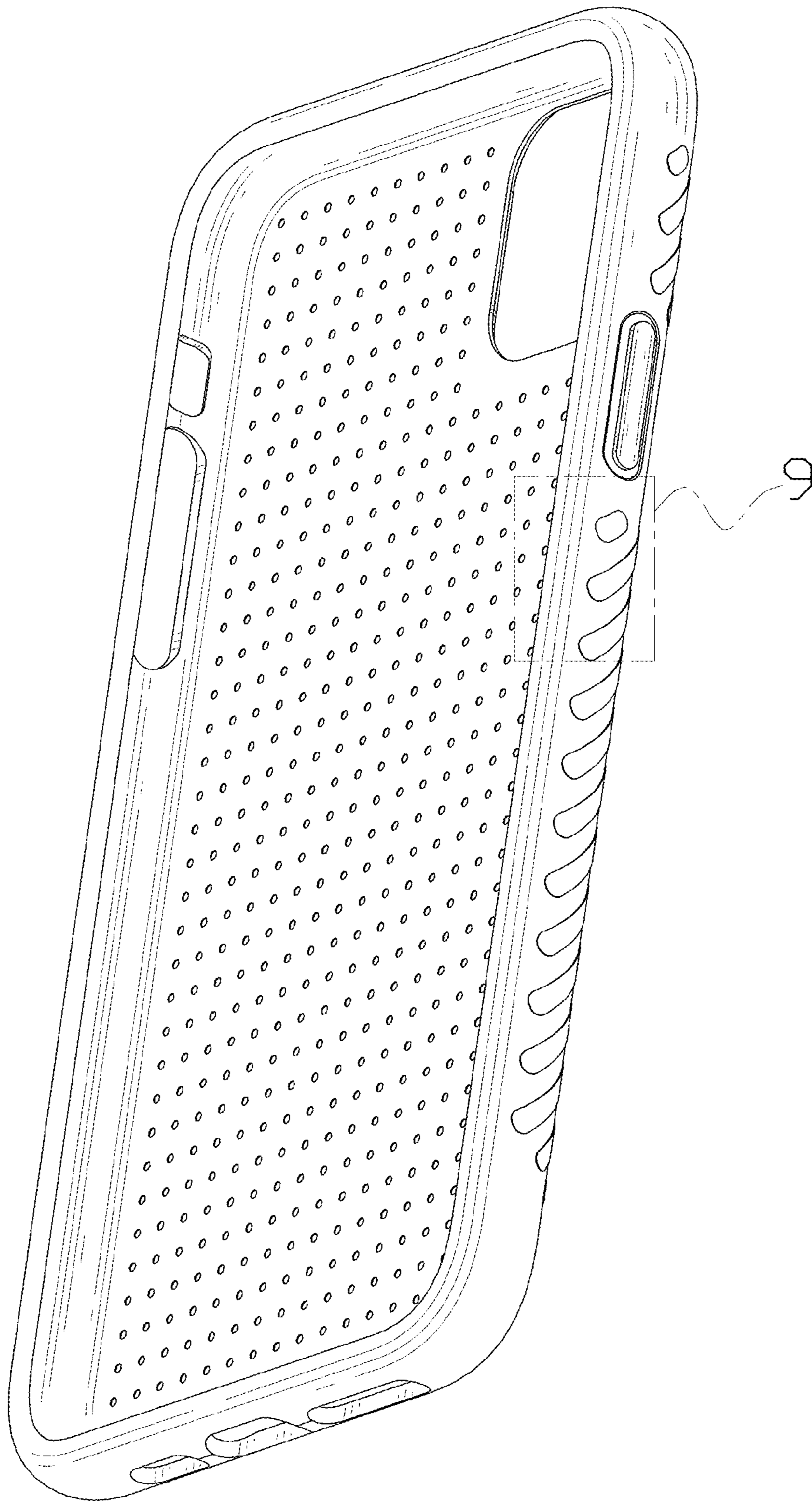


FIG. 1



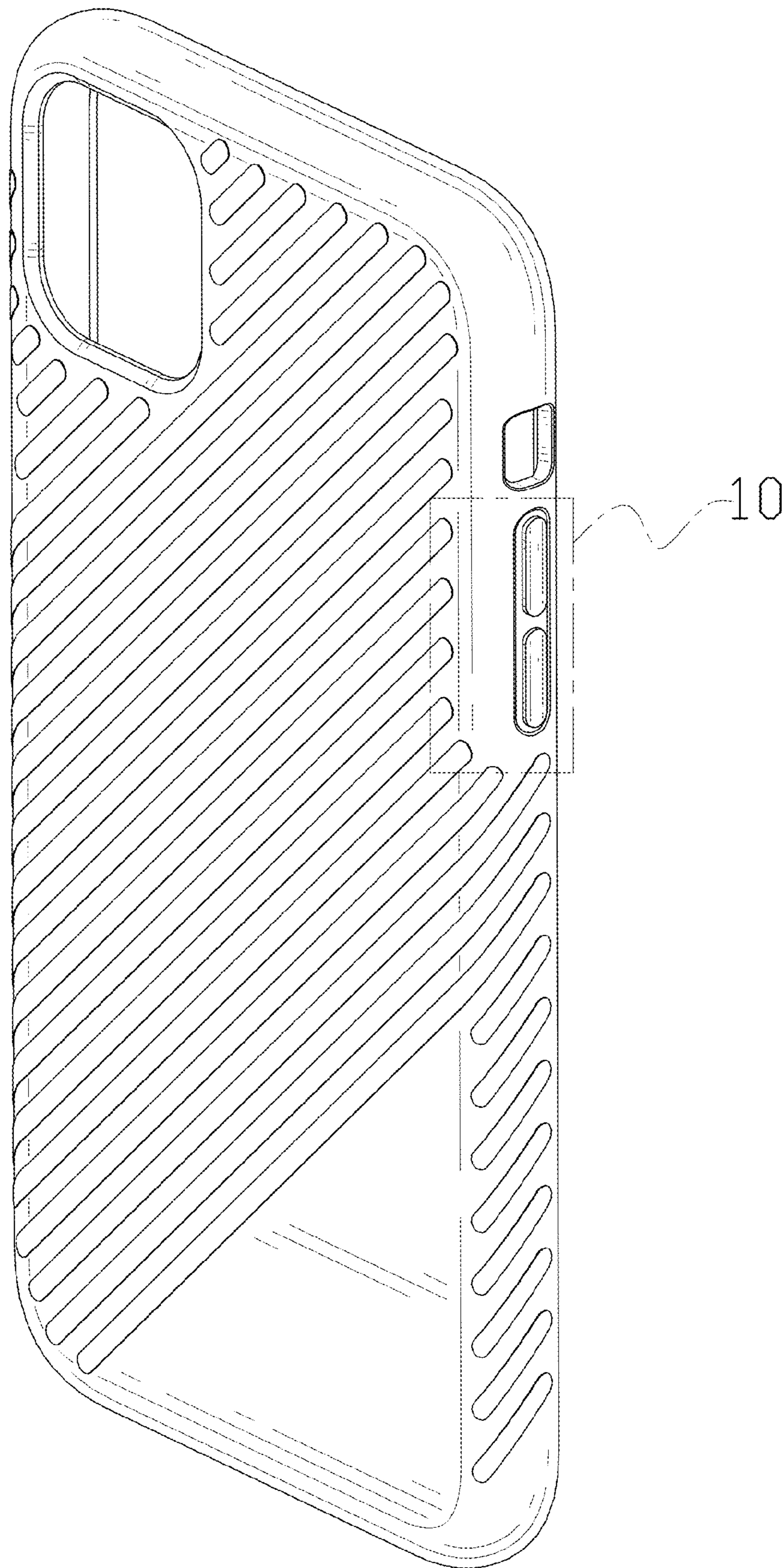


FIG. 2

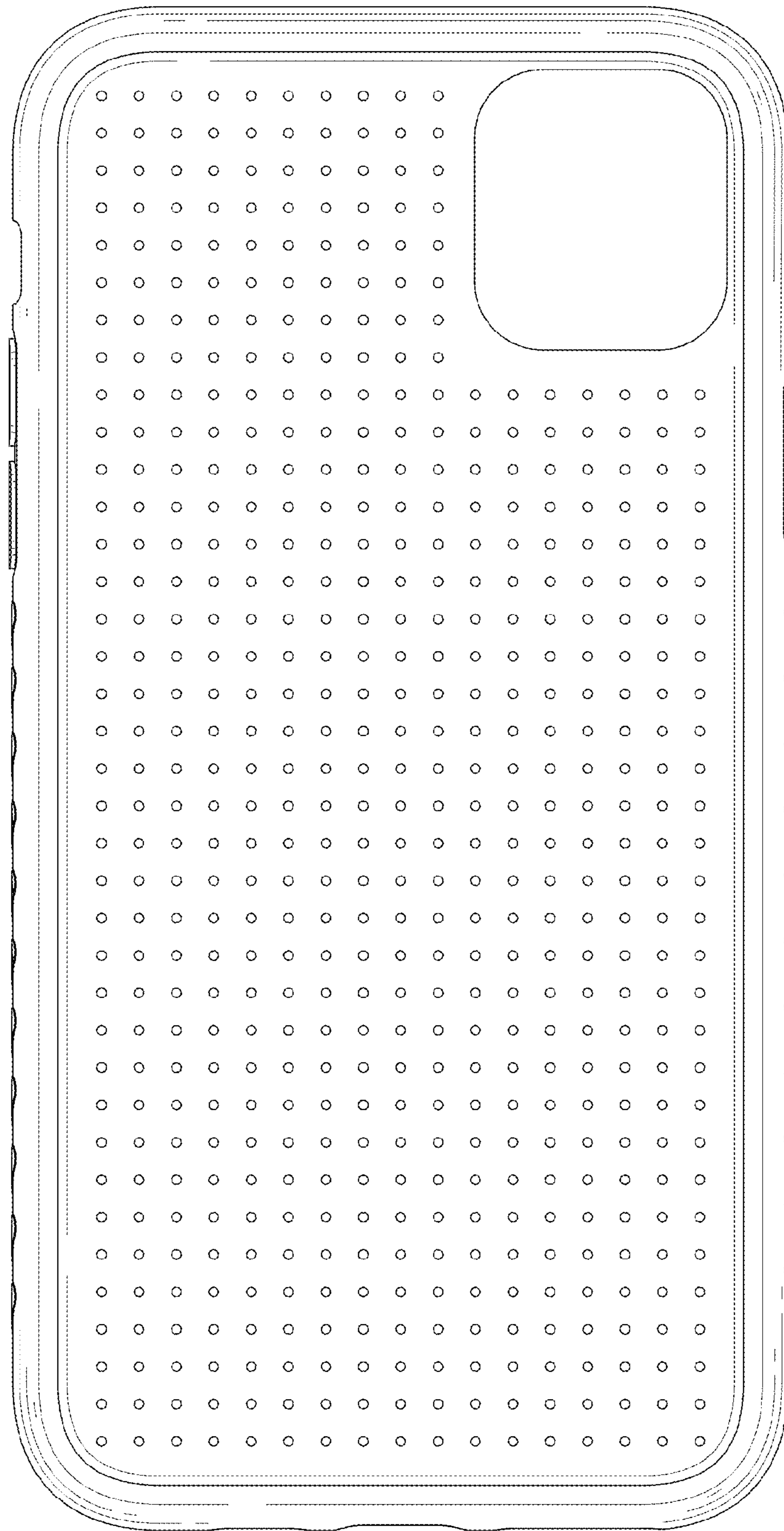


FIG. 3

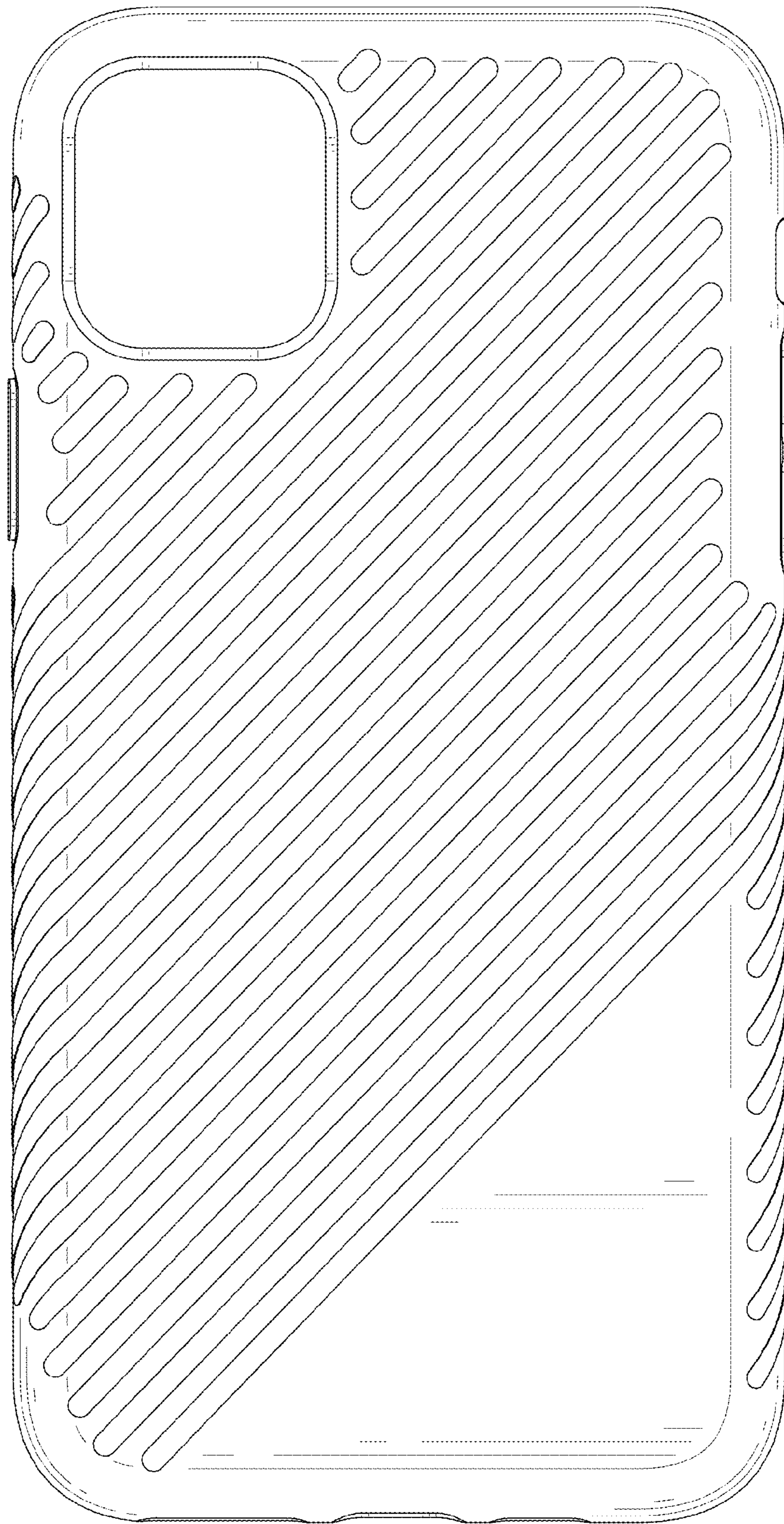


FIG. 4



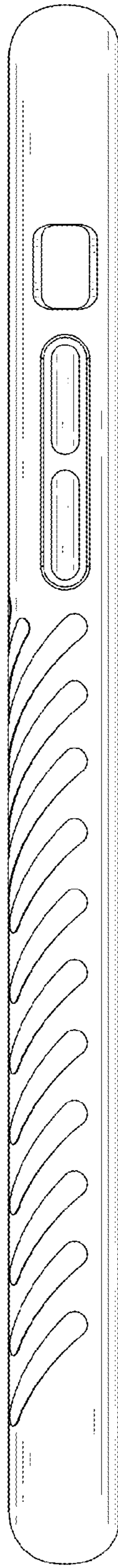


FIG. 5

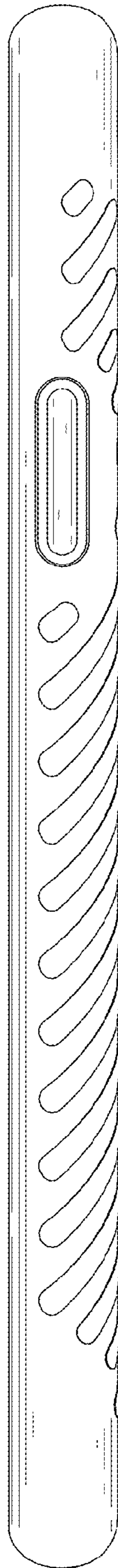


FIG. 6



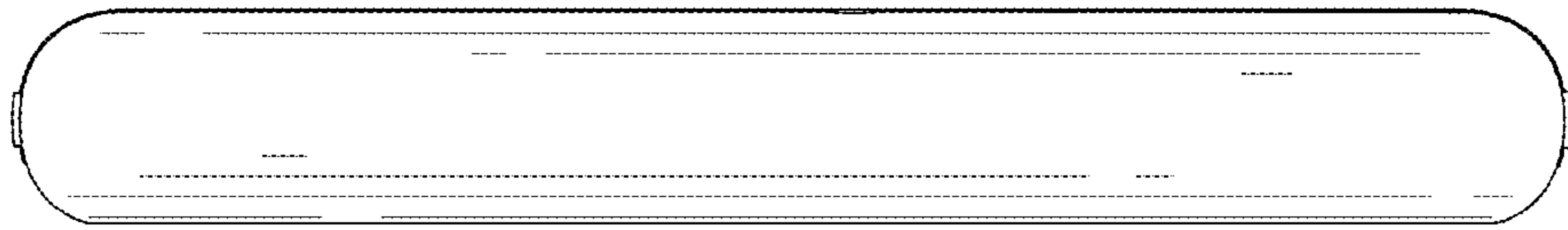


FIG. 7

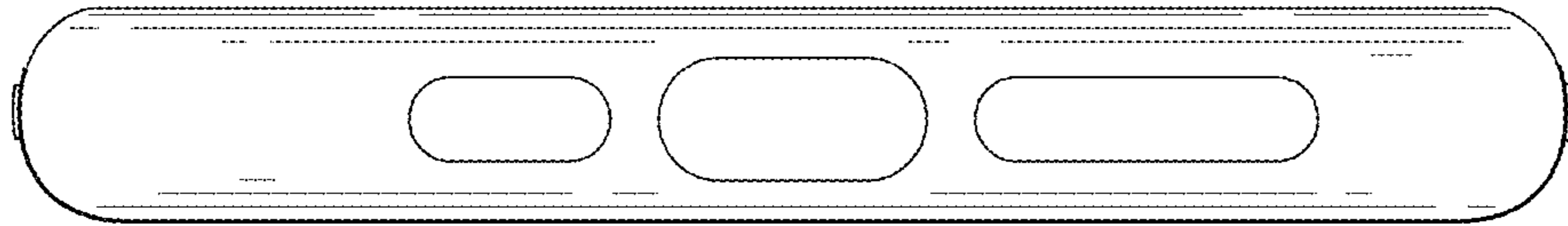


FIG. 8

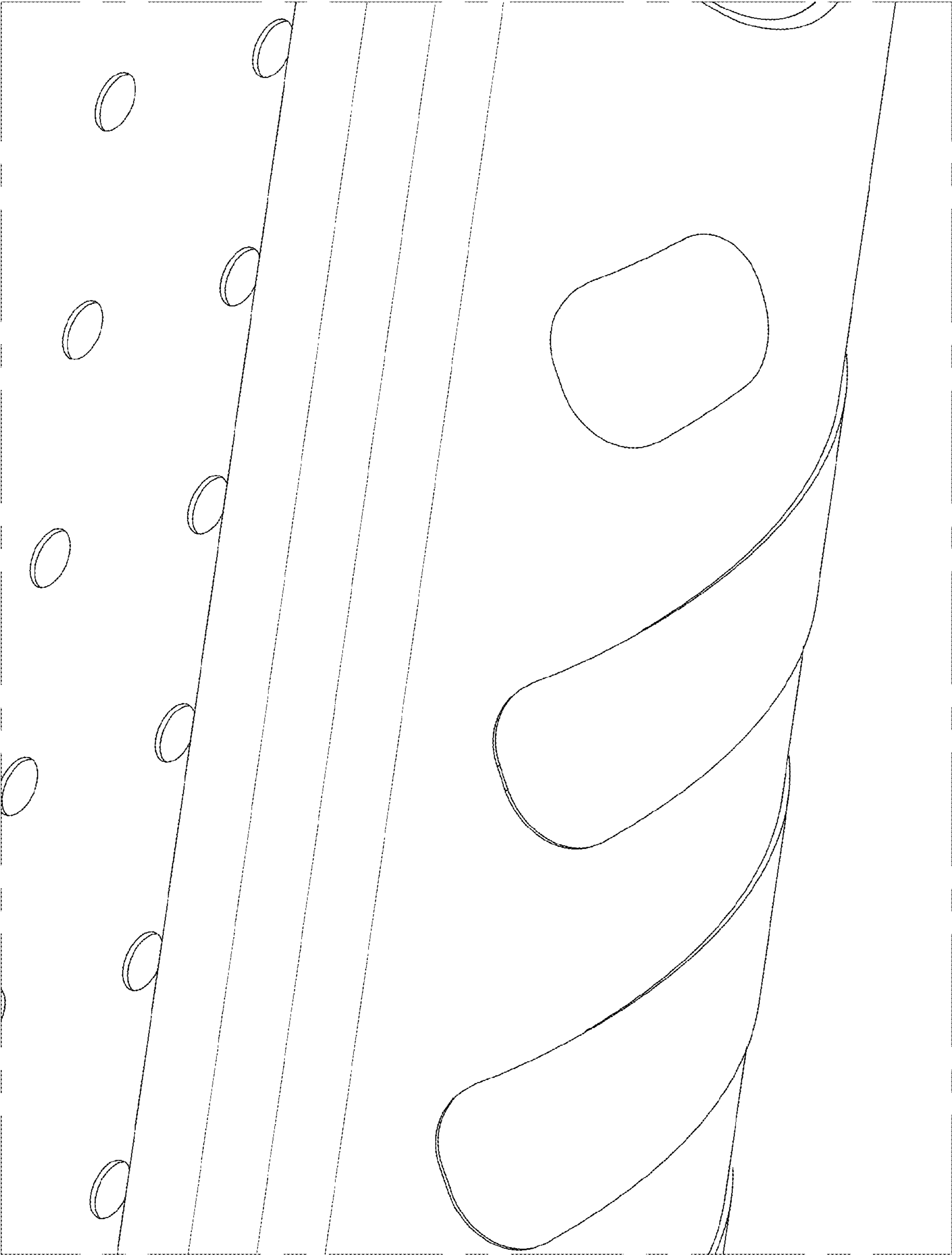


FIG. 9

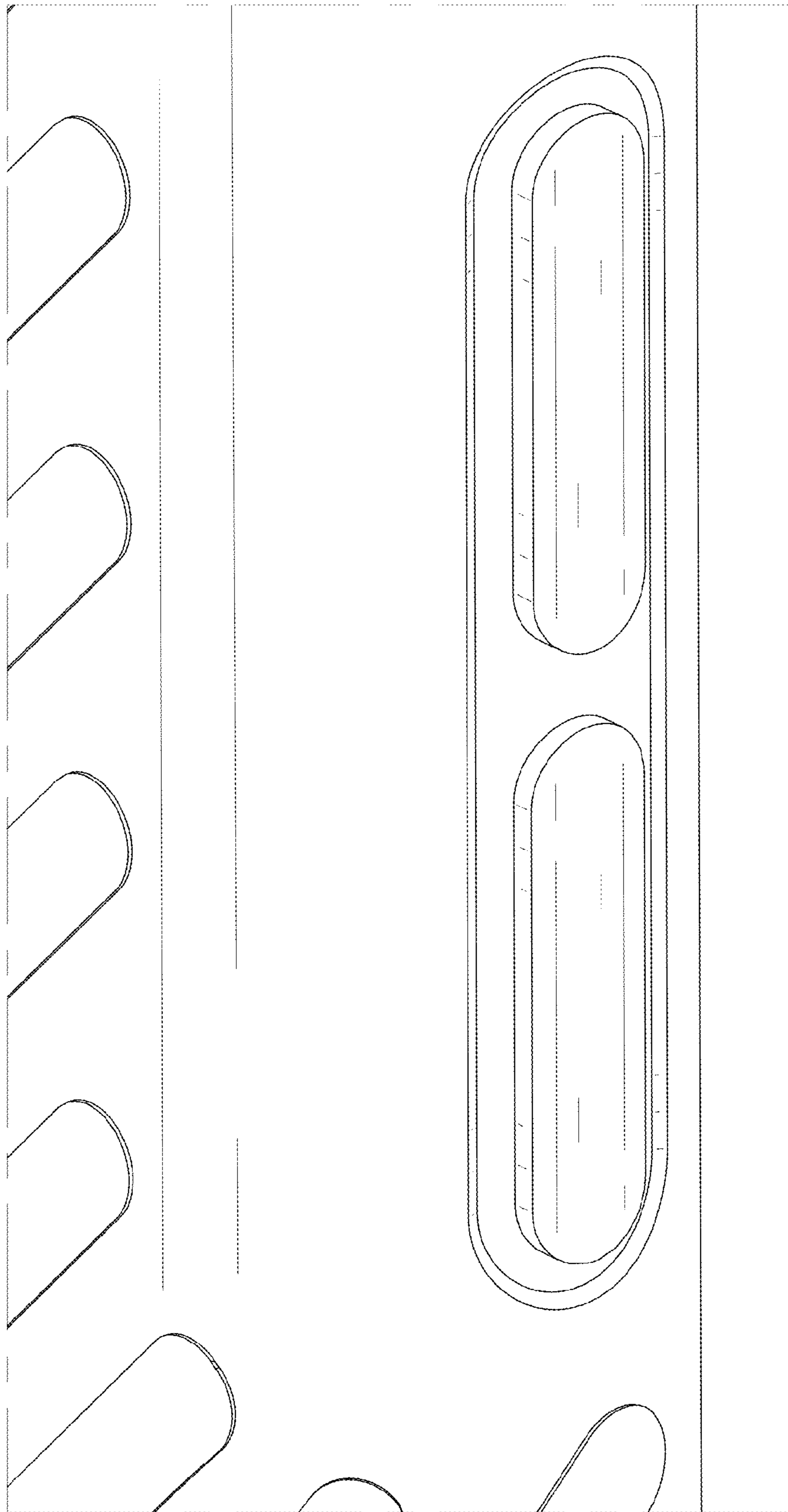


FIG. 10