



US00D916070S

(12) **United States Design Patent**
Lin

(10) **Patent No.:** **US D916,070 S**

(45) **Date of Patent:** **** Apr. 13, 2021**

(54) **MOBILE PHONE CASE**

(71) Applicant: **SHENZHEN TAIHENGDA TECHNOLOGY CO., LTD.**, Shenzhen (CN)

(72) Inventor: **Jingqing Lin**, Maoming (CN)

(73) Assignee: **SHENZHEN TAIHENGDA TECHNOLOGY CO., LTD.**, Shenzhen (CN)

(**) Term: **15 Years**

(21) Appl. No.: **29/709,424**

(22) Filed: **Oct. 15, 2019**

(51) **LOC (13) Cl.** **14-03**

(52) **U.S. Cl.**
USPC **D14/250**

(58) **Field of Classification Search**
USPC D14/217, 238.1, 240, 248, 250, 251–253, D14/439, 440, 447; D13/107–108, 103, D13/119; D3/201, 218, 247, 269, 273, D3/301, 303
CPC H04B 1/3888; H04M 1/0283; H04M 1/0202; A45C 1/06; A45C 11/00; A45C 13/02; A45C 2011/002; A45F 2005/026; A45F 2200/0525; A45F 2200/0516
See application file for complete search history.

(56) **References Cited**

U.S. PATENT DOCUMENTS

D698,768 S *	2/2014	Son	D14/248
9,293,808 B1 *	3/2016	Roberts	H04M 1/0202
D781,831 S *	3/2017	Huang	D14/250
D784,311 S *	4/2017	Yoon	D14/248
D785,613 S *	5/2017	Lin	D14/250
D786,853 S *	5/2017	Friedland	D14/250
D812,600 S *	3/2018	Altaras	D14/250
D829,699 S *	10/2018	Jung	D14/250

D832,833 S *	11/2018	Kim	D14/250
D836,095 S *	12/2018	Kim	D14/250
D840,993 S *	2/2019	Kim	D14/250
D848,997 S *	5/2019	Kim	D14/250
D851,639 S *	6/2019	Kim	D14/250
D852,180 S *	6/2019	Kim	D14/250
D853,371 S *	7/2019	Wei	D14/250
D854,003 S *	7/2019	Kim	D14/250

(Continued)

OTHER PUBLICATIONS

“TENDLIN Compatible with iPhone XR Case Wood Grain with Carbon Fiber Texture Design Leather Hybrid Slim Case [. . .]” [online], TENDLIN. [Date first available Jun. 17, 2019], Retrieved from the Internet: <<https://www.amazon.com/TENDLIN-Compatible-iPhone-Texture-Leather/dp/B07T45SBR7/>>.*

Primary Examiner — Khawaja Anwar
Assistant Examiner — Mojtaba Tehrani

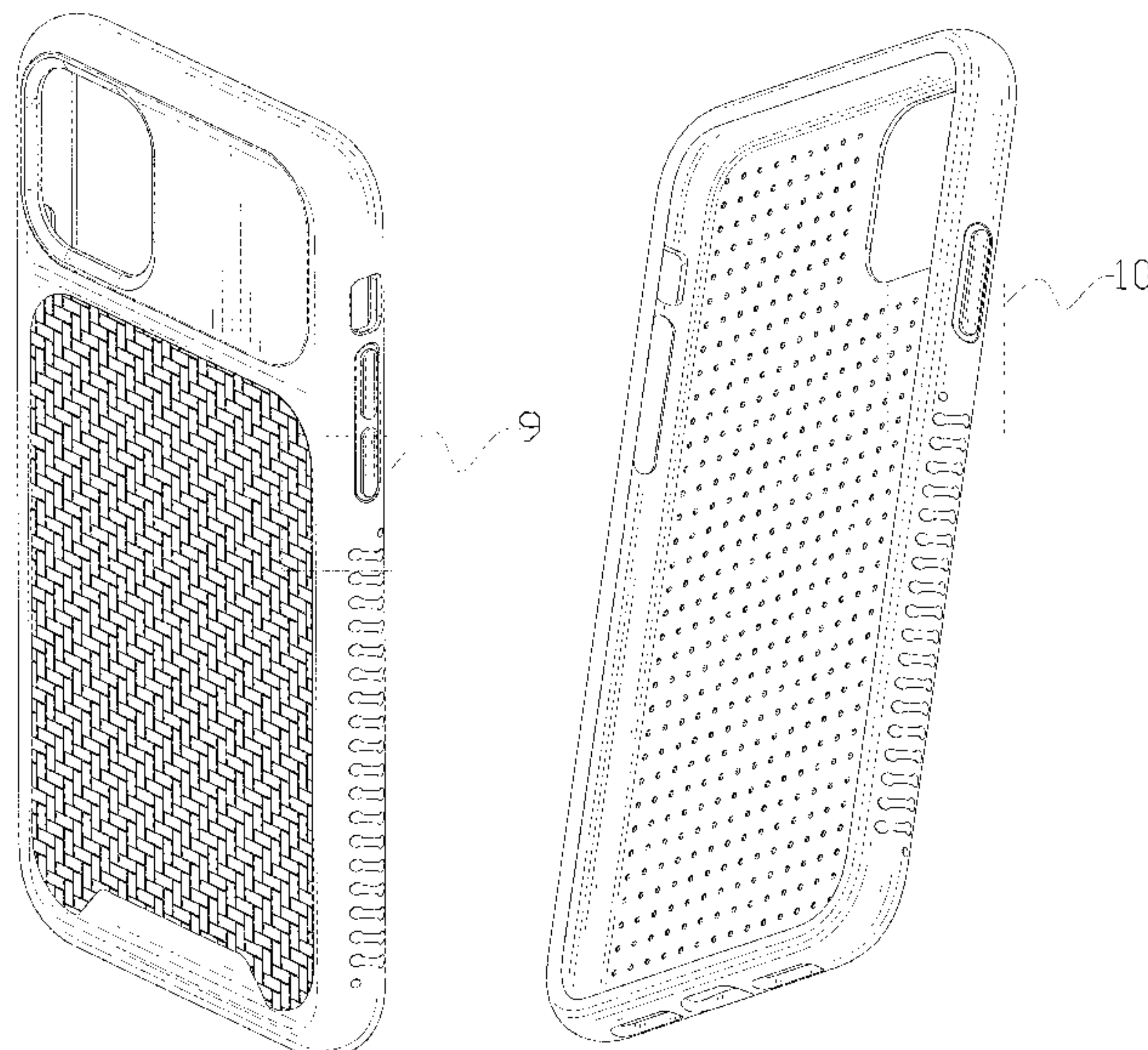
(57) **CLAIM**

The ornamental design for a mobile phone case, as shown and described.

DESCRIPTION

FIG. 1 is a perspective view of a mobile phone case showing my new design;
FIG. 2 is another perspective view thereof;
FIG. 3 is a front elevational view thereof;
FIG. 4 is a rear elevational view thereof;
FIG. 5 is a left side elevational view thereof;
FIG. 6 is a right side elevational view thereof;
FIG. 7 is a top plan view thereof;
FIG. 8 is a bottom plan view thereof;
FIG. 9 is an enlarged view of portion 9 shown in FIG. 1; and, FIG. 10 is an enlarged view of portion 10 shown in FIG. 2. The broken line in the drawings depicts unclaimed boundary of the enlarged views only and forms no part of the claimed design.

1 Claim, 10 Drawing Sheets



(56)

References Cited

U.S. PATENT DOCUMENTS

D854,534	S	*	7/2019	Kim	D14/250
D857,683	S	*	8/2019	Kim	D14/250
D863,279	S	*	10/2019	Kim	D14/250
D865,739	S	*	11/2019	Altschul	D14/250
D865,740	S	*	11/2019	Altschul	D14/250
D877,728	S	*	3/2020	Kim	D14/250
D877,731	S	*	3/2020	Kim	D14/250
D881,866	S	*	4/2020	Kim	D14/250
D893,467	S	*	8/2020	Kim	D14/250
D895,598	S	*	9/2020	Kim	D14/250
D898,012	S	*	10/2020	Kim	D14/250
D898,013	S	*	10/2020	Kim	D14/250

* cited by examiner

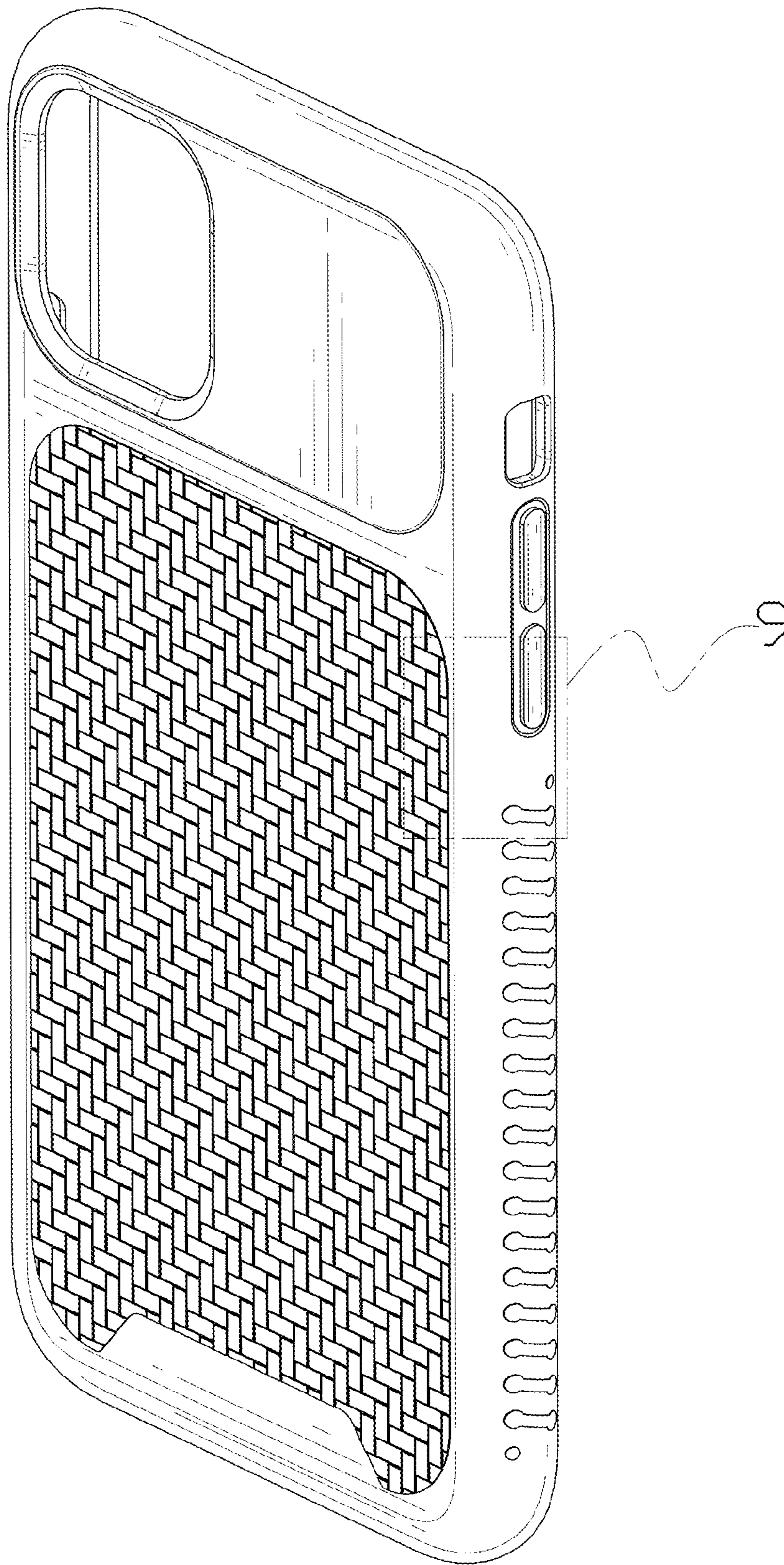


FIG. 1

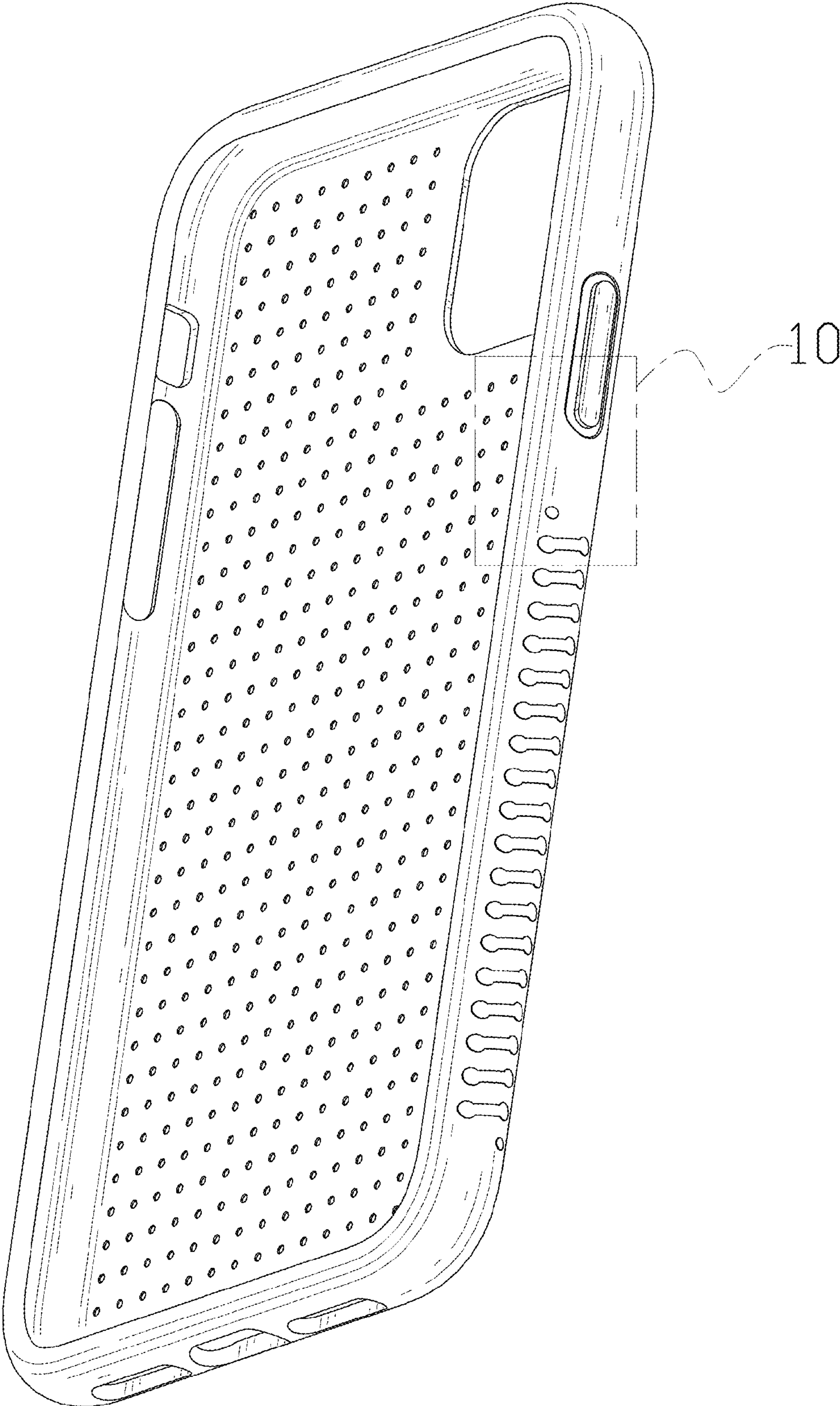


FIG. 2

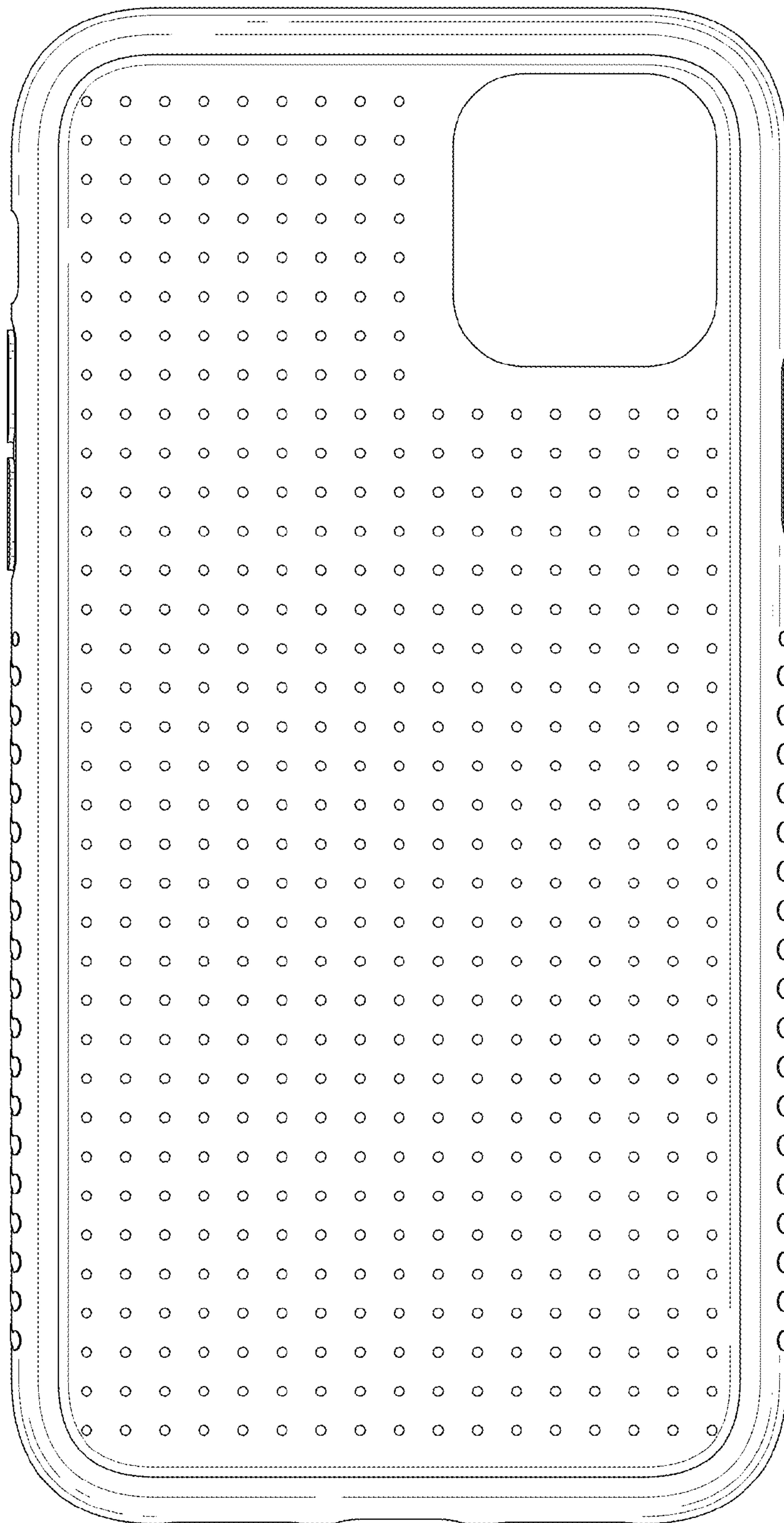


FIG. 3

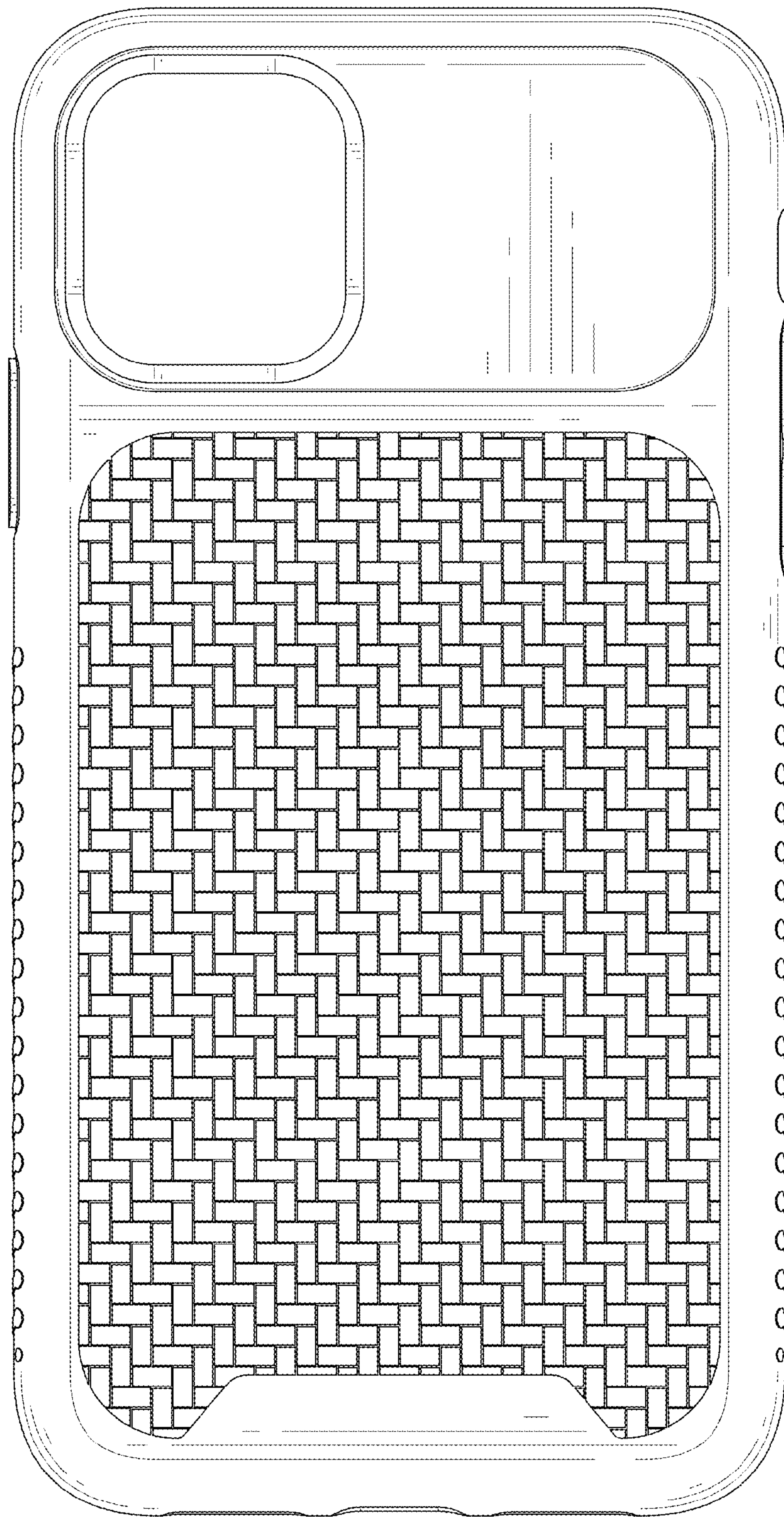


FIG. 4

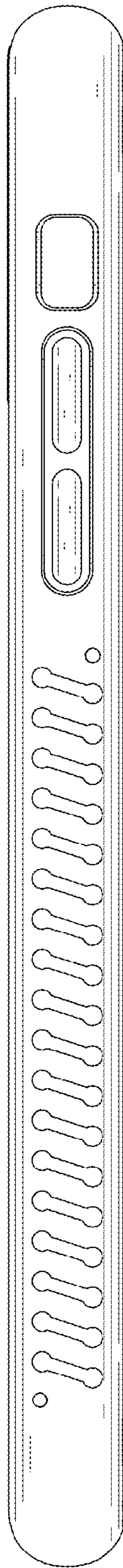


FIG. 5

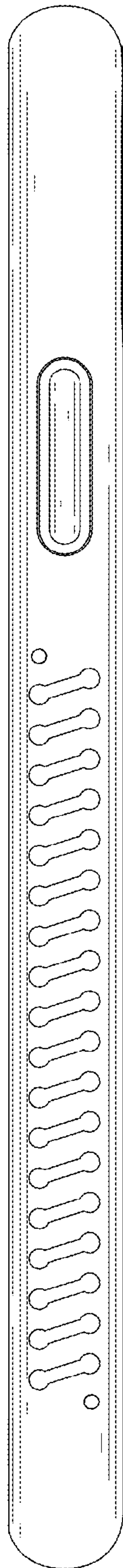


FIG. 6

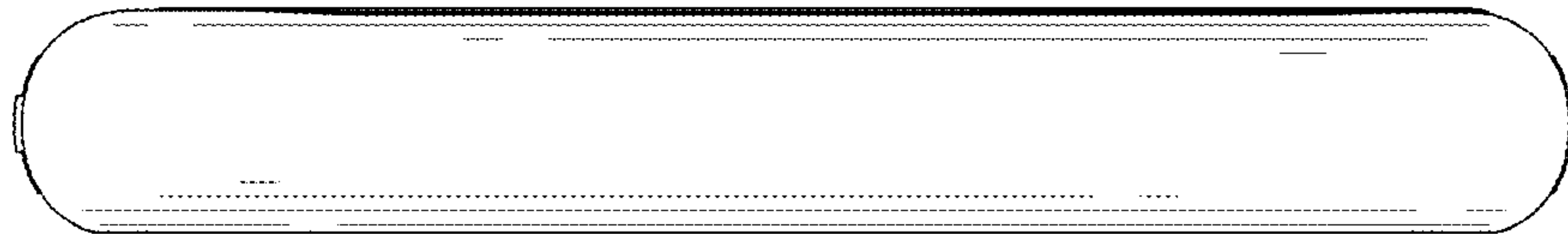


FIG. 7

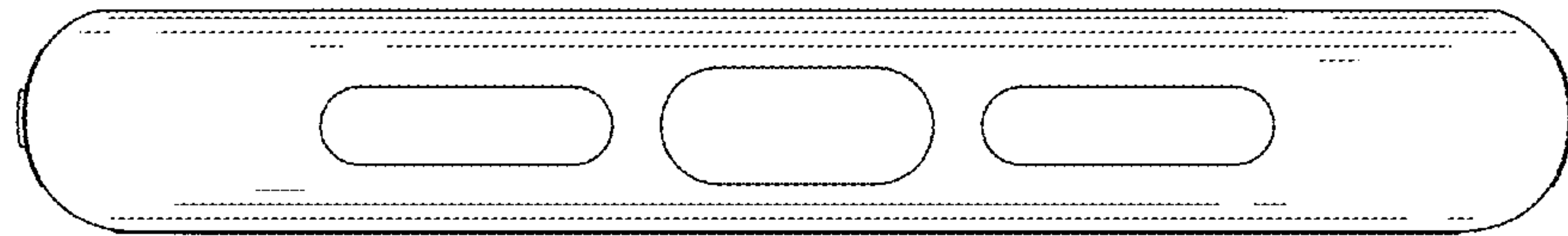


FIG. 8

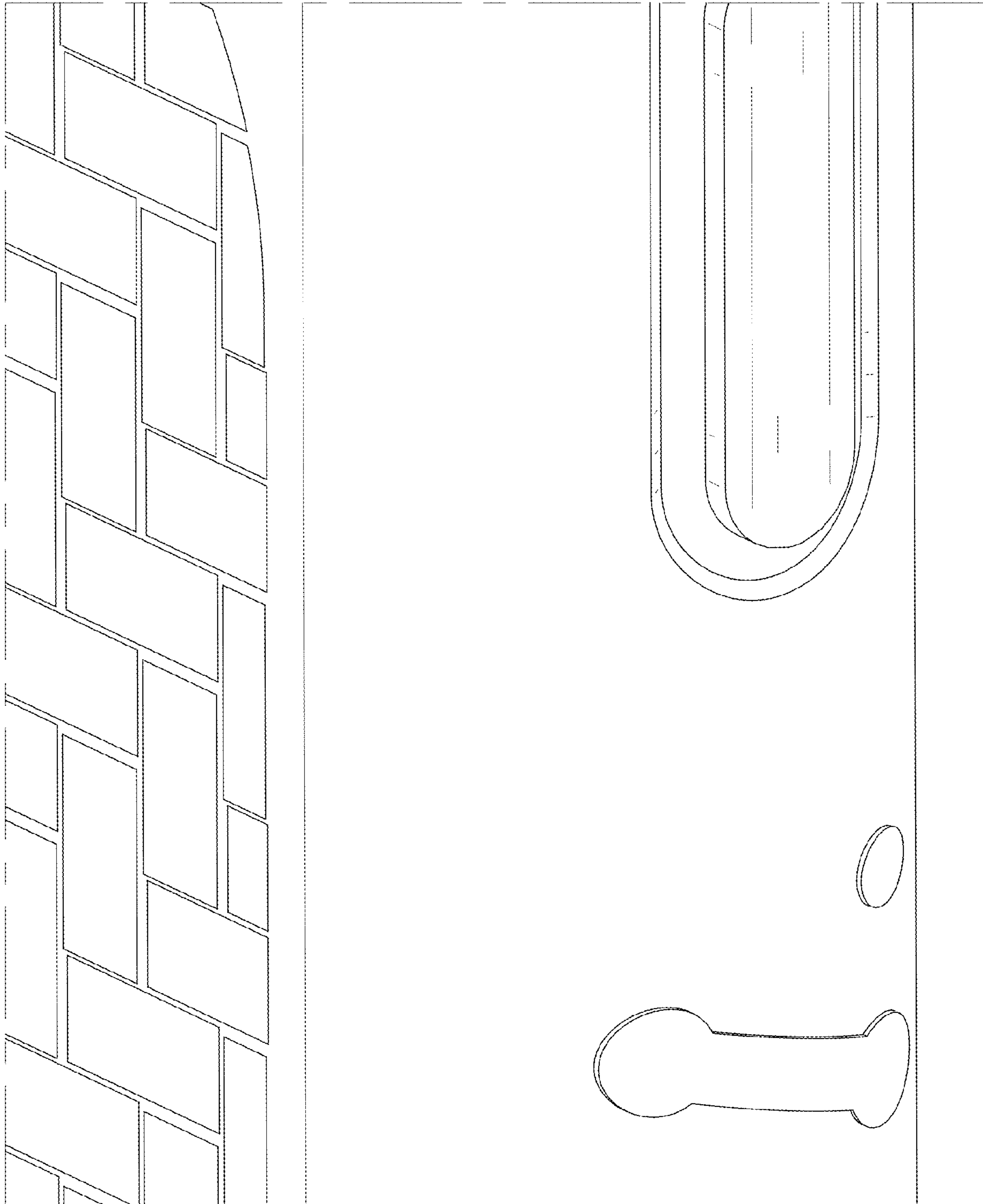


FIG. 9

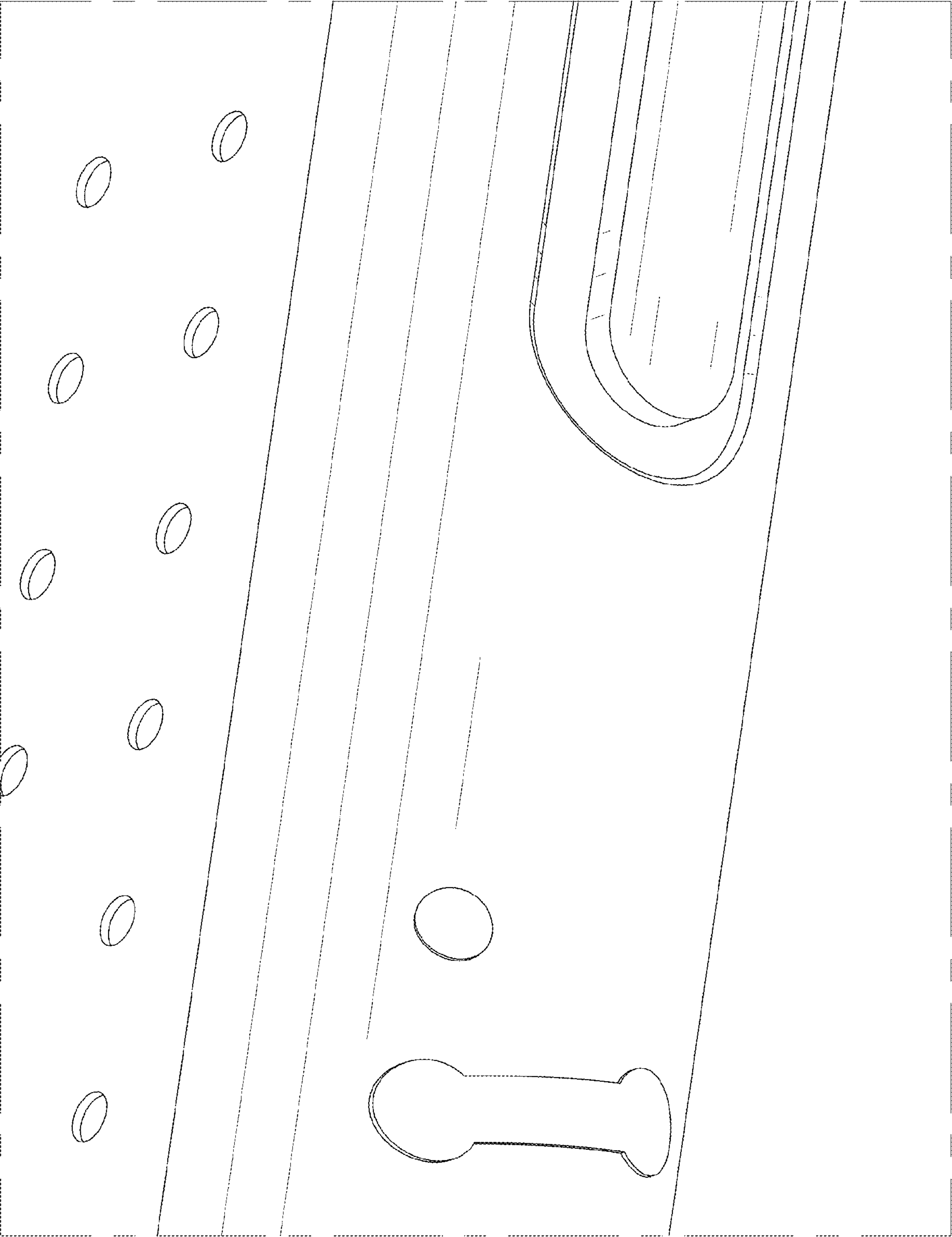


FIG. 10