



US00D916069S

(12) **United States Design Patent** (10) **Patent No.:** **US D916,069 S**
Kwon (45) **Date of Patent:** **** Apr. 13, 2021**

(54) **CASE FOR ELECTRONIC COMMUNICATIONS DEVICE**
(71) Applicant: **SPIGEN KOREA CO., LTD.**, Seoul (KR)
(72) Inventor: **Youngee Kwon**, Seoul (KR)
(73) Assignee: **SPIGEN KOREA CO., LTD.**, Seoul (KR)
(**) Term: **15 Years**
(21) Appl. No.: **29/699,664**
(22) Filed: **Jul. 26, 2019**
(51) **LOC (13) Cl.** **14-03**
(52) **U.S. Cl.**
USPC **D14/250**
(58) **Field of Classification Search**
USPC D3/201, 218, 226, 227, 247, 249, 250, D3/269, 303; D13/103, 107, 108, 119;
(Continued)

(56) **References Cited**
U.S. PATENT DOCUMENTS
D619,361 S 7/2010 Andre et al.
D624,533 S 9/2010 Richardson
(Continued)

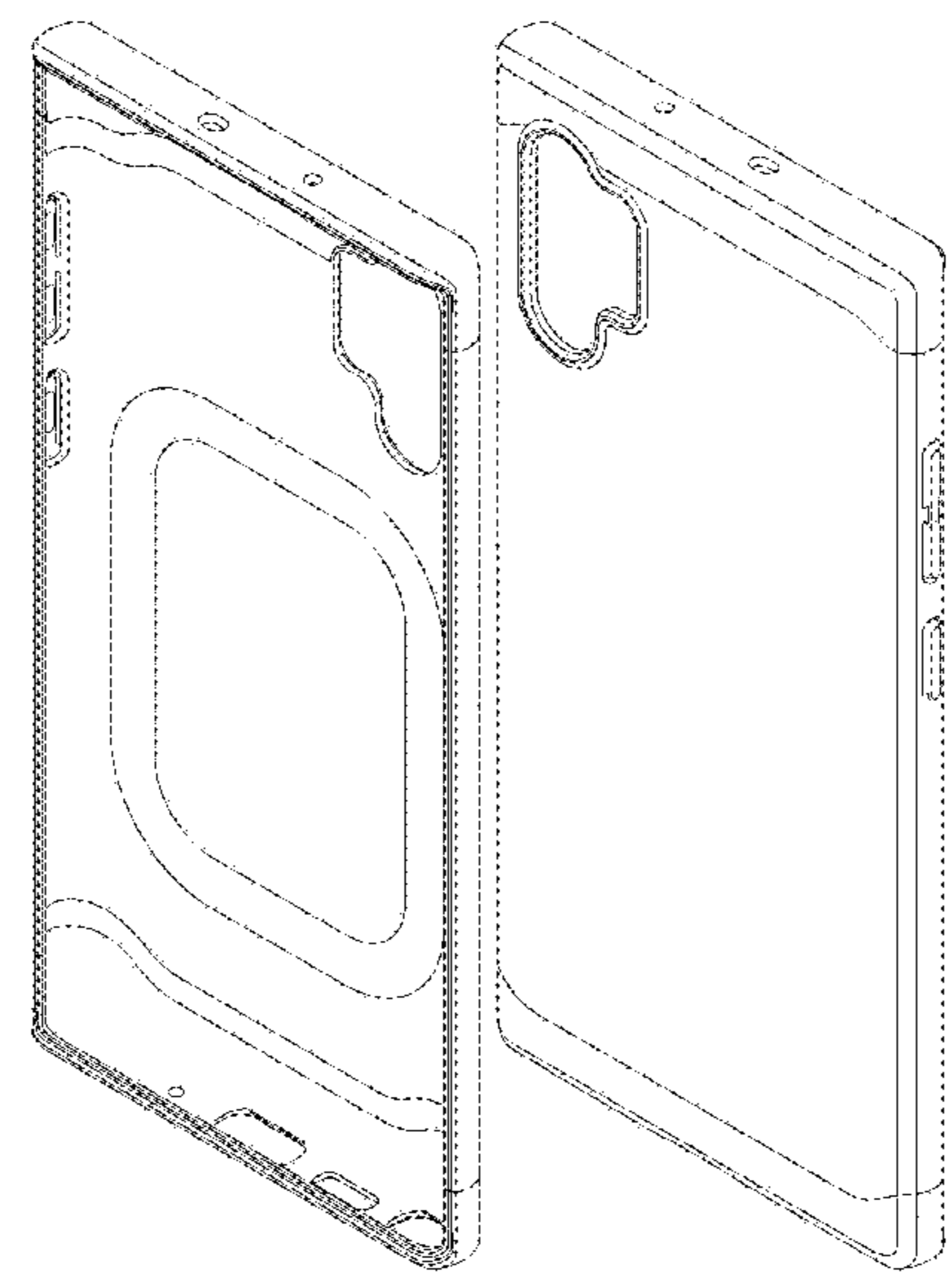
OTHER PUBLICATIONS
A look at Caseology's Samsung Galaxy Note 8 cases, publication date Aug. 23, 2017, [online][site visited Mar. 12, 2020] URL: <https://mobilesyrup.com/2017/08/23/caseologys-samsung-galaxy-note-8-cases/> (Year: 2017).*
(Continued)

Primary Examiner — Susan E Krakower
Assistant Examiner — L. A. Grabenstetter

(74) *Attorney, Agent, or Firm* — Heedong Chae; Lucem, PC
(57) **CLAIM**
The ornamental design for a case for electronic communications device, as shown and described.

DESCRIPTION
FIG. 1 is a front perspective view of the case for electronic communications device showing my new design; FIG. 2 is a rear perspective view thereof; FIG. 3 is a front elevational view thereof; FIG. 4 is a rear elevational view thereof; FIG. 5 is a left side elevational view thereof; FIG. 6 is a right side elevational view thereof; FIG. 7 is a top plan view thereof; FIG. 8 is a bottom plan view thereof; FIG. 9 is a front perspective view showing the upper frame component of the case in isolation; FIG. 10 is a rear perspective view showing the upper frame component of the case in isolation; FIG. 11 is a front perspective view showing the middle frame component of the case in isolation; FIG. 12 is a rear perspective view showing the middle frame component of the case in isolation; FIG. 13 is a front perspective view showing the bottom frame component of the case in isolation; FIG. 14 is a rear perspective view showing the bottom frame component of the case in isolation; FIG. 15 is an exploded front perspective view showing the components of the case separated; and, FIG. 16 is an exploded rear perspective view showing the components of the case separated.
Although the case for electronic communications device in which the claimed design is embodied has an upper frame component, a middle frame component, and a bottom frame component, the claim is directed to the ornamental appearance of the case in its entirety and does not extend to the ornamental appearance of each of the individual components in isolation.

1 Claim, 16 Drawing Sheets



- (58) **Field of Classification Search**
 USPC D14/137, 138 R, 138 AA, 138 C, 138 G,
 D14/172, 192, 203.3–203.7, 217, 238.1,
 D14/247, 248, 250–253, 434, 440, 447,
 D14/496
 CPC H04B 1/3888; H04M 1/0283; H04M
 1/0202; A45C 1/06; A45C 2011/002;
 A45C 11/00; A45F 2005/028; A45F
 2200/0525
 See application file for complete search history.

(56) **References Cited**

U.S. PATENT DOCUMENTS

D624,908 S	10/2010	Huskinson	
D626,120 S	10/2010	Richardson	
D626,121 S	10/2010	Richardson	
D637,589 S	5/2011	Willes et al.	
D646,265 S	10/2011	Fathollahi	
D647,084 S	10/2011	Fathollahi	
D650,371 S	12/2011	Wibby et al.	
D663,263 S	7/2012	Gupta et al.	
D670,689 S	11/2012	Wang	
D676,432 S	2/2013	Hasbrook	
D676,844 S	2/2013	Weller et al.	
D677,249 S	3/2013	Li	
D681,615 S	5/2013	Fathollahi	
D682,196 S	5/2013	Leung	
8,504,127 B2	8/2013	Altschul et al.	
8,517,172 B1	8/2013	Chang	
D692,419 S	10/2013	Rayner	
D694,225 S	11/2013	Kim	
D696,654 S	12/2013	Lee	
D697,905 S	1/2014	Chang	
D698,774 S	2/2014	Wardy	
8,726,952 B2	5/2014	Jambunathan et al.	
D707,965 S	7/2014	Requa	
D709,871 S	7/2014	Lee	
D716,045 S	10/2014	Requa	
D721,694 S	1/2015	Lee et al.	
8,971,975 B2	3/2015	Ramies et al.	
D727,883 S	4/2015	Brand	
D731,472 S	6/2015	Lee	
D731,481 S	6/2015	Akana et al.	
D733,149 S	6/2015	Dahlberg	
9,049,283 B1	6/2015	Kim	
D733,693 S	7/2015	Wang et al.	
D740,794 S	10/2015	Choi et al.	
D741,845 S	10/2015	Kim	
D743,931 S	11/2015	Hubbard et al.	
D744,472 S	12/2015	Lerenthal	
D744,995 S	12/2015	Lerenthal	
D746,275 S	12/2015	Mohammad	
D746,801 S *	1/2016	Pan D14/250	
D746,805 S	1/2016	Kim	
9,241,551 B2	1/2016	Lawson et al.	
D749,068 S	2/2016	Zaborski et al.	
D749,557 S	2/2016	Feng	
D753,099 S	4/2016	Kim	
D756,911 S	5/2016	Gupta et al.	
D759,966 S	6/2016	Pignotti	
D761,239 S	7/2016	Kim	
D761,781 S *	7/2016	Dang D14/250	
D763,842 S	8/2016	Chang et al.	
D765,628 S	9/2016	Watt et al.	
D765,635 S	9/2016	Chang et al.	
D765,638 S	9/2016	Gaylord et al.	
D765,640 S	9/2016	Bulkley et al.	
D765,641 S	9/2016	Bulkley et al.	
D770,435 S	11/2016	Daniel	
D771,612 S *	11/2016	Roberts D14/250	
D776,647 S	1/2017	Kim	
D776,649 S *	1/2017	Kim D14/250	
D777,155 S	1/2017	Kim	
D777,156 S	1/2017	Kim	
D779,470 S	2/2017	Kim et al.	
D780,164 S	2/2017	Lee	

D781,835 S	3/2017	Kim et al.	
D782,456 S	3/2017	Park et al.	
D783,602 S	4/2017	Akana et al.	
D784,309 S	4/2017	Lee et al.	
D786,233 S	5/2017	Kim	
D786,846 S	5/2017	Kim et al.	
D786,849 S	5/2017	Park et al.	
D786,851 S	5/2017	Kim	
D786,852 S	5/2017	Kim	
D786,854 S	5/2017	Kim	
D787,492 S	5/2017	Kim	
D788,089 S	5/2017	Park et al.	
D788,093 S	5/2017	Lee et al.	
D788,757 S	6/2017	Kim	
D789,344 S *	6/2017	Kim D14/250	
D791,755 S	7/2017	Kim	
D792,394 S	7/2017	Lee et al.	
D794,624 S	8/2017	Fernandes	
D797,090 S	9/2017	Lee et al.	
D797,092 S	9/2017	To et al.	
D797,093 S	9/2017	To	
D797,094 S *	9/2017	Kim D14/250	
D798,284 S *	9/2017	Kim D14/250	
D798,286 S	9/2017	Roberts et al.	
D798,853 S	10/2017	Park et al.	
D800,713 S *	10/2017	Kim D14/250	
D800,714 S	10/2017	Lee et al.	
D801,322 S	10/2017	Song et al.	
D801,323 S	10/2017	Kim	
D805,505 S	12/2017	Wang et al.	
D807,868 S	1/2018	Wang	
D808,955 S	1/2018	Park et al.	
D810,726 S	2/2018	Chou et al.	
D812,047 S *	3/2018	Koo D14/250	
D813,856 S *	3/2018	Daubmeier D14/250	
D819,009 S *	5/2018	Koo D14/250	
D828,346 S *	9/2018	Kim D14/250	
D830,355 S	10/2018	Fathollahi	
D833,426 S *	11/2018	Yun D14/250	
D835,087 S *	12/2018	Wilder D14/250	
D836,623 S *	12/2018	Hyun D14/250	
D838,263 S *	1/2019	Yun D14/250	
D839,858 S *	2/2019	Kim D14/250	
D840,988 S *	2/2019	Kim D14/250	
D840,989 S *	2/2019	Kim D14/250	
D841,636 S *	2/2019	Turk B60R 11/02 D14/250	
D845,292 S *	4/2019	Fitzgerald D14/250	
D849,731 S *	5/2019	Koo D14/250	
D854,004 S *	7/2019	Jung D14/250	
2011/0049005 A1	3/2011	Wilson	
2011/0309728 A1	12/2011	Diebel	
2012/0088558 A1	4/2012	Song	
2012/0177967 A1	7/2012	Wang	
2015/0381226 A1	12/2015	Mogol	
2016/0064979 A1	3/2016	Huang	
2016/0374443 A1	12/2016	Kim	

OTHER PUBLICATIONS

Spigen Tough Armor Galaxy S9 Case Review, publication date Apr. 10, 2018, [online][site visited Feb. 27, 2020] URL: <https://fliptroniks.com/spigen-tough-armor-galaxy-59-case-review/> (Year: 2018).*

“Spigen Thin Fit Designed for Apple iPhone SE Case (2016)—Black”, <http://www.amazon.com/dp/B01BED061U>, Earliest review date of Jun. 20, 2013, Downloaded on Jan. 9, 2019.

“Spigen Thin Fit iPhone 6 Case with SF Coated Non Slip Matte Surface for Excellent Grip for iPhone 6S / iPhone 6 Smooth Black”, <http://www.amazon.com/dp/B00JH87ZSQ>, Earliest review date of Jul. 15, 2014, Downloaded on Nov. 26, 2018.

“Spigen Thin Fit Galaxy S6 Case with Premium Matte Finish Coating for Galaxy S6 2015—Mint”, <http://www.amazon.com/dp/B00QU4NO9O>, Earliest review date of Feb. 27, 2015, Downloaded on Jan. 9, 2019.

“Spigen Thin Fit Galaxy Note 5 Case with Premium Matte Finish Coating for Galaxy Note 5 2015—Mint”, <http://www.amazon.com/dp/B010MWDTFI>, Earliest review date of Aug. 21, 2015, Downloaded on Jan. 9, 2019.

(56)

References Cited

OTHER PUBLICATIONS

“iPhone 6s Case, Spigen [Thin Fit] Exact-Fit [Black] Premium Matte Finish Hard Case for iPhone 6s(2015) / iPhone 6 (2014)—Black (SGP11592)”, <http://www.amazon.com/dp/B010MVJDF4>, Earliest review date of Sep. 5, 2015, Downloaded on Jan. 9, 2019.

iPhone 6s Plus Case, Spigen [Thin Fit] Exact-Fit [Black] Premium Matte Finish Hard Case for iPhone 6s Plus (2015) Black (SGP11638), <http://www.amazon.com/dp/B010MVQ06K>, Earliest review date of Sep. 11, 2015, Downloaded on Jan. 9, 2019.

“Spigen Thin Fit iPhone fiS Case with Premium Matte Finish Coating for iPhone 6S 2015—Crystal Clear”, <http://www.amazon.com/dp/B010MVJBMY>, Earliest review date of Sep. 26, 2015, Downloaded on Jan. 9, 2019.

“Spigen Thin Fit Hybrid iPhone 6S Case with Premium SF Coated Non Slip Matte Surface for Excellent Grip and Dnmp Compatible for iPhone 6S 2015—Black”, <http://www.amazon.com/dp/B013J3C73W>, Earliest review date of Sep. 28, 2015, Downloaded on Jan. 9, 2019.

Spigen, “iPhone 6s Case Thin Fit”, <https://www.spigen.com/collections/other-iphone-series/products/iphone-6s-plus-case-thin-fit>, Earliest review date of Oct. 20, 2015, Downloaded on Nov. 26, 2018.

“Spigen Thin Fit Hybrid iPhone 6S Plus Case with Premium SF Coated Non Slip Matte Surface for Excellent Grip and QNMP Compatible for iPhone 6S Plus 2015—Black”, <http://www.amazon.com/dp/B013J3CRGY>, Earliest review date of Oct. 24, 2015, Downloaded on Jan. 9, 2019.

“Spigen Thin Fit Xperia Z5 Case with Premium Matte Finish Coating for Xperia Z5—Gunmetal”, <http://www.amazon.com/dp/B016NF2EWC>, Earliest review date of Nov. 4, 2015, Downloaded on Jan. 9, 2019.

“Nexus 6P Case, Spigen [Thin Fit] Exact-Fit [Black] Premium Matte Finish Hard Case for Nexus 6P (2015)—Black (SGP11814)”, <http://www.amazon.com/dp/B01761J261>, Earliest review date of Nov. 9, 2015, Downloaded on Jan. 9, 2019.

“Spigen Thin Fit Galaxy S7 Edge Case with Premium Matte Finish Coating for Samsung Galaxy S7 Edge 2016 Gunmetal”, <http://www.amazon.com/dp/B01AUR0NZE>, Earliest review date of Feb. 27, 2016, Downloaded on Mar. 6, 2019.

“Spigen Thin Fit Galaxy S7 Case with SF Coated Non Slip Matte Surface for Excellent Grip for Samsung Galaxy S7 2016—Black”, <http://www.amazon.com/dp/B01A7ICRLO>, Earliest review date of Mar. 3, 2016, Downloaded on Jan. 9, 2019.

“Spigen Thin Fit LG G5 Case with SF Coated Non Slip Matte Surface for Excellent Grip for LG G5 2016—Black”, <http://www.amazon.com/dp/B01B1GQETC>, Earliest review date of Apr. 11, 2016, Downloaded on Jan. 9, 2019.

“Spigen Thin Fit iPhone SE Case with Premium Hard Transparent PC for iPhone SE 2016—Crystal Clear”, <http://www.amazon.com/dp/B01CK2K31Q>, Earliest review date of May 11, 2016, Downloaded on Jan. 9, 2019.

“Spigen Thin Fit iPhone 8 Plus/iPhone 7 Plus Case with SF Coated Non Slip Matte Surface for Excellent Grip and QNMP Compatible for Apple iPhone 8 Plus (2017) / iPhone 7 Plus (2016)—Black”, <http://www.amazon.com/dp/B01GIWF4EK>, Earliest review date of Sep. 2, 2016, Downloaded on Jan. 9, 2019.

“Spigen Thin Fit iPhone 8 / iPhone 7 Case with SF Coated Non Slip Matte Surface for Excellent Grip and QNMP compatible for Apple iPhone 8 (2017) / iPhone 7 (2016)—Black”, <http://www.amazon.com/dp/B01GIVW0MG>, Earliest review date of Sep. 15, 2016, Downloaded on Jan. 9, 2019.

Spigen, “iPhone 7 Case Thin Fit”, <https://www.spigen.com/products/iphone-7-case-thin-fit?variant=19841249345>, Earliest review date of Oct. 6, 2016, Downloaded on Nov. 26, 2018.

“Spigen Thin Fit iPhone 8 / iPhone 7 Case with Premium Clear Hard PC and Slim Fit for Apple iPhone 8 (2017) / iPhone 7 (2016)..Crystal Clear”, <http://www.amazon.com/dp/B01LXAZCYG>, Earliest review date of Nov. 22, 2016, Downloaded on Jan. 9, 2019.

“Spigen Thin Fit 360 iPhone 7 Plus Case with Exact Slim Full Body Protection Case with 2 Packs of Tempered Glass Screen Protector

for iPhone 7 Plus—Black”, <http://www.amazon.com/dp/B01MU4PPJL>, Earliest review date of Jan. 23, 2017, Downloaded on Jan. 9, 2019.

“Spigen Thin Fit 360 iPhone 7 Case with Exact Slim Full Body Protection Case with 2 Packs of Tempered Glass Screen Protector for iPhone 7—Black”, <http://www.amazon.com/dp/B01MT35FRF>, Earliest review date of Jan. 24, 2017, Downloaded on Jan. 9, 2019.

“Spigen Thin Fit LG G6 Case / G6 Plus Case with SF Coated Non Slip Matte Surface for Excellent Grip and QNMP Compatible for LG G6 / G6 Plus (2017)—Black”, <http://www.amazon.com/dp/B01N6T3N9T>, Earliest review date of Mar. 4, 2017, Downloaded on Jan. 9, 2019.

“Spigen Thin Fit Designed for Samsung Galaxy S8 Plus Case (2017)—Black”, <http://www.amazon.com/dp/B06XP4LGHJ>, Earliest review date of Apr. 1, 2017, Downloaded on Jan. 9, 2019.

“Spigen Thin Fit Designed for Samsung Galaxy S8 Case (2017)—Black”, <http://www.amazon.com/dp/B06XP54BCW>, Earliest review date of Apr. 15, 2017, Downloaded on Jan. 9, 2019.

“Spigen Thin Fit Galaxy Note 8 Case with SF Coated Non Slip Matte Surface for Excellent Grip and Qnmp Compatible for Galaxy Note 8 (2017)—Matte Black”, <http://www.amazon.com/dp/B073R7DFG1>, Earliest review date of Sep. 5, 2017, Downloaded on Jan. 9, 2019.

“Spigen Thin Fit Designed for Apple iPhone Xs Case (2018) / Designed for Apple iPhone X Case (2017)—Matte Black”, <http://www.amazon.com/dp/B074CM9928>, Earliest review date of Sep. 14, 2017, Downloaded on Jan. 9, 2019.

“Spigen Thin Fit [2nd Generation] iPhone 8 Plus Case/iPhone 7 Plus Case with Sf Coated Premium Matte Finish Coating for Apple iPhone 8 Plus (2017) / iPhone 7 Plus (2016)—Black”, <http://www.amazon.com/dp/B07482W96J>, Earliest review date of Oct. 10, 2017, Downloaded on Jan. 9, 2019.

“Spigen Thin Fit [2nd Generation] iPhone 8 Case with SF Coated Non Slip Matte Surface for Excellent Grip and Nireless Charging Compatible for Apple iPhone 8 (2017)—Black”, <https://www.amazon.com/Spigen-Generation-Excellent-Wireless-Compatible/dp/B074835C74>, Earliest review date of Oct. 18, 2017, Downloaded on Jan. 9, 2019.

“Spigen Thin Fit Google Pixel 2 XL Case with SF Coated Non Slip Matte Surface for Excellent Grip for Google Pixel 2 KL (2017)—Black”, <http://www.amazon.com/dp/B07475C1VT>, Earliest review date of Oct. 19, 2017, Downloaded on Jan. 9, 2019.

“Spigen Thin Fit Google Pixel 2 Case with SF Coated Non Slip Matte Surface for Excellent Grip for Google Pixel 2 (2017)—Black”, <http://www.amazon.com/dp/B07477L9JD>, Earliest review date of Oct. 22, 2017, Downloaded on Jan. 9, 2019.

“Spigen Thin Fit iPhone 8 / iPhone 7 Case with Premium Matte Finish Coating and Qnmp Compatible for Apple iPhone 8 (2017) / iPhone 7 (2016)—Red”, <https://www.amazon.com/Spigen-iPhone-Premium-Coating-Compatible/dp/80753G3DGN>, Earliest review date of Dec. 20, 2017, Downloaded on Jan. 9, 2019.

“Spigen Thin Fit Designed for iPad Pro 12.9 Case (2017)—Black”, <http://www.amazon.com/dp/B075FH7TV2>, Earliest review date of Dec. 25, 2017, Downloaded on Jan. 9, 2019.

“Spigen Thin Fit 360 Galaxy Note 8 Case with Exact Slim Full Protection and Tempered Glass Galaxy Note 8 Screen Protector (2017)—Orchid Gray”, <http://www.amazon.com/dp/B073RWK9R6>, Earliest review date of Dec. 28, 2017, Downloaded on Jan. 9, 2019.

“Spigen Thin Fit 360 Designed for Apple iPhone Xs Case (2018) / Designed for Apple iPhone X Case (2017)—Black”, <http://www.amazon.com/dp/B074Z7J4PC>, Earliest review date of Jan. 4, 2018, Downloaded on Jan. 9, 2019.

“Spigen Thin Fit Galaxy S9 Plus Case with SF Coated Non Slip Matte Surface for Excellent Grip and Qnmp Compatible for Galaxy S9 Plus (2018)—Black”, <http://www.amazon.com/dp/B0789QYCMS>, Earliest review date of Mar. 6, 2018, Downloaded on Jan. 9, 2019.

“Spigen Thin Fit Galaxy S9 Case with SF Coated Non Slip Matte Surface for Excellent Grip and Qnmp Compatible for Galaxy S9 (2018)—Black”, <https://www.amazon.com/Spigen-Galaxy-Surface-Excellent-Compatible/dp/B078BBJKK9>, Earliest review date of Mar. 9, 2018, Downloaded on Jan. 9, 2019.

“Spigen Thin Fit 360 Galaxy S9 Case with Exact Slim Full Protection with Tempered Glass Screen Protector for Samsung

(56)

References Cited

OTHER PUBLICATIONS

Galaxy S9 (2018)—Black”, <http://www.amazon.com/dp/B07896GDZ7>, Earliest review date of Mar. 15, 2018, Downloaded on Jan. 9, 2019.

“Spigen Thin Fit 360 Galaxy S9 Plus Case with Exact Slim Full Protection with Tempered Glass Screen Protector for Samsung Galaxy S9 Plus (2018)—Black”, <http://www.amazon.com/dp/B07898KVKH>, Earliest review date of Apr. 6, 2018, Downloaded on Jan. 9, 2019.

* cited by examiner

FIG. 1

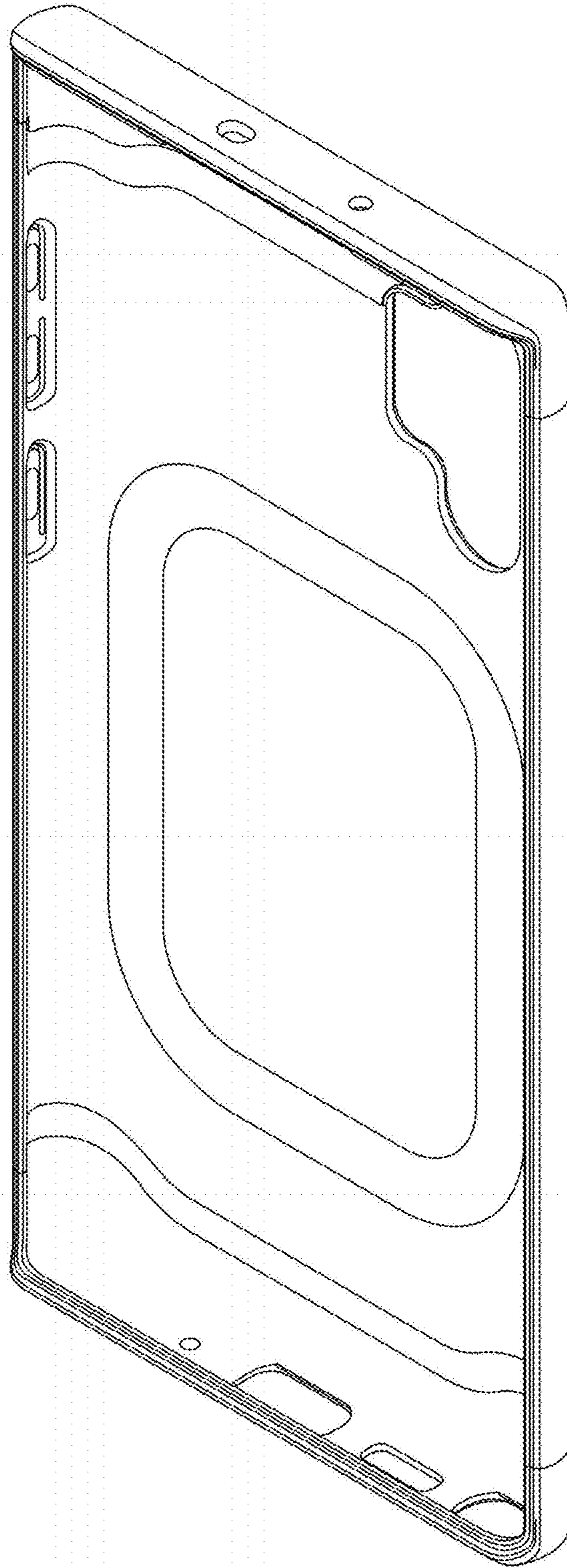


FIG. 2

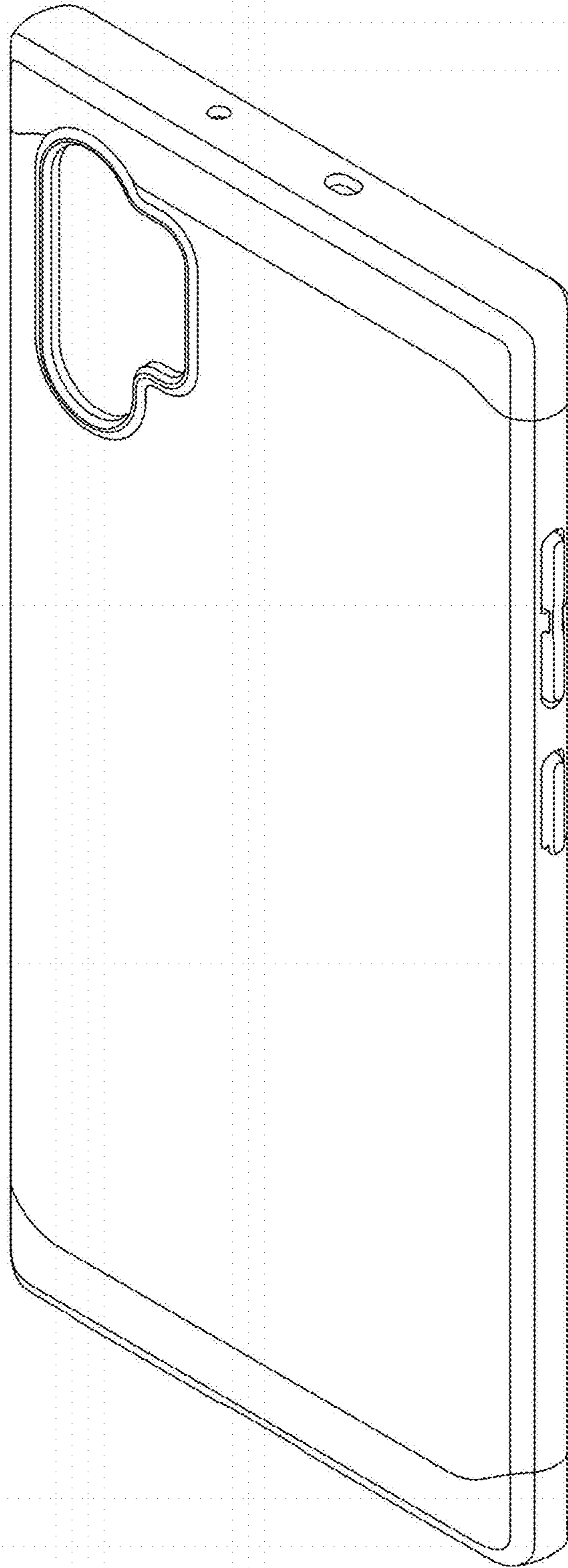


FIG. 3

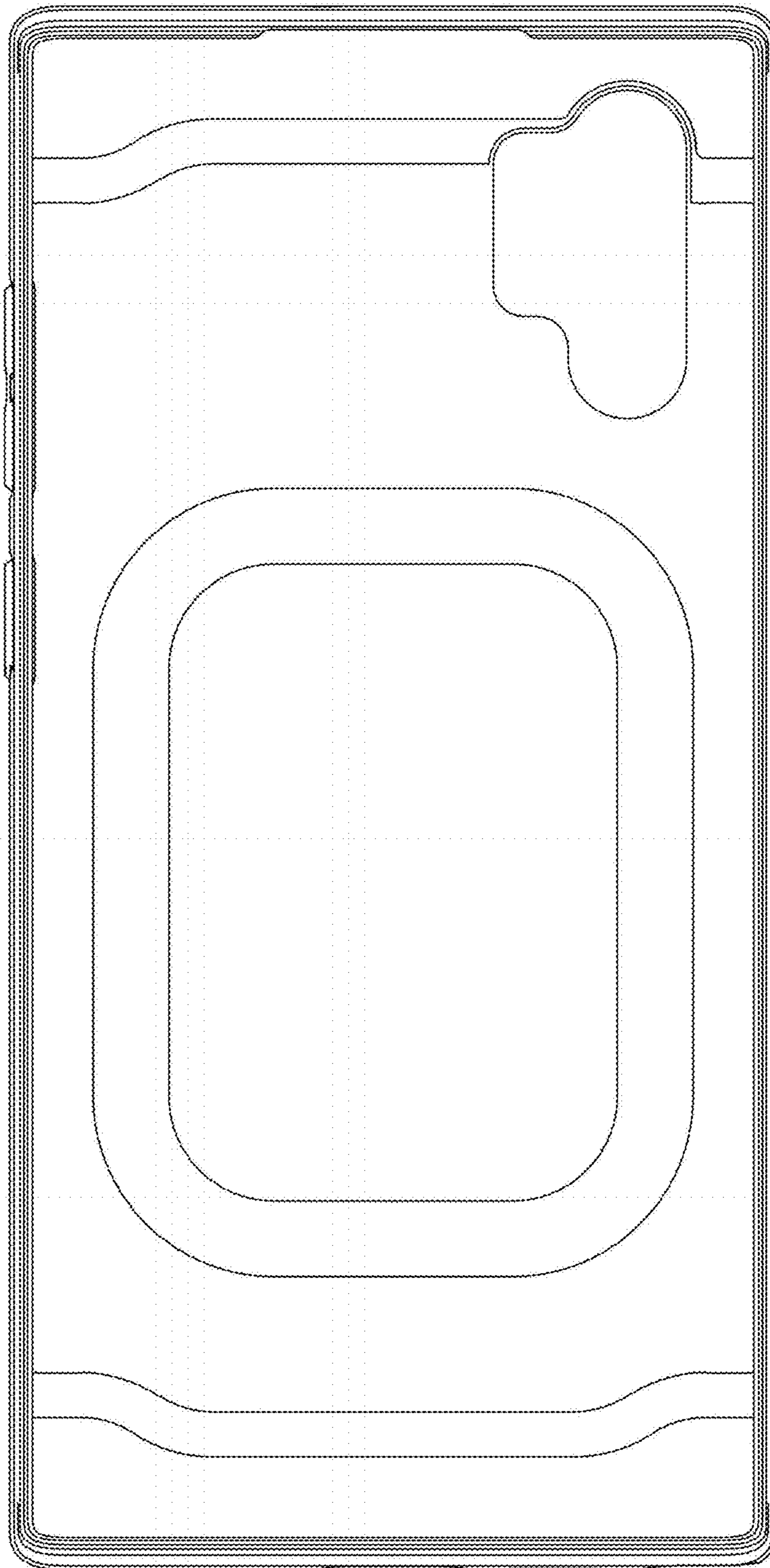


FIG. 4

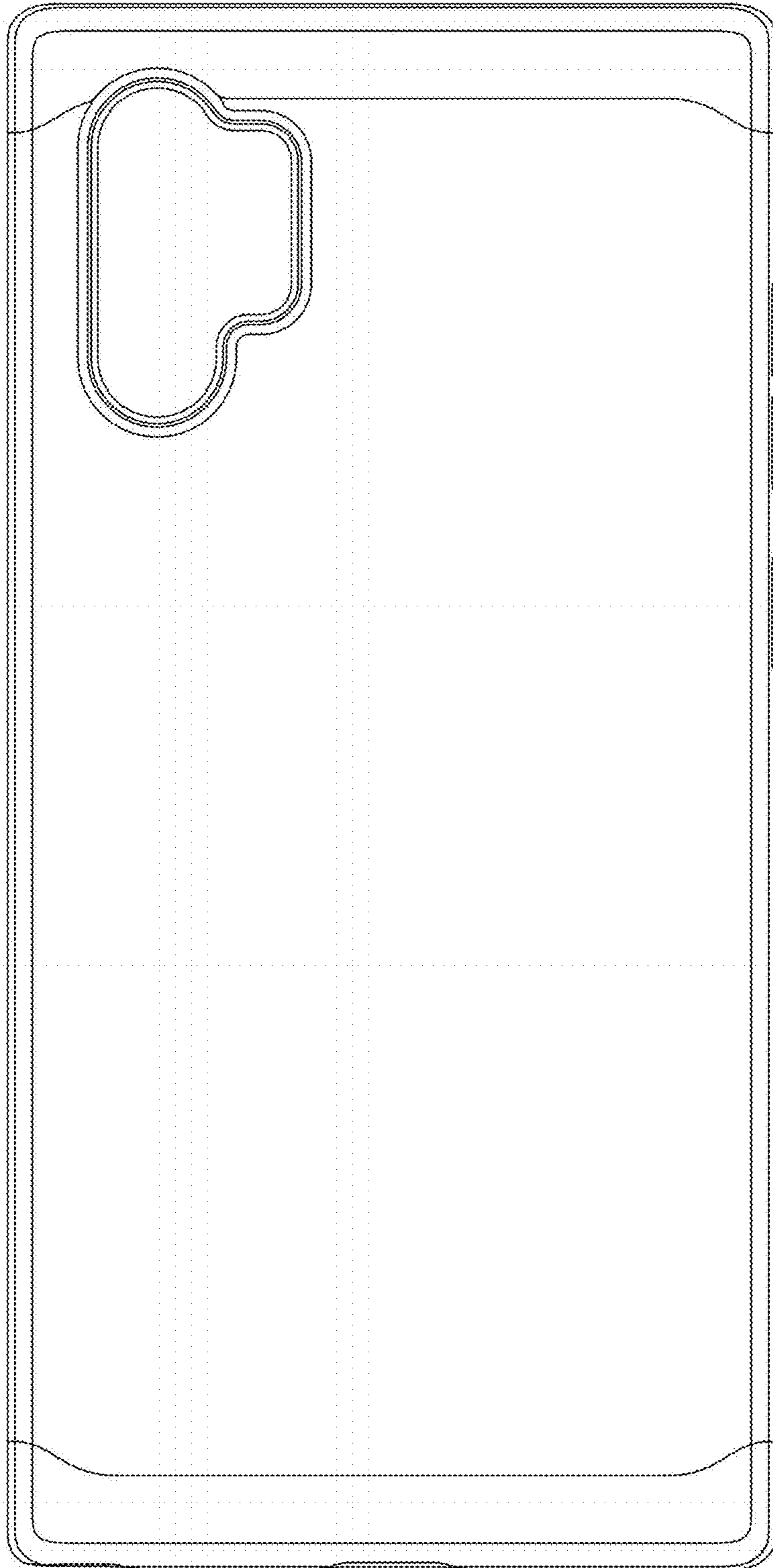


FIG. 5

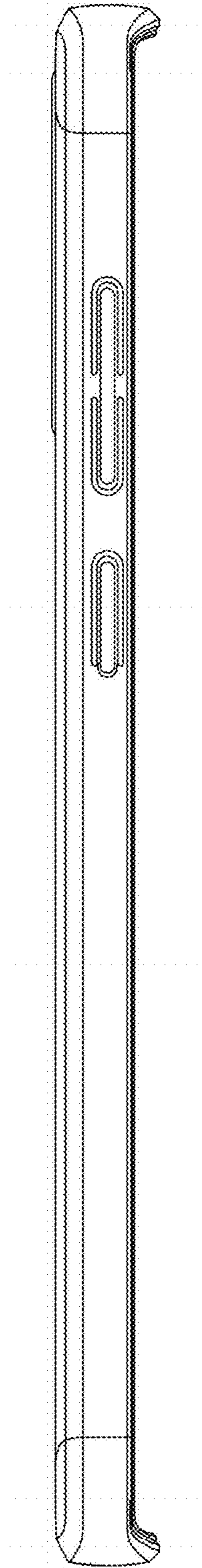


FIG. 6

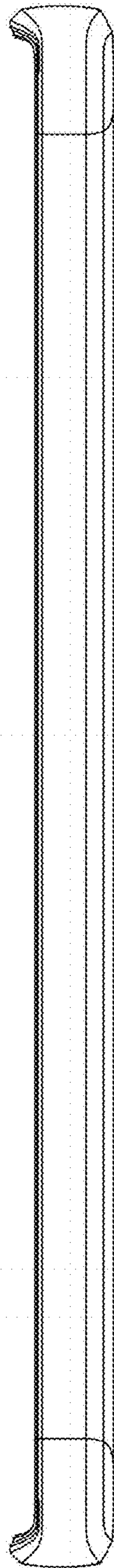


FIG. 7

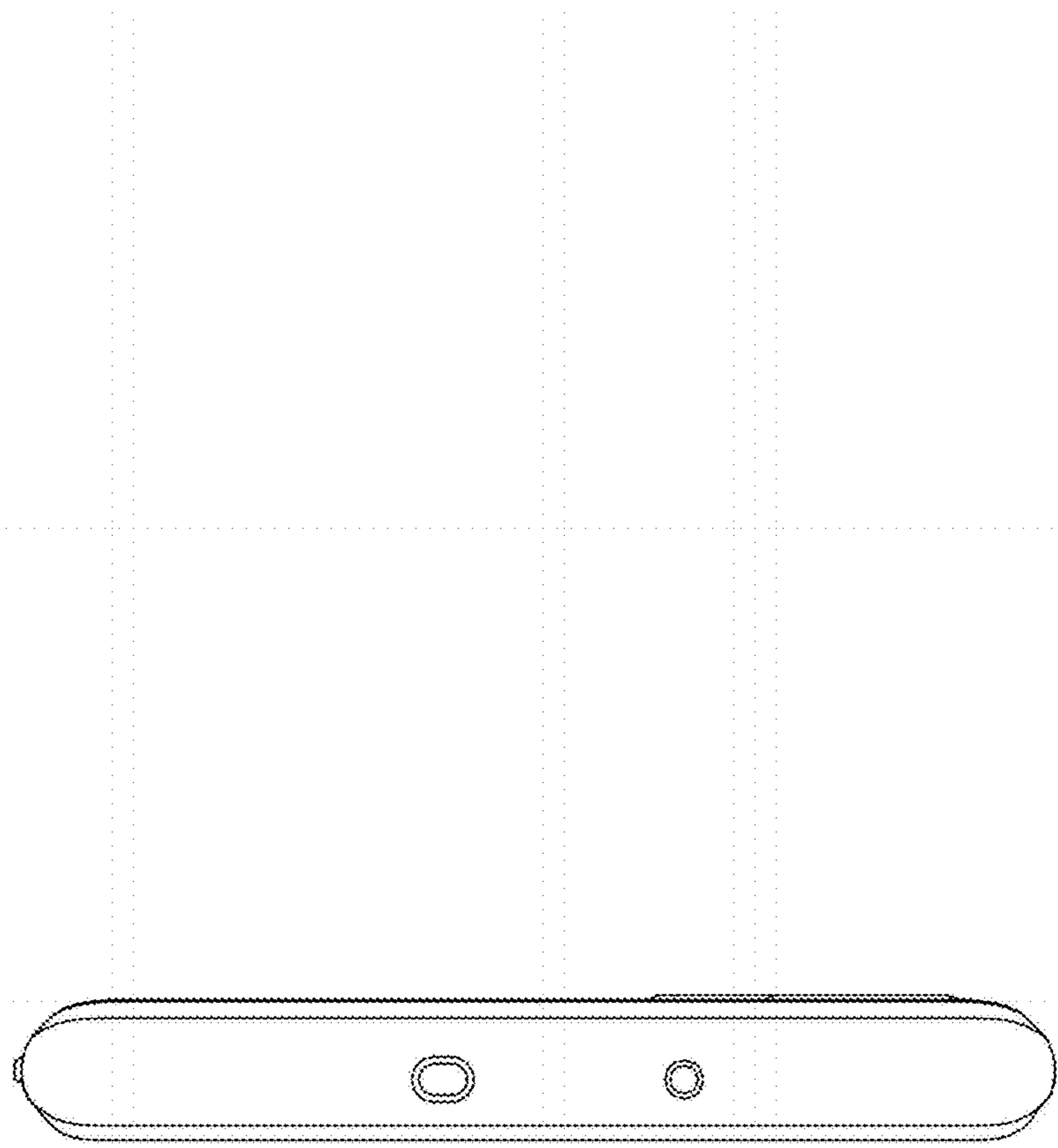


FIG. 8

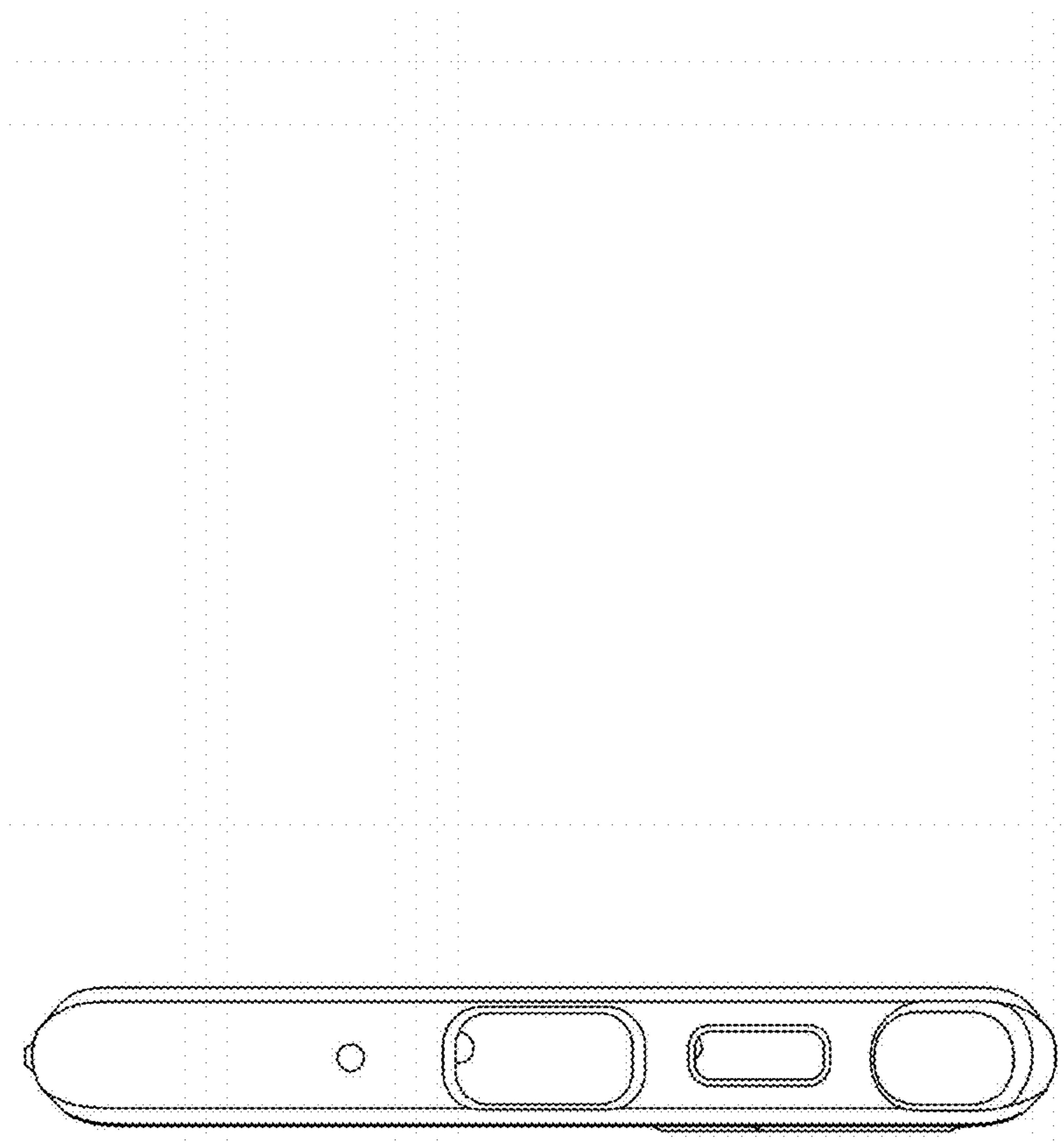


FIG. 9

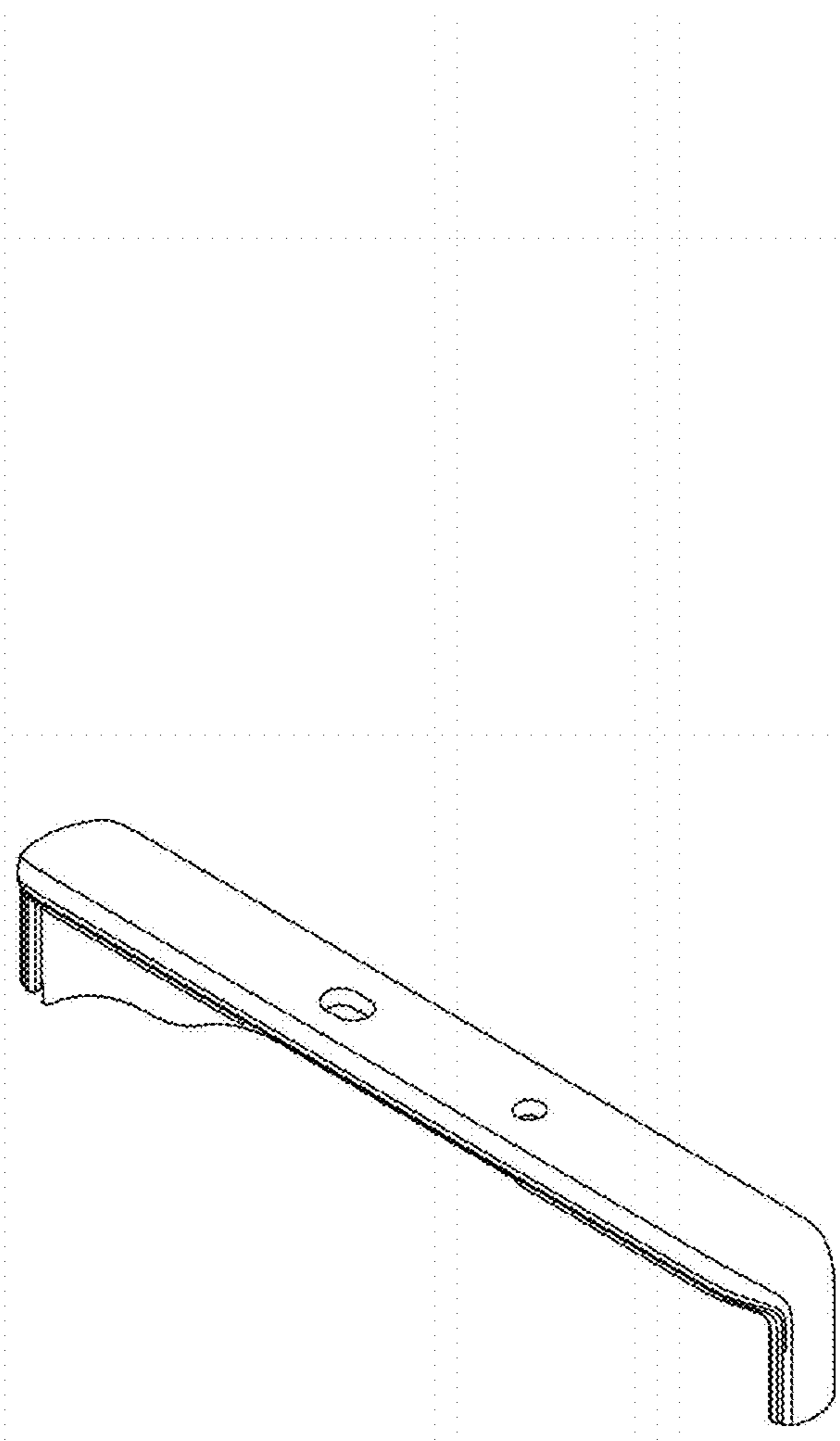


FIG. 10

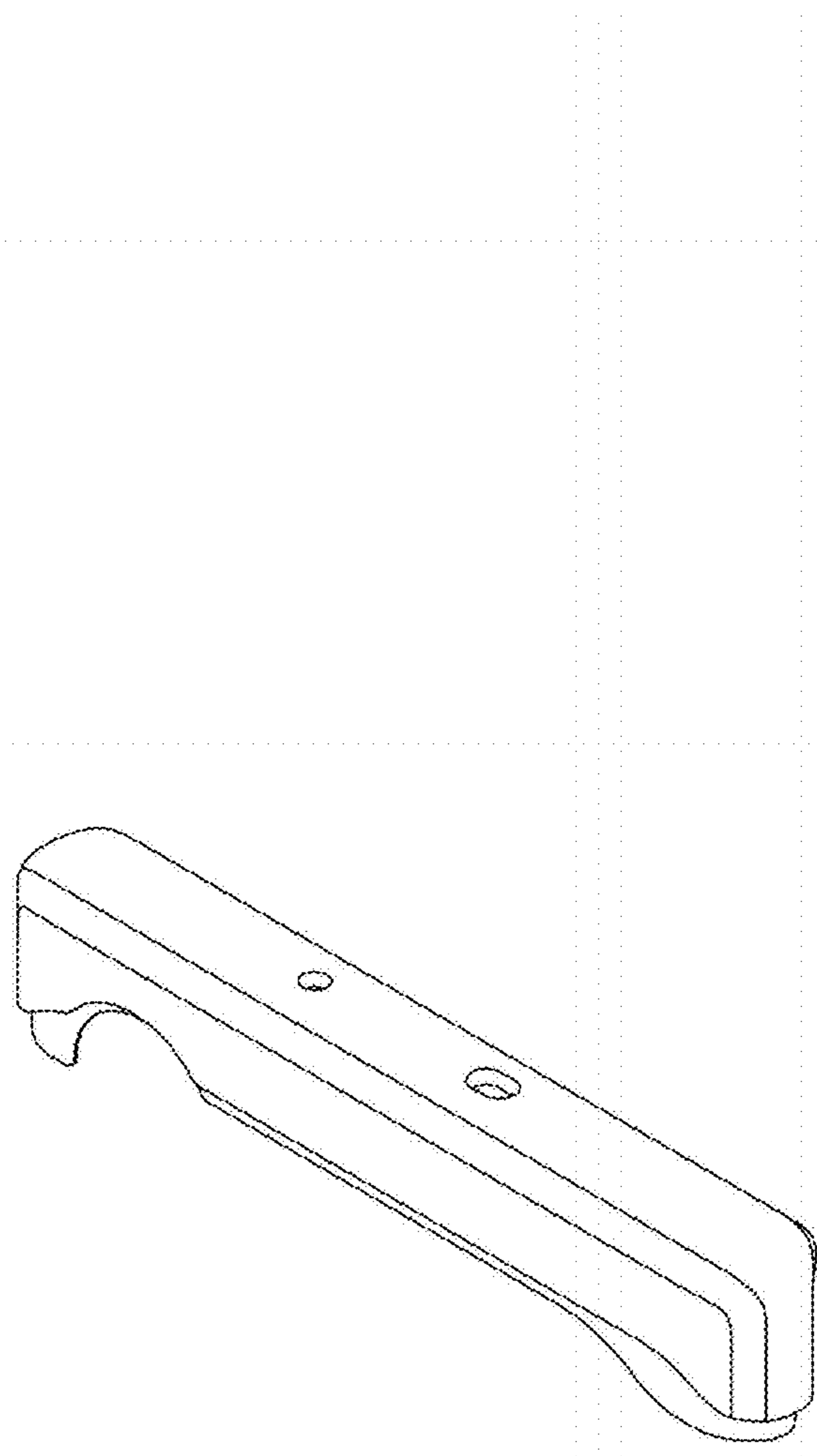


FIG. 11

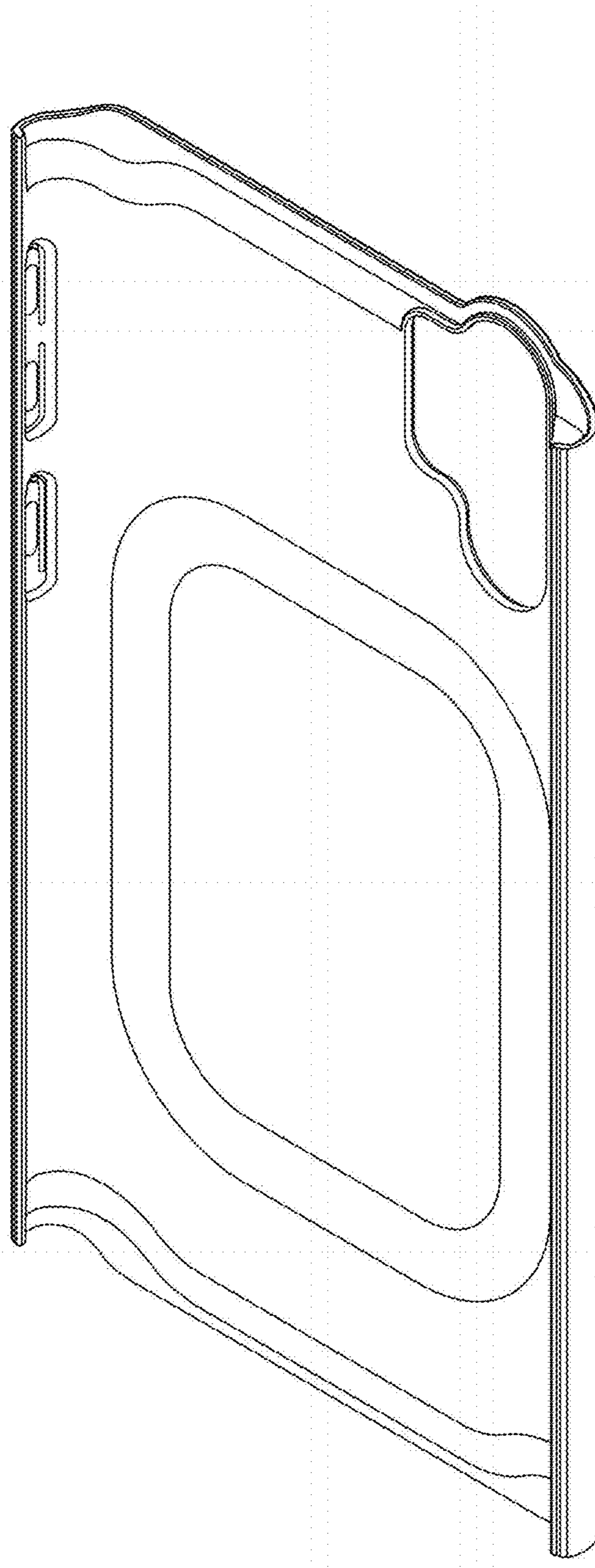


FIG. 12

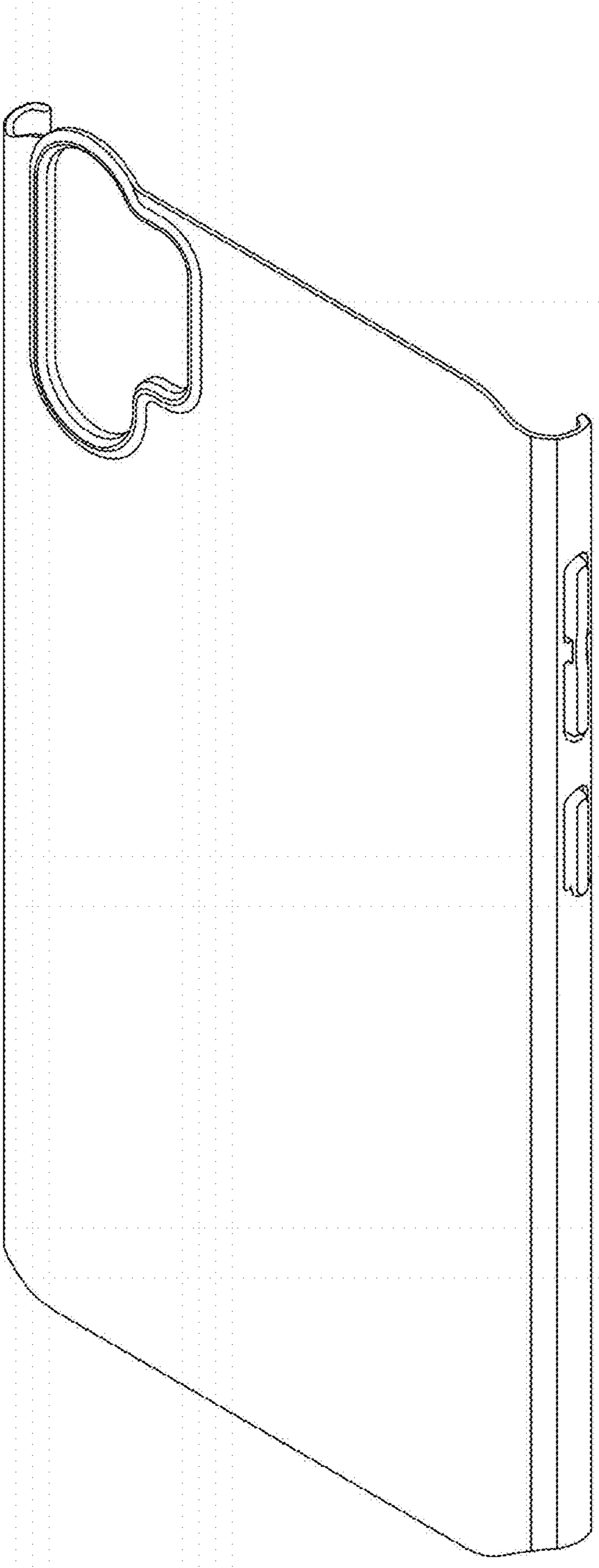


FIG. 13

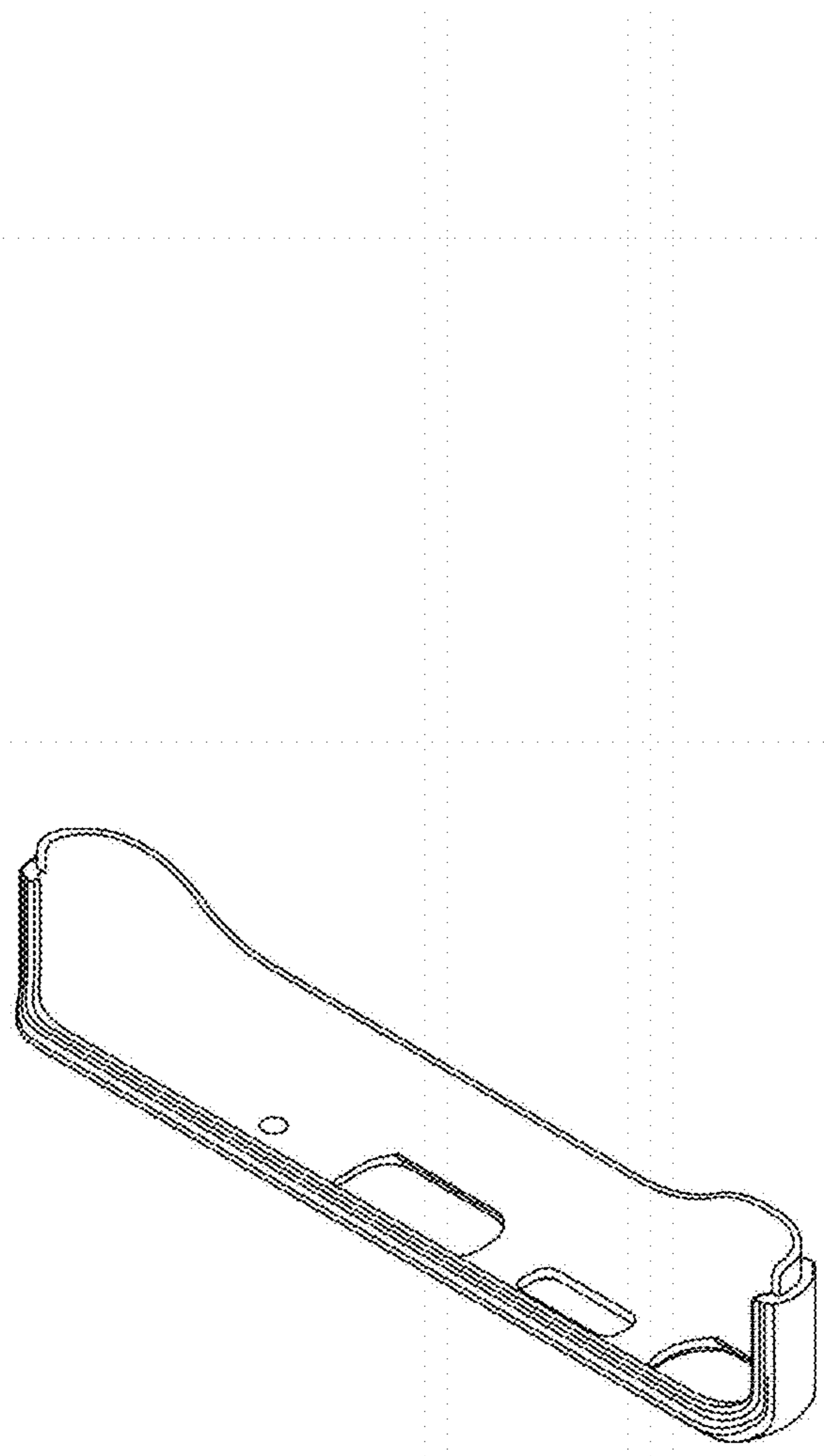


FIG. 14

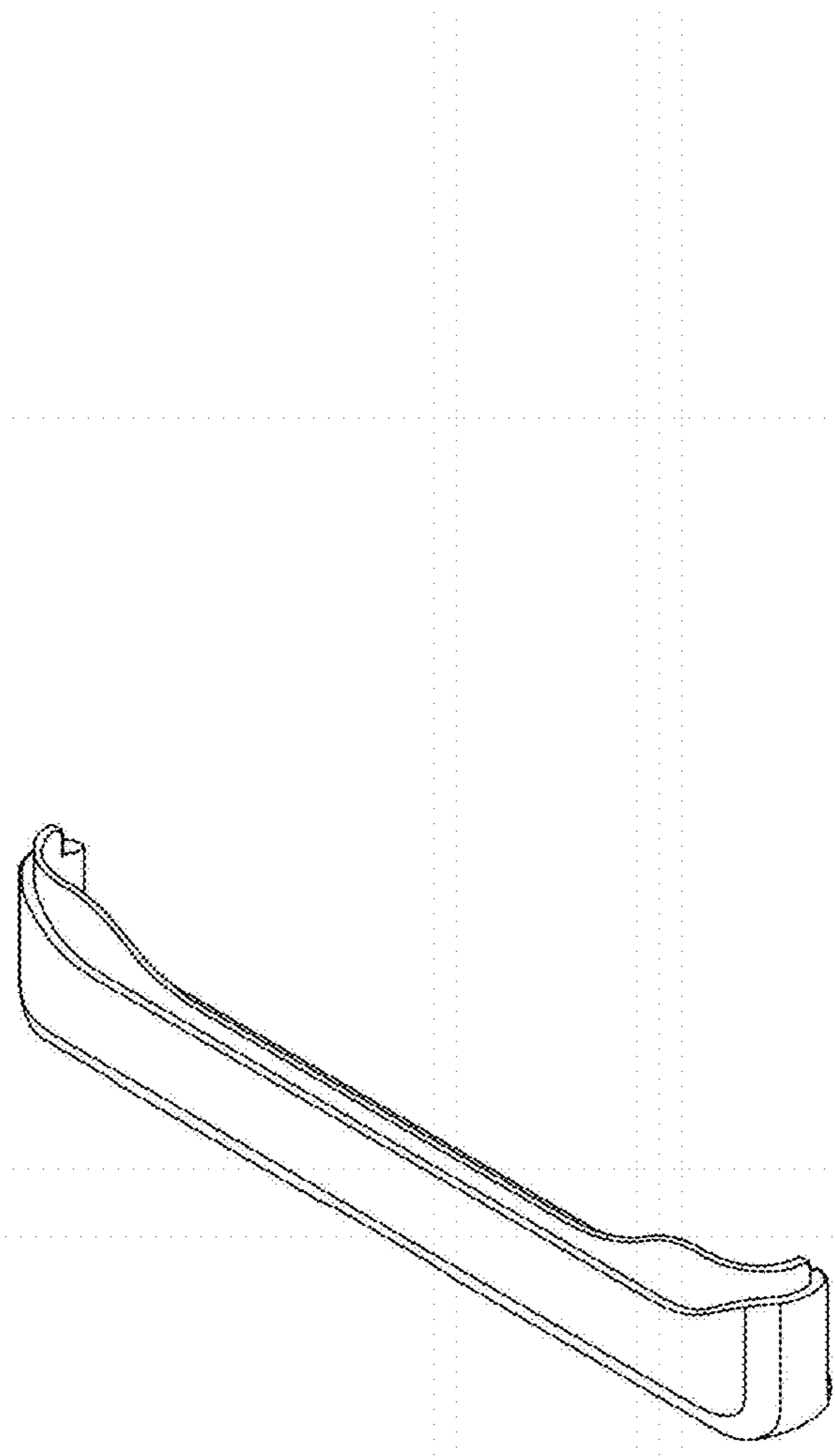


FIG. 15

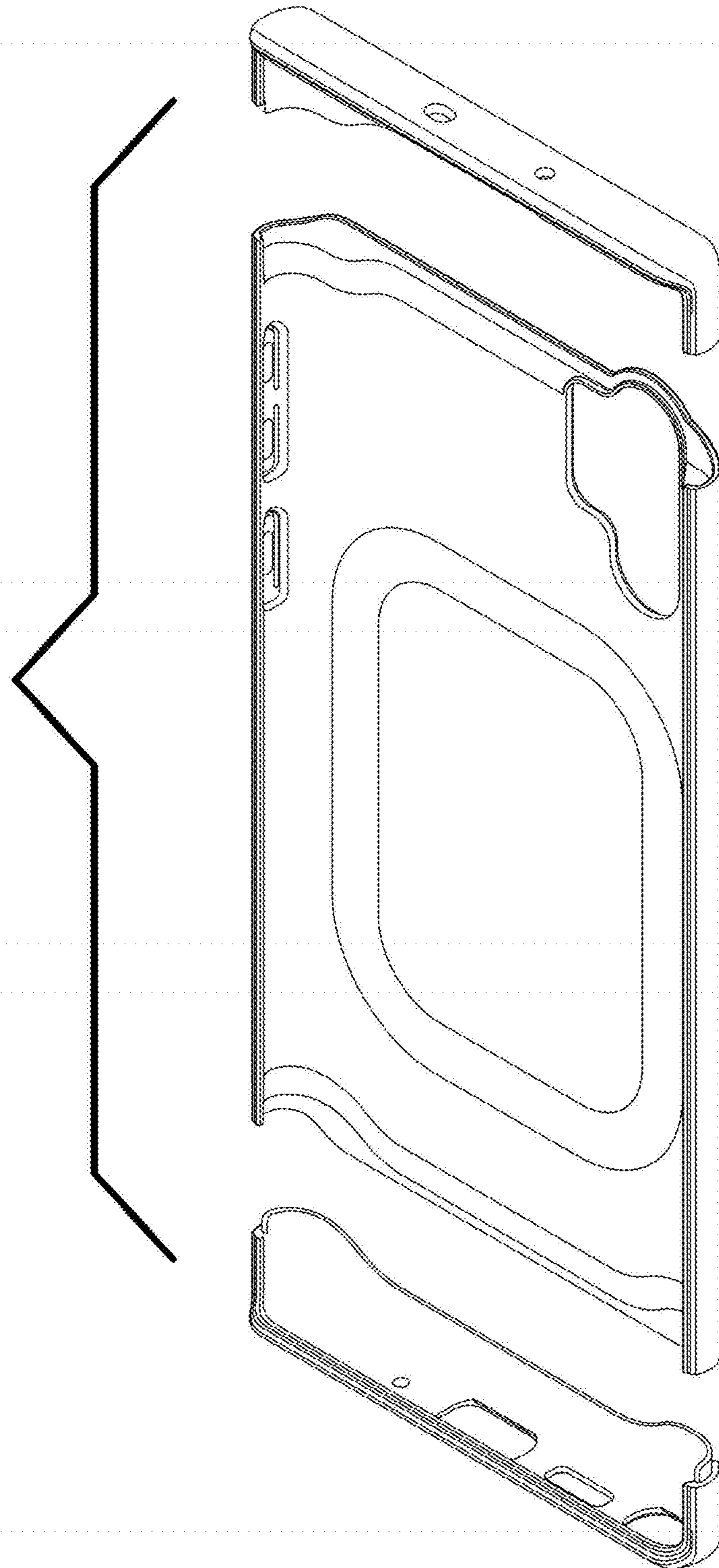


FIG. 16

