



US00D916063S

(12) **United States Design Patent** (10) **Patent No.:** **US D916,063 S**
Lyu (45) **Date of Patent:** **** Apr. 13, 2021**

(54) **MONITOR WALL MOUNT APPARATUS**

FOREIGN PATENT DOCUMENTS

(71) Applicant: **Yaqi Lyu**, Shenzen (CN)

CN 303226100 * 5/2015

(72) Inventor: **Yaqi Lyu**, Shenzen (CN)

CN 303276106 * 7/2015

CN 305081298 * 3/2019

CN 305933625 * 7/2020

(**) Term: **15 Years**

(Continued)

(21) Appl. No.: **29/698,094**

OTHER PUBLICATIONS

(22) Filed: **Jul. 15, 2019**

Amazon. Link: https://www.amazon.com/dp/B07V55F67X/ref=cm_sw_em_r_mt_dp_bBtTFbAAKGWTQ?_encoding=UTF8&psc=1. Jul. 14, 2019. Perlesmith TV Wall Mount Bracket. (Year: 2019).*

(51) **LOC (13) Cl.** **14-03**

(52) **U.S. Cl.**

(Continued)

USPC **D14/239**

(58) **Field of Classification Search**

USPC D14/239, 371, 372, 373, 374, 447-452,
D14/125, 127, 128, 129, 355-337, 375,
D14/376, 377, 341, 126; D8/355, 363,
D8/373; D6/672, 682

CPC F16M 11/2085; F16M 11/2092; F16M
11/2007; F16M 11/2014; F16M 11/2021;
F16M 11/105; F16M 11/10; F16M
11/048; F16M 11/12; F16M 13/022

See application file for complete search history.

Primary Examiner — Lauren D McVey

(57) **CLAIM**

The ornamental design for a monitor wall mount apparatus, as shown and described.

DESCRIPTION

FIG. 1 is a perspective view of a monitor wall mount apparatus showing my new design in a fully extended state; FIG. 2 is a perspective view of the monitor wall mount apparatus in a fully retracted state; FIG. 3 is a front elevational view of FIG. 1; FIG. 4 is a rear elevational view thereof; FIG. 5 is a left side elevational view thereof; FIG. 6 is a right side elevational view thereof; FIG. 7 is a top plan view thereof; and, FIG. 8 is a bottom plan view thereof.

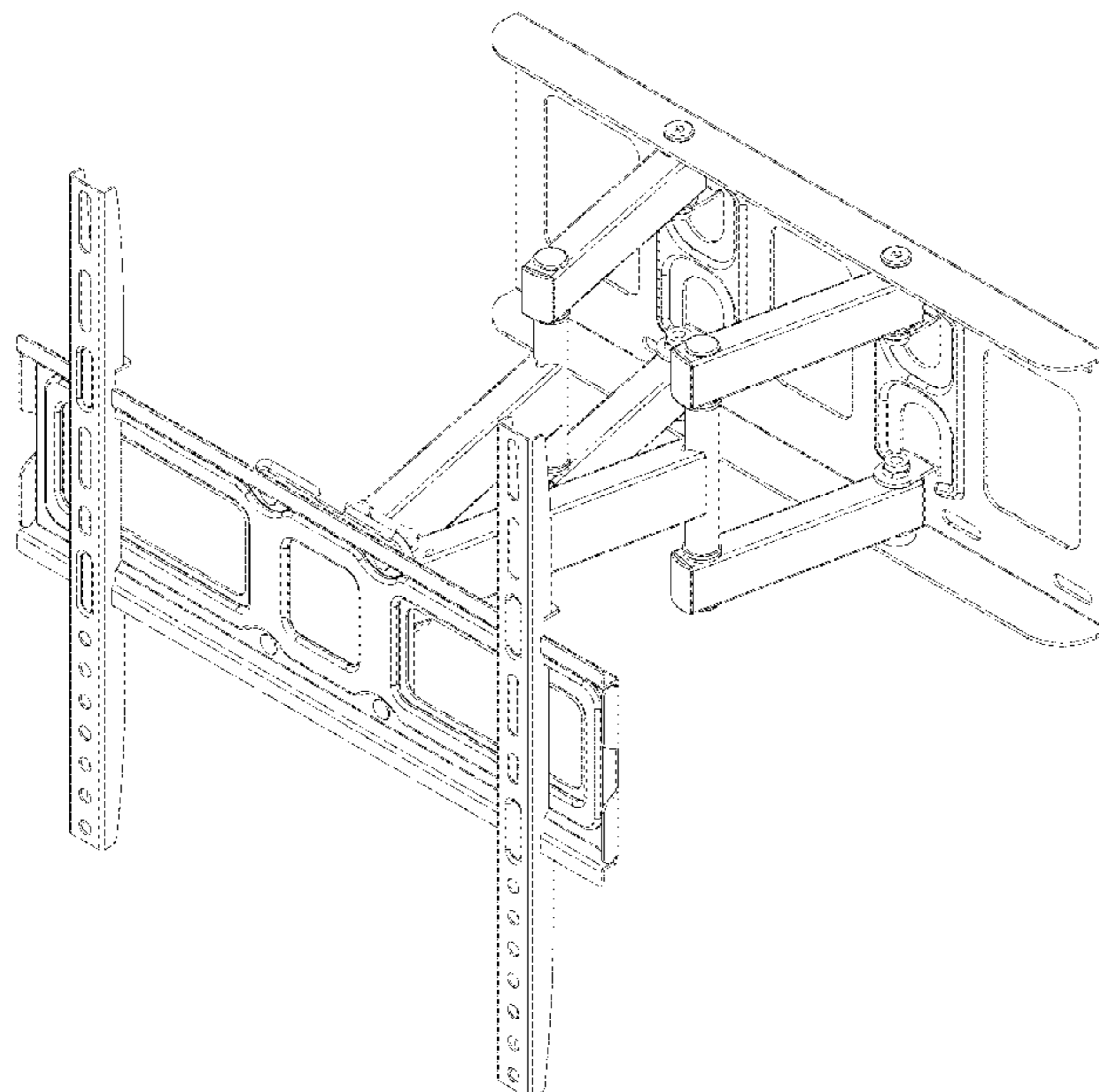
The broken lines immediately adjacent to the claim depict the bounds of the claimed design, while all other broken lines are directed to environment. The broken lines form no part of the claimed design. The wire frame lines shown throughout the views indicate surface contour.

(56) **References Cited**

U.S. PATENT DOCUMENTS

D587,694 S *	3/2009	Sculler	D14/239
D631,875 S *	2/2011	Skull	D14/239
D650,373 S *	12/2011	Stemple	D14/239
D842,283 S *	3/2019	Pei	D14/239
D848,989 S *	5/2019	Pei	D14/239
D852,174 S *	6/2019	Pei	D14/239
D853,403 S *	7/2019	Lyu	D14/451
D877,743 S *	3/2020	Pei	D14/451
D888,027 S *	6/2020	Pei	D14/239
2007/0235614 A1 *	10/2007	O'Keene	F16M 13/02 248/309.1
2019/0203873 A1 *	7/2019	Pei	F16M 11/126
2019/0390817 A1 *	12/2019	Pei	F16M 11/10
2020/0340614 A1 *	10/2020	Pei	F16M 11/2092

1 Claim, 8 Drawing Sheets



(56)

References Cited

FOREIGN PATENT DOCUMENTS

CN	305948167	*	7/2020
CN	305997120	*	8/2020

OTHER PUBLICATIONS

Amazon. Link: https://www.amazon.com/dp/B07PMBDZ7K/ref=cm_sw_em_r_mt_dp_DmfTFbBCGW7Z0?_encoding=UTF8&psc=1. Mar. 12, 2019. TV Wall Mount Bracket Full Motion Dual Swivel Articulating Arms Extension Tilt Rotation by Pipishell. (Year: 2019).*

Videomountstore. Link: <https://store.videomountstore.com/fixed-tv-wall-mount-for-32-50-33fw005.html>. Visited Nov. 18, 2020. Fixed TV Wall Mount for 32 to 50 Inch. (Year: 2020).*

* cited by examiner

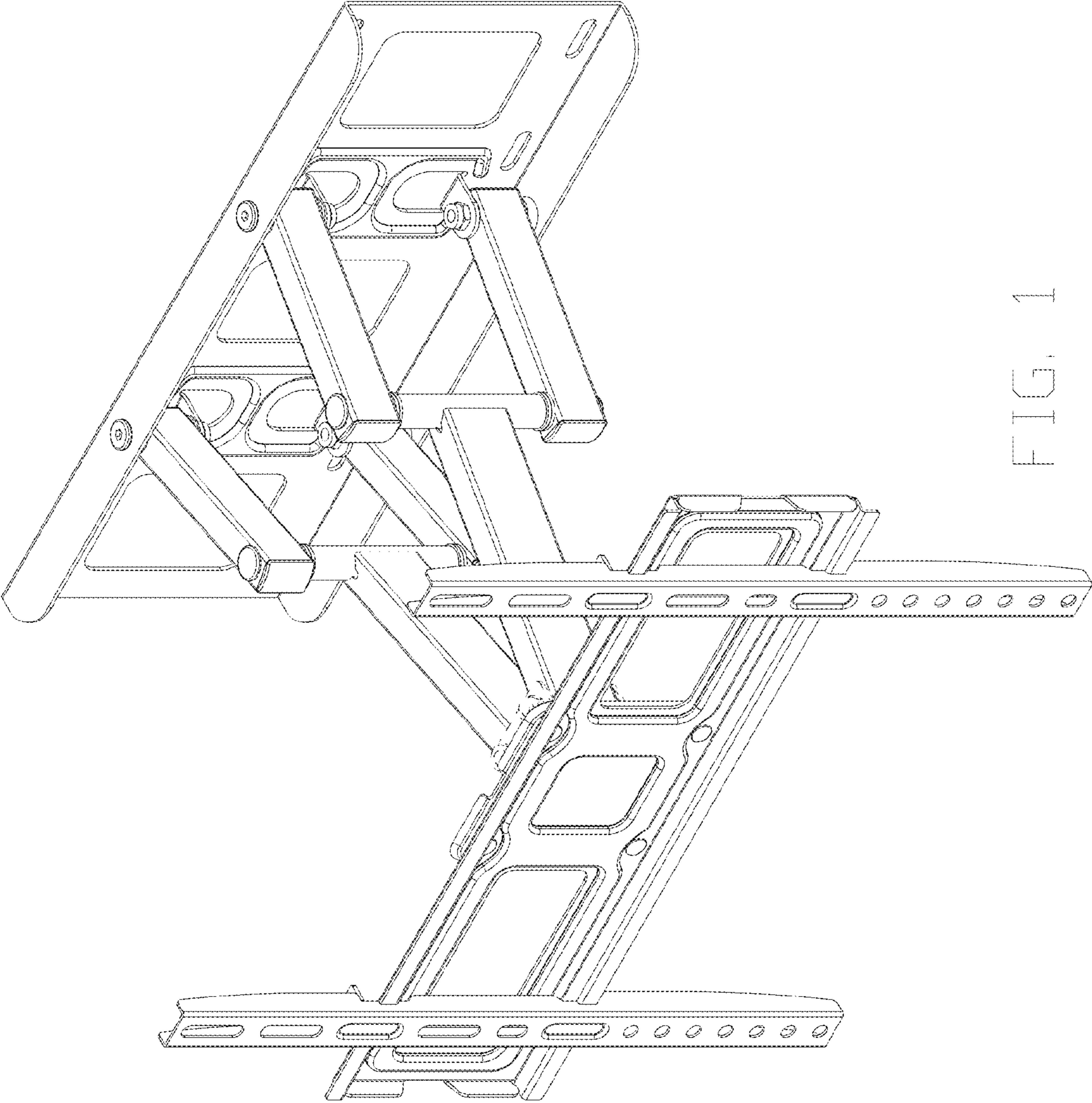


FIG. 1

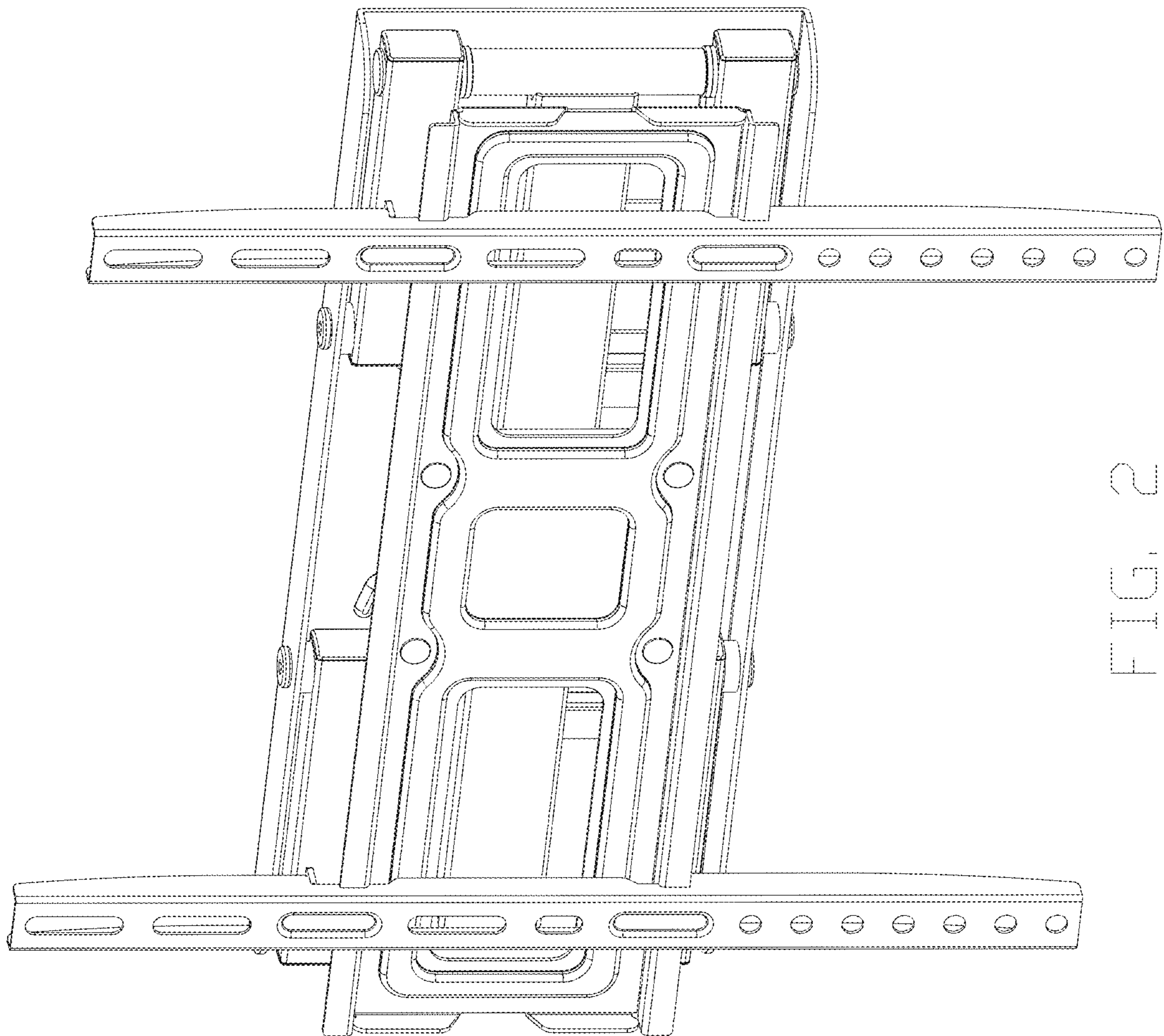


FIG. 2

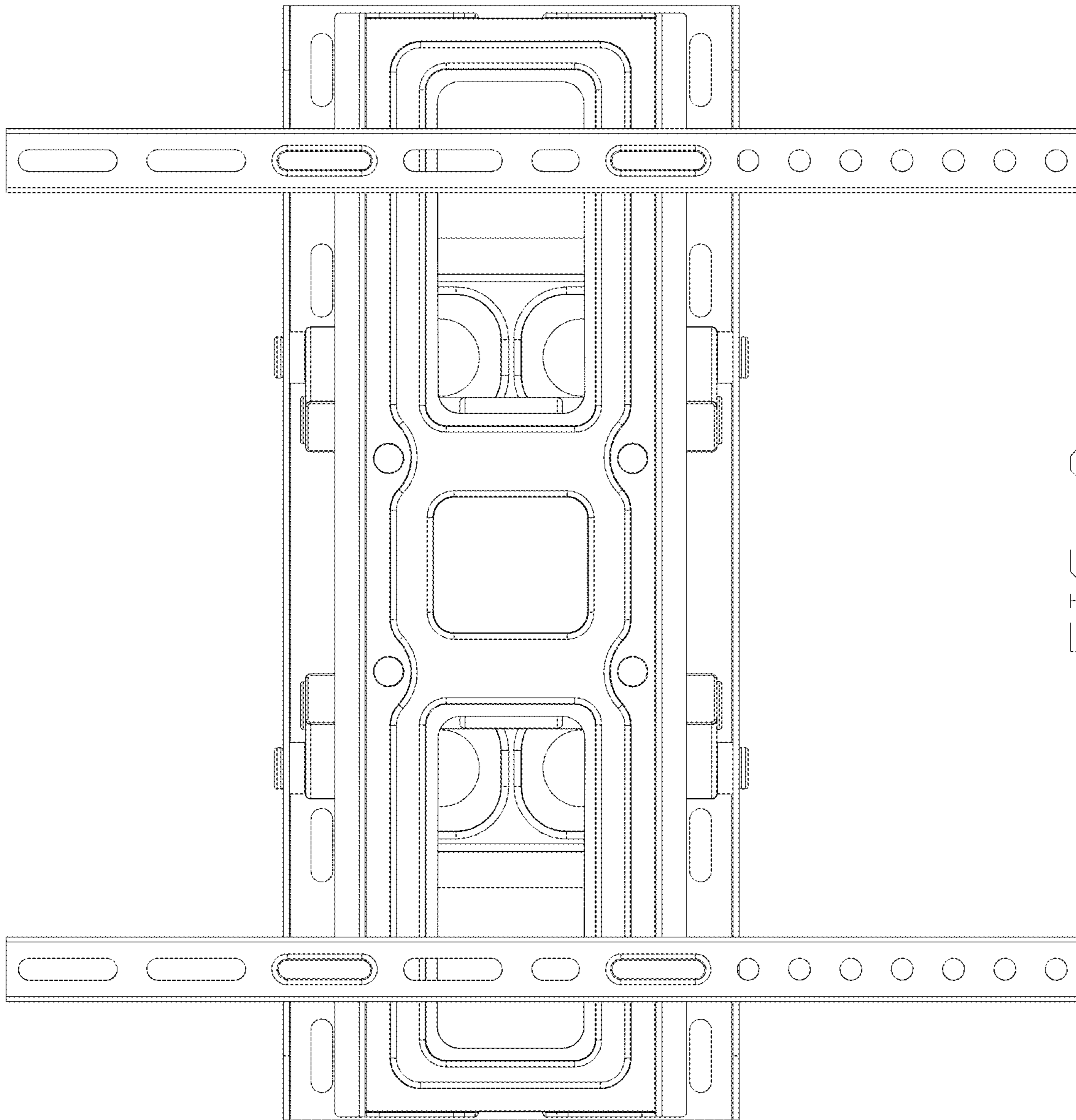


FIG. 3

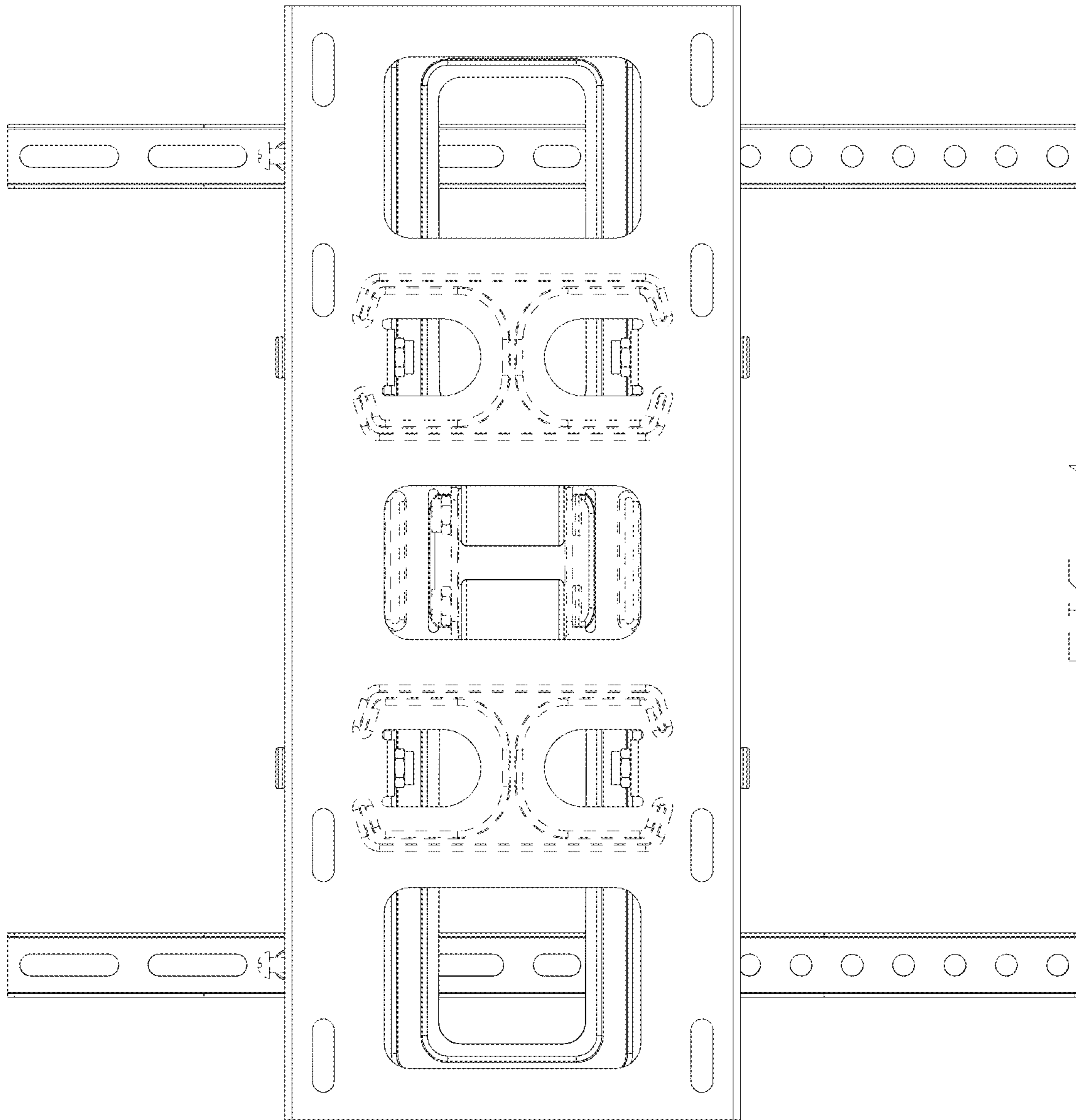


FIG. 4

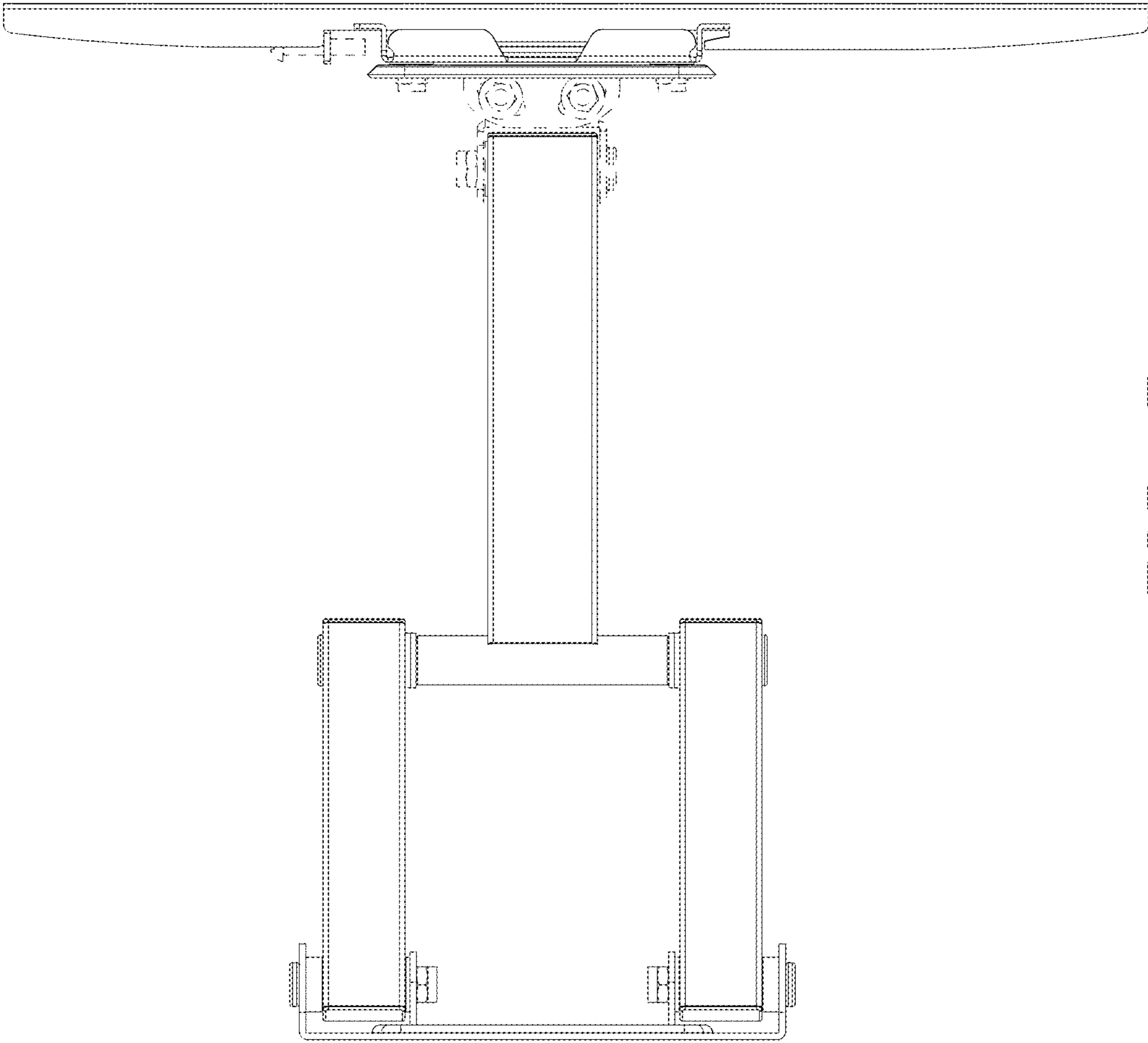


FIG. 5

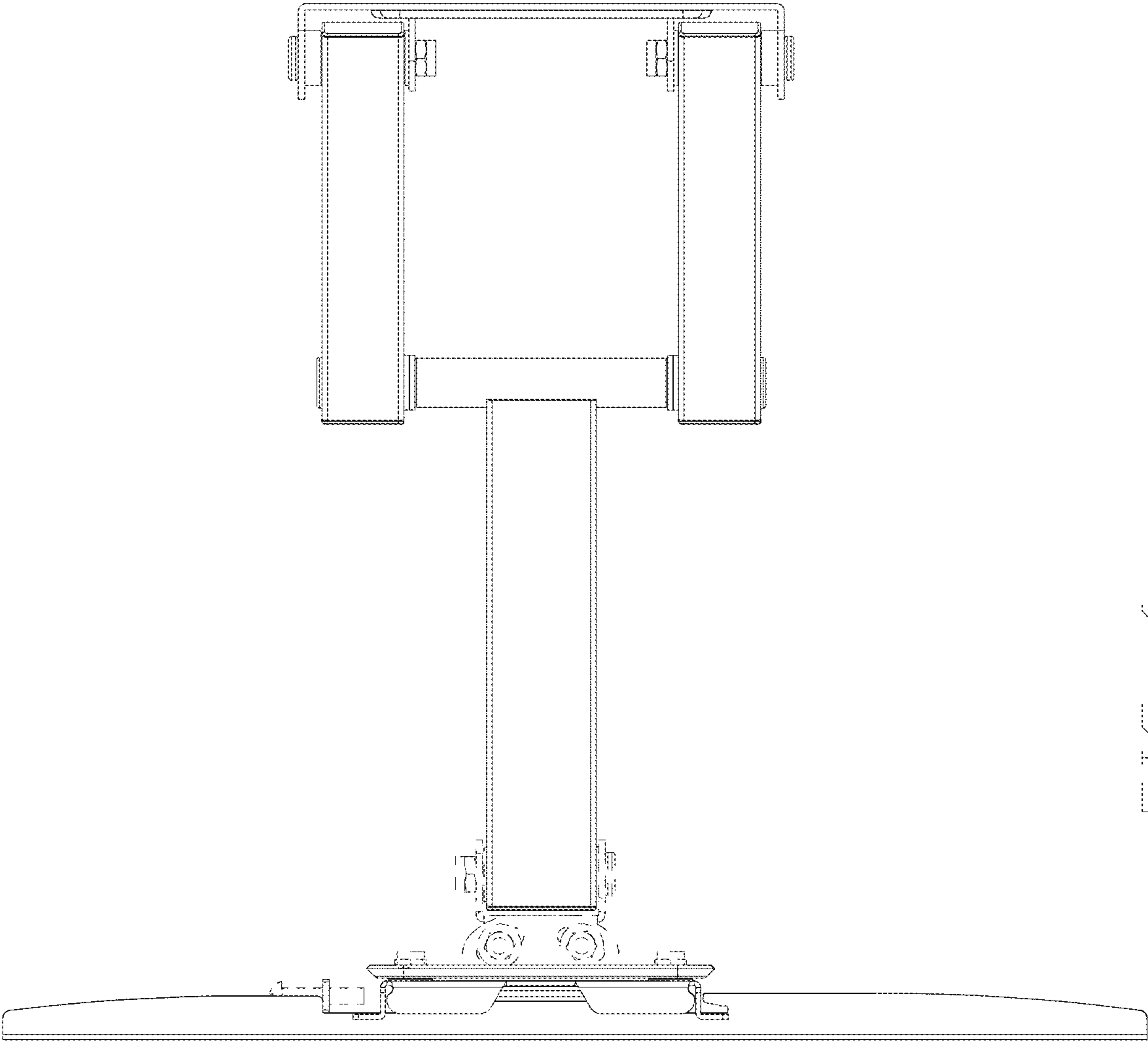


FIG. 6

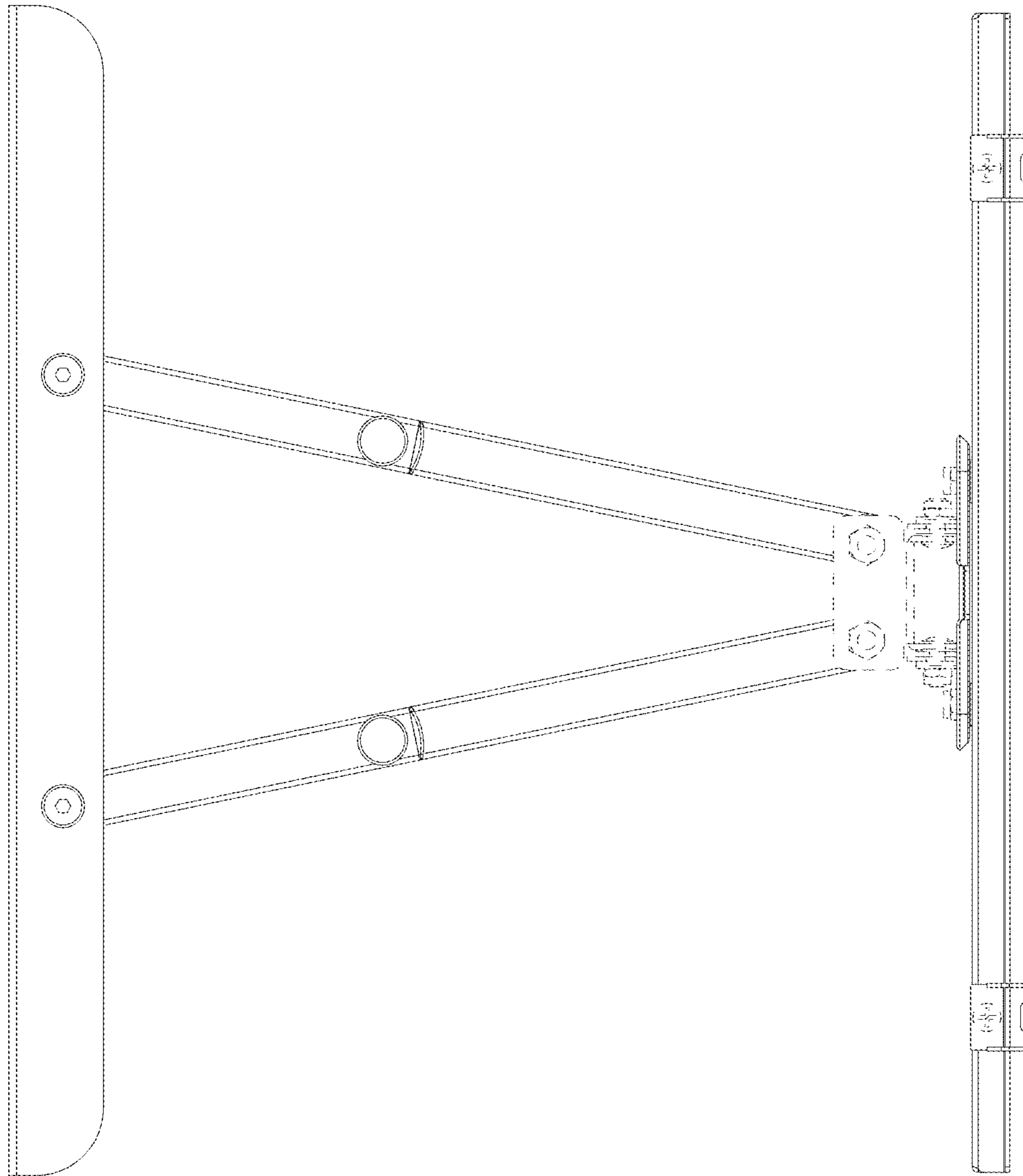


FIG. 7

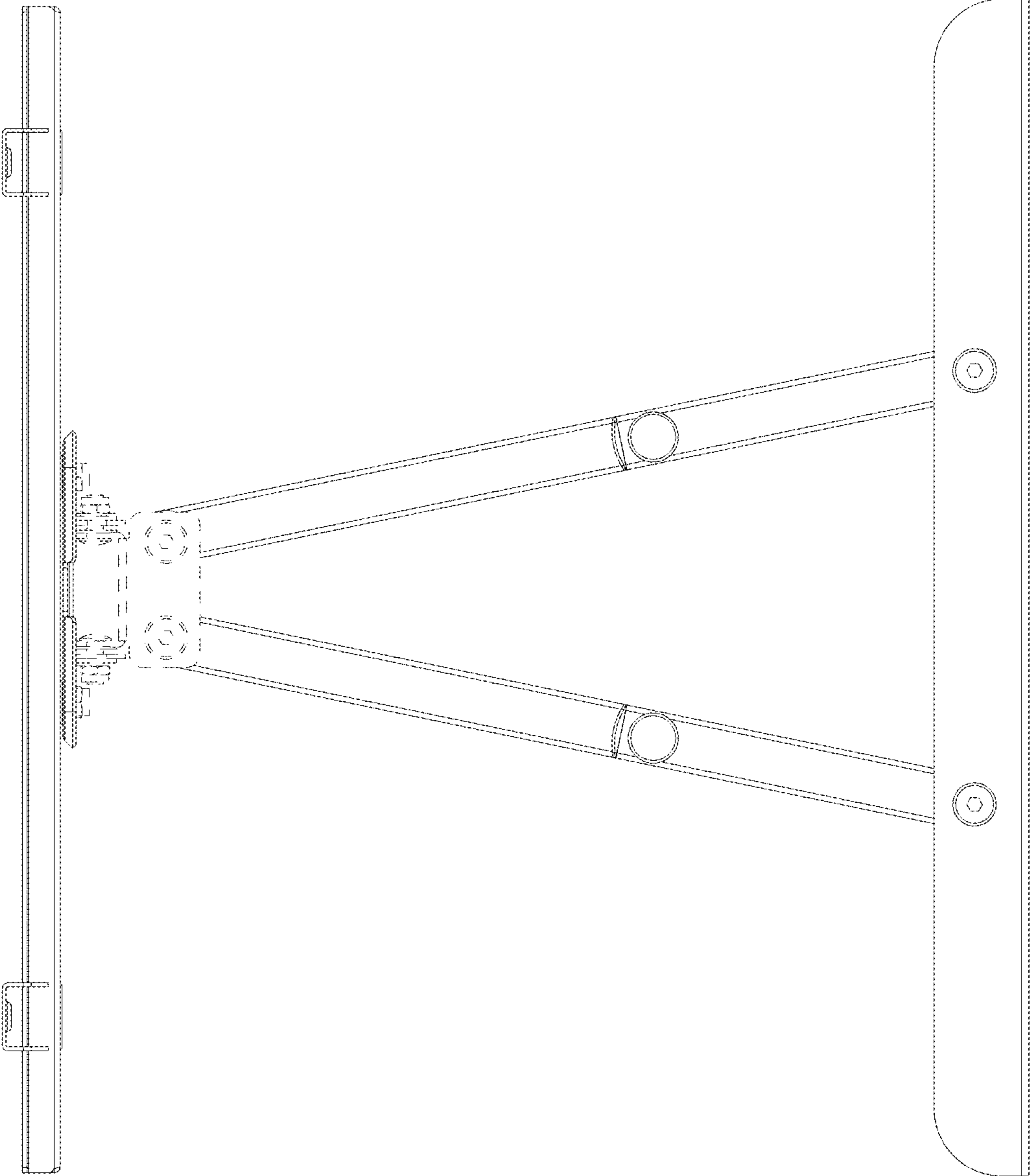


FIG. 8