



US00D916061S

(12) **United States Design Patent**
Wang

(10) **Patent No.:** **US D916,061 S**
(45) **Date of Patent:** **** Apr. 13, 2021**

- (54) **DIRECTIONAL ANTENNA**
- (71) Applicant: **AUTEL ROBOTICS CO., LTD.**,
Shenzhen (CN)
- (72) Inventor: **Yongshuai Wang**, Shenzhen (CN)
- (73) Assignee: **AUTEL ROBOTICS CO., LTD.**,
Guangdong (CN)
- (**) Term: **15 Years**

D565,298 S *	4/2008	Braun	D3/273
D573,591 S *	7/2008	Fu	D14/230
D638,425 S *	5/2011	Ikeda	D14/240
D659,686 S *	5/2012	Podduturi	D14/230
D664,126 S *	7/2012	Feit	D14/230
D683,720 S *	6/2013	Quinlan	D14/230
D730,328 S *	5/2015	Chun	D14/230
D734,799 S *	7/2015	Woodman	D16/200
D745,920 S *	12/2015	Lee	D16/219
D758,999 S *	6/2016	Matsuoka	D14/230
D774,023 S *	12/2016	Fariello	D14/230
D778,265 S *	2/2017	Parfitt	D14/218

(Continued)

(21) Appl. No.: **29/647,056**

FOREIGN PATENT DOCUMENTS

(22) Filed: **May 9, 2018**

CN 304783727 * 8/2018

(30) **Foreign Application Priority Data**

OTHER PUBLICATIONS

Dec. 27, 2017 (CN) 201730673926.1

WiFi Wall Mount directional antenna at reichelt elektronik, website 2020, <https://www.reichelt.com/de/en/9dbi-wifi-wall-mount-directional-antenna-w24-58-cp-9-p202870.html>, site visited Jan. 17, 2020.*

(51) **LOC (13) Cl.** **14-03**

(52) **U.S. Cl.**
USPC **D14/230**

(58) **Field of Classification Search**
USPC D14/230; D13/230, 433
CPC H01Q 9/04; H01Q 9/28; H01Q 21/26;
H01Q 1/12
See application file for complete search history.

Primary Examiner — John R Yeh

(57) **CLAIM**

The ornamental design for a directional antenna, as shown and described.

(56) **References Cited**

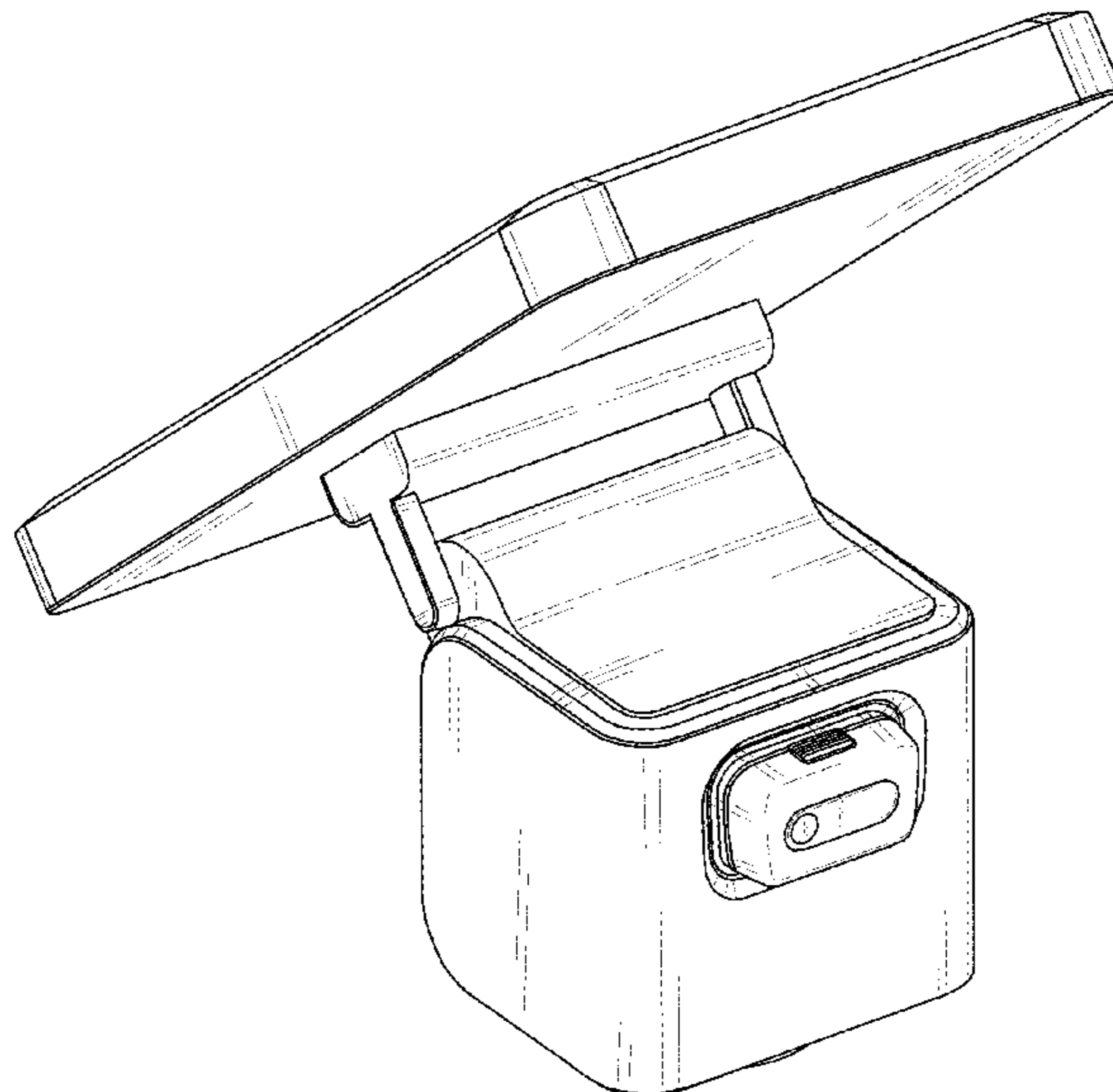
DESCRIPTION

U.S. PATENT DOCUMENTS

D318,673 S *	7/1991	Terk	D14/230
D398,611 S *	9/1998	Read	D14/230
D405,090 S *	2/1999	Guttadauro	D14/230
D406,590 S *	3/1999	Heiligenstein	D14/230
D414,187 S *	9/1999	Lange	D14/231
D471,181 S *	3/2003	Haberstich	D14/230
D483,353 S *	12/2003	Hyogo	D14/230
D483,746 S *	12/2003	Hyogo	D14/230
D517,535 S *	3/2006	Wu	D14/230
7,091,925 B1 *	8/2006	Wang	H01Q 9/0421 343/866
D552,610 S *	10/2007	Newby	D14/433

FIG. 1 is a front elevational view of a directional antenna showing my new design;
FIG. 2 is a rear elevational view thereof;
FIG. 3 is a left side elevational view thereof;
FIG. 4 is a right side elevational view thereof;
FIG. 5 is a top plan view thereof;
FIG. 6 is a bottom plan view thereof; and,
FIG. 7 is a perspective view thereof.
The portions of the drawings shown in broken lines form no part of the claimed design.

1 Claim, 7 Drawing Sheets



(56)

References Cited

U.S. PATENT DOCUMENTS

D788,085	S *	5/2017	Matsuoka	D14/230
9,661,195	B2 *	5/2017	Jing	G03B 17/08
D788,746	S *	6/2017	Matsuoka	D14/230
D791,748	S *	7/2017	Bellows	D14/230
10,078,644	B1 *	9/2018	Newman	G06F 16/78
D877,126	S *	3/2020	DeCastro	D14/230
D879,078	S *	3/2020	Boggs	D14/230
D888,696	S *	6/2020	Carson	D14/230
D904,299	S *	12/2020	Liao	D13/110
2005/0075006	A1 *	4/2005	Smith	F16J 15/3456 439/527

* cited by examiner

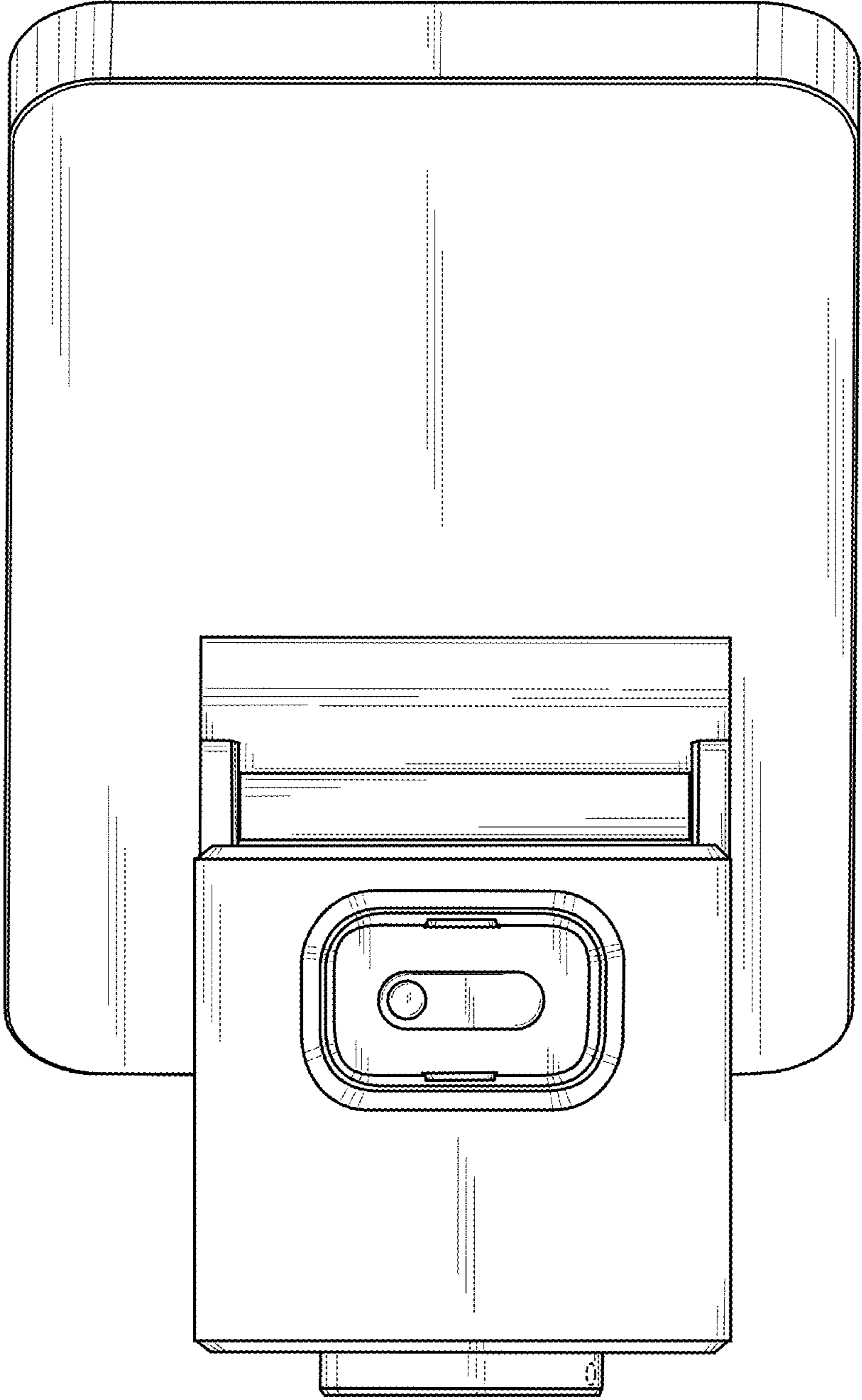


FIG. 1

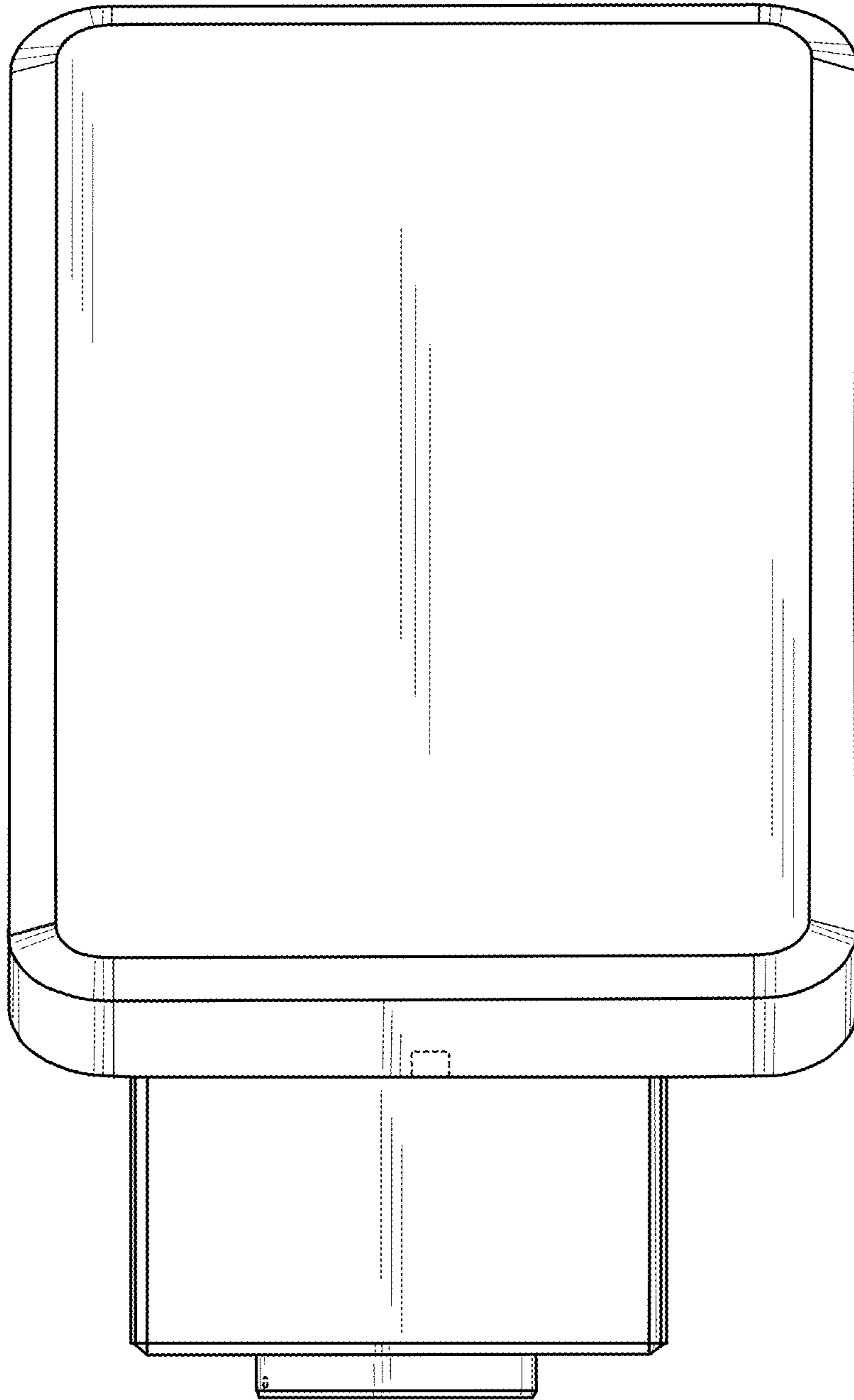


FIG. 2

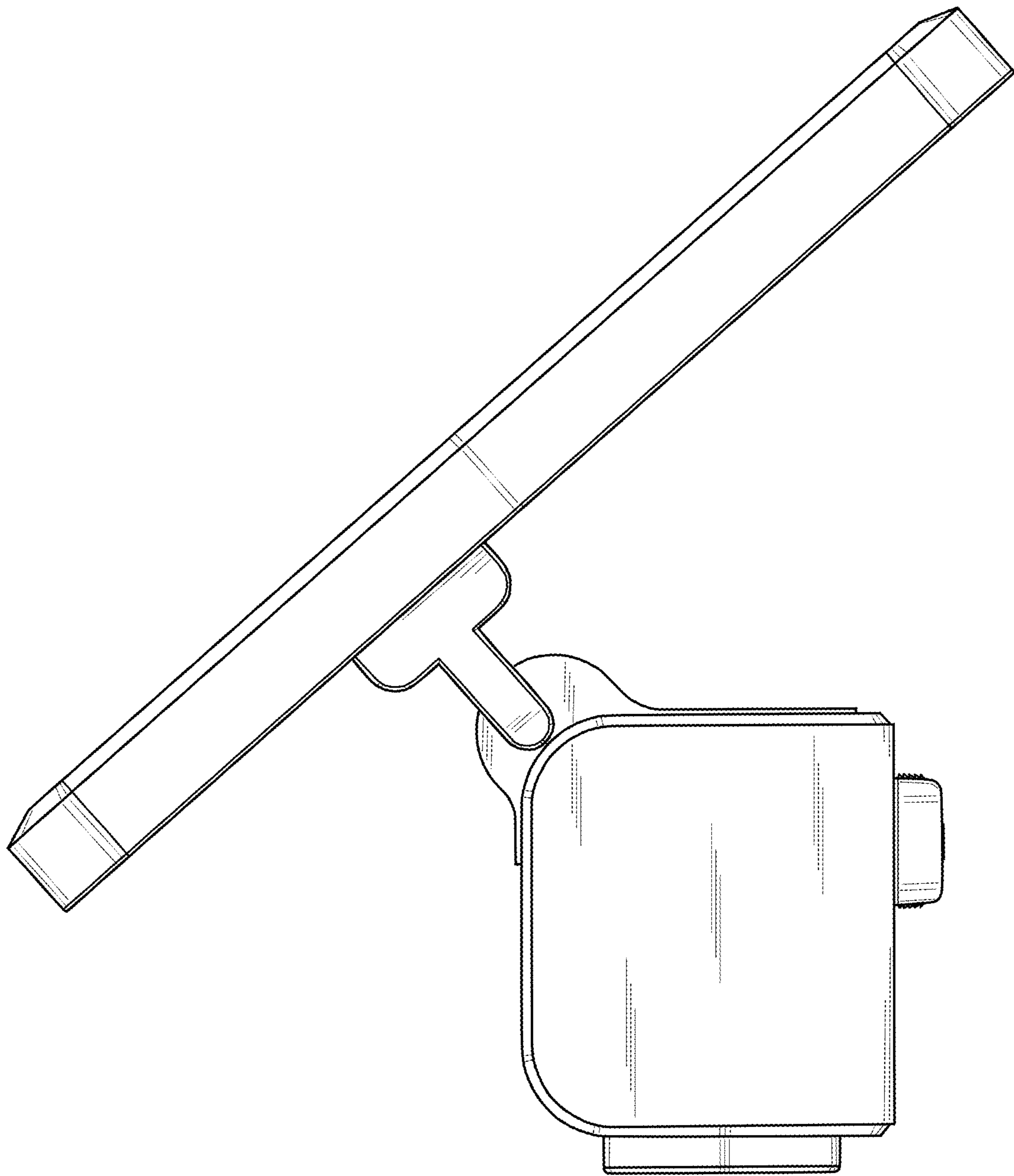


FIG. 3

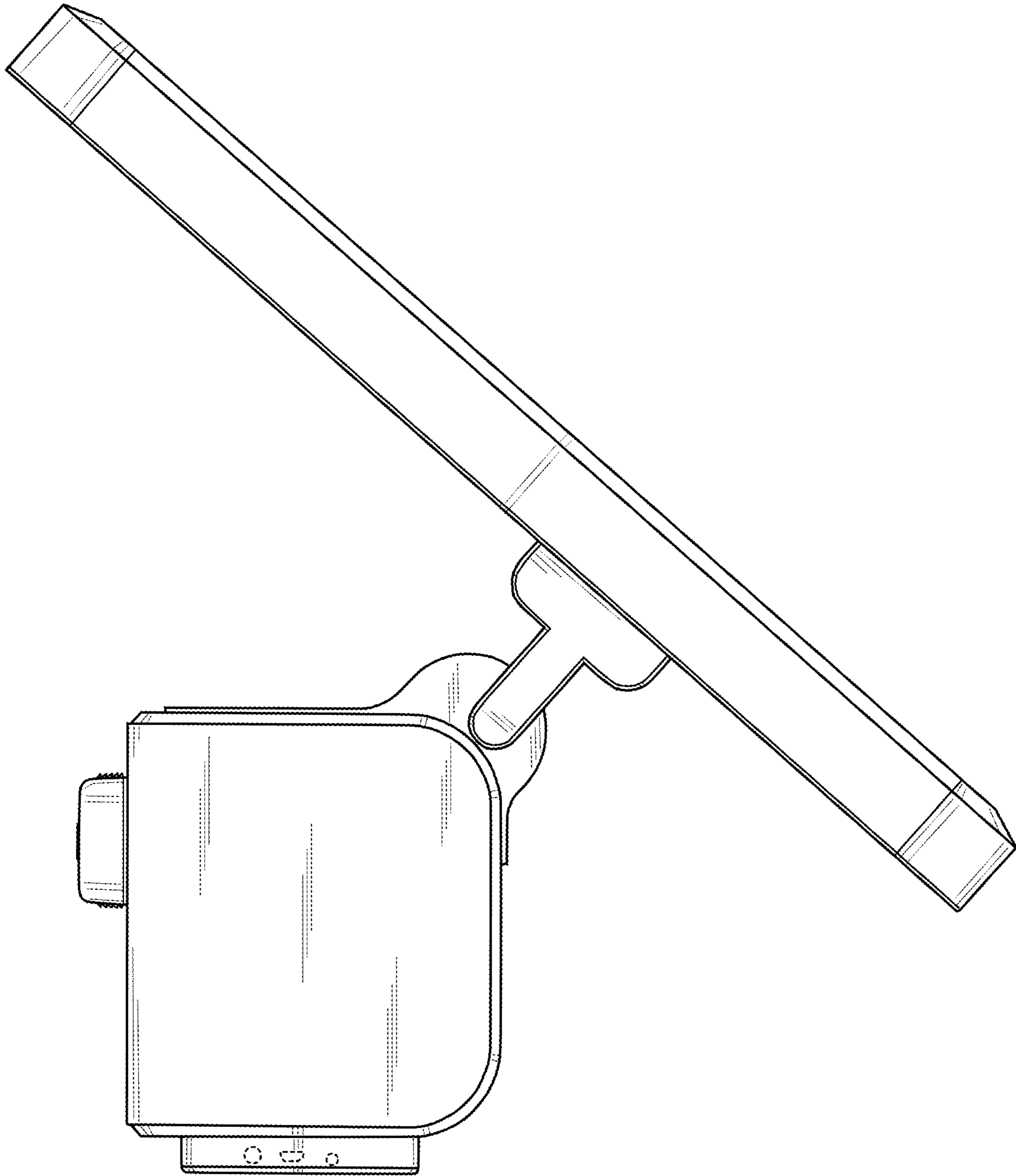


FIG. 4

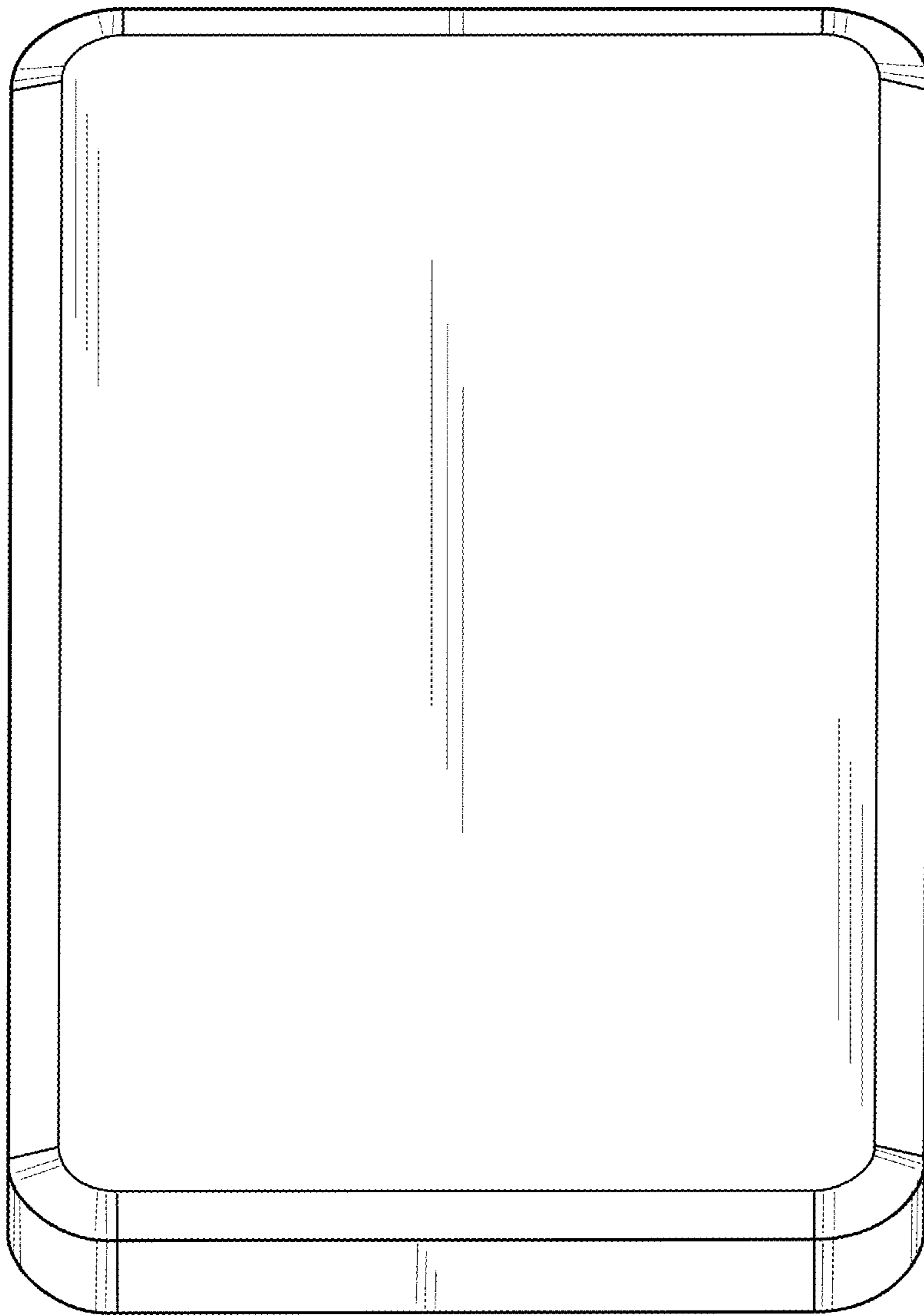


FIG. 5

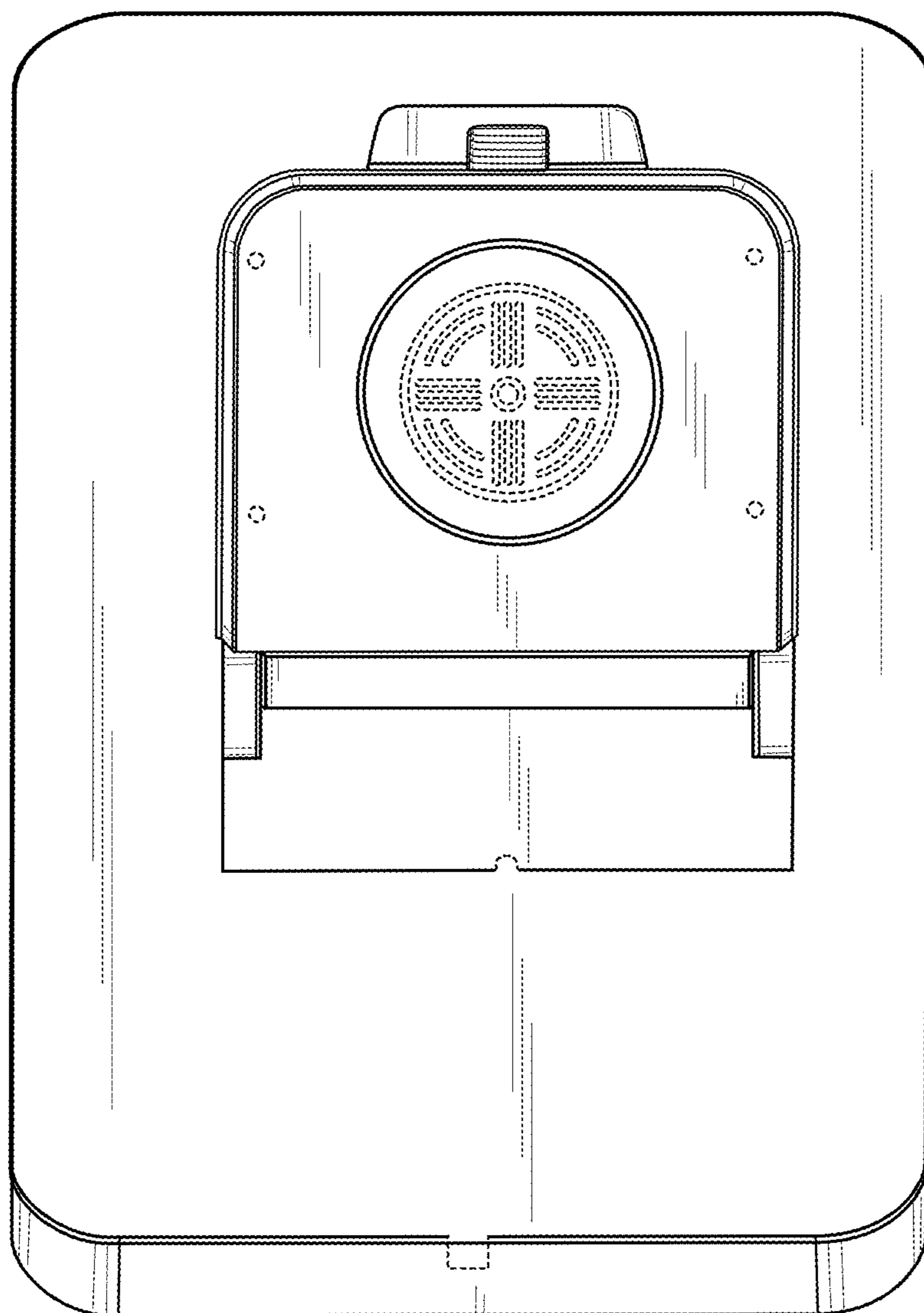


FIG. 6

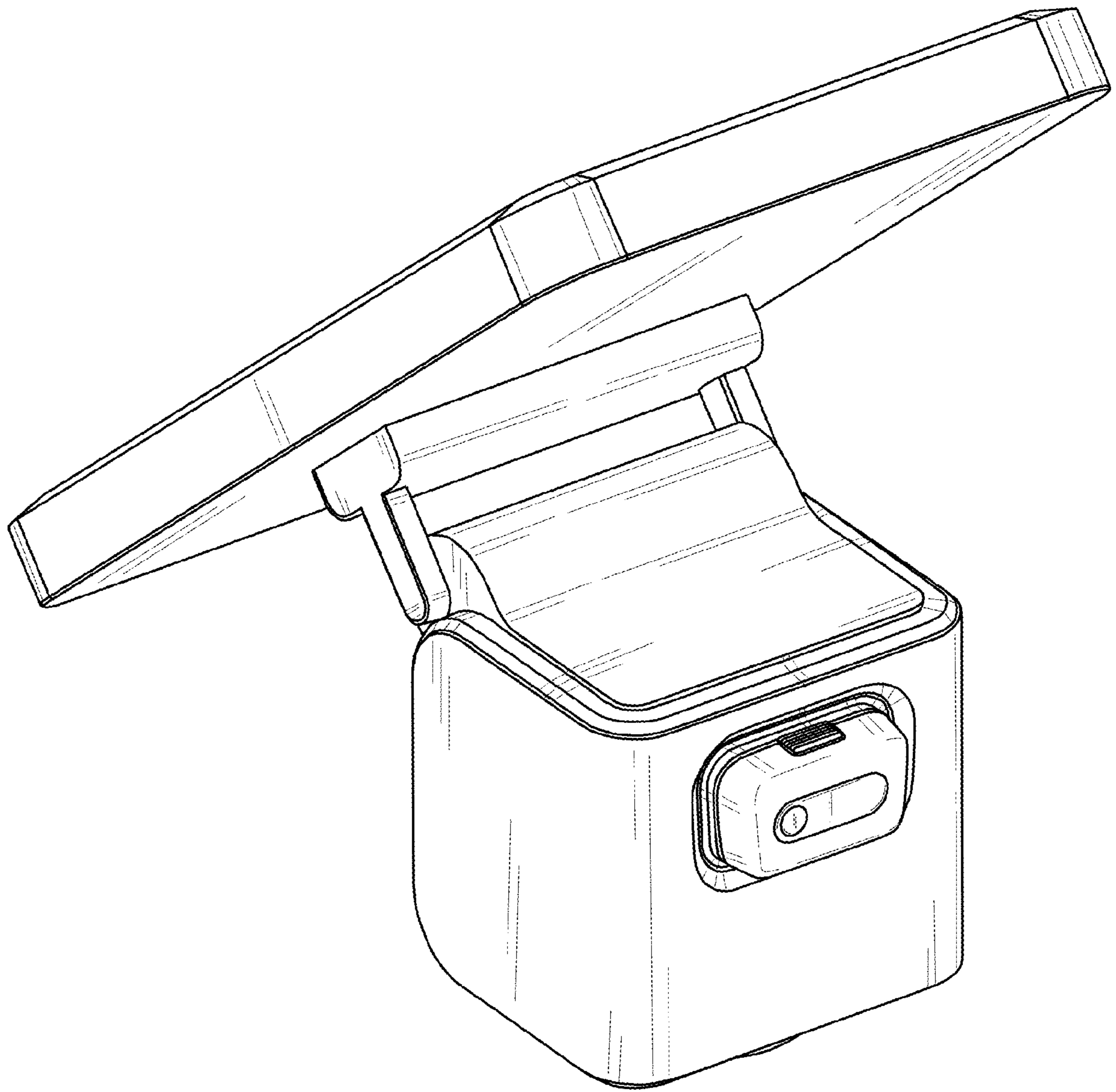


FIG. 7