



US00D916060S

(12) **United States Design Patent**
Brown

(10) **Patent No.:** **US D916,060 S**

(45) **Date of Patent:** **** Apr. 13, 2021**

(54) **MICROPHONE**

(71) Applicant: **David Arthur Brown**, Barcelona (ES)

(72) Inventor: **David Arthur Brown**, Barcelona (ES)

(**) Term: **15 Years**

(21) Appl. No.: **29/709,681**

(22) Filed: **Oct. 16, 2019**

(51) **LOC (13) Cl.** **14-01**

(52) **U.S. Cl.**
USPC **D14/227**

(58) **Field of Classification Search**
USPC D14/227, 226, 225, 228, 229, 211;
D10/2; D21/483; D26/63; 248/188.7,
248/185.1, 188.5

CPC H04R 25/00; H04R 19/04; H04R 1/1908;
H04R 1/02; H04R 1/083; A47B 85/00
See application file for complete search history.

(56) **References Cited**

U.S. PATENT DOCUMENTS

- 2,486,457 A * 11/1949 Anitole A47F 7/02
312/119
- D222,072 S * 9/1971 Levitt D14/211
- 4,383,487 A * 5/1983 Fitzner A47F 5/04
108/150
- D296,829 S * 7/1988 Peppers D26/63
- D300,924 S * 5/1989 Mauch D14/225
- D302,594 S * 8/1989 Charet D26/60
- D318,019 S * 7/1991 van Lelyveld D10/18
- 5,108,062 A * 4/1992 Detwiler F16M 11/10
16/342
- 5,621,846 A * 4/1997 Smith F24C 7/065
248/324
- D485,825 S * 1/2004 Yoneda D14/215
- D492,809 S * 7/2004 Weitgasser D26/76
- D533,082 S * 12/2006 Geringer D10/2
- D576,330 S * 9/2008 Ruud D26/71

- D594,855 S * 6/2009 Metlen D14/225
- D605,637 S * 12/2009 Sank D14/225
- D644,211 S * 8/2011 Hao D14/219
- D645,184 S * 9/2011 Zhan D26/63
- D723,513 S * 3/2015 Corval D14/210
- D799,094 S * 10/2017 Li D26/63
- D826,908 S * 8/2018 Stillerman D14/227
- D899,407 S * 10/2020 Mai D14/227
- 2014/0064538 A1 * 3/2014 Ludlum H04R 1/02
381/334

FOREIGN PATENT DOCUMENTS

CN 306085559 * 10/2020

* cited by examiner

Primary Examiner — Paula Allen Greene

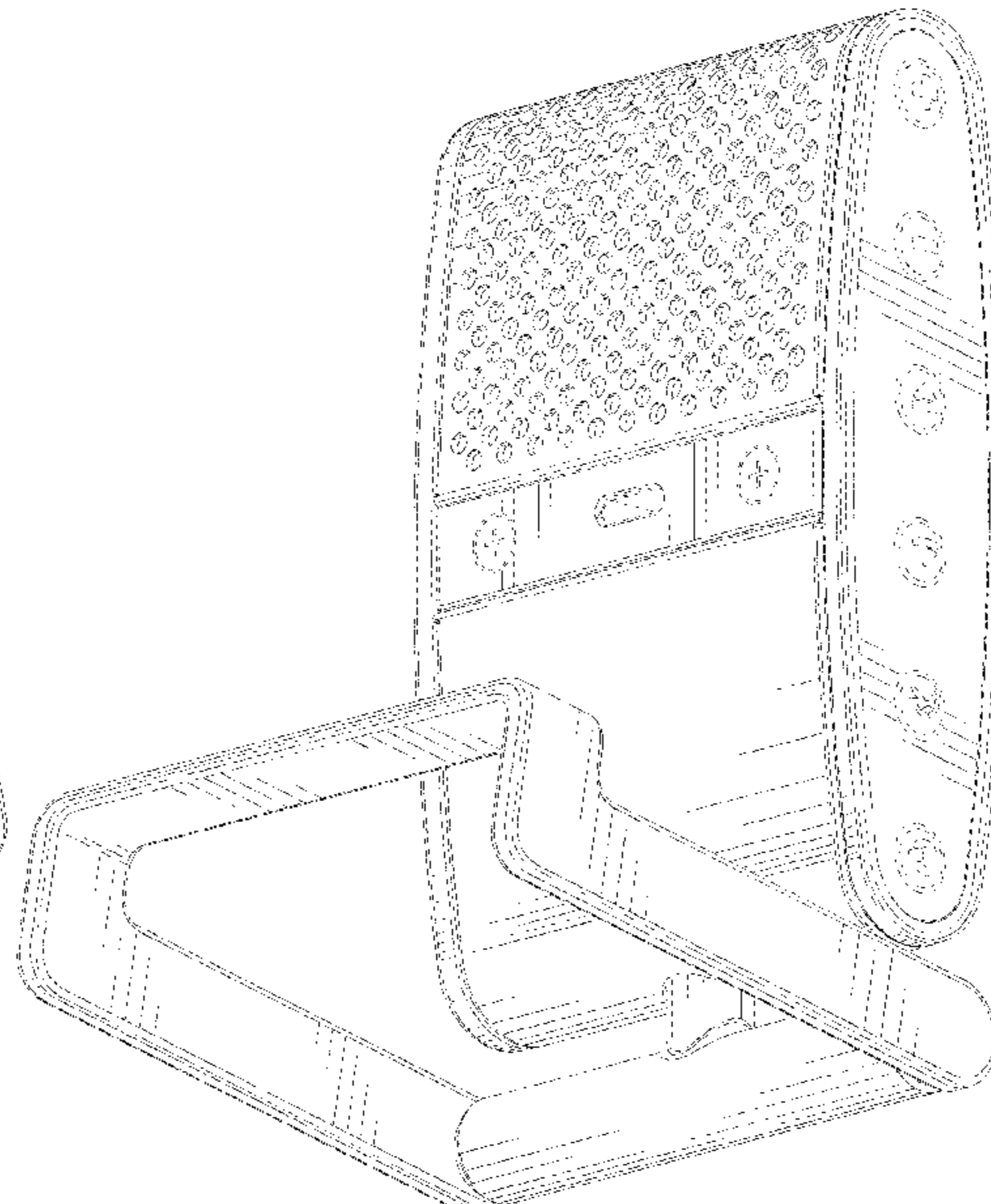
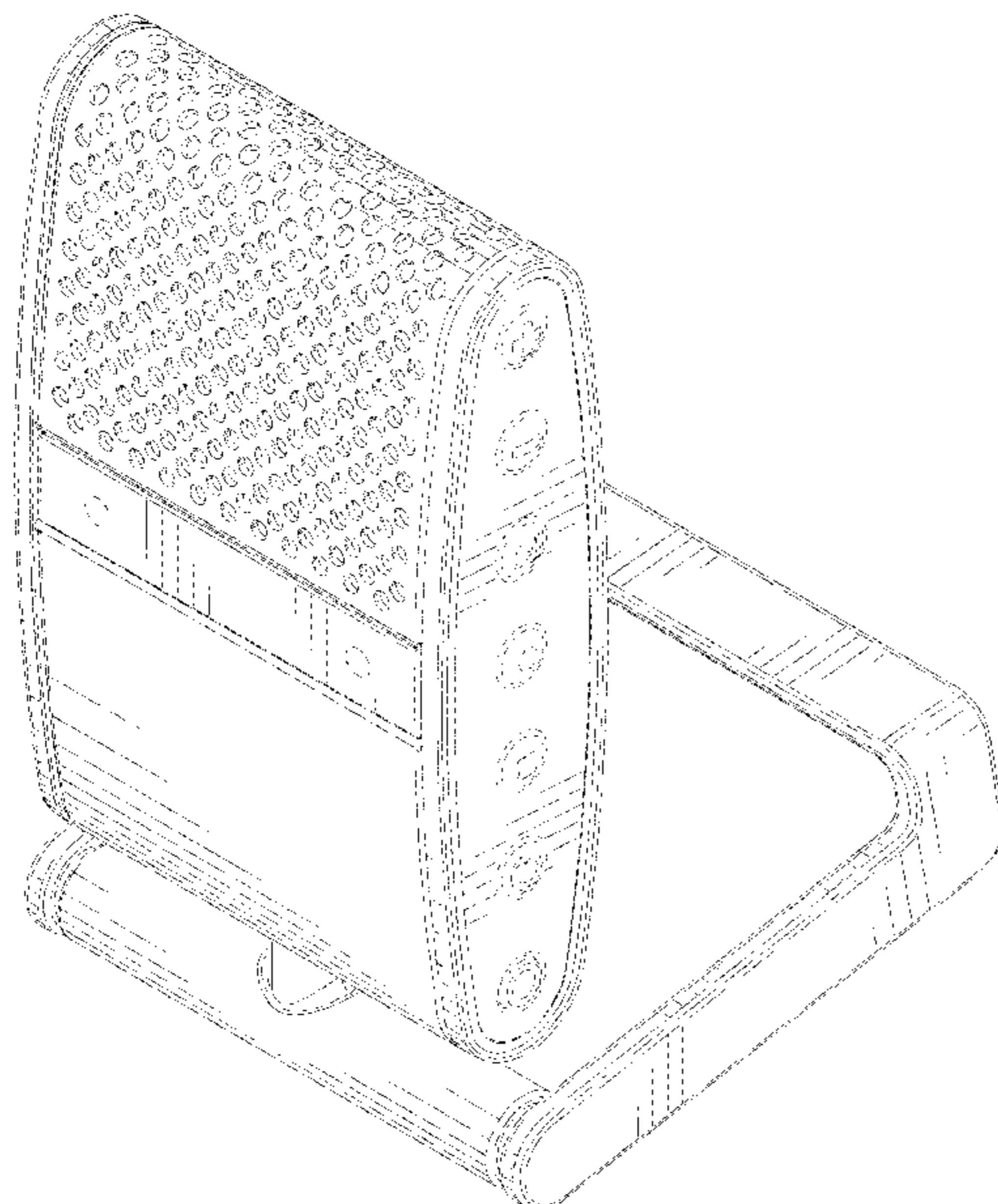
(57) **CLAIM**

The ornamental design for a microphone, as shown and described.

DESCRIPTION

FIG. 1 is a front perspective view of a microphone, wherein a stand is in an unfolded position;
 FIG. 2 is a rear perspective view thereof;
 FIG. 3 is a front elevational view thereof;
 FIG. 4 is a rear elevational view thereof;
 FIG. 5 is a top plan view thereof;
 FIG. 6 is a bottom plan view thereof;
 FIG. 7 is a left-side elevational view thereof;
 FIG. 8 is a right-side elevational view thereof; and,
 FIG. 9 is alternative configuration for a front perspective view thereof, wherein a stand is in a folded position.
 The broken line showing of buttons in FIGS. 1, 2, 7, 8, and 9 and the broken line showing of attachment screws in FIG. 1-4 are included for the purpose of showing environmental structure and forms no part of the claimed design.

1 Claim, 9 Drawing Sheets



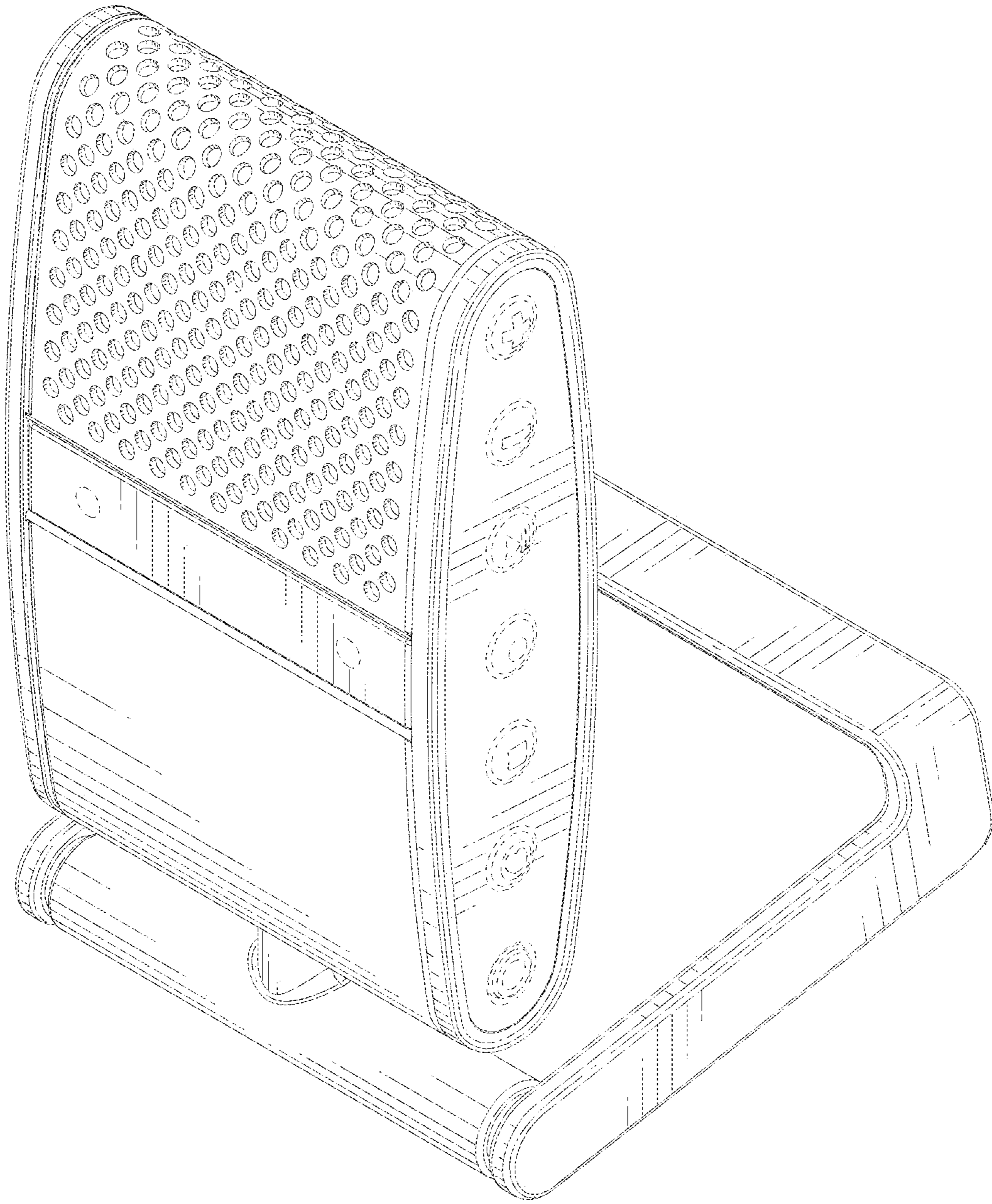


FIG. 1

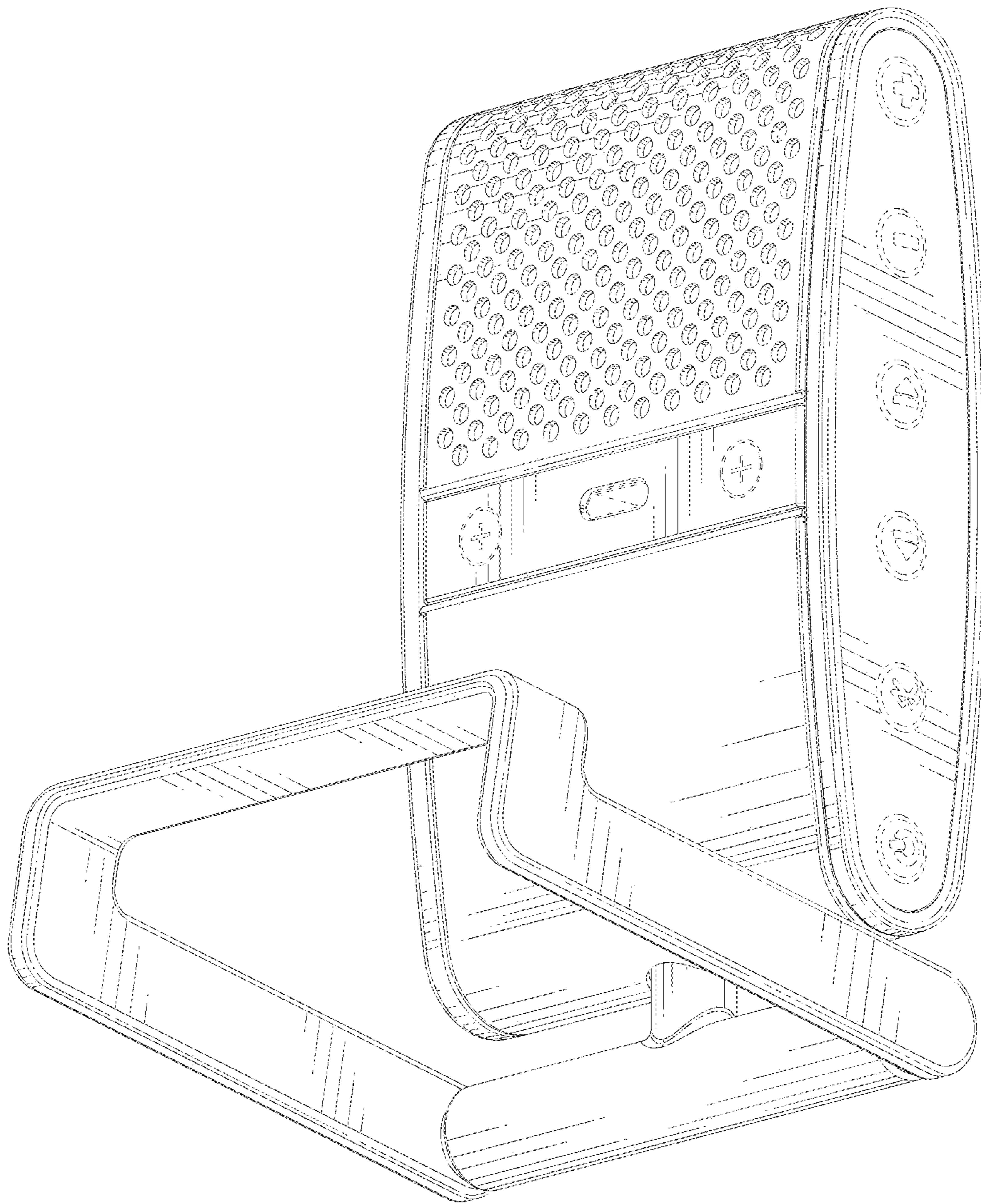


FIG. 2

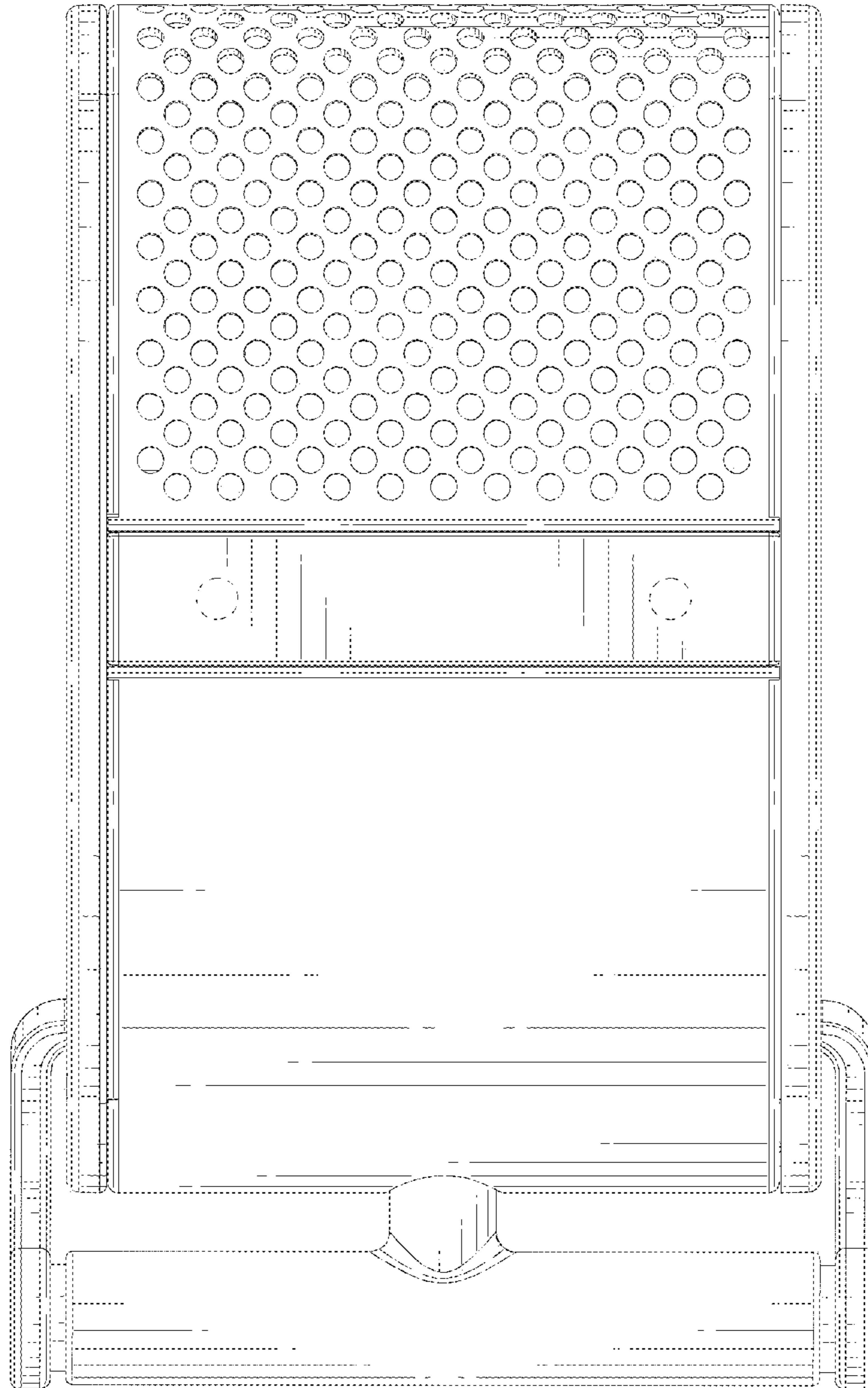


FIG. 3

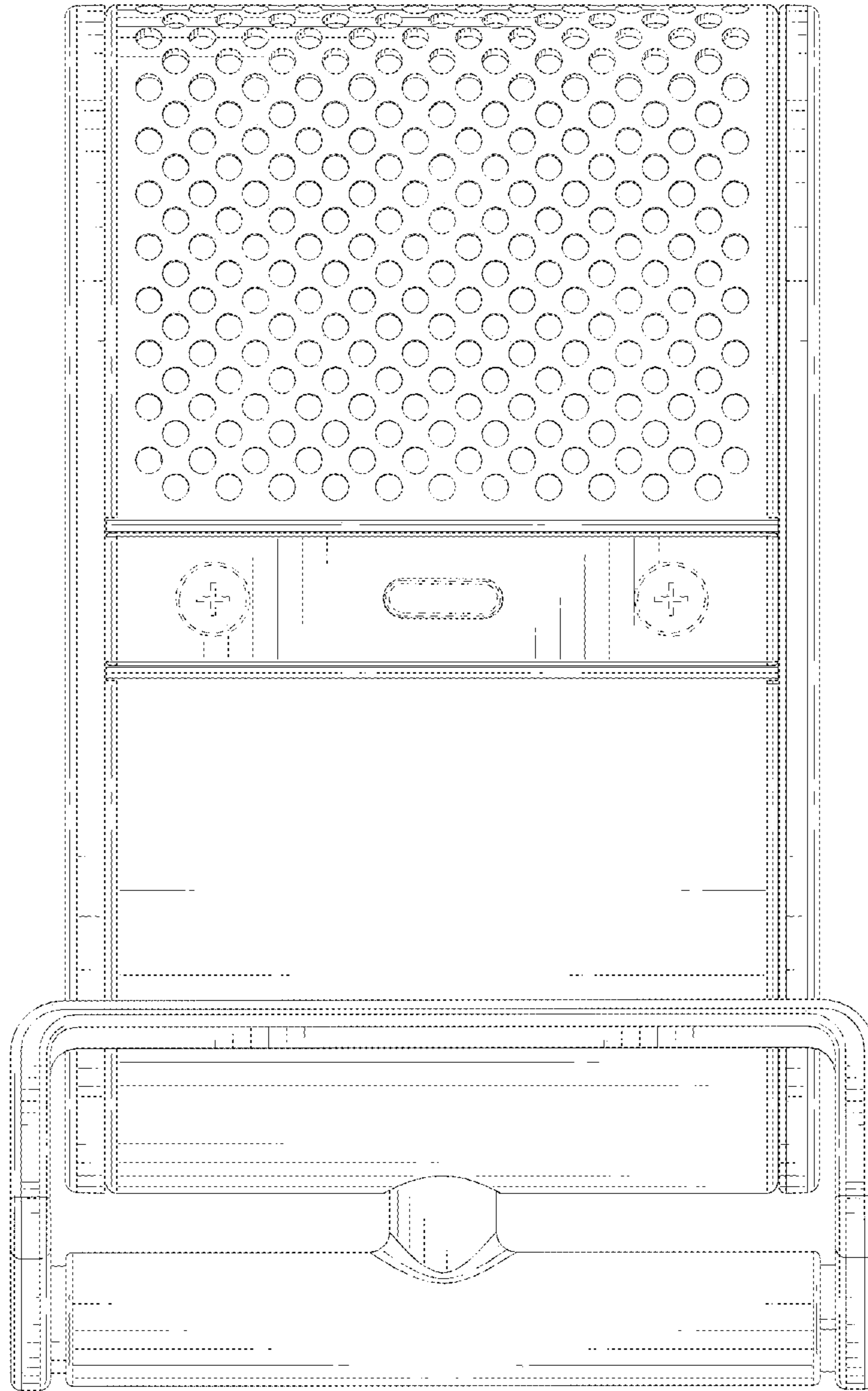


FIG. 4

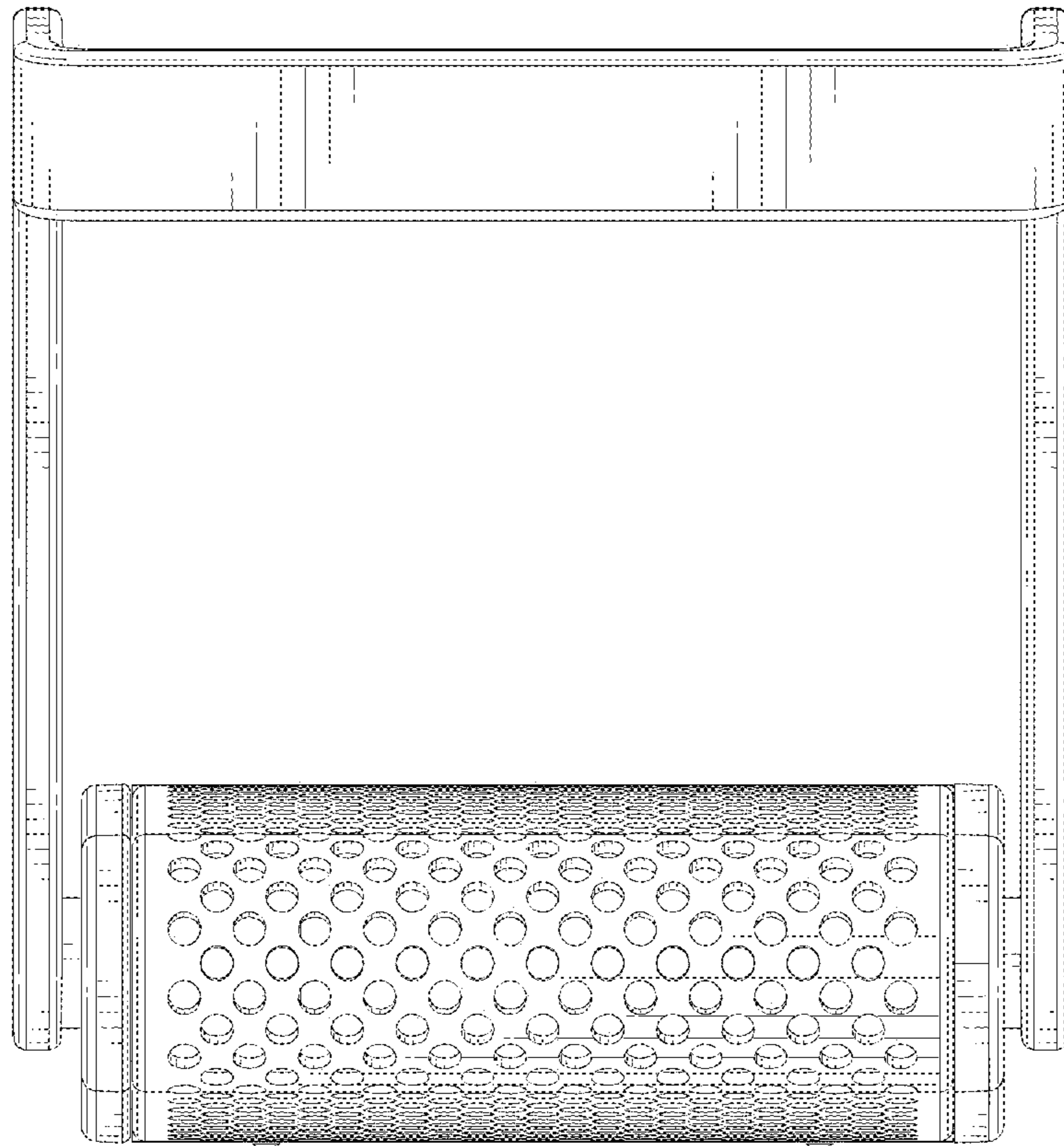


FIG. 5

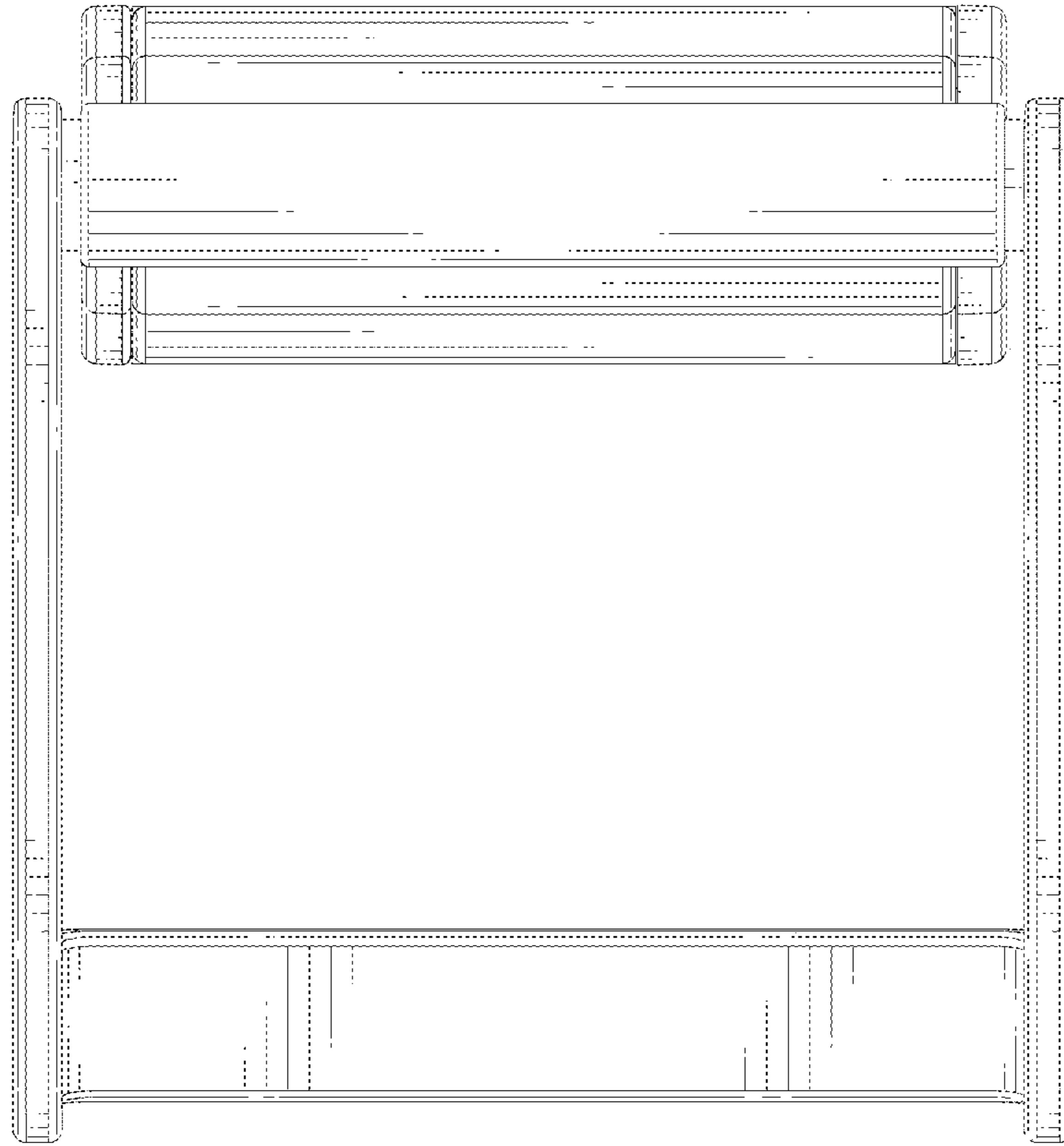


FIG. 6

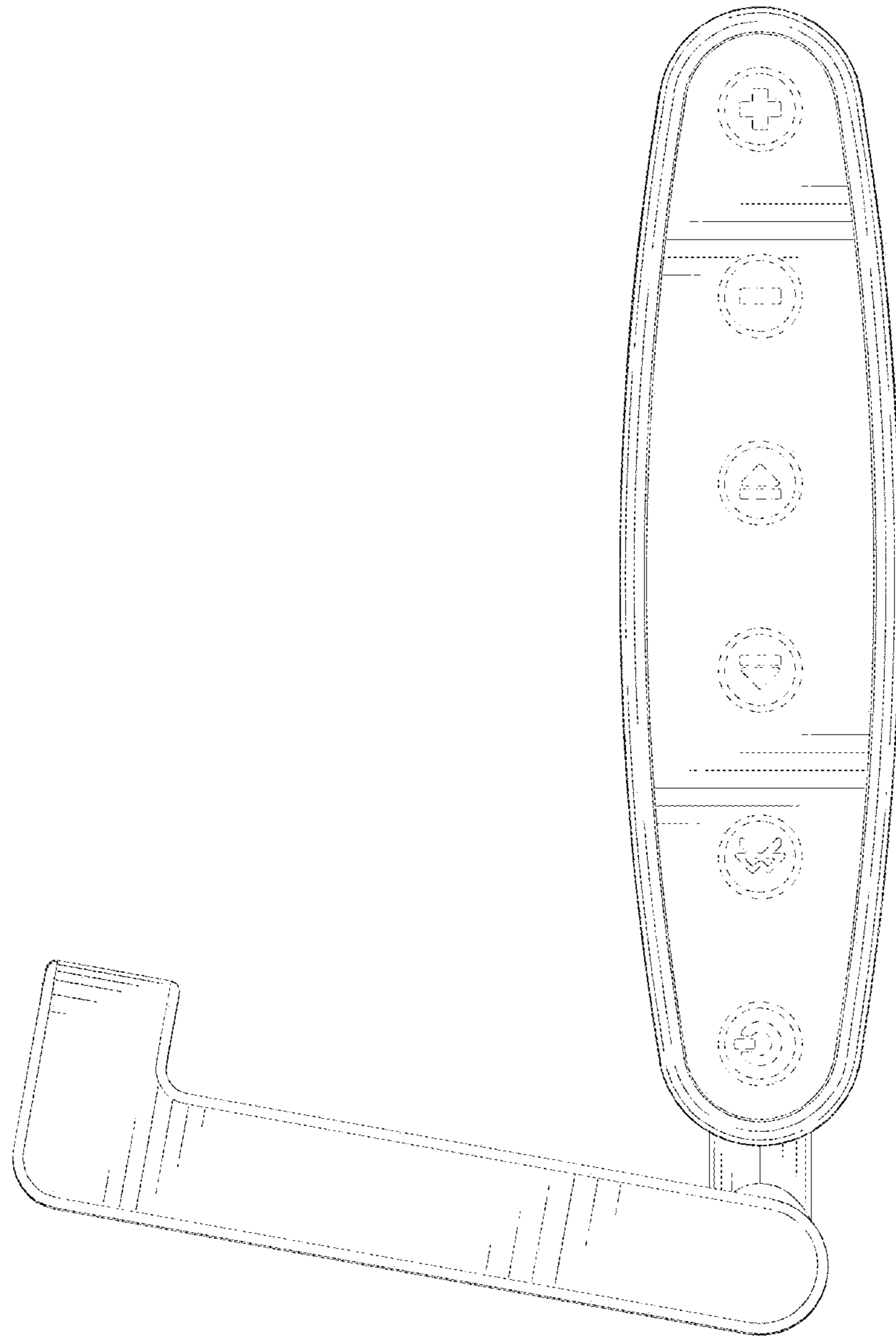


FIG. 7

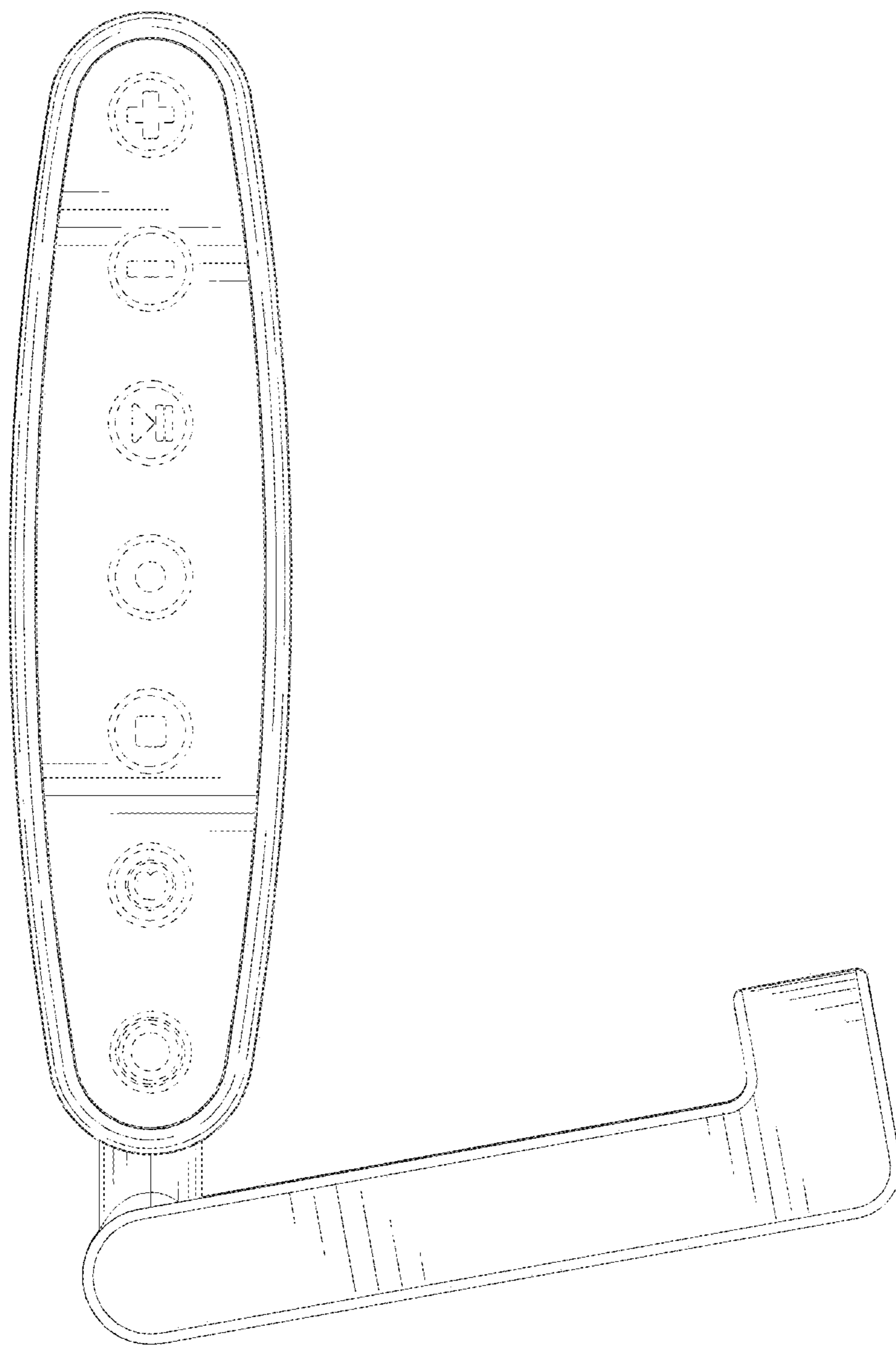


FIG. 8

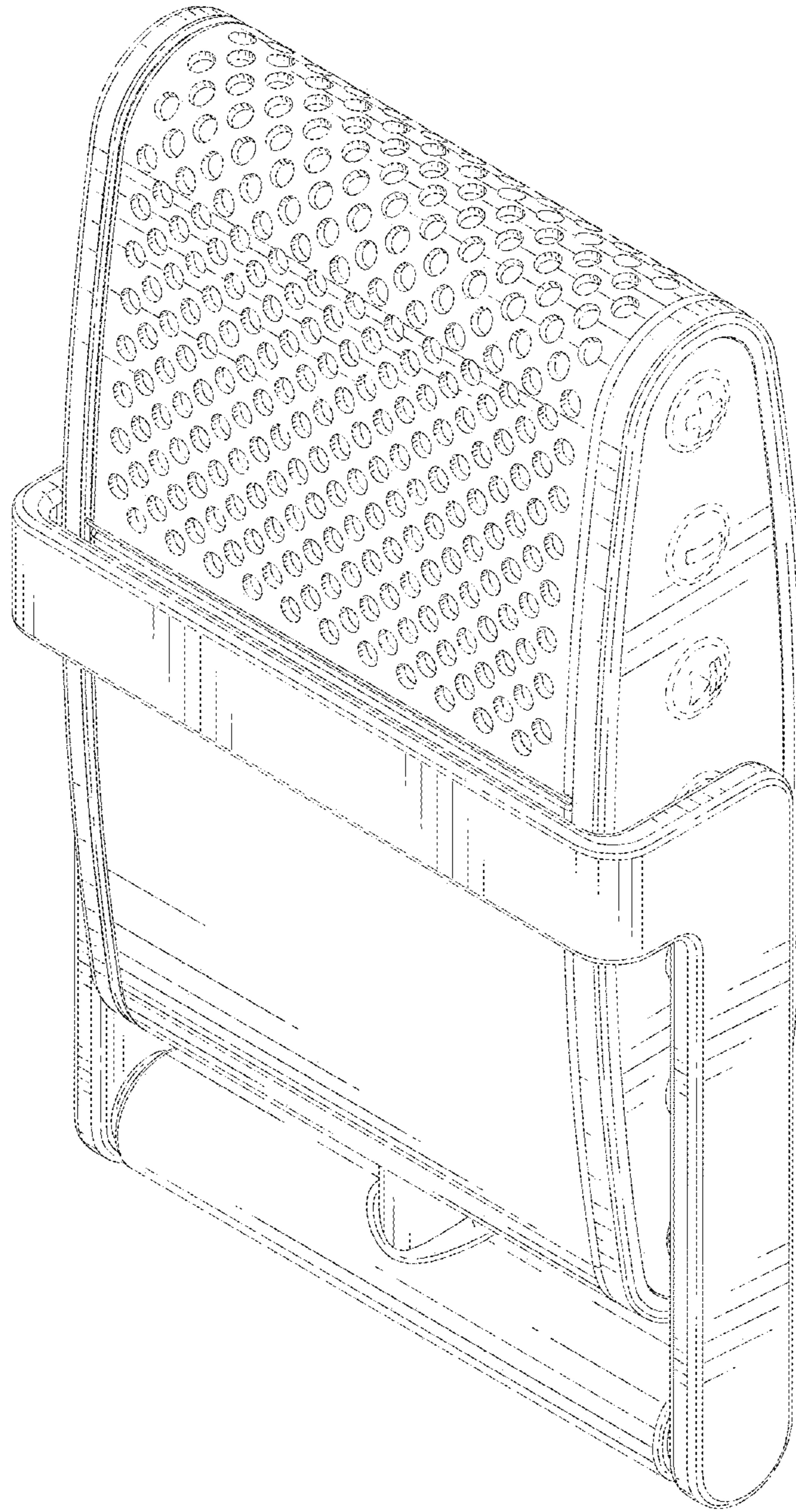


FIG. 9