

US00D916058S

(12) **United States Design Patent** (10) **Patent No.:** **US D916,058 S**
Wu (45) **Date of Patent:** **** Apr. 13, 2021**

(54) **EARPHONE**
(71) Applicant: **SHENZHEN XINZHENG YU TECHNOLOGY CO., LTD**, Shenzhen (CN)
(72) Inventor: **Junhua Wu**, Shenzhen (CN)
(73) Assignee: **SHENZHEN XINZHENG YU TECHNOLOGY CO., LTD.**, Shenzhen (CN)

D733,101 S * 6/2015 Pi D14/223
D735,699 S * 8/2015 Yasuda D14/223
D742,860 S * 11/2015 Miyake D14/223
D746,792 S * 1/2016 Kim D14/205
D757,682 S * 5/2016 Perez D14/205
D762,196 S * 7/2016 Hsieh D14/223
D762,616 S * 8/2016 Hsieh D14/205
D773,435 S * 12/2016 Ott D14/205
D775,108 S * 12/2016 Hsieh D14/223
D784,298 S * 4/2017 Ozawa D14/223
D784,962 S * 4/2017 Yang D14/223
D800,097 S 10/2017 Chen
D801,314 S * 10/2017 Akana D14/223

(**) Term: **15 Years**

(Continued)

(21) Appl. No.: **29/761,201**
(22) Filed: **Dec. 8, 2020**
(51) **LOC (13) Cl.** **14-01**
(52) **U.S. Cl.**
USPC **D14/223**
(58) **Field of Classification Search**
USPC D14/223, 205; D24/174; 128/864, 865,
128/866; 381/380, 381; 455/90.3, 575.1,
455/569.1
CPC H04R 1/10; H04R 25/00; H04R 25/02;
H04R 1/1066; H04R 1/1016; H04R
5/033; H04R 5/0335; H04R 1/1091
See application file for complete search history.

FOREIGN PATENT DOCUMENTS

EM 008312359-0002 * 12/2020
EM 008320691-0001 * 12/2020
EM 008374482-0001 * 12/2020

Primary Examiner — Paula Allen Greene

(57) **CLAIM**

The ornamental design for an earphone, as shown and described.

DESCRIPTION

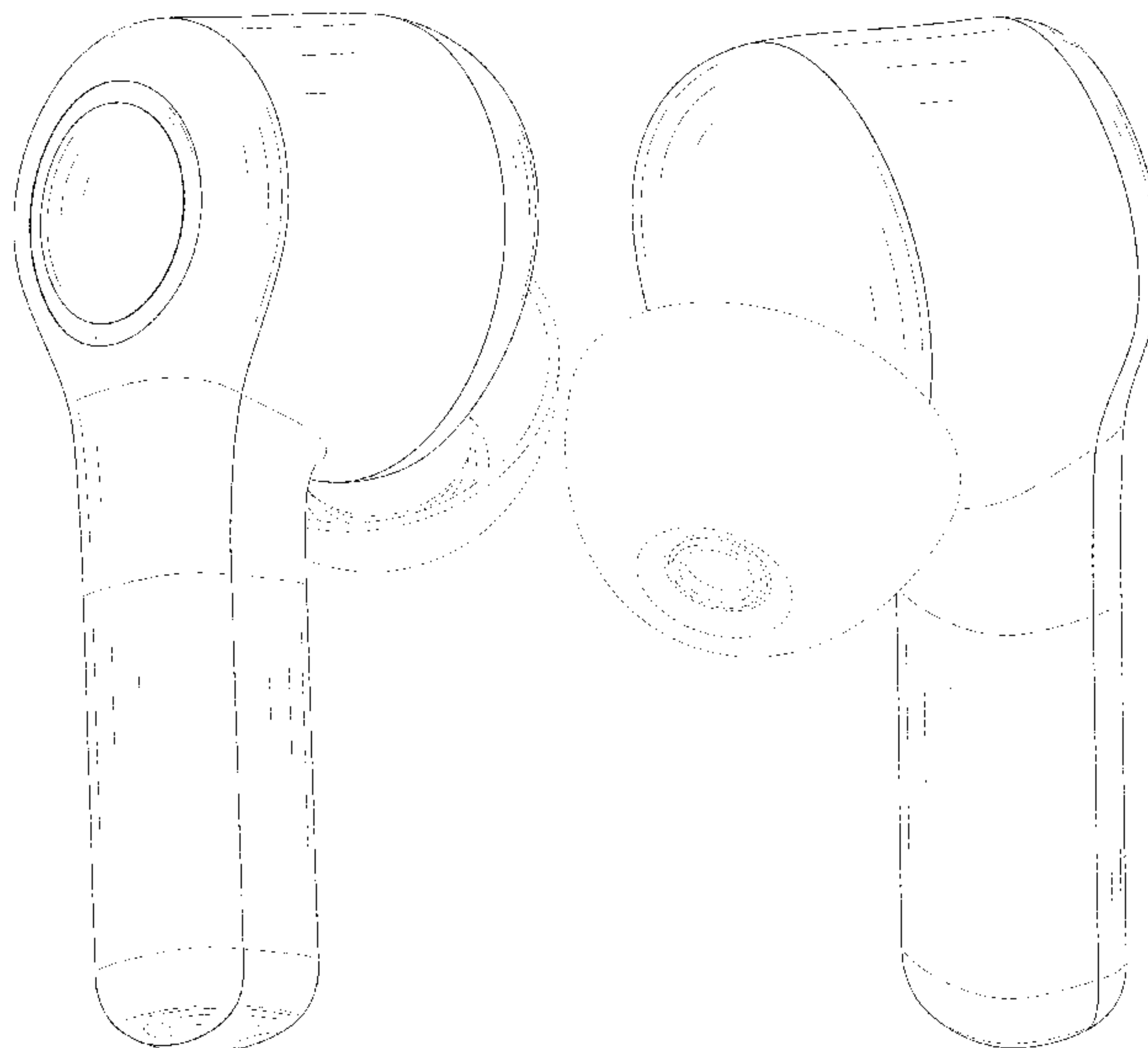
FIG. 1 is a perspective view of an earphone showing my new design;
FIG. 2 is another perspective view thereof;
FIG. 3 is a front elevational view thereof;
FIG. 4 is a rear elevational view thereof;
FIG. 5 is a left side elevational view thereof;
FIG. 6 is a right side elevational view thereof;
FIG. 7 is a top plan view thereof;
FIG. 8 is a bottom plan view thereof; and,
FIG. 9 is a perspective view of the earphone where the earphone is received in a case.
The broken lines in the drawings depict portions of the earphone that form no part of the claimed design.

(56) **References Cited**

U.S. PATENT DOCUMENTS

5,410,608 A * 4/1995 Lucey H04R 1/083
381/360
8,712,087 B2 * 4/2014 Ozawa H04R 1/1016
381/380
8,831,266 B1 * 9/2014 Huang H04R 1/2811
381/380
D718,284 S * 11/2014 Shibusawa D14/223
D718,286 S * 11/2014 Yang D14/223
D719,548 S * 12/2014 Thompson D14/223
9,042,588 B2 * 5/2015 Aase H04R 1/1041
381/380

1 Claim, 9 Drawing Sheets



(56)

References Cited

U.S. PATENT DOCUMENTS

D802,562 S * 11/2017 Baba D14/223
 D803,184 S * 11/2017 Loh Jun Kern D14/205
 D813,844 S * 3/2018 Stiff D14/223
 D815,069 S 4/2018 Xiong
 D820,809 S * 6/2018 Akana D14/205
 D822,009 S * 7/2018 Matoba D14/223
 D829,193 S * 9/2018 Cai D14/223
 D830,336 S * 10/2018 Cai D14/205
 D830,345 S * 10/2018 Cai D14/223
 D831,619 S * 10/2018 Matoba D14/223
 D832,823 S * 11/2018 Xiao D14/223
 D847,125 S * 4/2019 Akana D14/223
 D847,794 S * 5/2019 Guo D14/223
 D848,980 S * 5/2019 Kim D14/223
 D848,982 S * 5/2019 Kim D14/223
 D853,995 S * 7/2019 Cai D14/223
 D861,647 S * 10/2019 Chen D14/223
 D864,165 S * 10/2019 Roberts D14/223
 D864,169 S * 10/2019 Min D14/223
 D869,445 S * 12/2019 Hu D14/223
 D877,722 S * 3/2020 Yang D14/223
 D878,337 S * 3/2020 Yang D14/223

D883,260 S * 5/2020 Hu D14/223
 D883,960 S * 5/2020 Du D14/223
 D884,682 S * 5/2020 Du D14/223
 D885,373 S * 5/2020 Lundback D14/223
 D887,396 S * 6/2020 Wang D14/223
 D888,690 S * 6/2020 Yan D14/223
 D888,691 S * 6/2020 Liu D14/223
 D889,437 S * 7/2020 Ando D14/223
 D890,138 S * 7/2020 Peng D14/223
 D890,724 S * 7/2020 Li D14/223
 D893,462 S * 8/2020 Liu D14/223
 D895,579 S * 9/2020 Yang D14/223
 D895,582 S * 9/2020 Wu D14/223
 D896,206 S * 9/2020 Xu D14/223
 D896,207 S * 9/2020 He D14/223
 D897,997 S * 10/2020 Zhang D14/223
 D897,998 S * 10/2020 Ma D14/223
 D903,639 S * 12/2020 Yang D14/223
 D905,018 S * 12/2020 Zhu D14/223
 D907,008 S * 1/2021 Yao D14/223
 D910,600 S * 2/2021 Zhang D14/223
 2017/0026738 A1 * 1/2017 Tang H04R 1/1091
 2020/0068283 A1 * 2/2020 Chou H04R 1/1025
 2020/0314527 A1 * 10/2020 Guo H04R 1/1041
 2021/0014603 A1 * 1/2021 Wei G06F 3/044

* cited by examiner

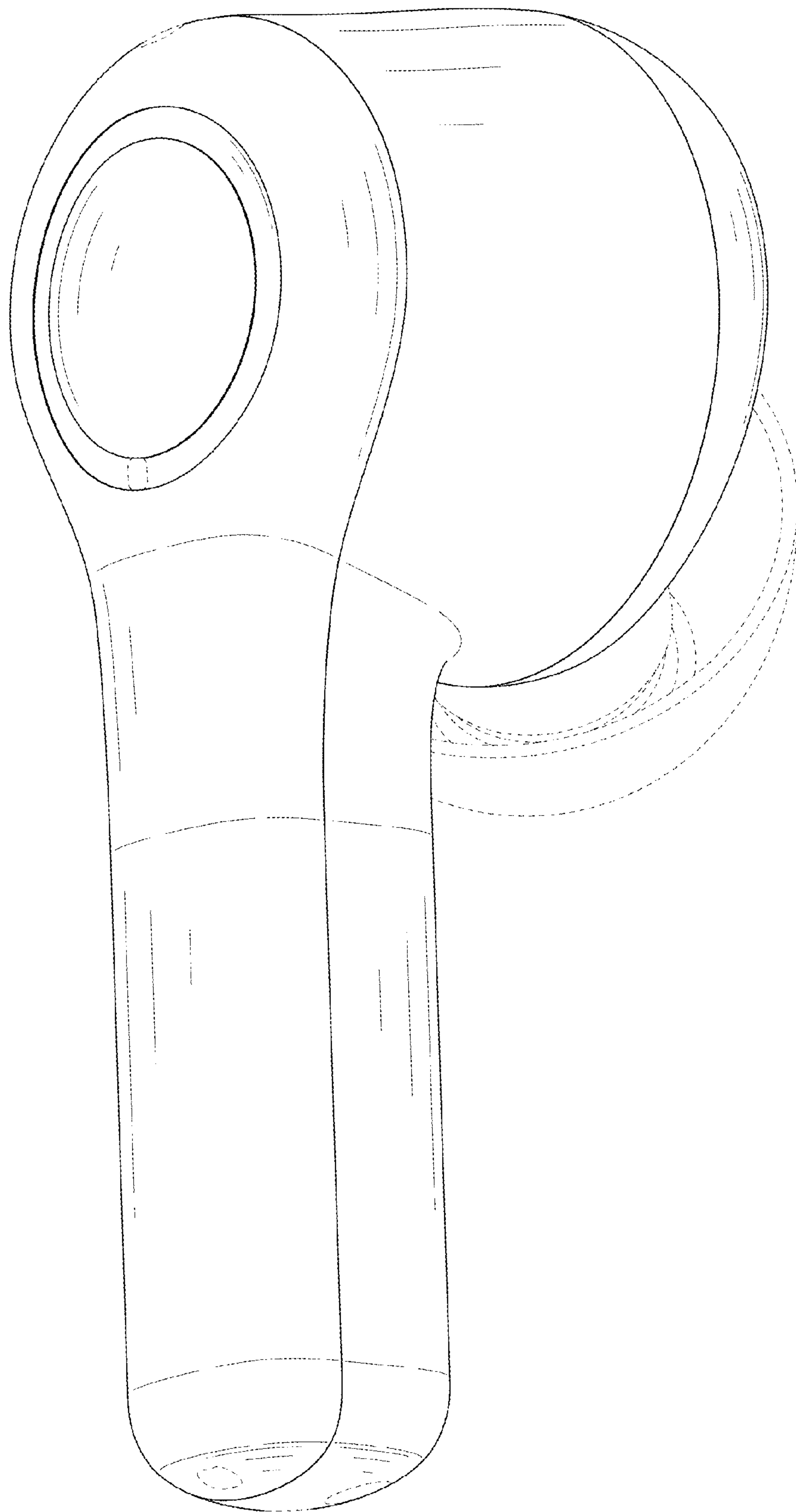


FIG. 1

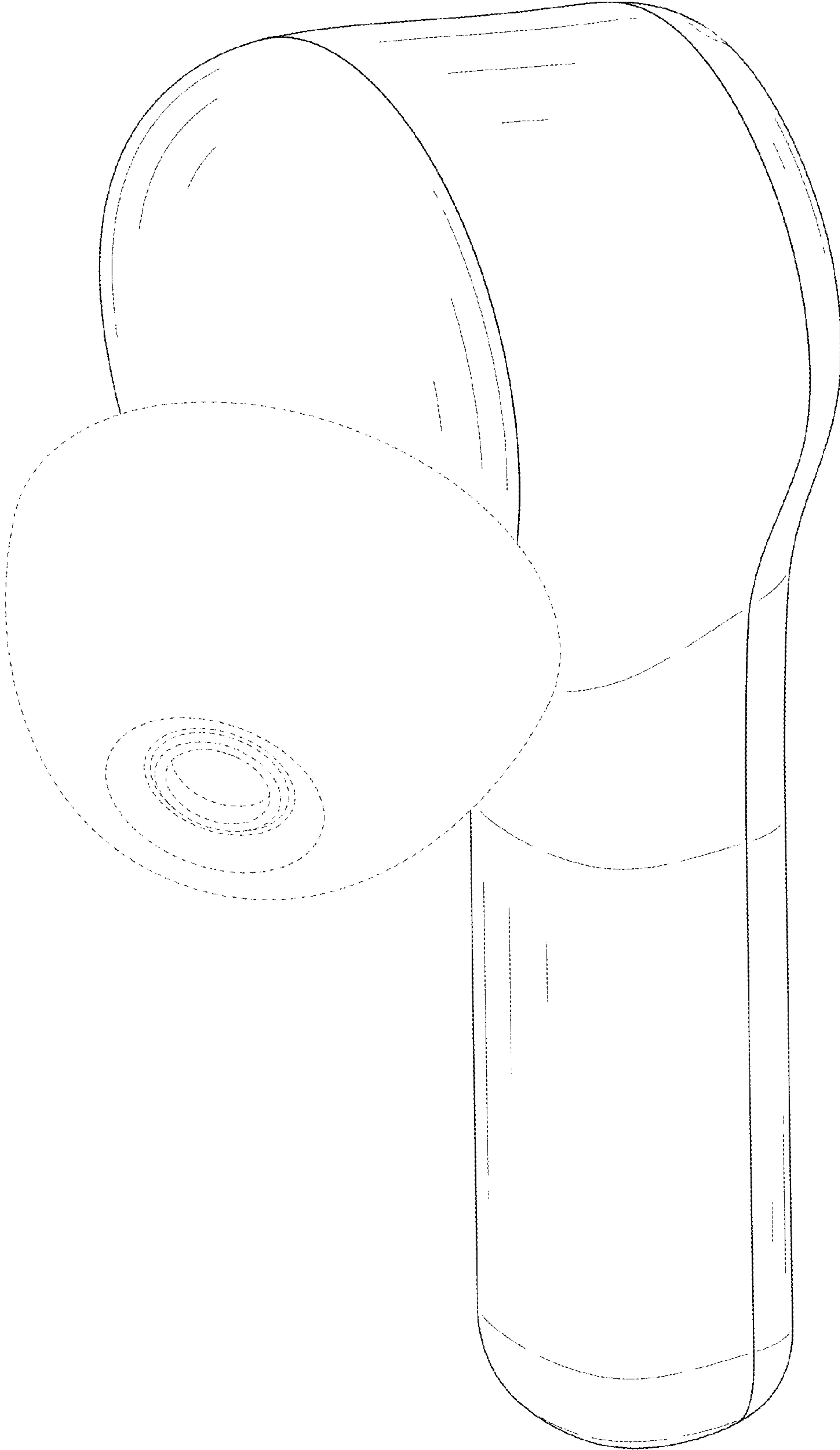


FIG. 2

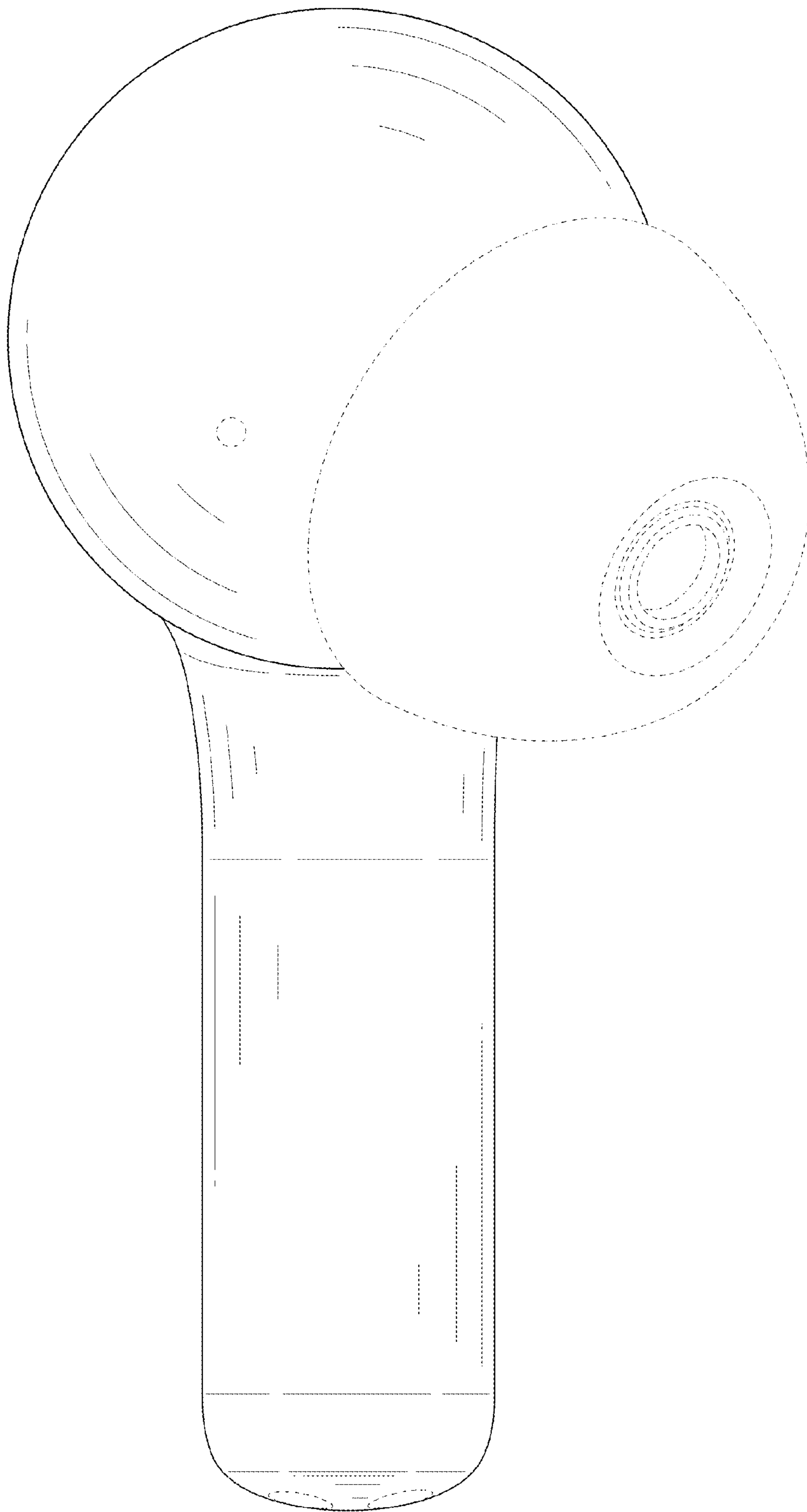


FIG. 3

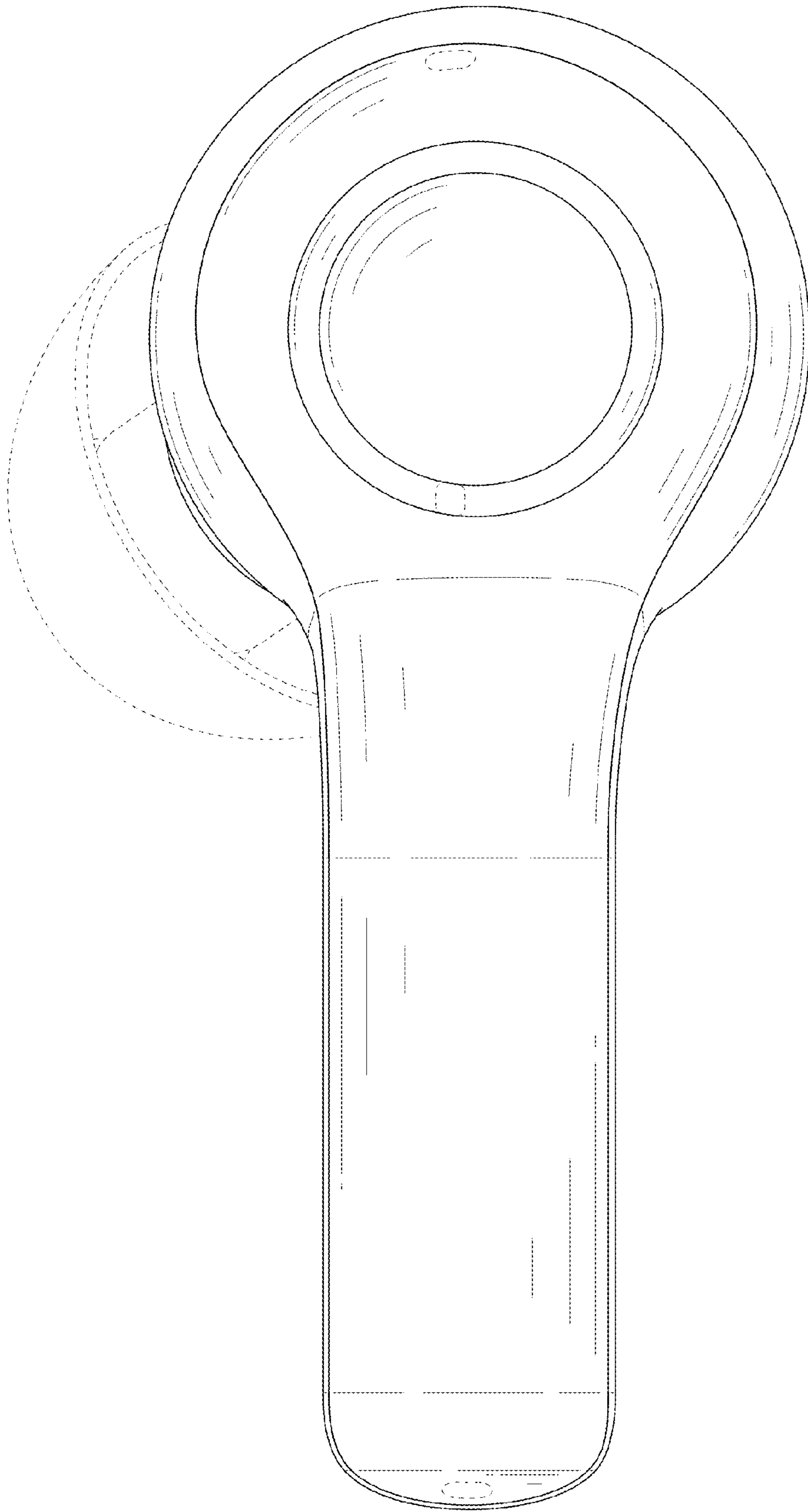


FIG. 4

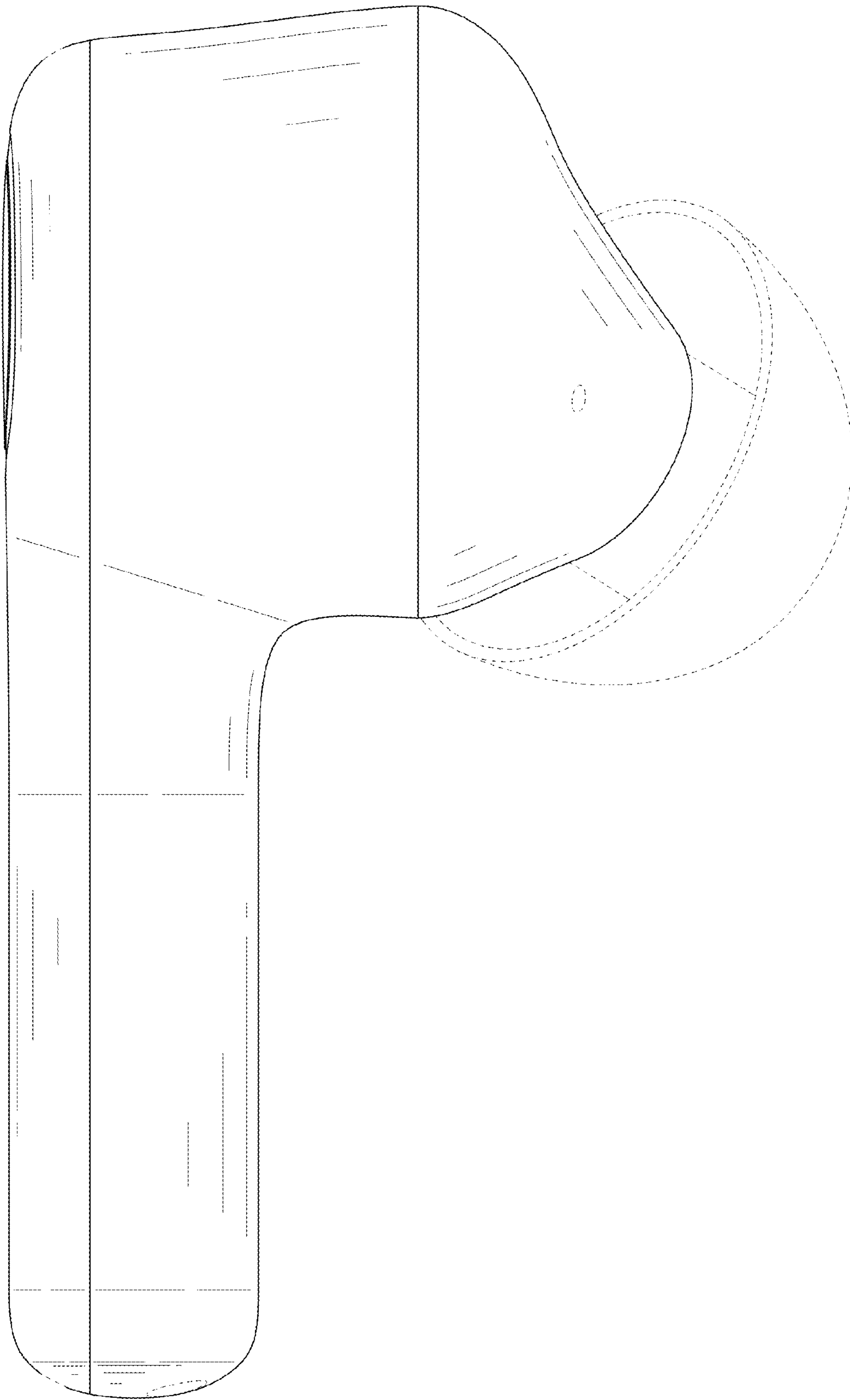


FIG. 5

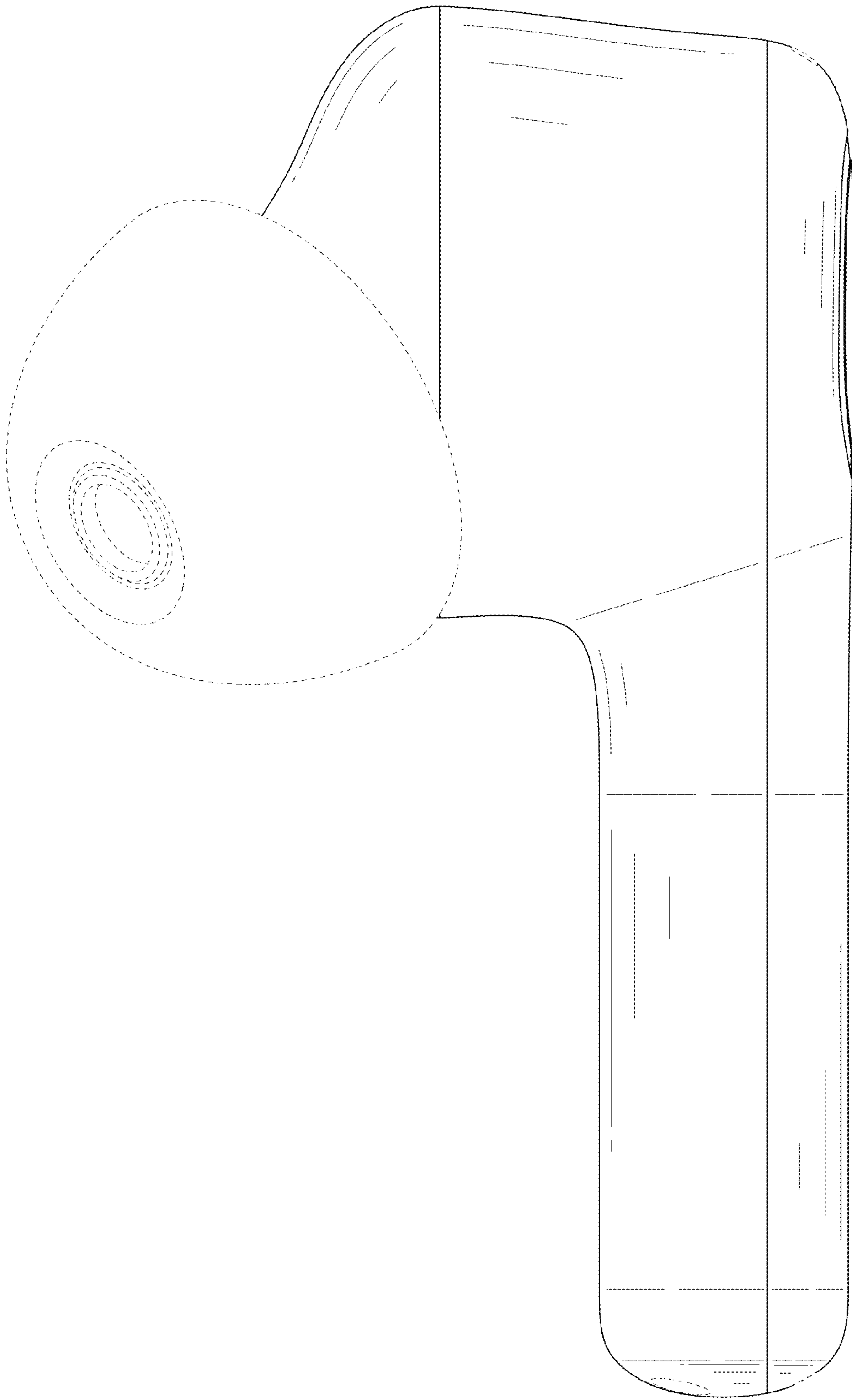


FIG. 6

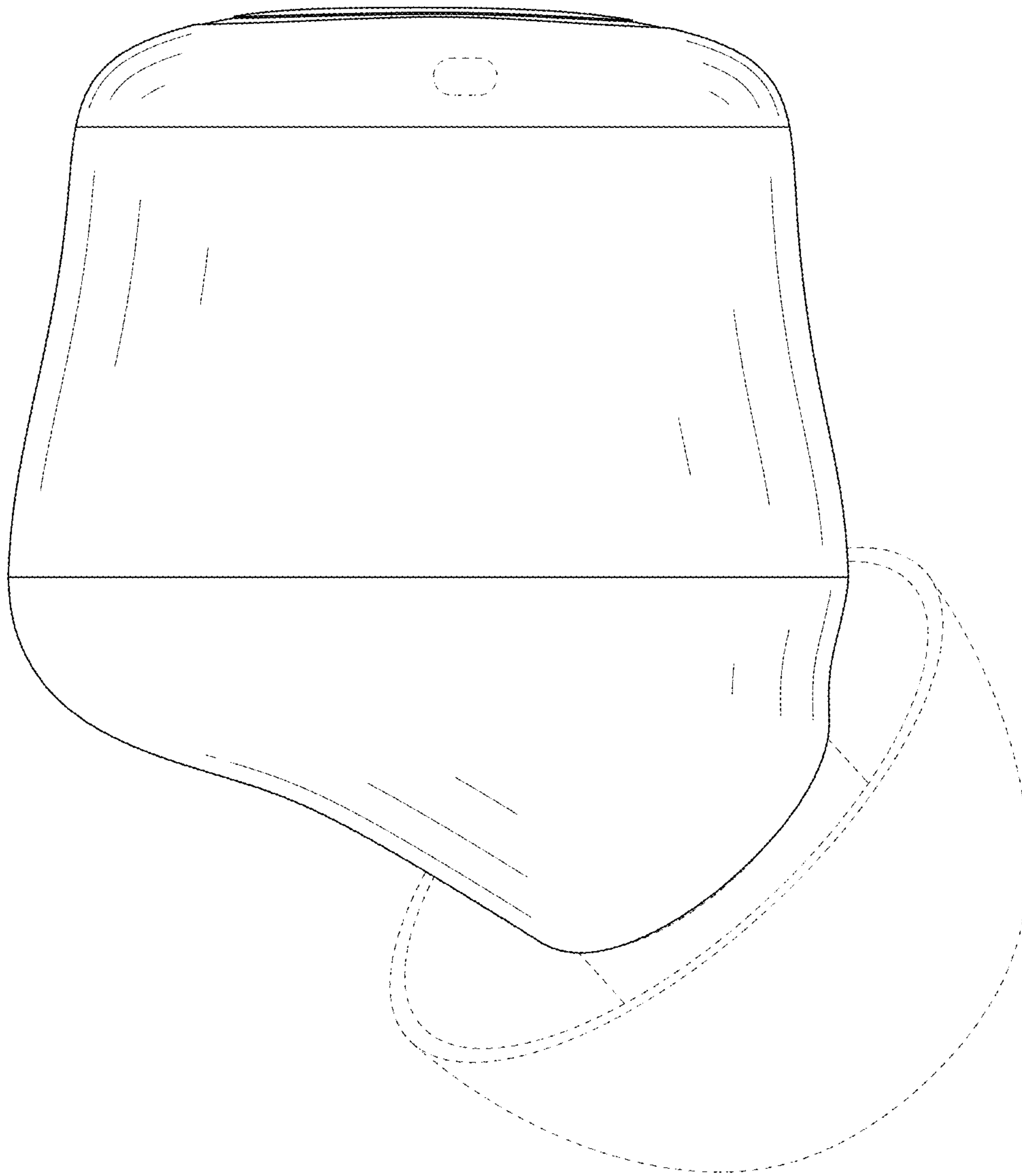


FIG. 7

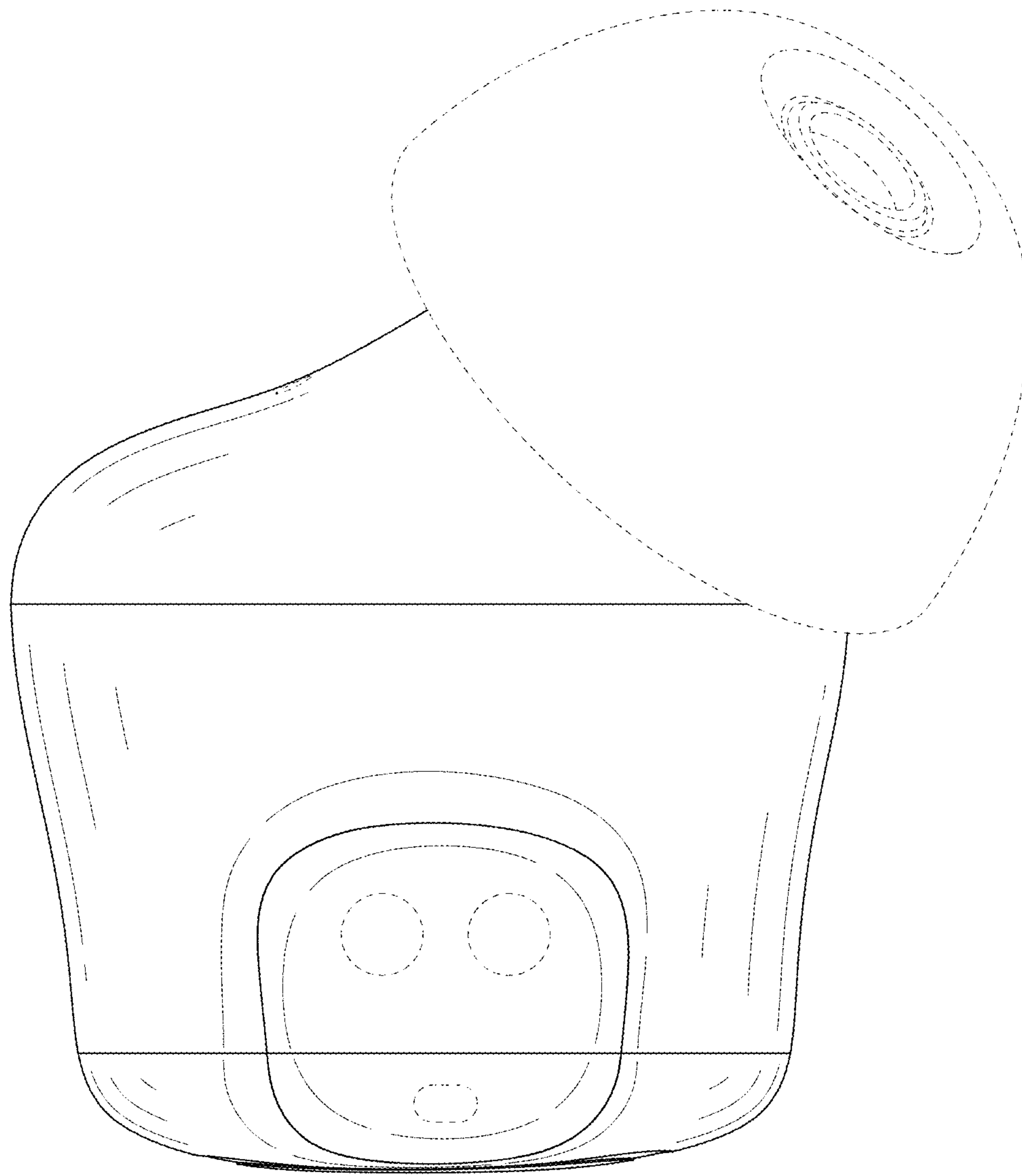


FIG. 8

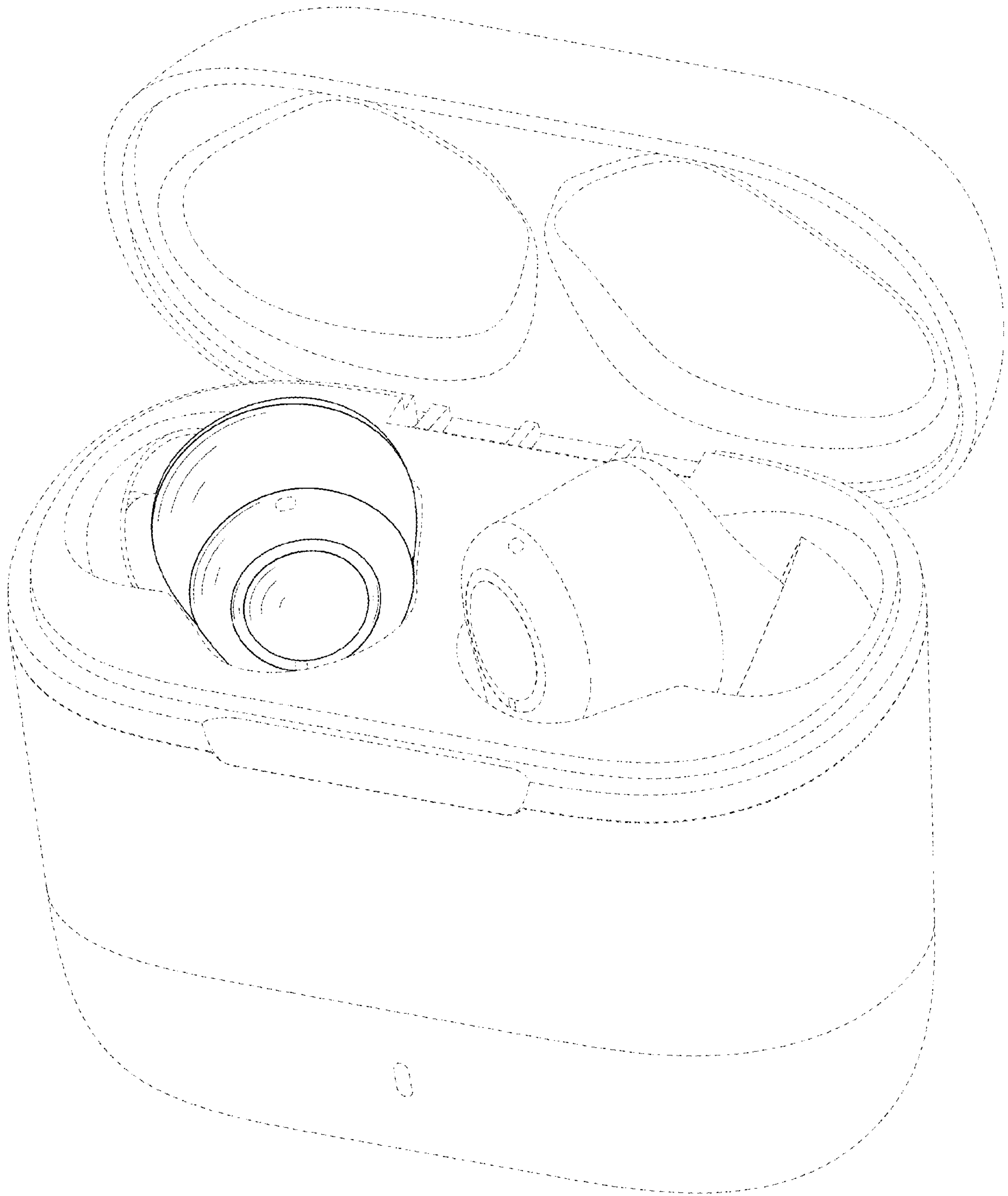


FIG. 9