



US00D916054S

(12) **United States Design Patent**
Sretovic

(10) **Patent No.:** **US D916,054 S**
(45) **Date of Patent:** **** Apr. 13, 2021**

(54) **HEADPHONE**

- (71) Applicant: **Harman International Industries, Incorporated**, Northridge, CA (US)
- (72) Inventor: **Nikola Sretovic**, Shenzhen (CN)
- (73) Assignee: **Harman International Industries, Incorporated**, Northridge, CA (US)

(**) Term: **15 Years**

(21) Appl. No.: **29/695,334**

(22) Filed: **Jun. 18, 2019**

(51) **LOC (13) Cl.** **14-01**

(52) **U.S. Cl.**
USPC **D14/223**

(58) **Field of Classification Search**
USPC D14/223, 205; D24/174; 128/864, 865,
128/866; 381/380, 381; 455/90.3, 575.1,
455/569.1
CPC H04R 1/10; H04R 25/00; H04R 25/02;
H04R 1/1066; H04R 1/1016; H04R
5/033; H04R 5/0335; H04R 1/105; H04R
1/1091

See application file for complete search history.

(56) **References Cited**

U.S. PATENT DOCUMENTS

- D505,411 S * 5/2005 Sakai D14/192
- 7,092,543 B1 * 8/2006 Mahoney H04R 25/65
381/322
- 7,113,611 B2 * 9/2006 Leedom H04R 25/65
381/322
- D543,972 S * 6/2007 Taylor D14/223
- D603,380 S * 11/2009 Hutchieson D14/223
- D628,565 S * 12/2010 Wu D14/223
- D647,081 S * 10/2011 Kwon D14/223
- D666,580 S * 9/2012 Lee D14/223
- 8,406,448 B2 * 3/2013 Lin H04R 1/1091
381/380
- D705,757 S * 5/2014 Yashiro H04R 1/10
D14/223

(Continued)

FOREIGN PATENT DOCUMENTS

- CN 304529854 * 3/2018
- EM 007385646-0003 * 12/2019
- IN 237336 4/2012

OTHER PUBLICATIONS

Design U.S. Appl. No. 29/631,188, filed Dec. 28, 2017.

(Continued)

Primary Examiner — Paula Allen Greene

(74) *Attorney, Agent, or Firm* — Plumsea Law Group, LLC

(57) **CLAIM**

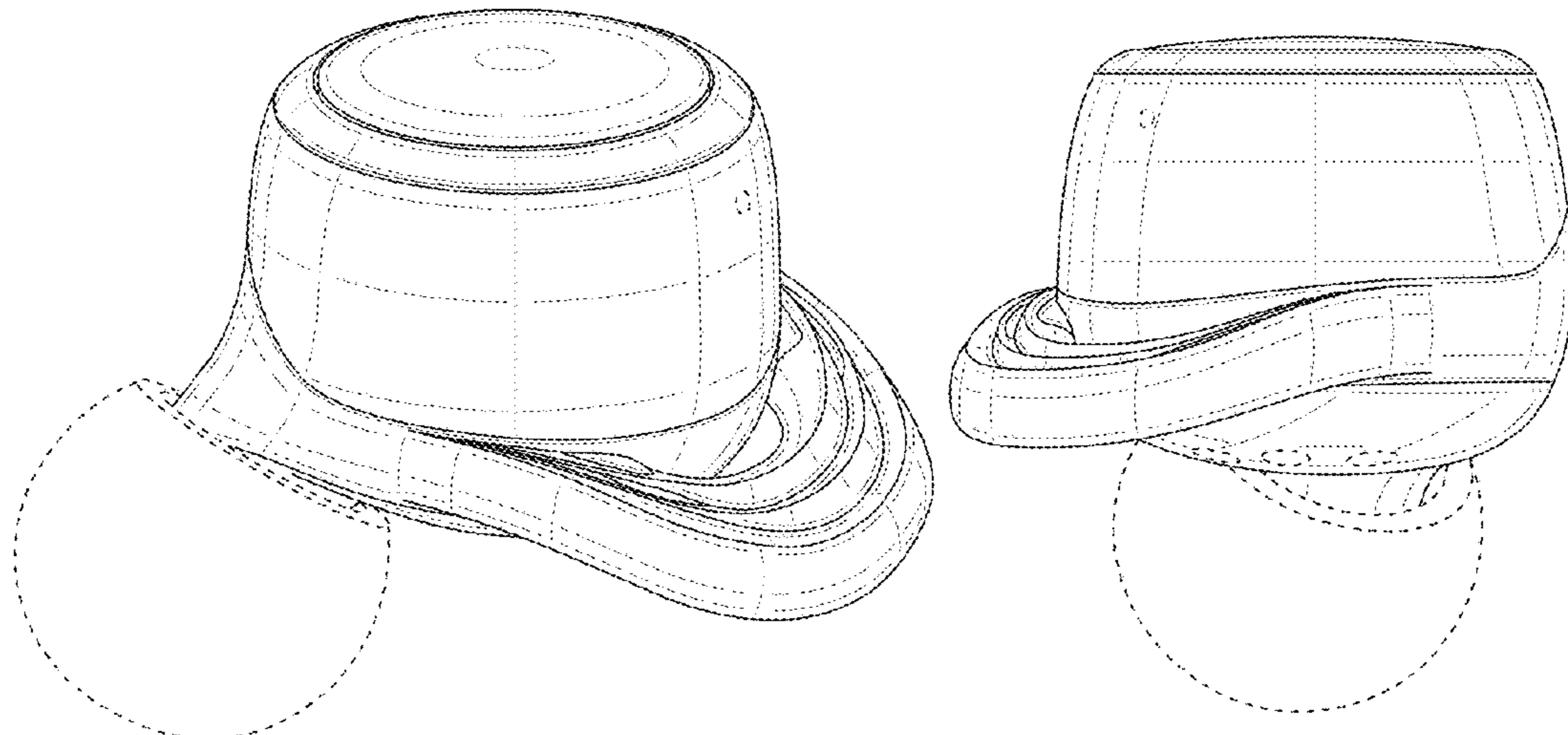
The ornamental design for a headphone, as shown and described.

DESCRIPTION

FIG. 1 is a perspective view of a headphone showing the new design;
 FIG. 2 is a front elevational view thereof;
 FIG. 3 is a rear elevational view thereof;
 FIG. 4 is a side elevational view thereof;
 FIG. 5 is an opposite side elevational view thereof;
 FIG. 6 is a top view thereof;
 FIG. 7 is a bottom view thereof;
 FIG. 8 is a perspective view of another embodiment of the headphone, illustrating a mirror image of the headphone of FIGS. 1-7;
 FIG. 9 is a front elevational view thereof;
 FIG. 10 is a rear elevational view thereof;
 FIG. 11 is a side elevational view thereof;
 FIG. 12 is an opposite side elevational view thereof;
 FIG. 13 is a top view thereof; and,
 FIG. 14 is a bottom view thereof.

The broken lines in the figures illustrate portions of the design that form no part of the claimed design.

1 Claim, 14 Drawing Sheets



(56)

References Cited

U.S. PATENT DOCUMENTS

8,776,801 B2 * 7/2014 McIntosh H04R 25/656
 128/864
 D711,858 S * 8/2014 Yang D14/223
 D718,745 S * 12/2014 Thompson D14/223
 D719,548 S * 12/2014 Thompson D14/223
 D729,775 S * 5/2015 Seo D14/223
 D737,251 S * 8/2015 Thompson D14/223
 D740,786 S * 10/2015 Huang D14/205
 D745,489 S * 12/2015 Bjelle D14/205
 D746,792 S * 1/2016 Kim D14/205
 D764,445 S * 8/2016 Czaniecki D14/223
 D767,532 S * 9/2016 Jen D14/205
 D773,439 S * 12/2016 Walker D14/223
 D777,710 S * 1/2017 Palmborg D14/223
 D781,269 S * 3/2017 Choe D14/223
 D782,442 S * 3/2017 Chen D14/205
 D782,998 S * 4/2017 Shin D14/205
 D788,079 S * 5/2017 Son D14/223
 D789,909 S * 6/2017 Hung D14/223
 D794,611 S * 8/2017 Valenzuela D14/223
 D794,614 S * 8/2017 Xu D14/223
 D795,224 S * 8/2017 Valenzuela D14/223
 D795,225 S * 8/2017 Sumii D14/223
 D806,879 S * 1/2018 Horbinski D24/174
 D810,054 S * 2/2018 Yuan D14/223
 D812,042 S * 3/2018 Xiao D14/223

D817,309 S 5/2018 Czaniecki et al.
 D833,420 S 11/2018 Lindenberger
 D842,844 S * 3/2019 Li D14/223
 D845,932 S * 4/2019 Lu D14/223
 D848,979 S * 5/2019 Kim D14/223
 D851,072 S * 6/2019 McNamara D14/223
 D852,171 S * 6/2019 Cai D14/218
 D852,782 S * 7/2019 Bergman D14/223
 D855,589 S * 8/2019 Madsen D14/223
 D871,376 S * 12/2019 Zhou D14/223
 D872,064 S * 1/2020 Cai D14/223
 D873,805 S * 1/2020 Yang D14/223
 D875,069 S * 2/2020 Peralta D14/205
 D875,714 S * 2/2020 Kim D14/205
 D875,719 S * 2/2020 Wen D14/223
 D892,085 S * 8/2020 Kim D14/223
 2009/0141923 A1 * 6/2009 Smith H04R 1/1016
 381/371
 2011/0249856 A1 * 10/2011 Takei H04R 1/1016
 381/380
 2017/0094384 A1 * 3/2017 Trainer H04R 1/105

OTHER PUBLICATIONS

Design U.S. Appl. No. 29/661,340, filed Aug. 27, 2018.
 JBL Free Truly Wireless In-Ear Headphones Specification Sheet
 dated 2017.

* cited by examiner

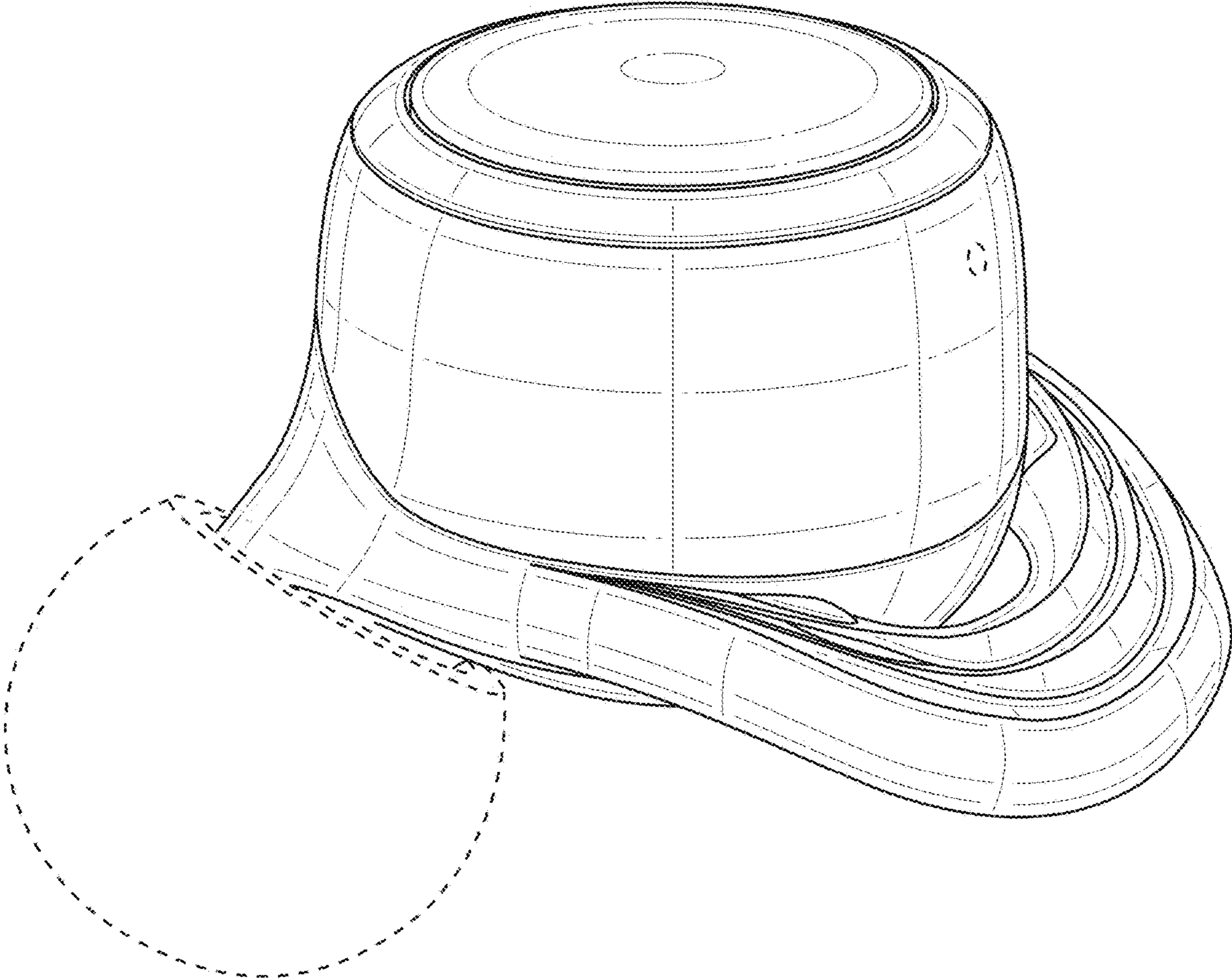


FIG. 1

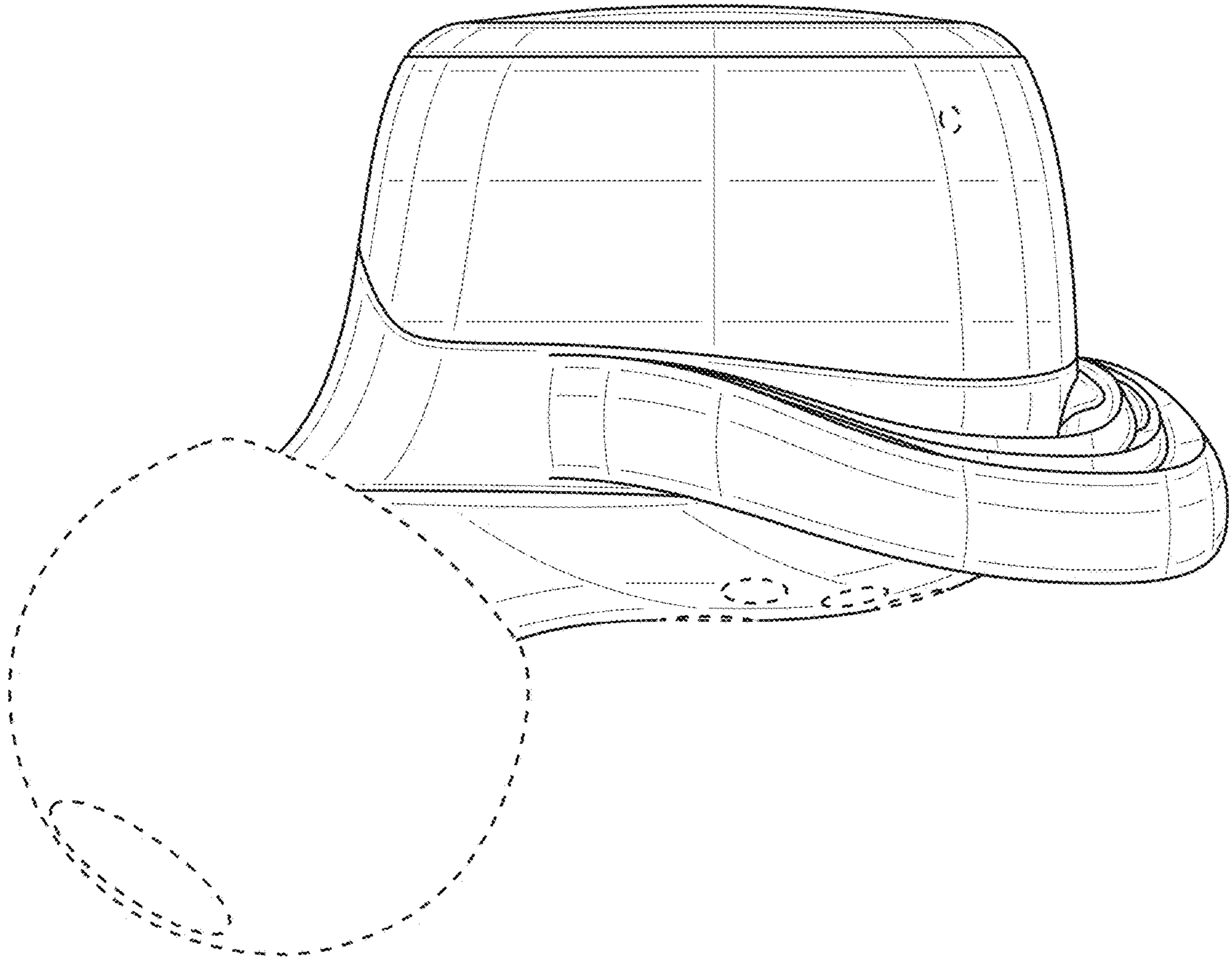


FIG. 2

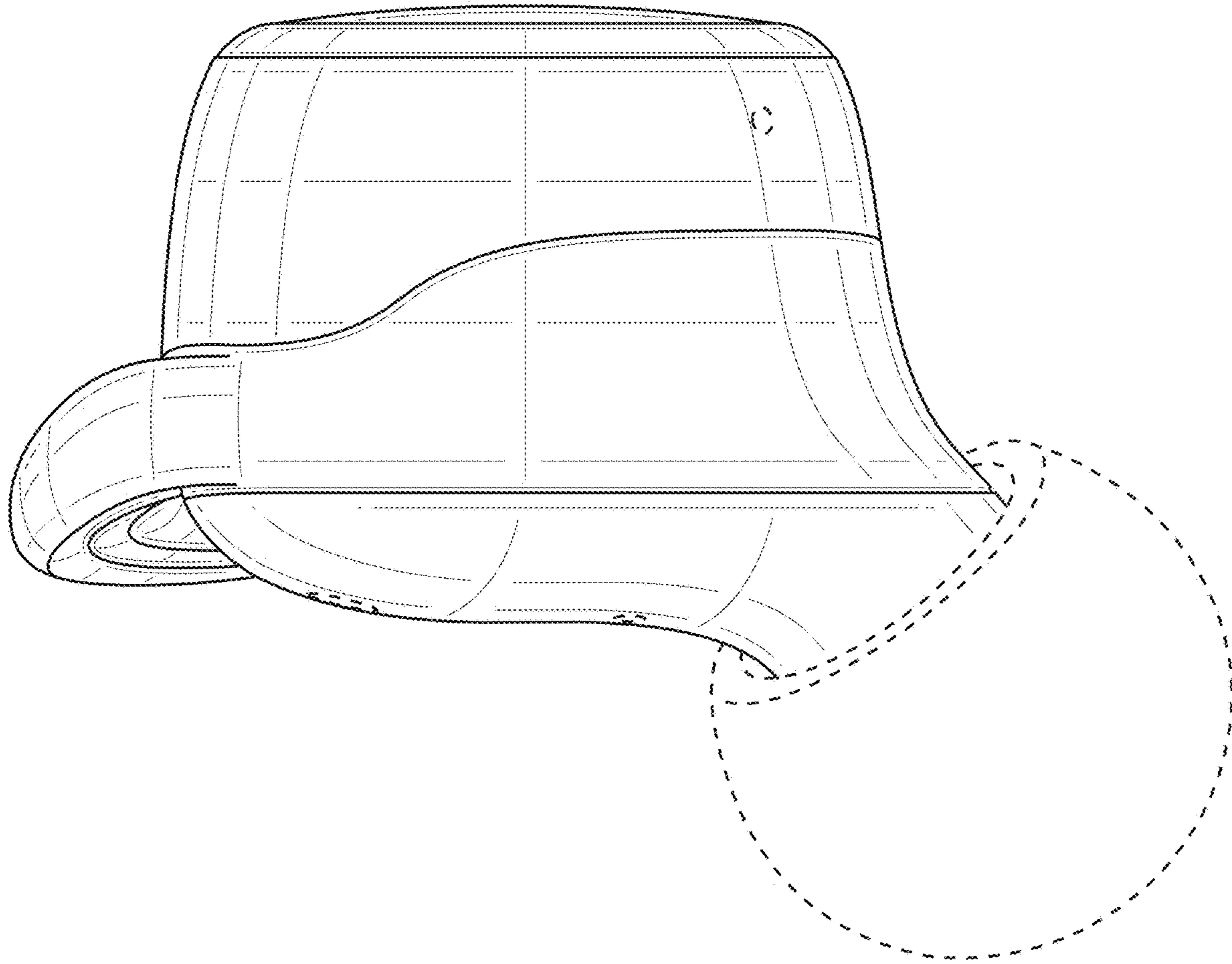


FIG. 3

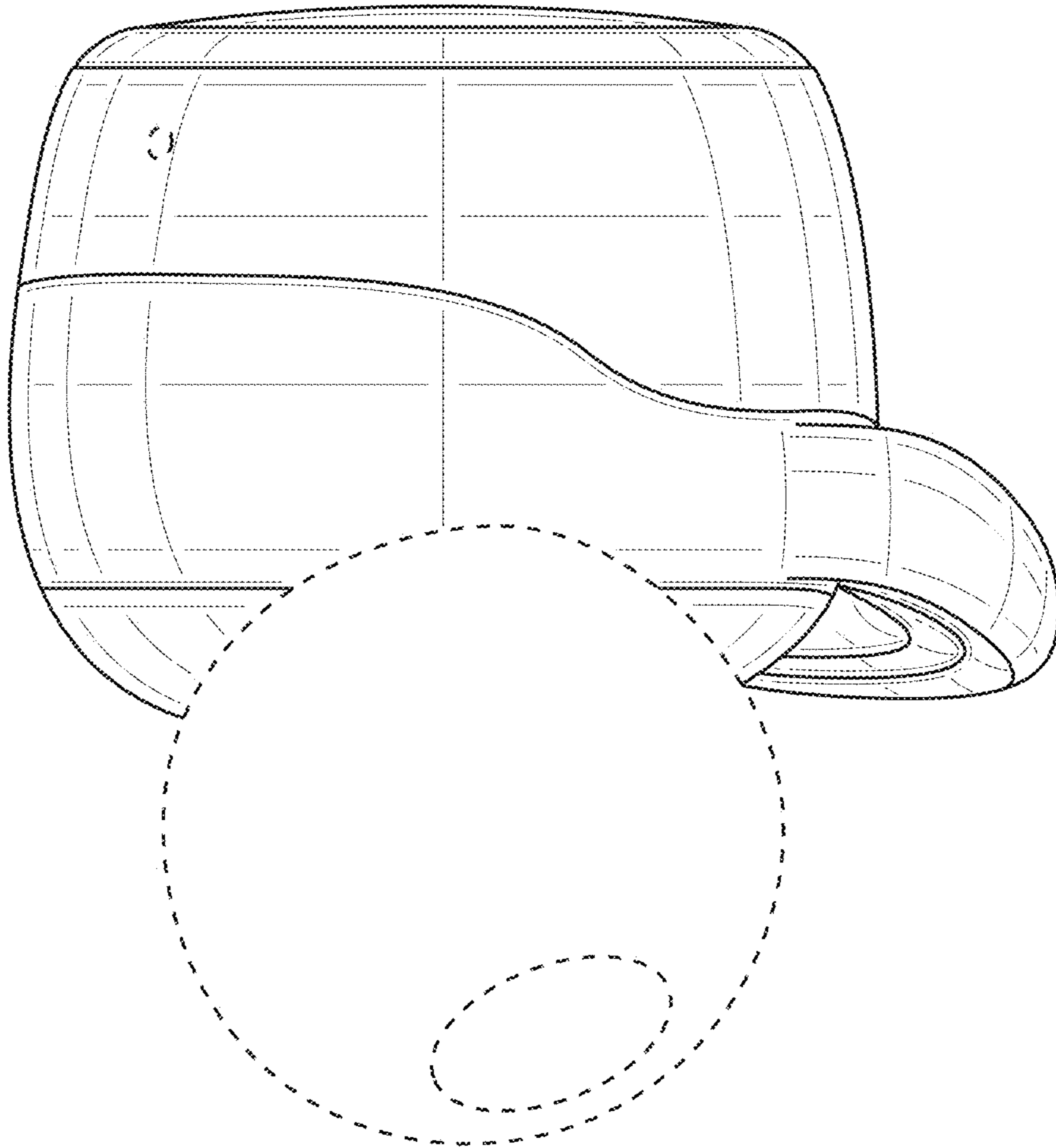


FIG. 4

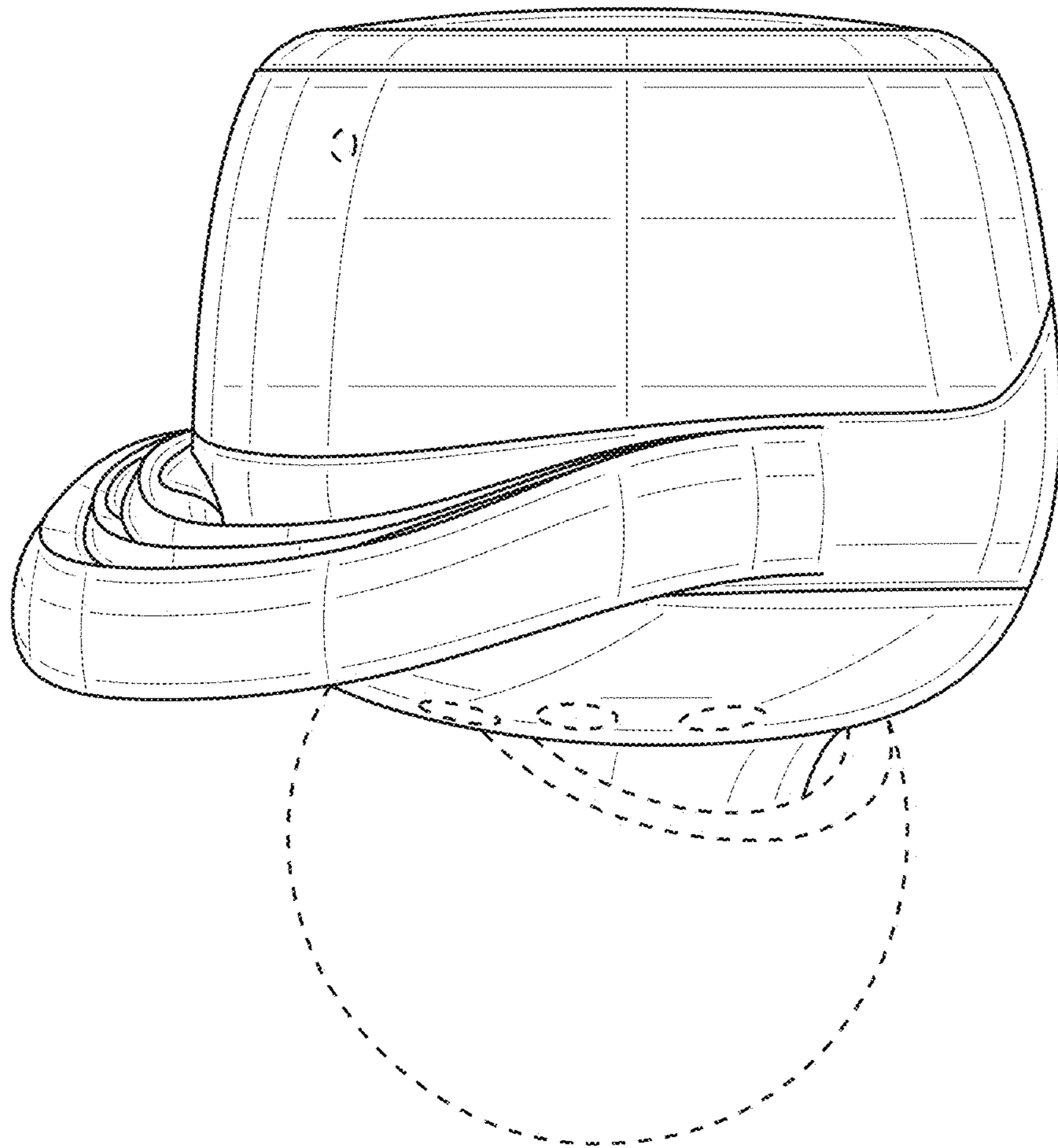


FIG. 5

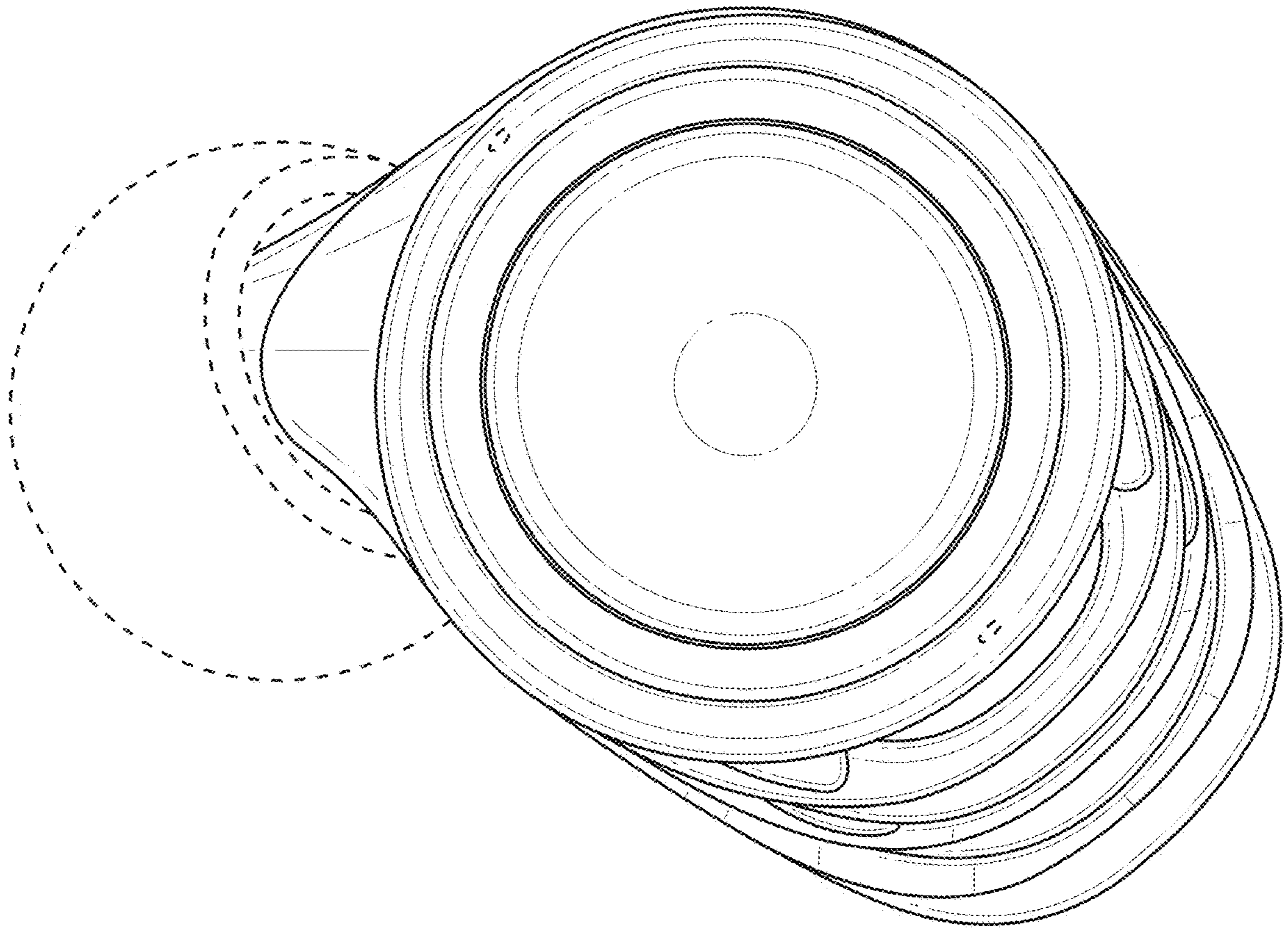


FIG. 6

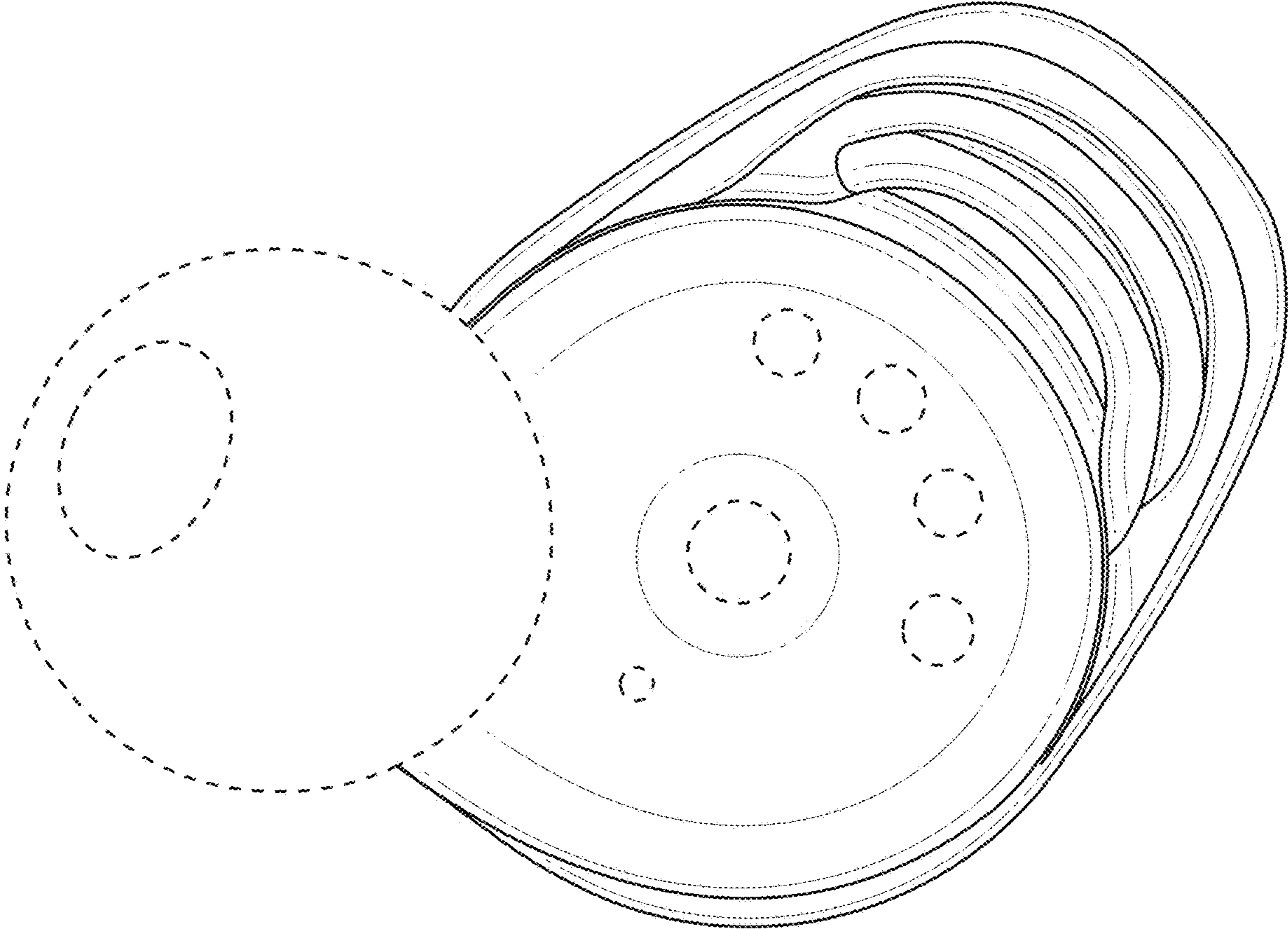


FIG. 7

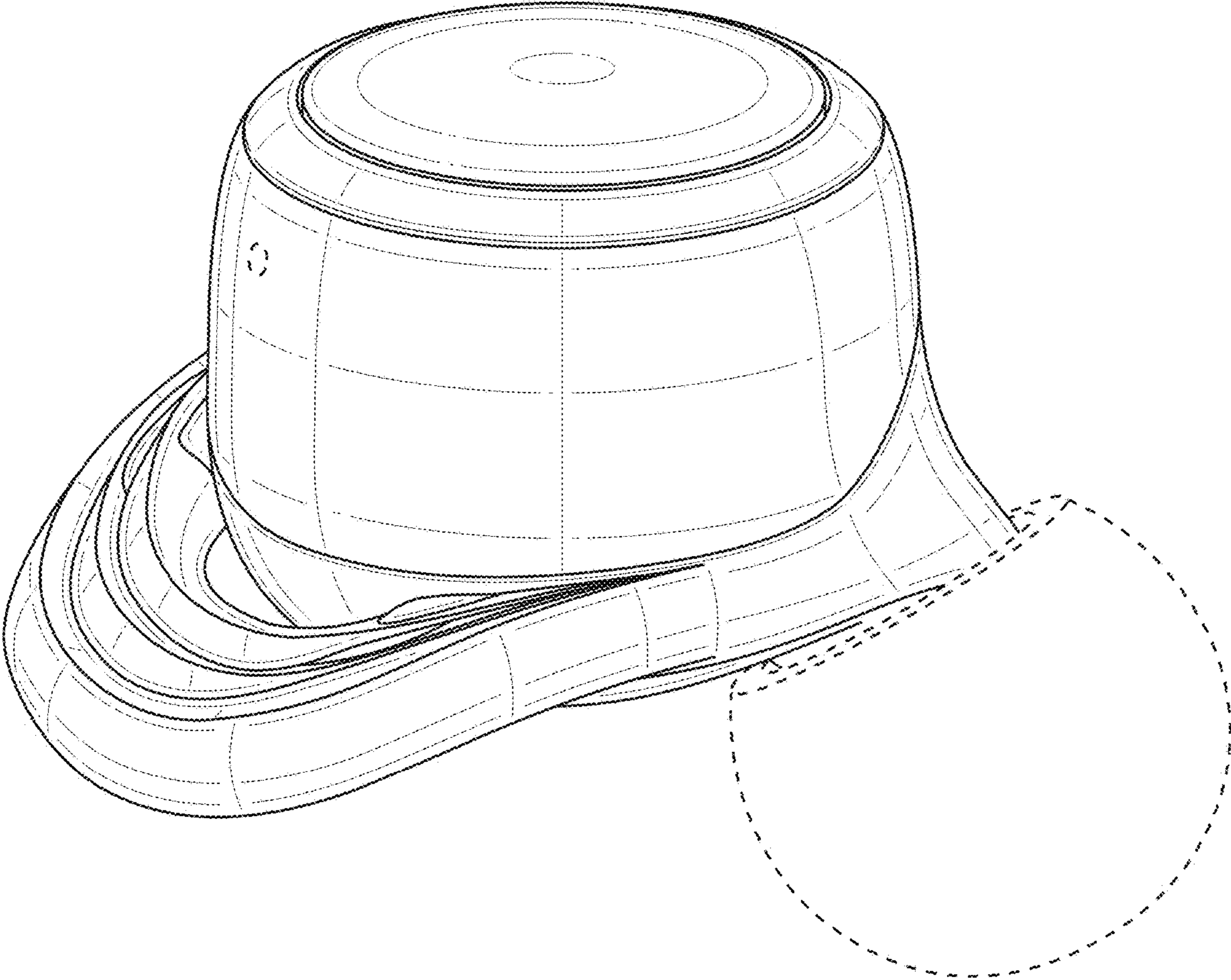


FIG. 8

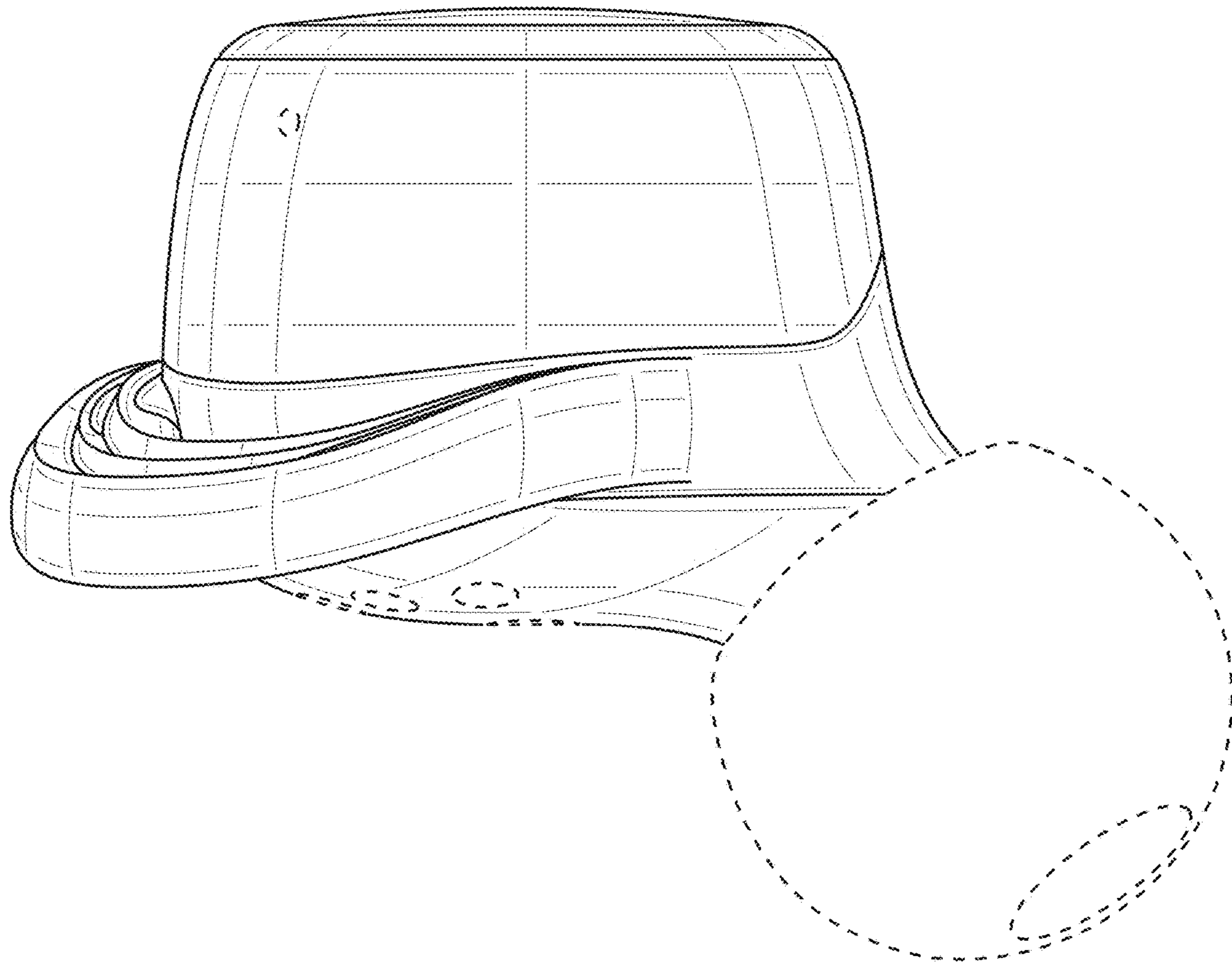


FIG. 9

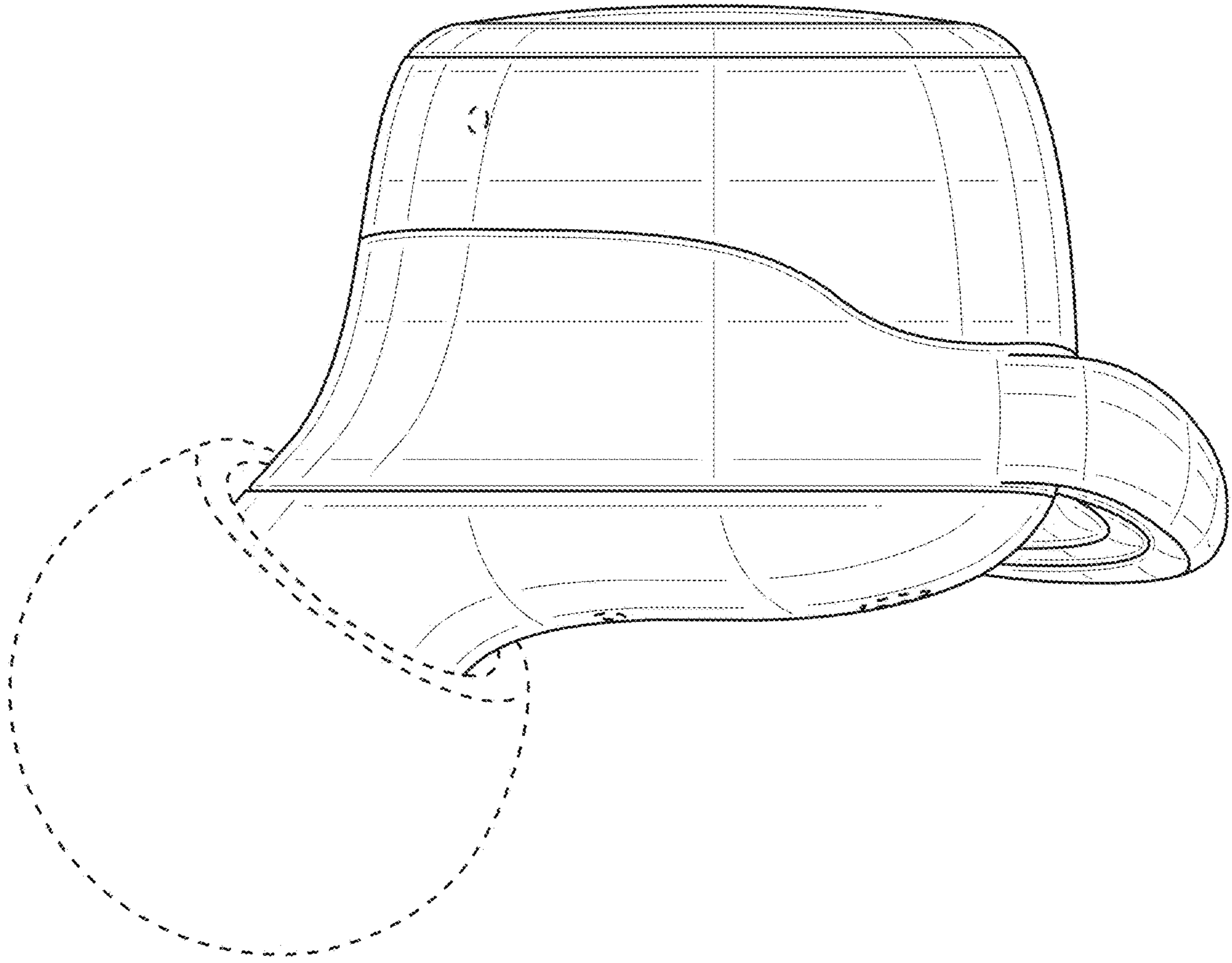


FIG. 10

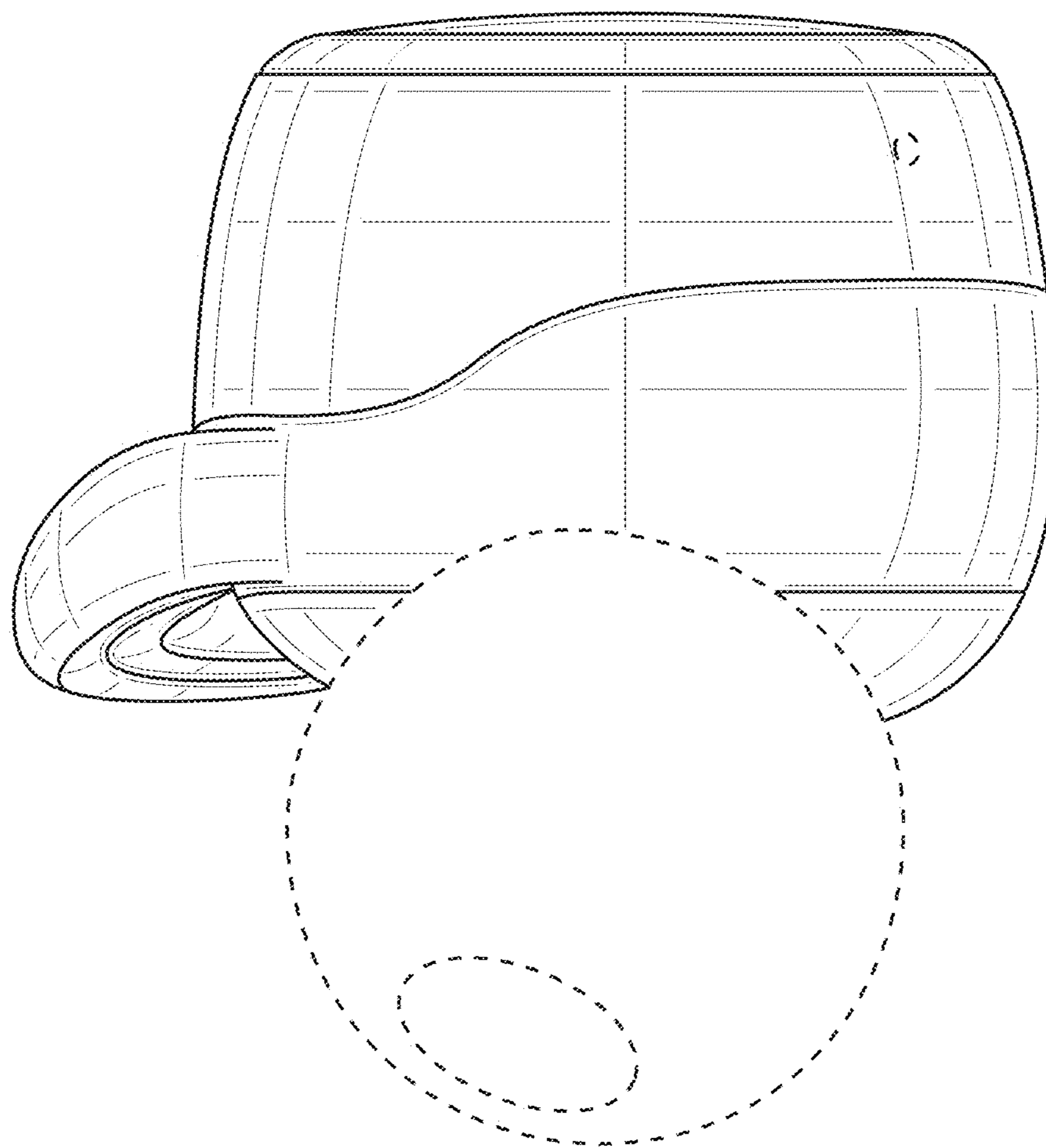


FIG. 11

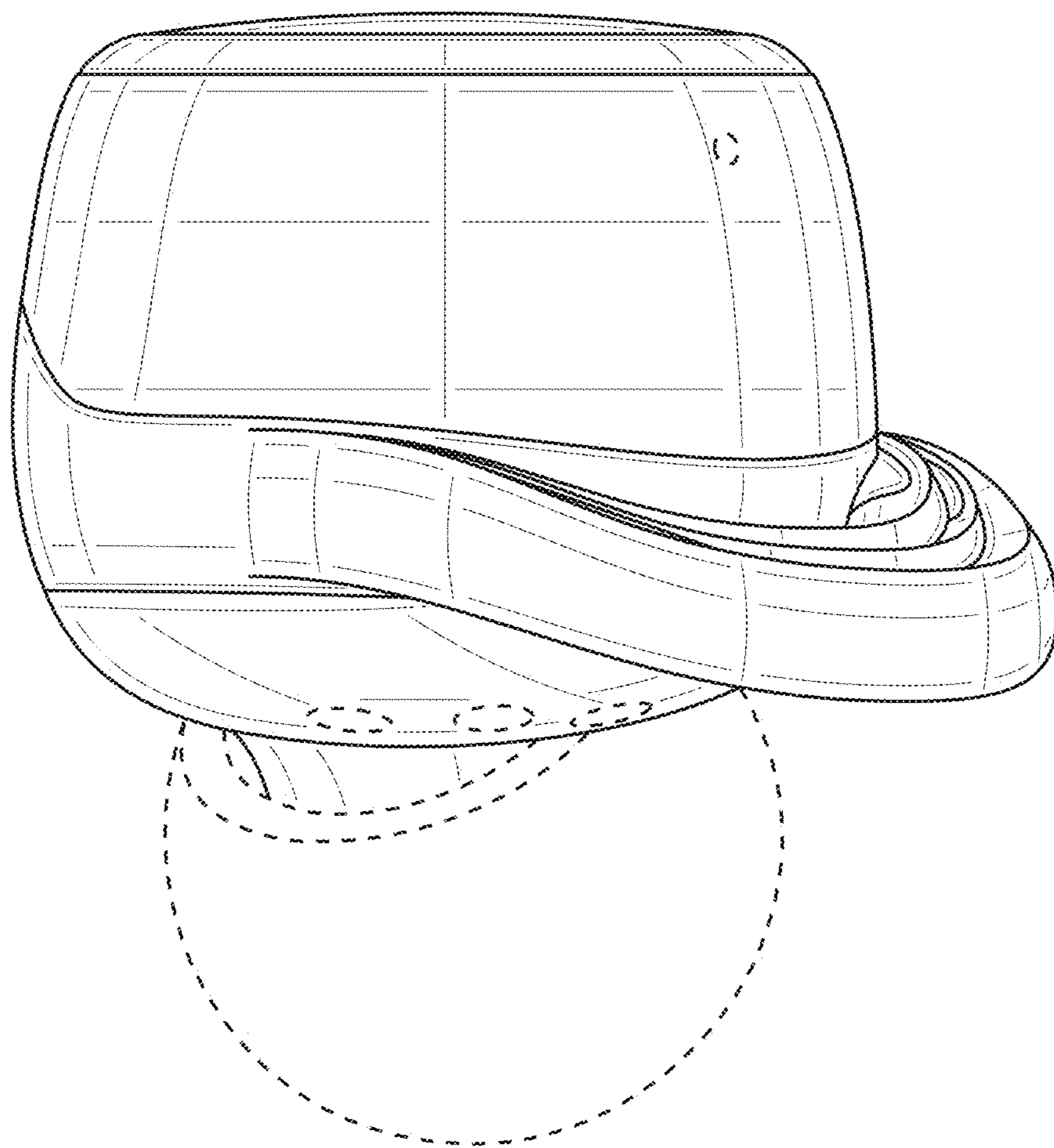


FIG. 12

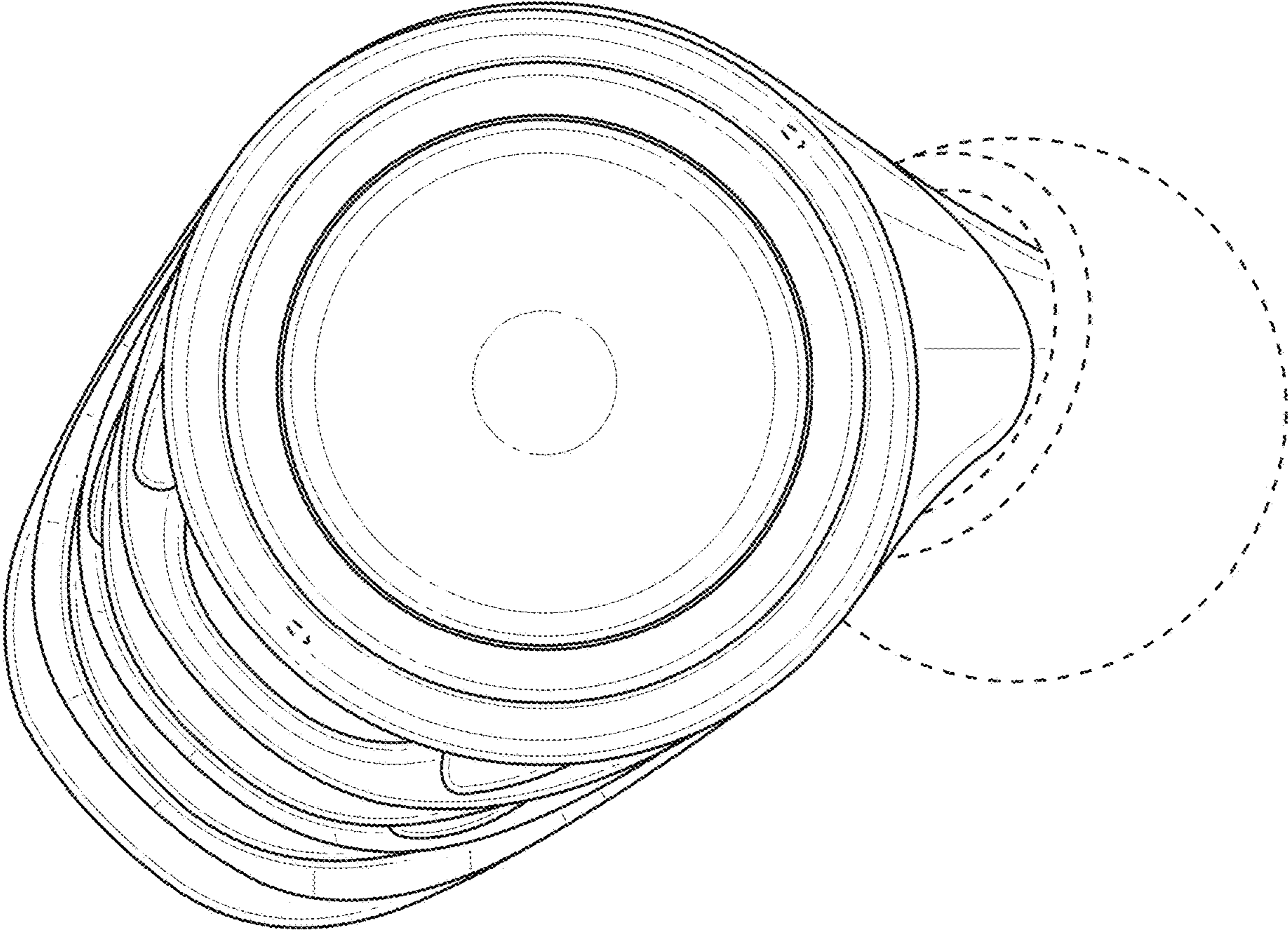


FIG. 13

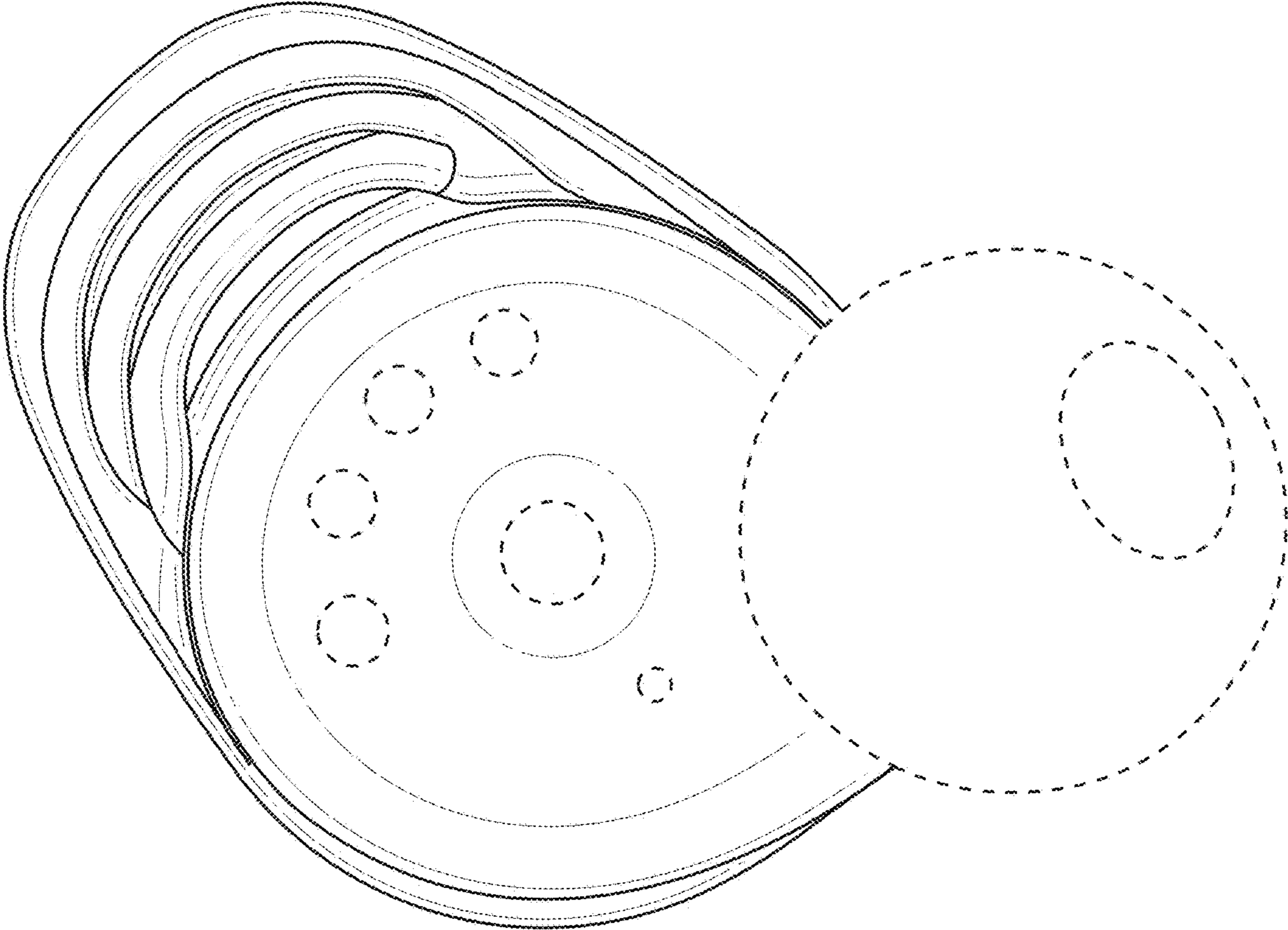


FIG. 14