



US00D916051S

(12) **United States Design Patent**  
**Wang**

(10) **Patent No.:** **US D916,051 S**

(45) **Date of Patent:** **\*\* Apr. 13, 2021**

(54) **SPEAKER**

(71) Applicant: **Zhimin Wang**, Heilongjiang (CN)

(72) Inventor: **Zhimin Wang**, Heilongjiang (CN)

(\*\*) Term: **15 Years**

(21) Appl. No.: **29/711,071**

(22) Filed: **Oct. 29, 2019**

(30) **Foreign Application Priority Data**

Aug. 8, 2019 (CN) ..... 201930428515.5

(51) **LOC (13) Cl.** ..... **14-01**

(52) **U.S. Cl.**  
USPC ..... **D14/216**

(58) **Field of Classification Search**  
USPC ..... D14/209–219, 167–172, 188, 199,  
D14/194–196, 204, 221–222, 224, 496,  
D14/265, 209.1, 432–434, 214–216;  
D21/516, 513, 324, 478–480, 499;  
D13/168; D23/332–336, 352, 355–366,  
D23/269, 135–137; D26/135, 137, 22,  
D26/51, 9, 93

CPC ..... H04R 1/02; H04R 1/021; H04R 1/023;  
H04R 5/00; H04R 9/06; H04R 2420/07

See application file for complete search history.

(56) **References Cited**

**U.S. PATENT DOCUMENTS**

D734,740 S *	7/2015	Erbeus	.....	D14/214
D774,020 S *	12/2016	Hinokio	.....	D14/216
D810,266 S *	2/2018	Li	.....	D23/366
D812,643 S *	3/2018	Akana	.....	D14/496
D829,684 S *	10/2018	Hardi	.....	D14/204
D847,373 S *	4/2019	Hurwit	.....	D24/231
D860,257 S *	9/2019	Akana	.....	D14/496
D863,356 S *	10/2019	Akana	.....	D14/496
D868,032 S *	11/2019	Wen	.....	D14/216
D873,799 S *	1/2020	Longenecker	.....	D14/217

D875,077 S *	2/2020	Omata	.....	D14/216
D883,275 S *	5/2020	Zhang	.....	D14/299
D894,963 S *	9/2020	Li	.....	D14/496
D900,788 S *	11/2020	Wang	.....	D14/216
D901,412 S *	11/2020	Li	.....	D14/126
D903,081 S *	11/2020	Morton	.....	D23/366
2019/0394547 A1 *	12/2019	Lemons	.....	G10L 15/28
2020/0100006 A1 *	3/2020	D'Ascanio	.....	H04R 5/02

(Continued)

**OTHER PUBLICATIONS**

8W Bass Soundnova 3DMini Portable Speaker, first available Sep. 24, 2019, amazon.com, [online], [site visited Nov. 24, 2020], Available from internet URL: [https://www.amazon.com/Included%E3%80%91-Soundnova-Waterproof-Bluetooth-Playtime/dp/B07YBZNZWK/ref=sr\\_1\\_1?dchild=1&keywords=8w+ba](https://www.amazon.com/Included%E3%80%91-Soundnova-Waterproof-Bluetooth-Playtime/dp/B07YBZNZWK/ref=sr_1_1?dchild=1&keywords=8w+ba) (Year: 2019).\*

(Continued)

*Primary Examiner* — Samantha Q Lawrence

*Assistant Examiner* — Holly M Rodriguez

(74) *Attorney, Agent, or Firm* — ZANIP

(57) **CLAIM**

The ornamental design for a speaker, as shown and described.

**DESCRIPTION**

FIG. 1 is a front elevational view of a speaker showing my new design;

FIG. 2 is a rear elevational view thereof;

FIG. 3 is a left side view thereof;

FIG. 4 is a right side view thereof;

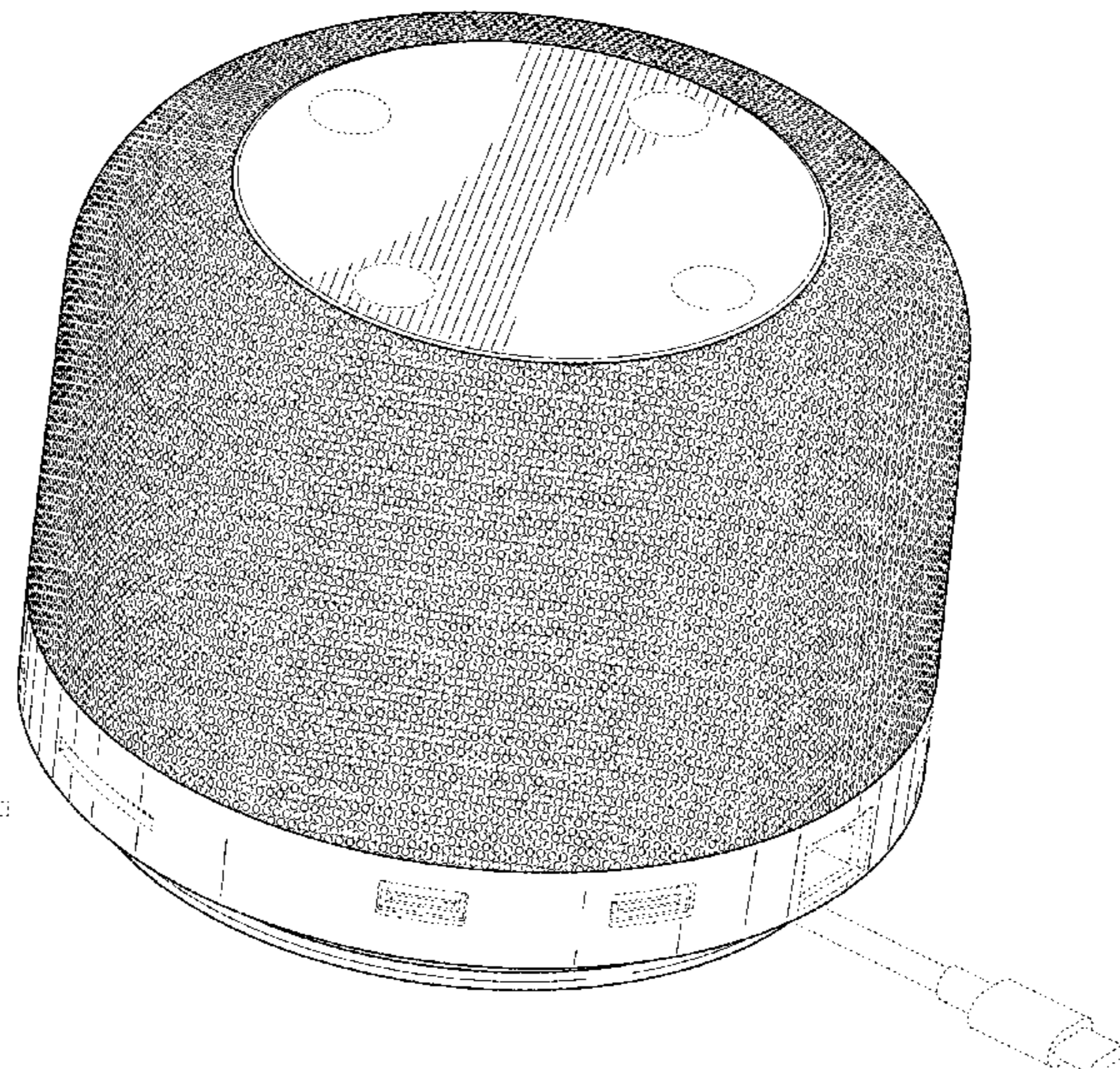
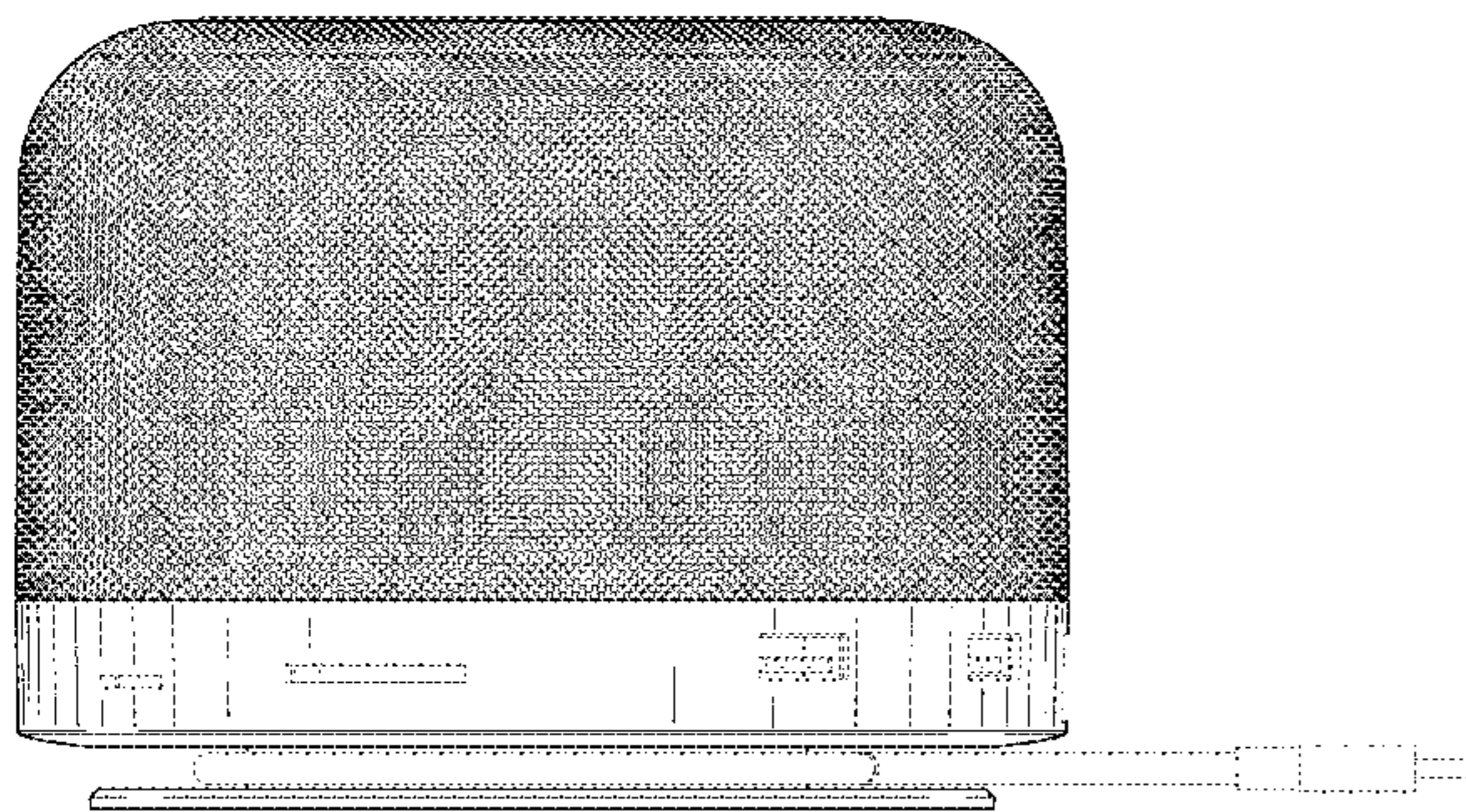
FIG. 5 is a top plan view thereof;

FIG. 6 is a bottom plan view thereof; and,

FIG. 7 is a top, front and right side perspective view thereof.

The broken lines in the figures illustrate portions of the speaker which form no part of the claimed design.

**1 Claim, 7 Drawing Sheets**



(56)

**References Cited**

## U.S. PATENT DOCUMENTS

2020/0304914 A1\* 9/2020 Mata Magana ..... F21V 33/0056

## OTHER PUBLICATIONS

Soundcore, first available Apr. 12, 2019, ace.electronicsforu.com, [online], [site visited Nov. 24, 2020], Available from internet URL: <https://ace.electronicsforu.com/buzz/new-products/bluetooth-speakers/soundcore-by-anker-launches-portable-waterproof-speaker-in-india/> (Year: 2019).\*

DURAGADGET Multi-Coloured Wireless Speaker Lamp, first available Jan. 30, 2018, amazon.com, [online], [site visited Feb. 11, 2021], Available from internet URL: <https://www.amazon.com/DURAGADGET-Multi-Coloured-Portable-Wireless-Generation/dp/B079G4DCYQ> (Year: 2018).\*

Universal USB-C Laptop Hub, first available Sep. 2, 2020, amazon.com, [online], [site visited Feb. 11, 2021], Available from internet URL: [https://www.amazon.com/Universal-Wireless-Charging-Compatible-Remote/dp/B08H1RV8BF/ref=pd\\_lpo\\_t\\_2/141-0065607-8578337?\\_encoding=E2%80%A6](https://www.amazon.com/Universal-Wireless-Charging-Compatible-Remote/dp/B08H1RV8BF/ref=pd_lpo_t_2/141-0065607-8578337?_encoding=E2%80%A6) (Year: 2020).\*

U42 Wireless Charge Docking Speaker, mac-verin.com, [online], [site visited Feb. 11, 2021], Available from internet URL: <https://www.mac-verin.com/u42-wireless-charge-docking-speaker.html> (Year: 2021).\*

Type C Hub with 10W Wireless Charger and 10W Digital Speaker, first available Jul. 5, 2019, globalsources.com, [online], [site visited Feb. 11, 2021], Available from internet URL: <https://www.globalsources.com/si/AS/Shenzhen-BoRun/6008853655259/pdt1/USB-C-HUB/1171783454.htm> (Year: 2019).\*

Dell Mobile MH3021 USB-C Multi-Port Adapter, first available Jun. 23, 2020, amazon.com, [online], [site visited Feb. 11, 2021], Available from internet URL: [https://www.amazon.com/Dell-MH3021-Multi-Port-Adapter-Speakerphone/dp/B08BPG8YJ6/ref=asc\\_df\\_B08BPG8YJ6/?tag=hyprod-20&linkCode=df0%E2%80%A6](https://www.amazon.com/Dell-MH3021-Multi-Port-Adapter-Speakerphone/dp/B08BPG8YJ6/ref=asc_df_B08BPG8YJ6/?tag=hyprod-20&linkCode=df0%E2%80%A6) (Year: 2020).\*

Jabra Speak 510+ with Link 360—USB & Bluetooth Speakerphone, first available Sep. 12, 2017, amazon.com, [online], [site visited Feb. 11, 2021], Available from internet URL: <https://www.amazon.com/Jabra-Speak-510-Link-360/dp/B00ZA2JRGQ> (Year: 2017).\*

Dell—USB-C Mobile Adapter—DA300, bestbuy.com, [online], [site visited Feb. 11, 2021], Available from internet URL: <https://www.bestbuy.com/site/dell-usb-c-mobile-adapter-da300-6-in-1-adapter-type-c-laptop-compatible-dock-and-adapter-black/6211705.p?skuId=6211705&ref=212&loc> (Year: 2021).\*

\* cited by examiner

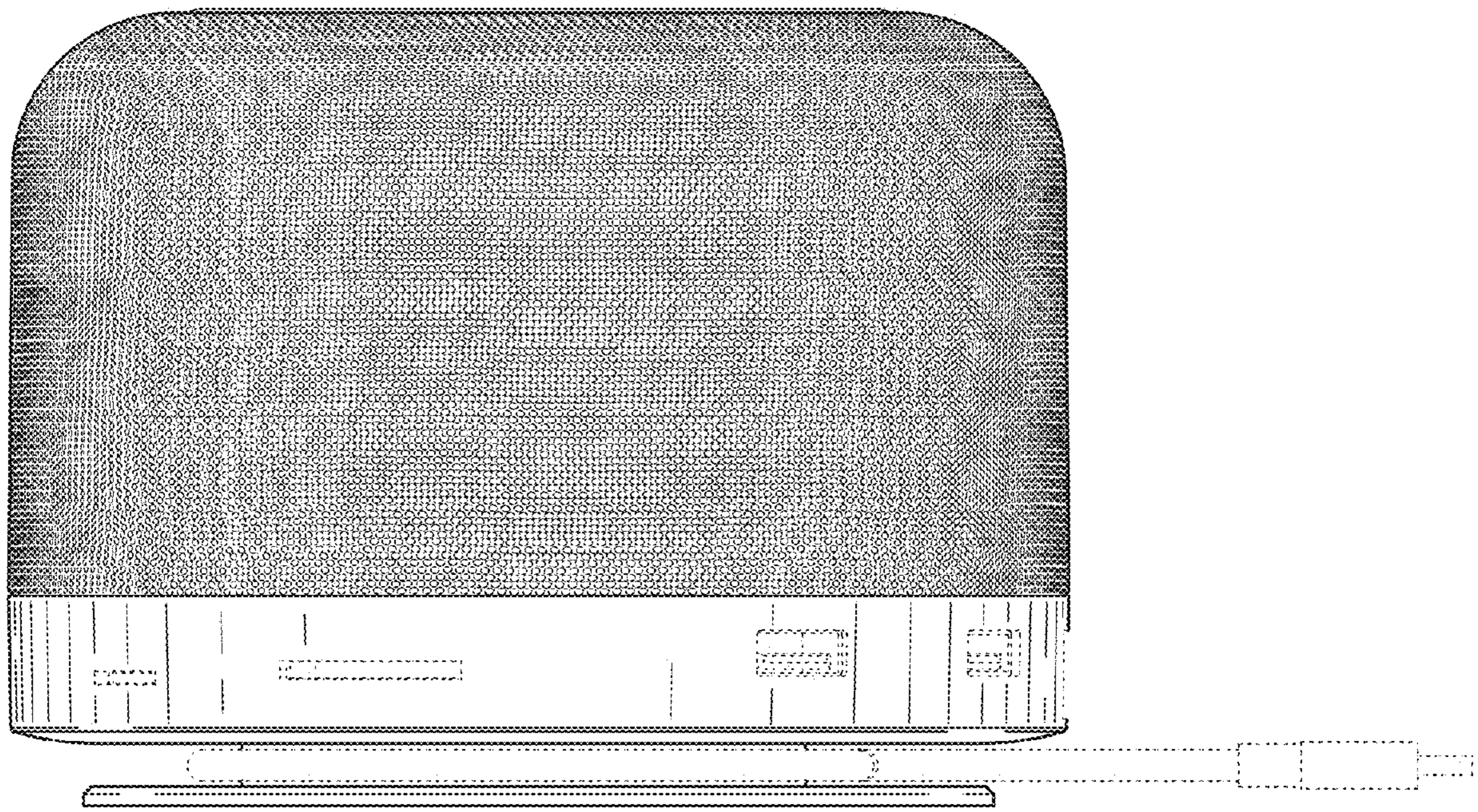


FIG. 1

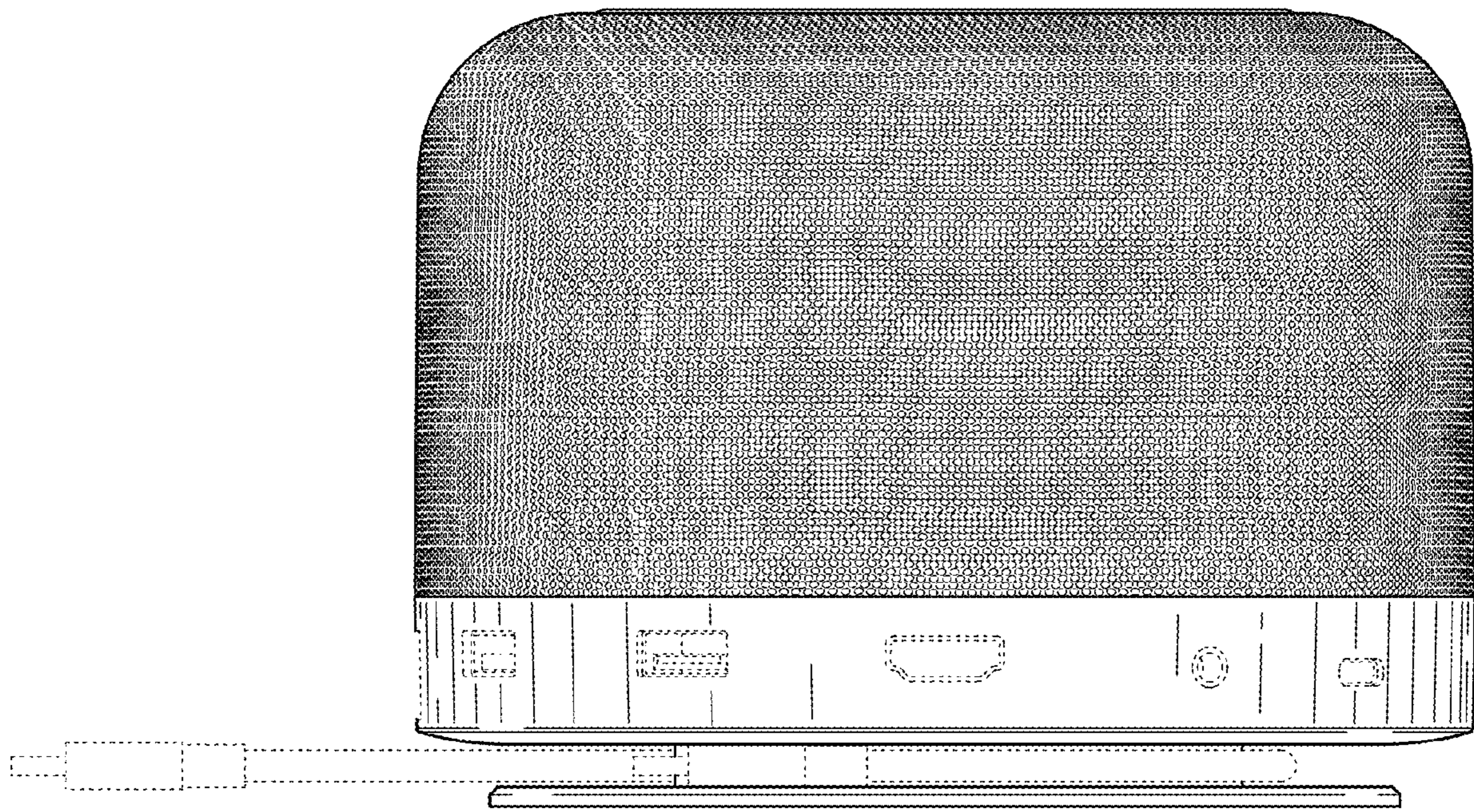


FIG. 2

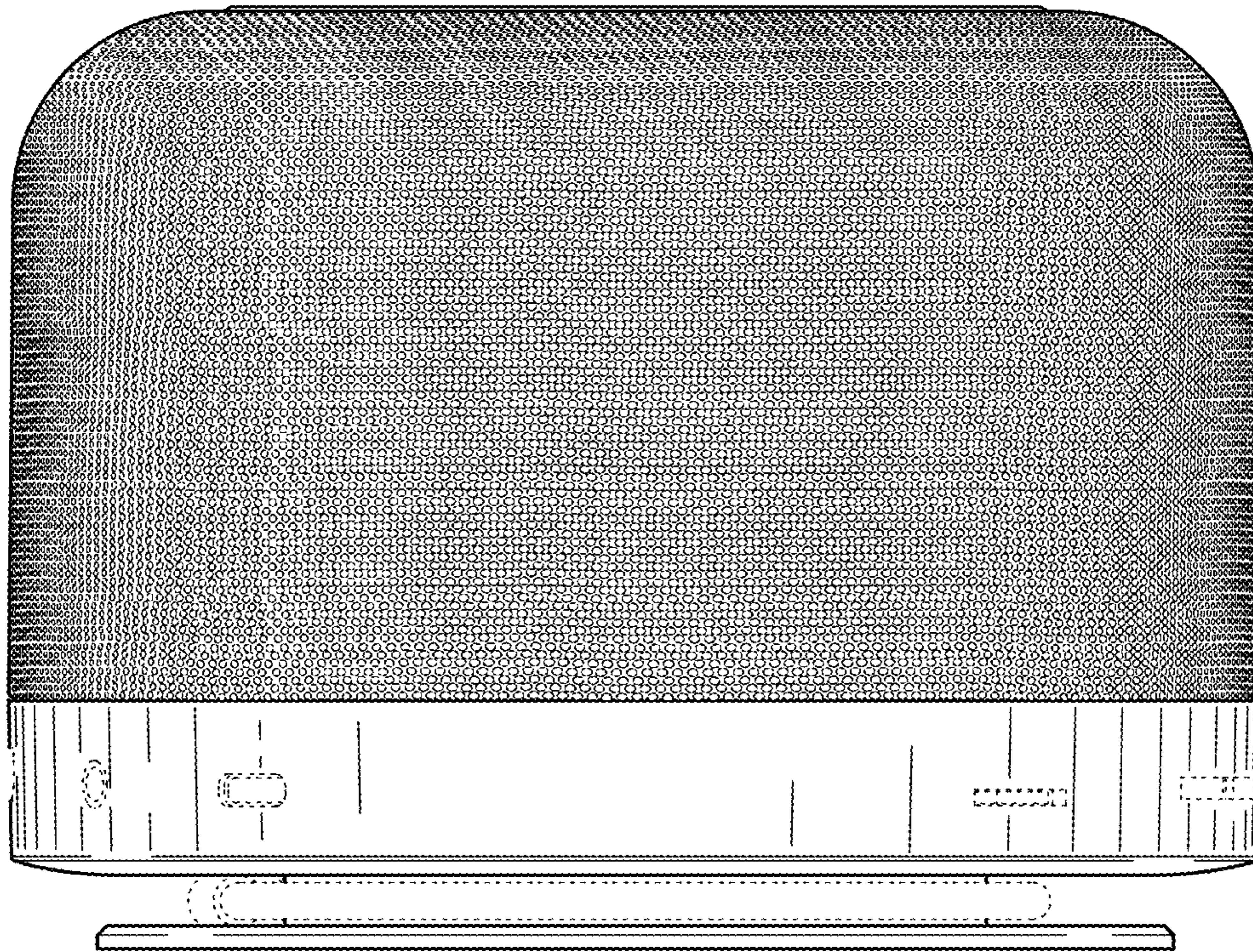


FIG. 3

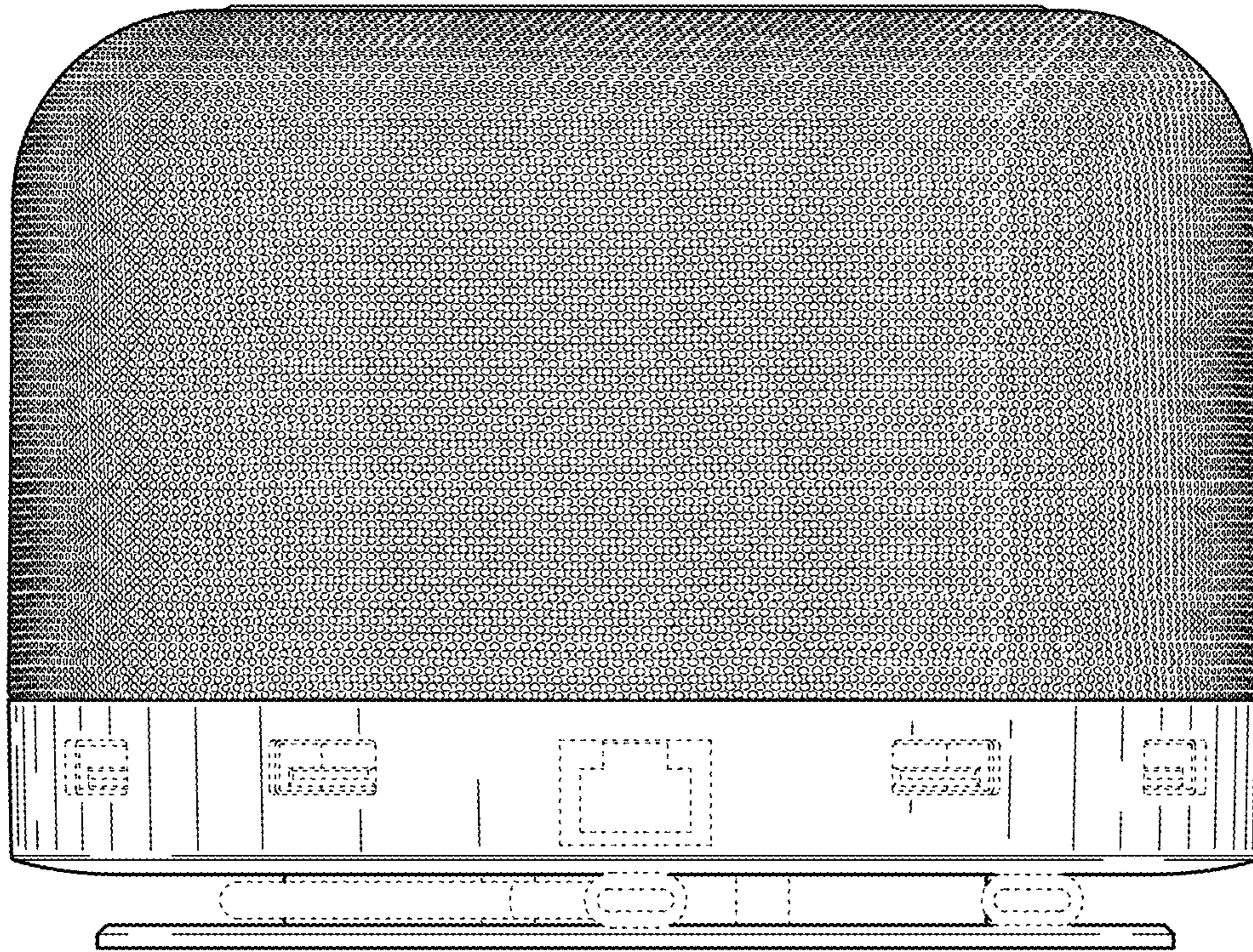


FIG. 4

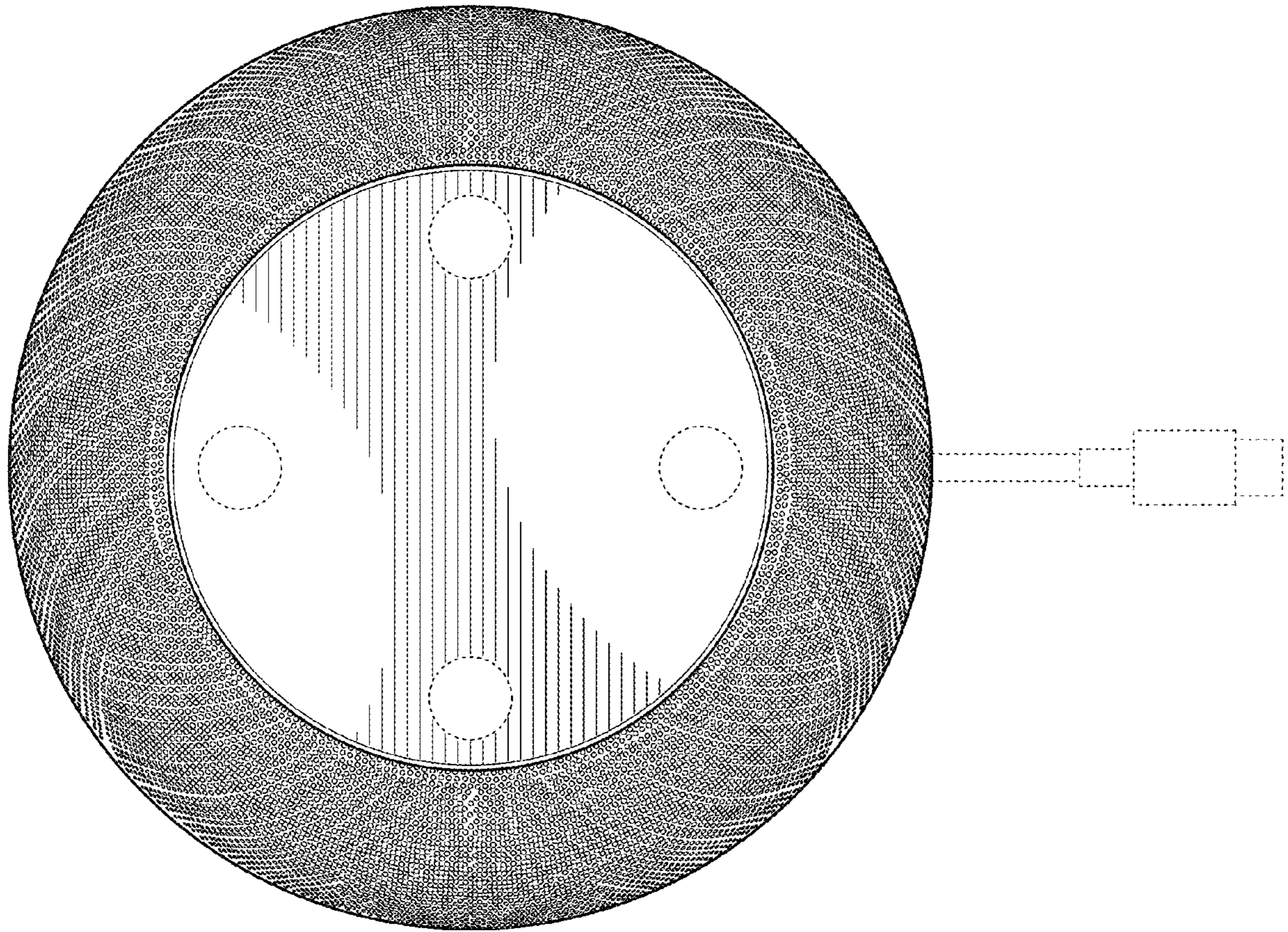


FIG. 5

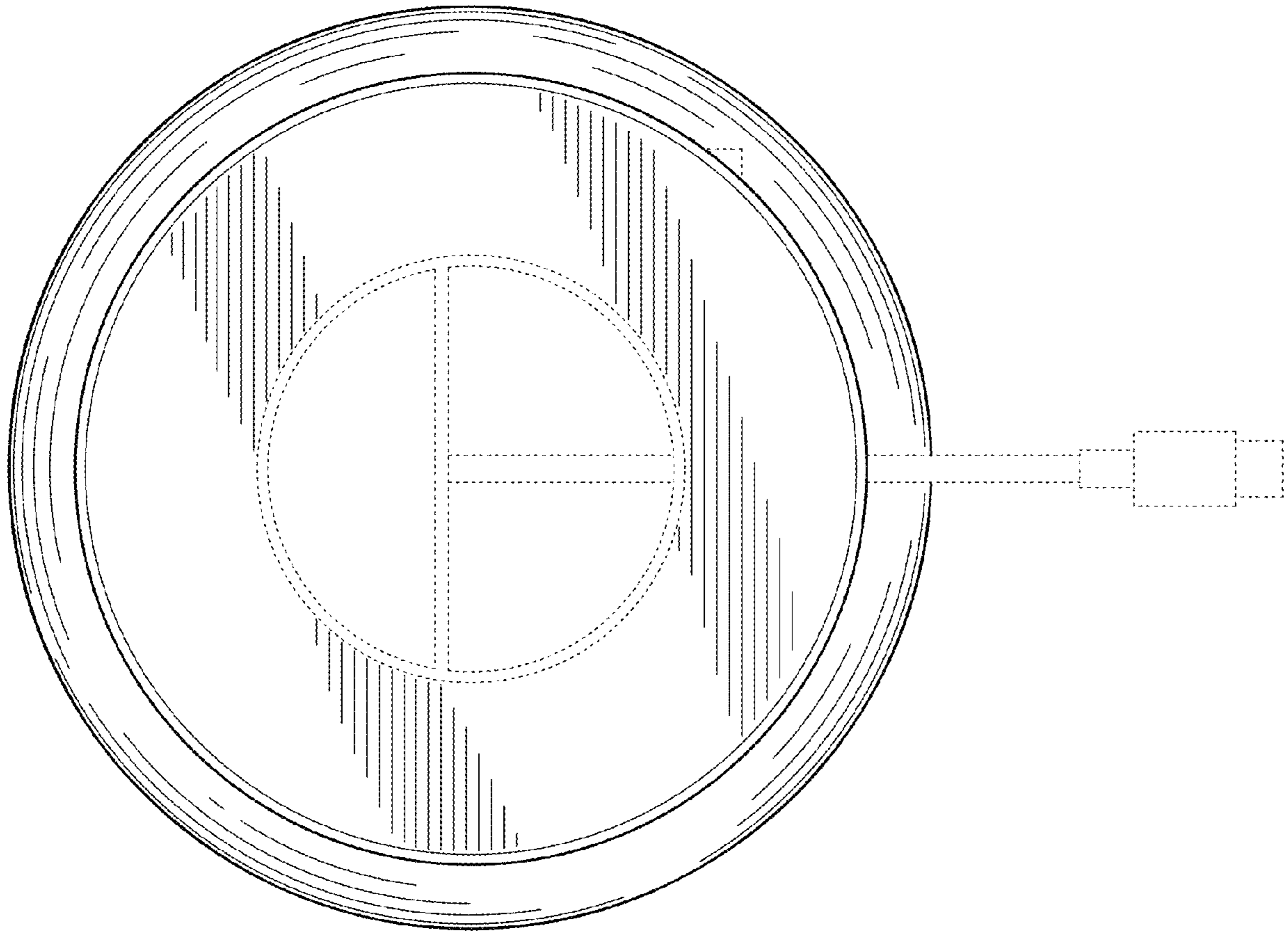


FIG. 6



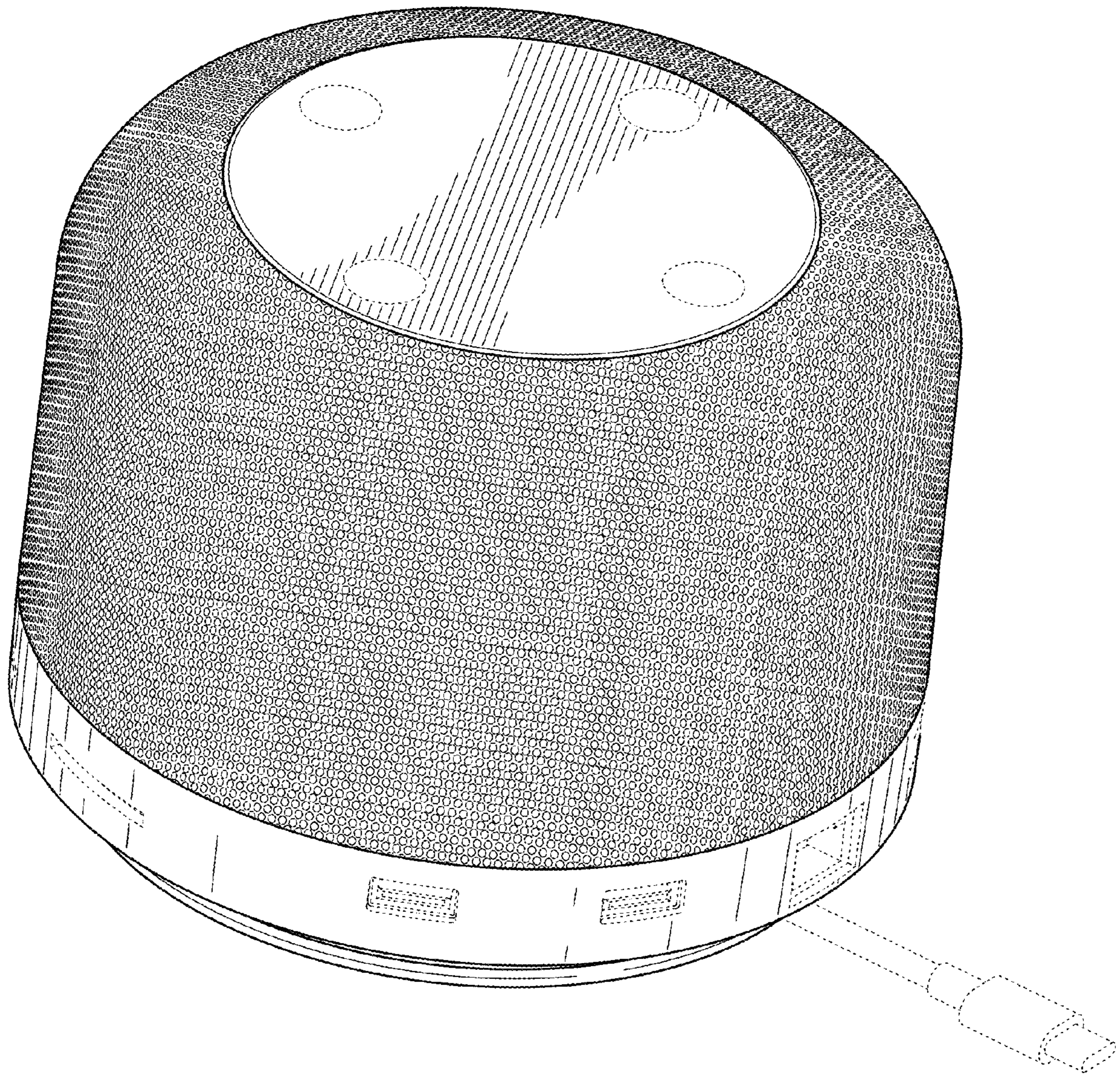


FIG. 7