



US00D916049S

(12) **United States Design Patent**
Xu

(10) **Patent No.:** **US D916,049 S**

(45) **Date of Patent:** **** Apr. 13, 2021**

(54) **HEADSET**

(71) Applicant: **Chuanchun Xu**, Shaoyang (CN)

(72) Inventor: **Chuanchun Xu**, Shaoyang (CN)

(**) Term: **15 Years**

(21) Appl. No.: **29/763,535**

(22) Filed: **Dec. 23, 2020**

(51) **LOC (13) Cl.** **14-01**

(52) **U.S. Cl.**
USPC **D14/206**

(58) **Field of Classification Search**
USPC D14/206, 205, 223, 225; D24/174;
128/864, 865, 866; 381/380, 381;
455/90.3, 575.1, 569.1
CPC H04R 1/10; H04R 25/00; H04R 19/04;
H04R 1/105; H04R 1/1066; H04R
1/1016; H04R 5/033; H04R 5/0335;
H04R 1/1083

See application file for complete search history.

(56) **References Cited**

U.S. PATENT DOCUMENTS

D439,890 S *	4/2001	Skulley	D14/206
D443,603 S *	6/2001	Taylor	D14/206
6,771,790 B2 *	8/2004	Liu	H04M 1/05 381/375
D504,419 S *	4/2005	Bey	D14/223
D506,258 S *	6/2005	Nielsen	D24/174
D511,156 S *	11/2005	Eroma	D14/205
D512,984 S *	12/2005	Ham	D14/205
D515,074 S *	2/2006	Jacobson	D14/225
D517,528 S *	3/2006	Skulley	D14/206
D518,479 S *	4/2006	Skulley	D14/225
D519,498 S *	4/2006	Ham	D14/225
D520,496 S *	5/2006	Gwee	D14/205
D521,492 S *	5/2006	Ham	D14/205
D530,819 S *	10/2006	Jurkiewicz	D24/174
D535,980 S *	1/2007	Bentley	D14/225

D537,815 S *	3/2007	Bentley	D14/206
D539,266 S *	3/2007	Bentley	D14/205
D539,789 S *	4/2007	Rausch	D14/225
D541,787 S *	5/2007	Ma	D14/205
D581,900 S *	12/2008	Caddes	D14/206
D584,719 S *	1/2009	Brennwald	D14/205
D603,372 S *	11/2009	Bentley	D14/206
D612,834 S *	3/2010	Yang	D14/206
D612,835 S *	3/2010	Yang	D14/206
D647,877 S *	11/2011	Son	D14/206
D653,649 S *	2/2012	Yang	D14/206
D657,347 S *	4/2012	Chung	D14/206
D667,121 S *	9/2012	Mori	D24/174
D670,267 S *	11/2012	Maddern	D14/206

(Continued)

FOREIGN PATENT DOCUMENTS

CN	303815869	*	8/2016
CN	303987668	*	12/2016

(Continued)

Primary Examiner — Paula Allen Greene

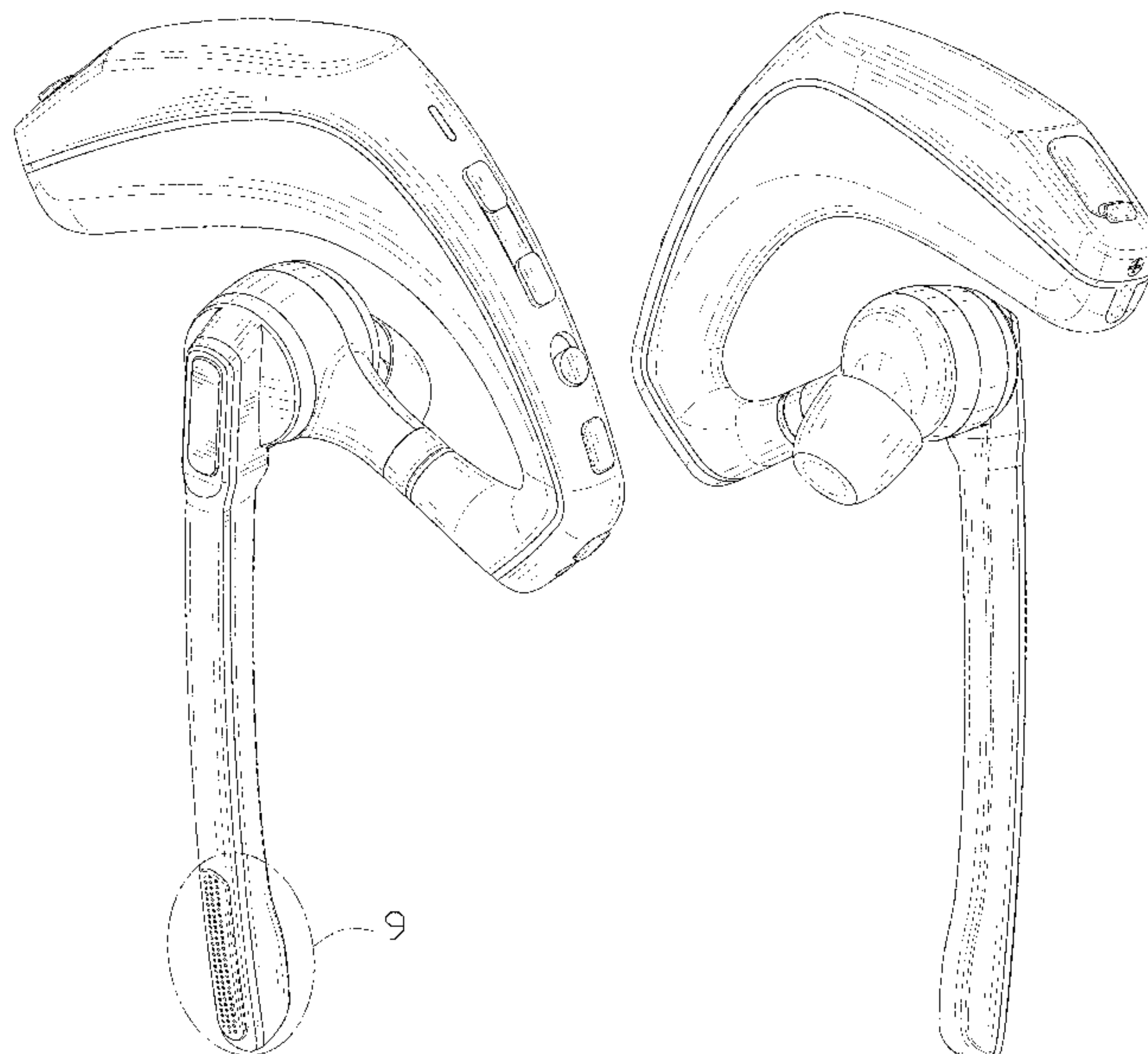
(57) **CLAIM**

The ornamental design for a headset, as shown and described.

DESCRIPTION

FIG. 1 is a perspective view of a headset showing my new design;
FIG. 2 is another perspective view thereof;
FIG. 3 is a front elevational view thereof;
FIG. 4 is a rear elevational view thereof;
FIG. 5 is a left side elevational view thereof;
FIG. 6 is a right side elevational view thereof;
FIG. 7 is a top plan view thereof;
FIG. 8 is a bottom plan view thereof; and,
FIG. 9 is an enlarged view of portion 9 shown in FIG. 1.
The broken lines in the drawings depict portions of the headset that form no part of the claimed design.

1 Claim, 9 Drawing Sheets



(56)

References Cited

U.S. PATENT DOCUMENTS

D671,915 S * 12/2012 Birger D14/206
 D681,002 S * 4/2013 Ham D14/205
 D681,003 S * 4/2013 Ham D14/206
 D681,014 S * 4/2013 Ham D14/223
 D705,936 S * 5/2014 Lockenwitz D24/174
 D726,147 S * 4/2015 Tran D14/206
 D746,260 S * 12/2015 Goransson D14/206
 D750,043 S * 2/2016 Birger D14/206
 9,307,311 B2 * 4/2016 Tran H04R 1/105
 D784,290 S * 4/2017 Paterson D14/205
 D784,291 S * 4/2017 Paterson D14/206
 D789,331 S * 6/2017 Paterson D14/225
 D797,076 S * 9/2017 Zhang D14/206
 D804,035 S * 11/2017 Gabathuler D24/174
 D812,040 S * 3/2018 Yan D14/206
 D828,327 S * 9/2018 Birger D14/206
 D830,337 S * 10/2018 Yan D14/206
 D830,338 S * 10/2018 Yan D14/206
 D836,599 S * 12/2018 Duan D14/206

D838,688 S * 1/2019 Liu D14/206
 D838,692 S * 1/2019 Fu
 D851,065 S * 6/2019 Yan D14/206
 D855,036 S * 7/2019 Yan D14/206
 D863,254 S * 10/2019 Hu D14/206
 D872,707 S * 1/2020 Liu D14/206
 D879,068 S * 3/2020 Yan D14/206
 D883,951 S * 5/2020 Yan D14/206
 D886,798 S * 6/2020 Yan D14/206
 D900,784 S * 11/2020 Yan D14/206
 D903,634 S * 12/2020 Lu D14/206
 2005/0259812 A1 * 11/2005 Chen H04M 1/05
 379/431
 2016/0181718 A1 * 6/2016 Kann H01R 13/447
 381/91

FOREIGN PATENT DOCUMENTS

CN 304175566 * 6/2017
 CN 305743640 * 4/2020
 CN 305933319 * 8/2020

* cited by examiner

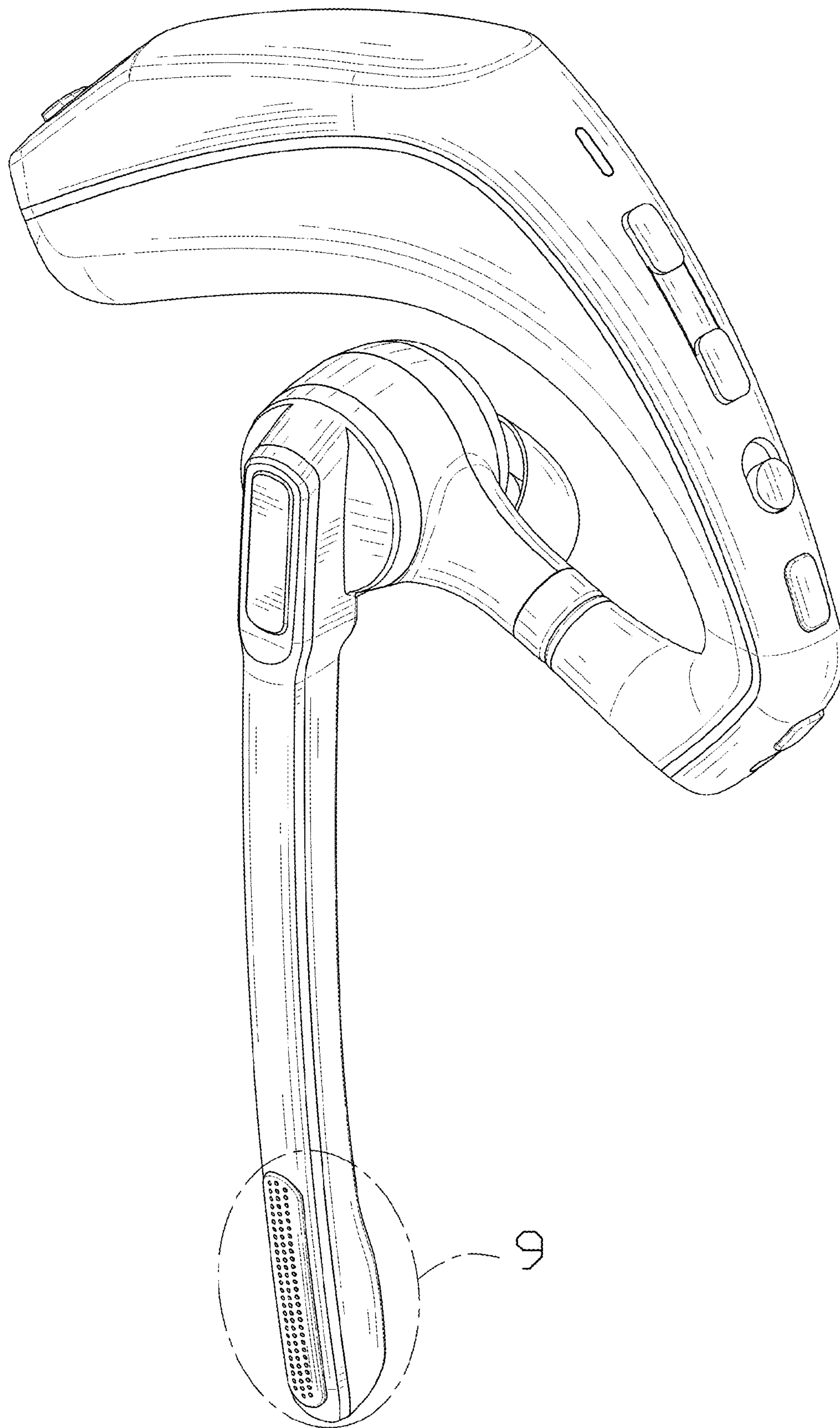


FIG. 1

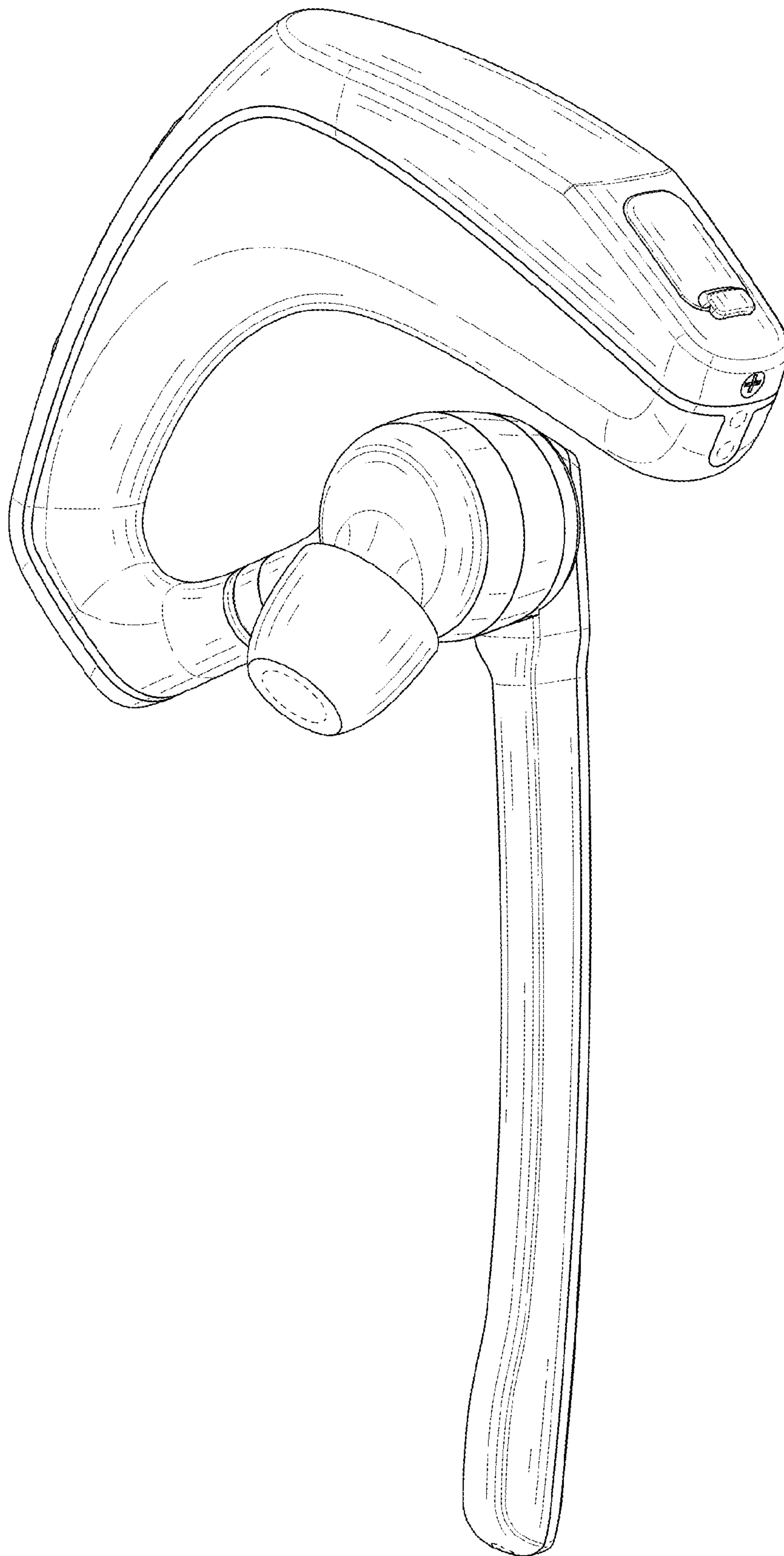


FIG. 2

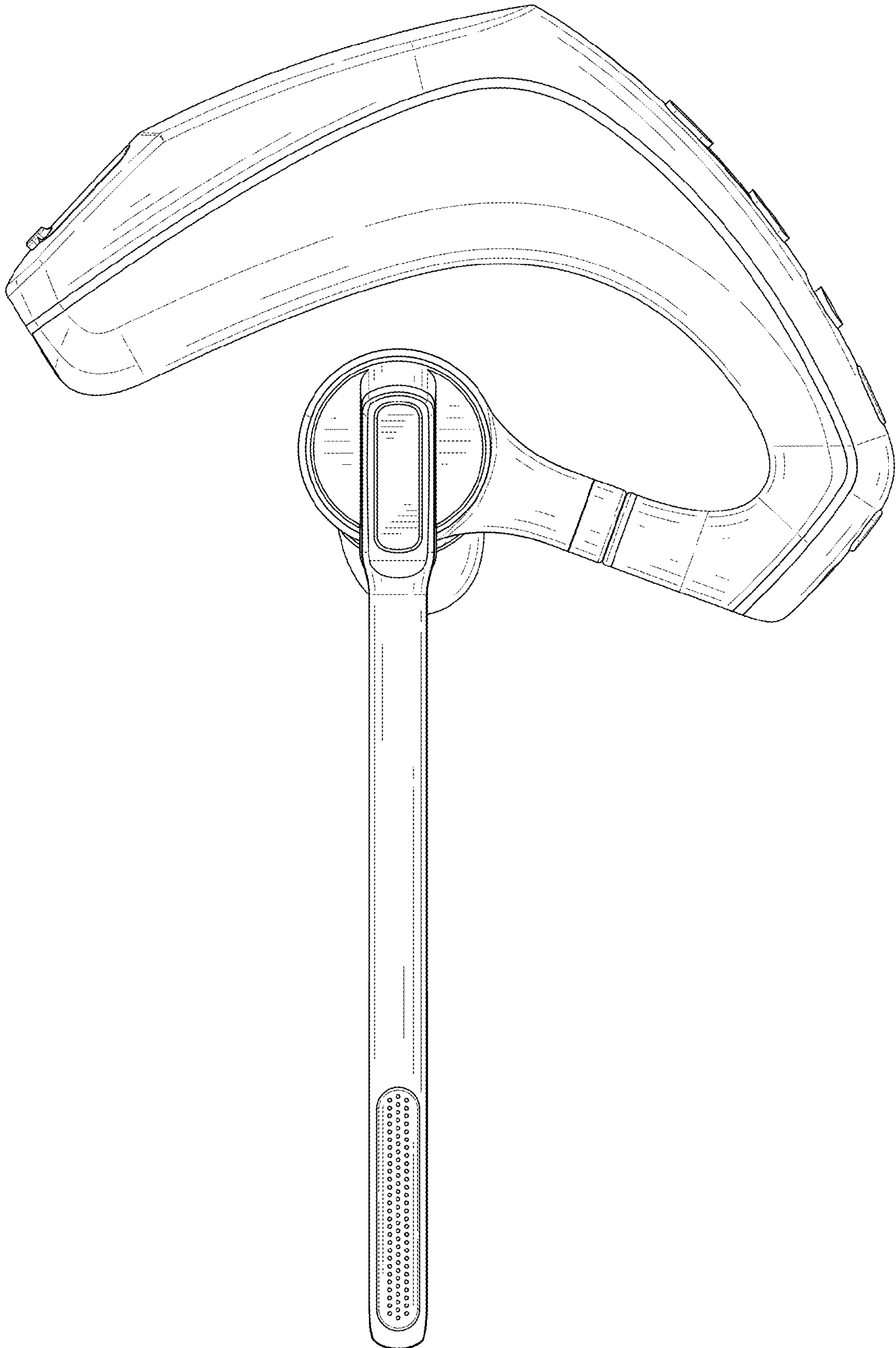


FIG. 3

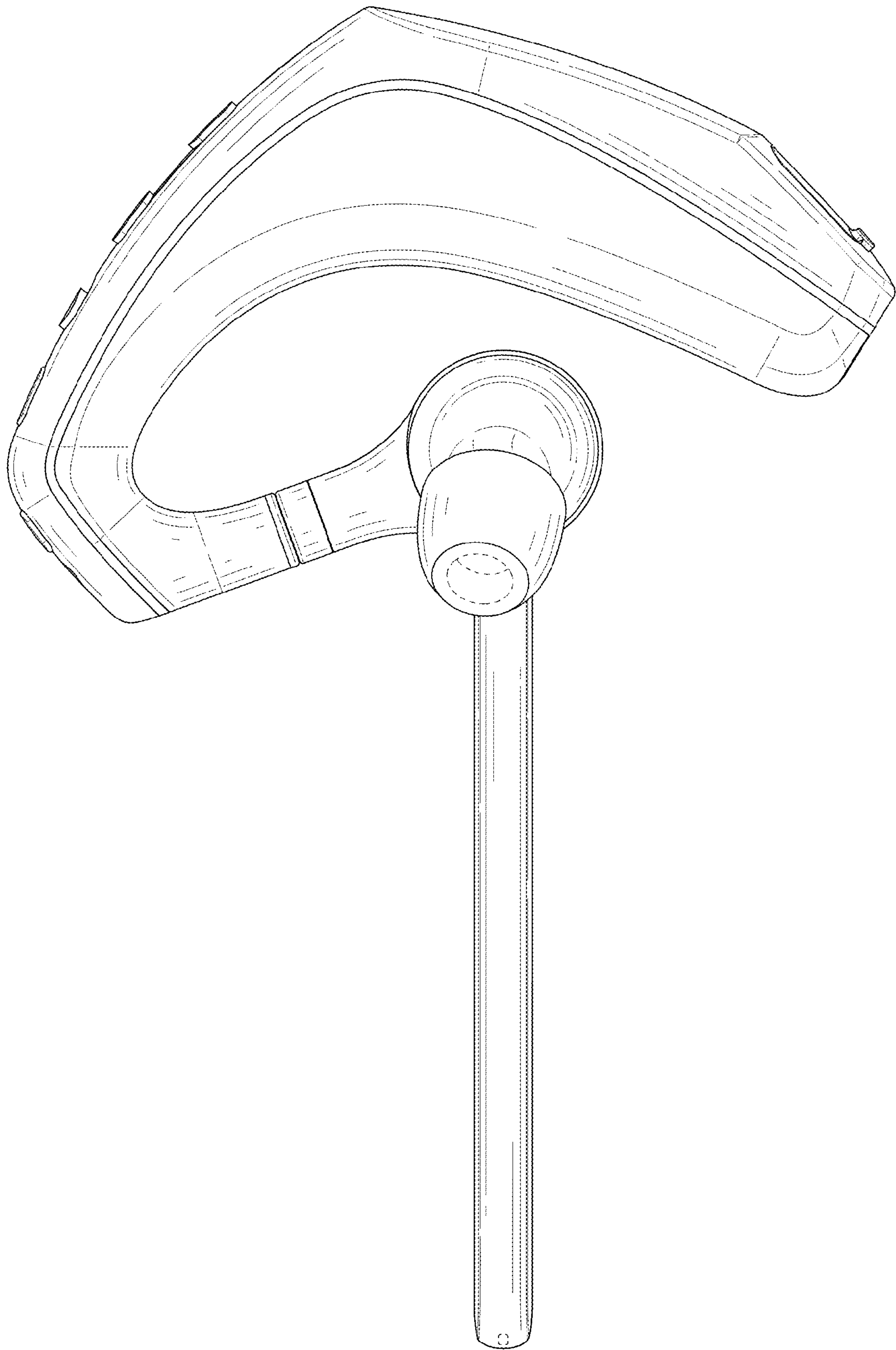


FIG. 4

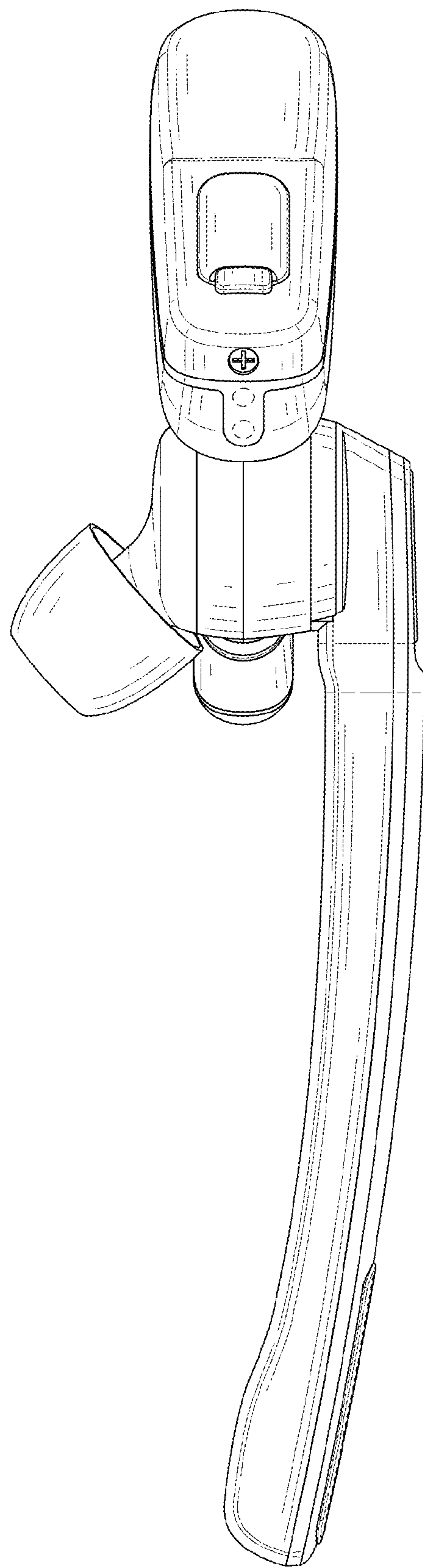


FIG. 5

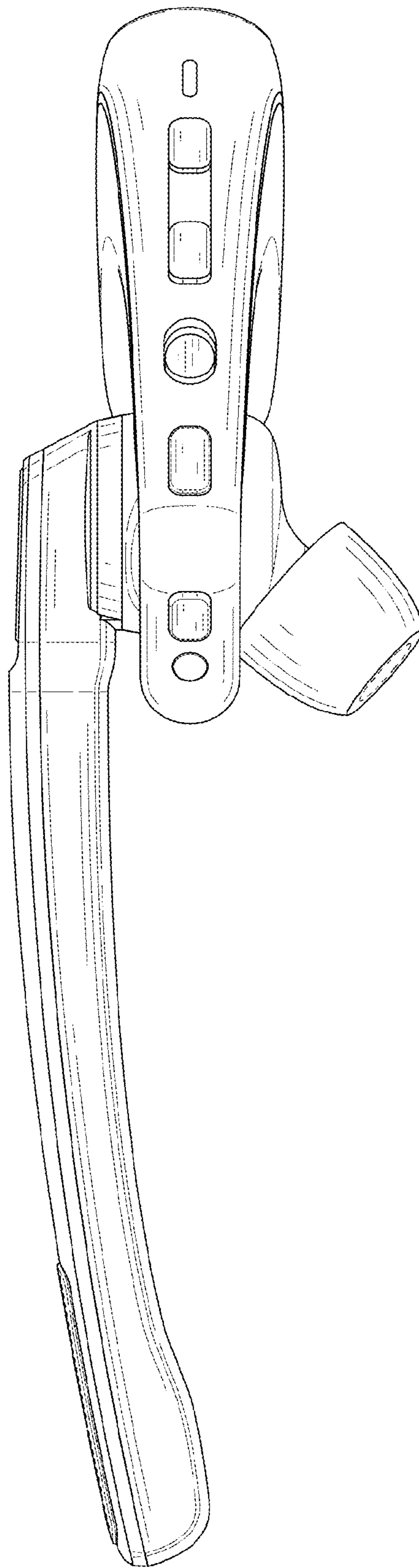


FIG. 6

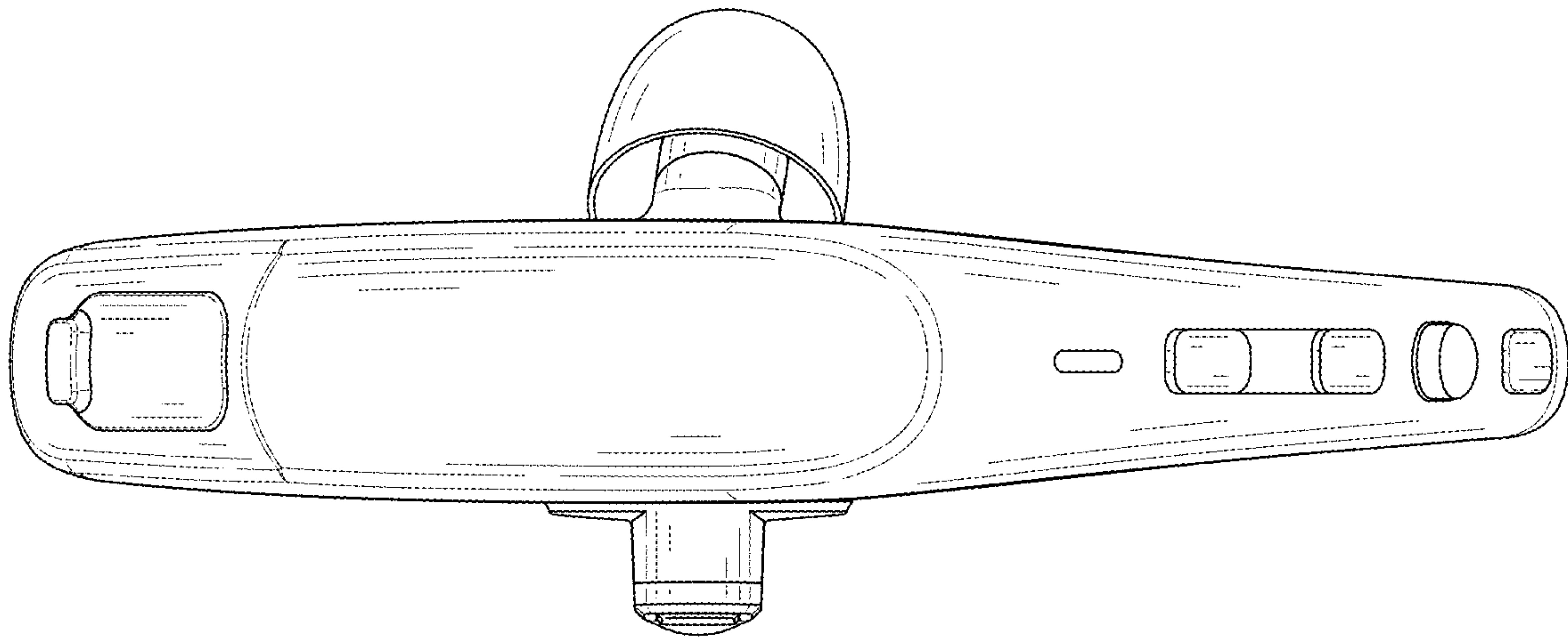


FIG. 7

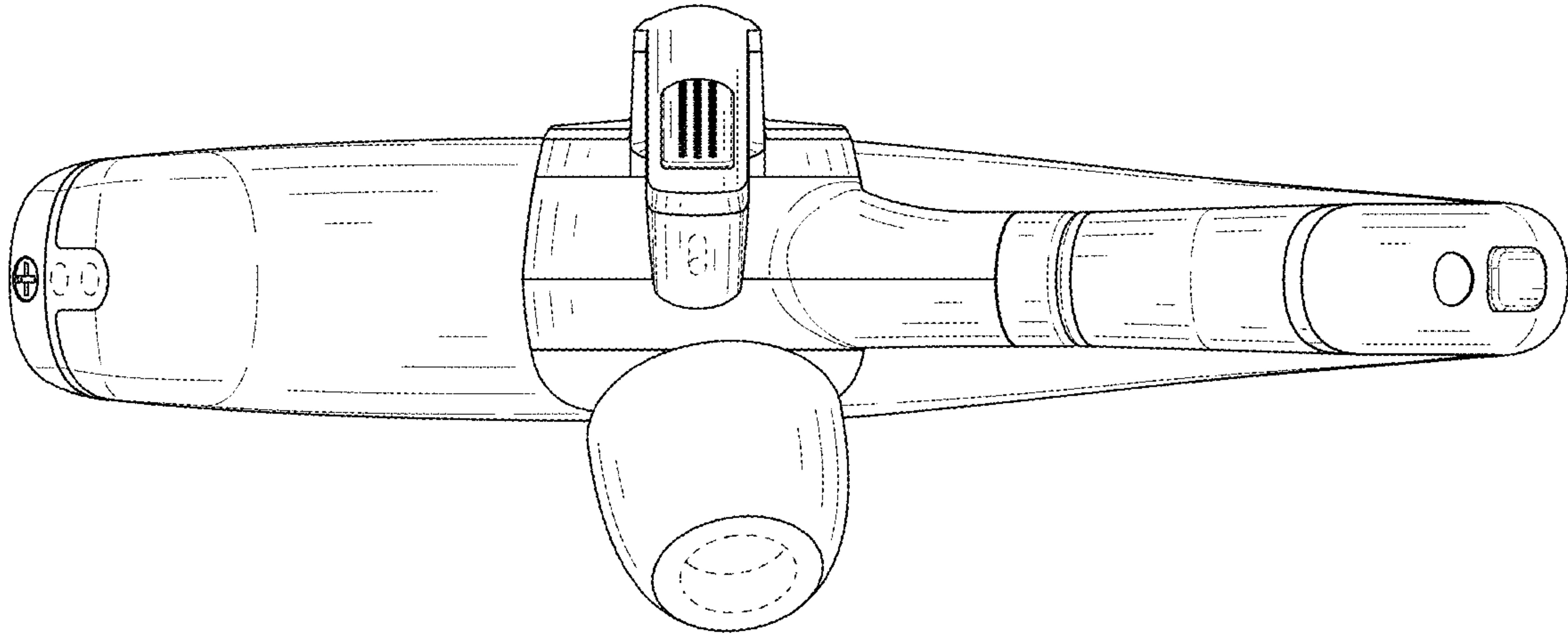


FIG. 8

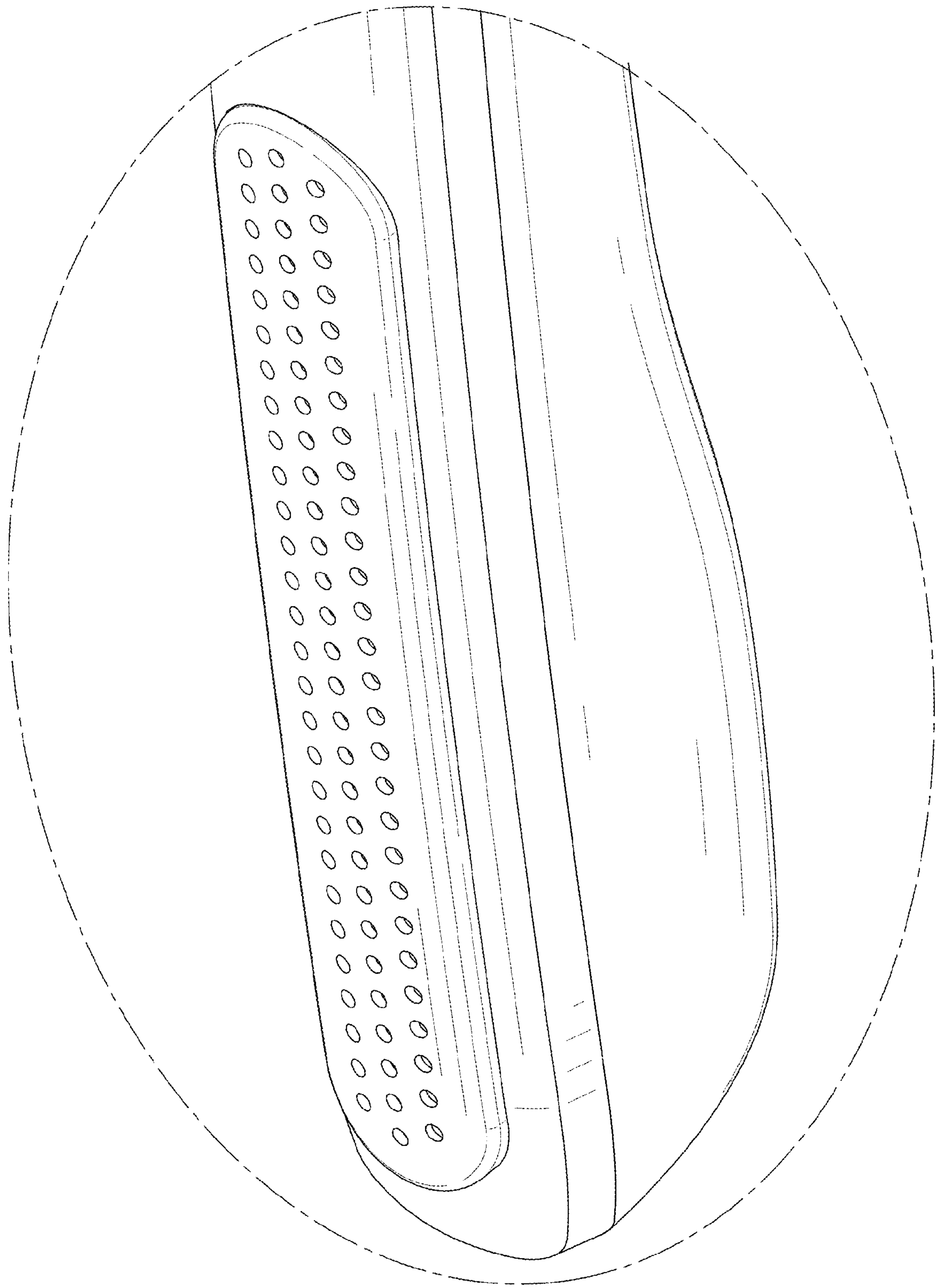


FIG. 9