



US00D916047S

(12) **United States Design Patent**
Xiao

(10) **Patent No.:** **US D916,047 S**

(45) **Date of Patent:** **** Apr. 13, 2021**

(54) **GAMING HEADPHONES**

(71) Applicant: **BEIJING XIAOMI MOBILE SOFTWARE CO., LTD.**, Beijing (CN)

(72) Inventor: **Yanlin Xiao**, Beijing (CN)

(73) Assignee: **BEIJING XIAOMI MOBILE SOFTWARE CO., LTD.**, Beijing (CN)

(**) Term: **15 Years**

(21) Appl. No.: **35/507,788**

(22) Filed: **Sep. 27, 2018**

(80) **Hague Agreement Data**

Int. Filing Date: **Sep. 27, 2018**

Int. Reg. No.: **DM/203924**

Int. Reg. Date: **Sep. 27, 2018**

Int. Reg. Pub. Date: **Nov. 15, 2019**

(30) **Foreign Application Priority Data**

Mar. 27, 2018 (CN) 201830117237.7

(51) **LOC (13) Cl.** **14-01**

(52) **U.S. Cl.**
USPC **D14/205**

(58) **Field of Classification Search**

USPC D14/205–206, 223, 226, 192

CPC H04R 1/10; H04R 1/1016; H04R 1/1066;
H04R 1/105; H04R 5/033; H04R 5/0335

See application file for complete search history.

(56) **References Cited**

U.S. PATENT DOCUMENTS

D663,717 S * 7/2012 Hutchieson D14/206
D678,859 S * 3/2013 Lee D14/205
D695,263 S * 12/2013 Mogili D14/205
D712,871 S * 9/2014 McNamara D14/205
D721,055 S * 1/2015 Sparks D14/206
D722,041 S * 2/2015 Sparks D14/206

D724,562 S * 3/2015 Sparks D14/206
D727,288 S * 4/2015 Yamasaki D14/205
D732,001 S * 6/2015 Licht D14/205
D738,850 S * 9/2015 Chung D14/205
D739,842 S * 9/2015 Birger D14/205

(Continued)

OTHER PUBLICATIONS

Sound Guys, Best Bluetooth Earbuds of 2017. Posted at Android Authority, posting date Nov. 8, 2017. Site visited May 8, 2020. URL: <<https://www.androidauthority.com/best-bluetooth-earbuds-2017-813325/>> (Year: 2017).*

(Continued)

Primary Examiner — George D. Kirschbaum

Assistant Examiner — Kathleen L Jones

(74) *Attorney, Agent, or Firm* — Amster, Rothstein & Ebenstein LLP

(57) **CLAIM**

The ornamental design for gaming headphones, as shown and described.

DESCRIPTION

1. Gaming headphones

1.1 : Front

1.2 : Back

1.3 : Left

1.4 : Right

1.5 : Top

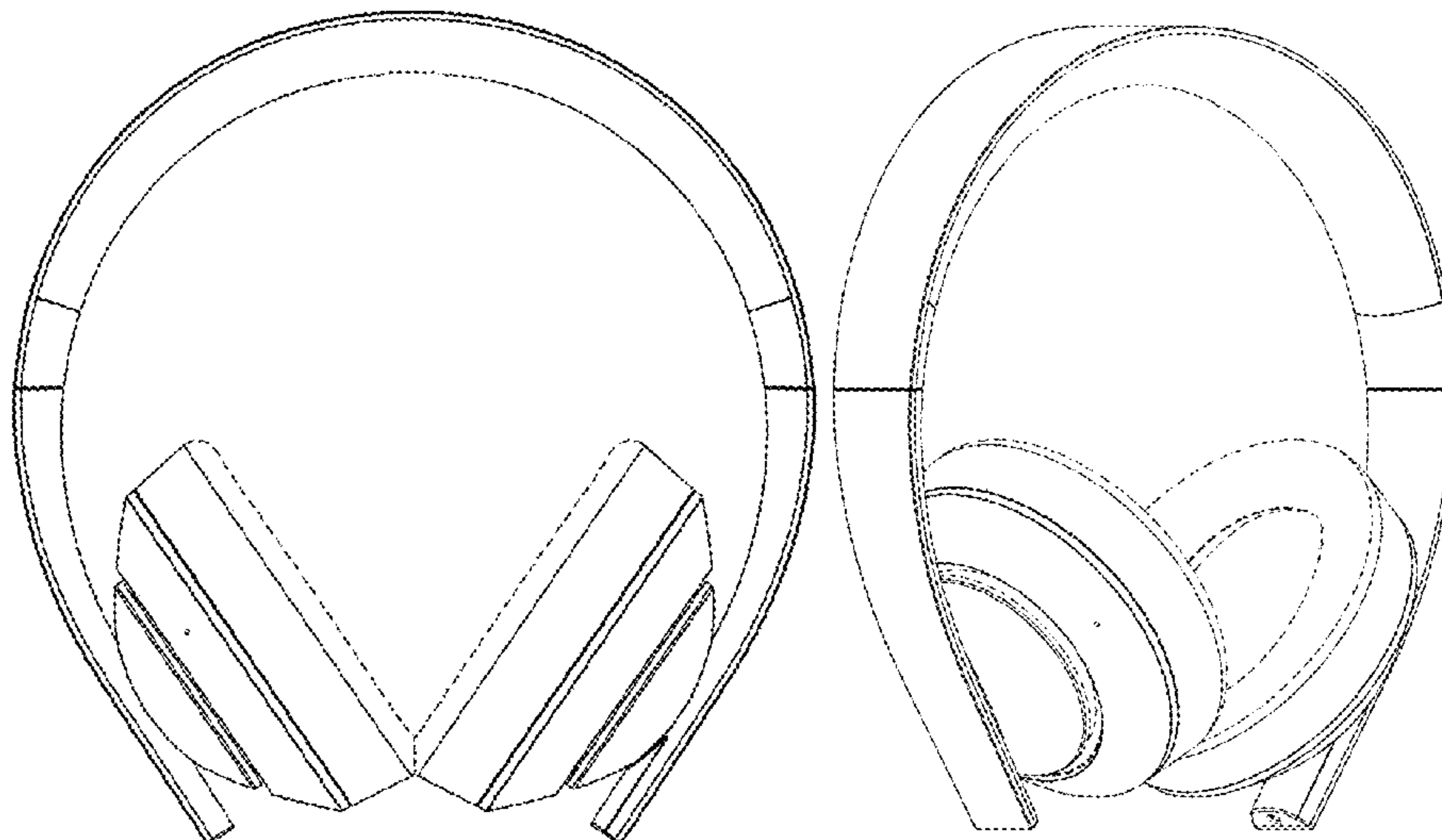
1.6 : Bottom

1.7 : Perspective

1.1. is a front elevation view of gaming headphones showing our new design; 1.2 is a back elevation view thereof; 1.3 is a left side elevation view thereof; 1.4 is a right side elevation view thereof; 1.5 is a top plan view thereof; 1.6 is a bottom plan view thereof; and 1.7 is a perspective view thereof.

The broken lines shown in the drawings depict portions that form no part of the claimed design.

1 Claim, 7 Drawing Sheets



(56)

References Cited

U.S. PATENT DOCUMENTS

D740,254 S * 10/2015 Huang D14/205
 D747,291 S * 1/2016 Lee D14/205
 D758,991 S * 6/2016 Petersen D14/205
 D769,841 S * 10/2016 Sahlen D14/205
 D769,842 S * 10/2016 Rouffiat D14/205
 D784,957 S * 4/2017 Hsieh D14/205
 D800,092 S * 10/2017 Paterson D14/206
 D806,674 S * 1/2018 Zhang D14/205
 D808,361 S * 1/2018 Sumii D14/205
 D811,362 S * 2/2018 Petersen D14/205
 D824,362 S * 7/2018 Probst D14/206
 D838,687 S * 1/2019 Wu D14/205
 D840,969 S * 2/2019 Dryden D14/205
 D840,971 S * 2/2019 Summerson D14/205
 D840,973 S * 2/2019 Dryden D14/205
 D872,049 S * 1/2020 Saule D14/205
 D872,706 S * 1/2020 Takubo D14/205
 10,681,444 B2 * 6/2020 Kamimura H04R 1/1066
 D892,079 S * 8/2020 Wu D14/205
 D896,201 S * 9/2020 Roberts D14/205

D899,401 S * 10/2020 Smiechowski D14/205
 D904,340 S * 12/2020 Law D14/205
 D904,341 S * 12/2020 He D14/206
 D907,003 S * 1/2021 Liu D14/205

OTHER PUBLICATIONS

Xiao, Beijing Xiaomi Mobile Software Co Ltd., Chinese design No. 305041515, published at Orbit, publication date Feb. 19, 2019, Site visited May 8, 2020. Available from Internet. (Year: 2019).*

Shenzhen Initiative Technology Co. Ltd., European design No. 003325240-0001, published at DesignVision, publication date Aug. 10, 2016. Site visited May 8, 2020. Available from Internet. (Year: 2016).*

Sony Interact Entertainment Inc., Russian design No. 2016505061, published at DesignVision, publication date Sep. 7, 2017. Site visited May 8, 2020. Available from Internet. (Year: 2017).*

Bisset, Jennifer, Best headphones for 2018, posted at CNET, publication date Jun. 3, 2018. Site visited May 8, 2020. URL: <<https://www.cnet.com/pictures/best-headphones-for-2018/>> (Year: 2018).*

* cited by examiner

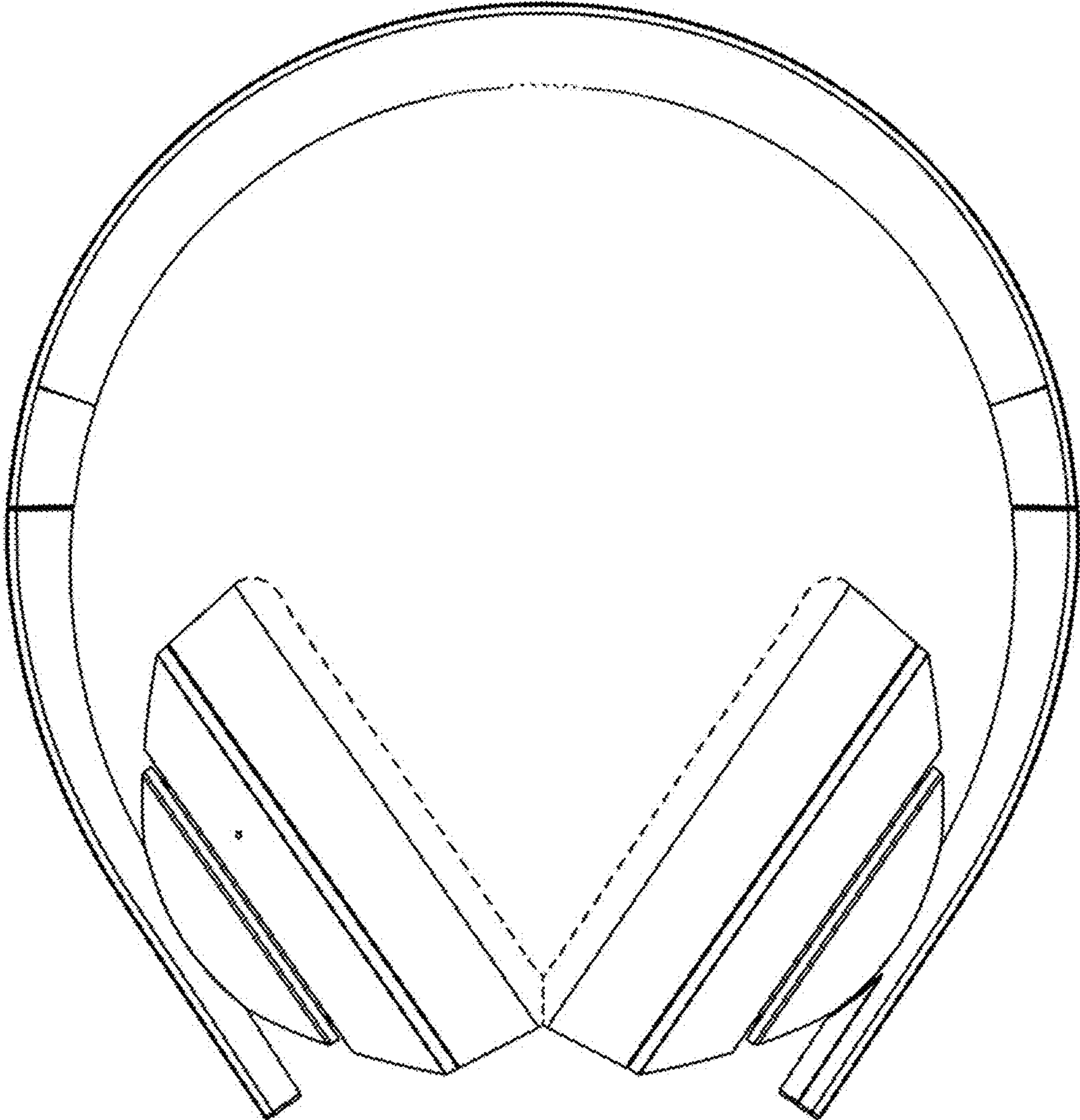


FIG. 1.1

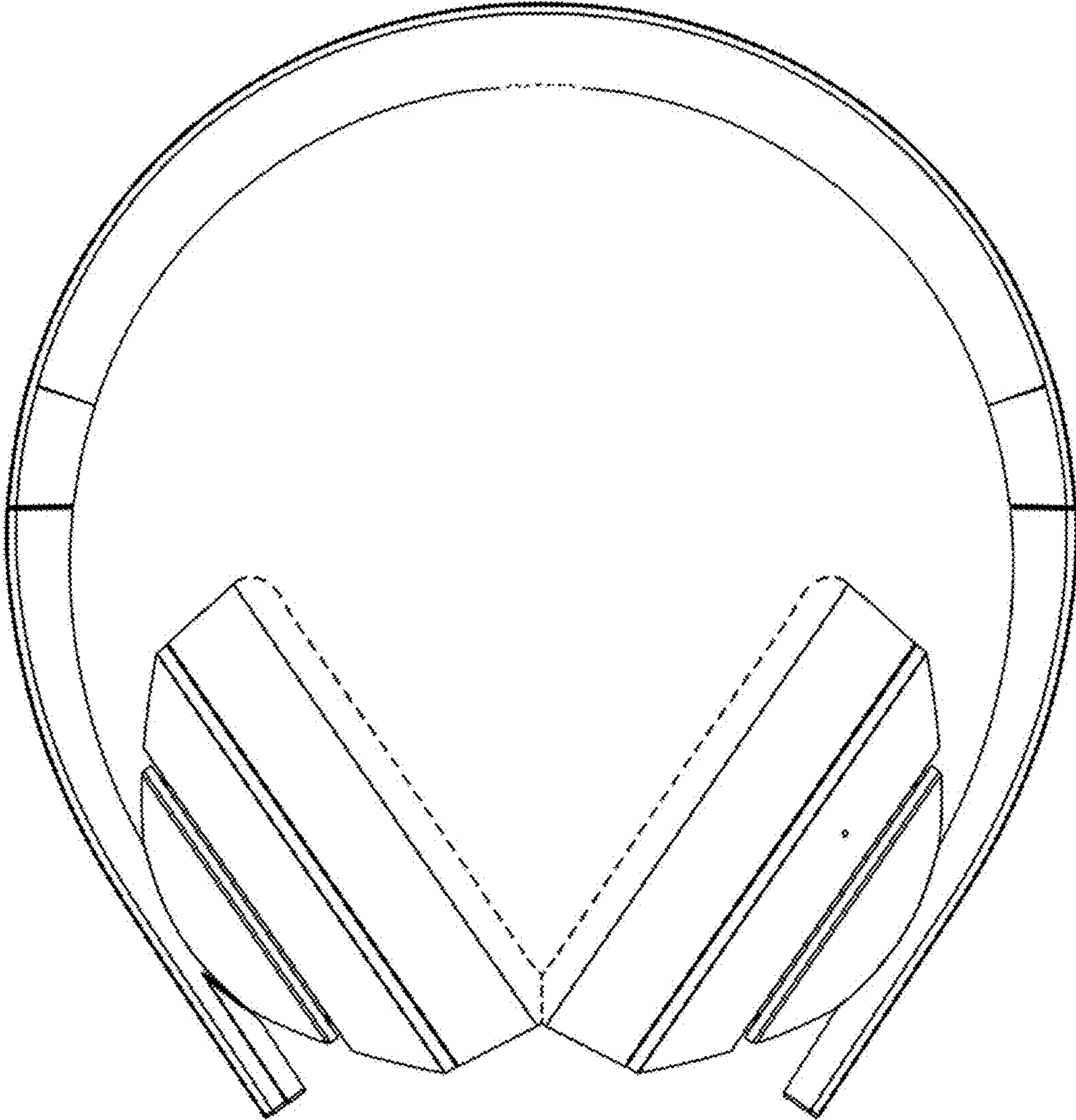


FIG. 1.2

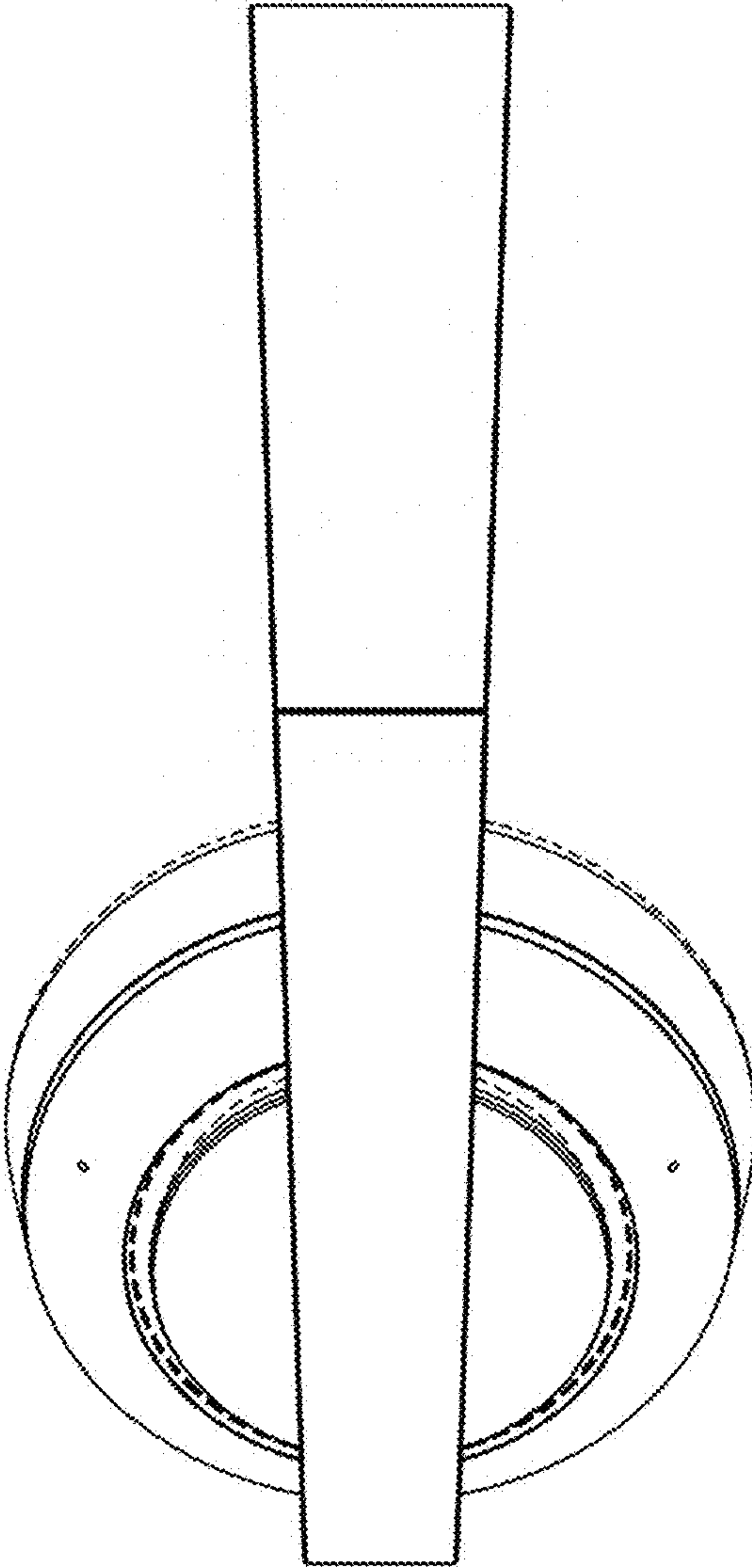


FIG. 1.3

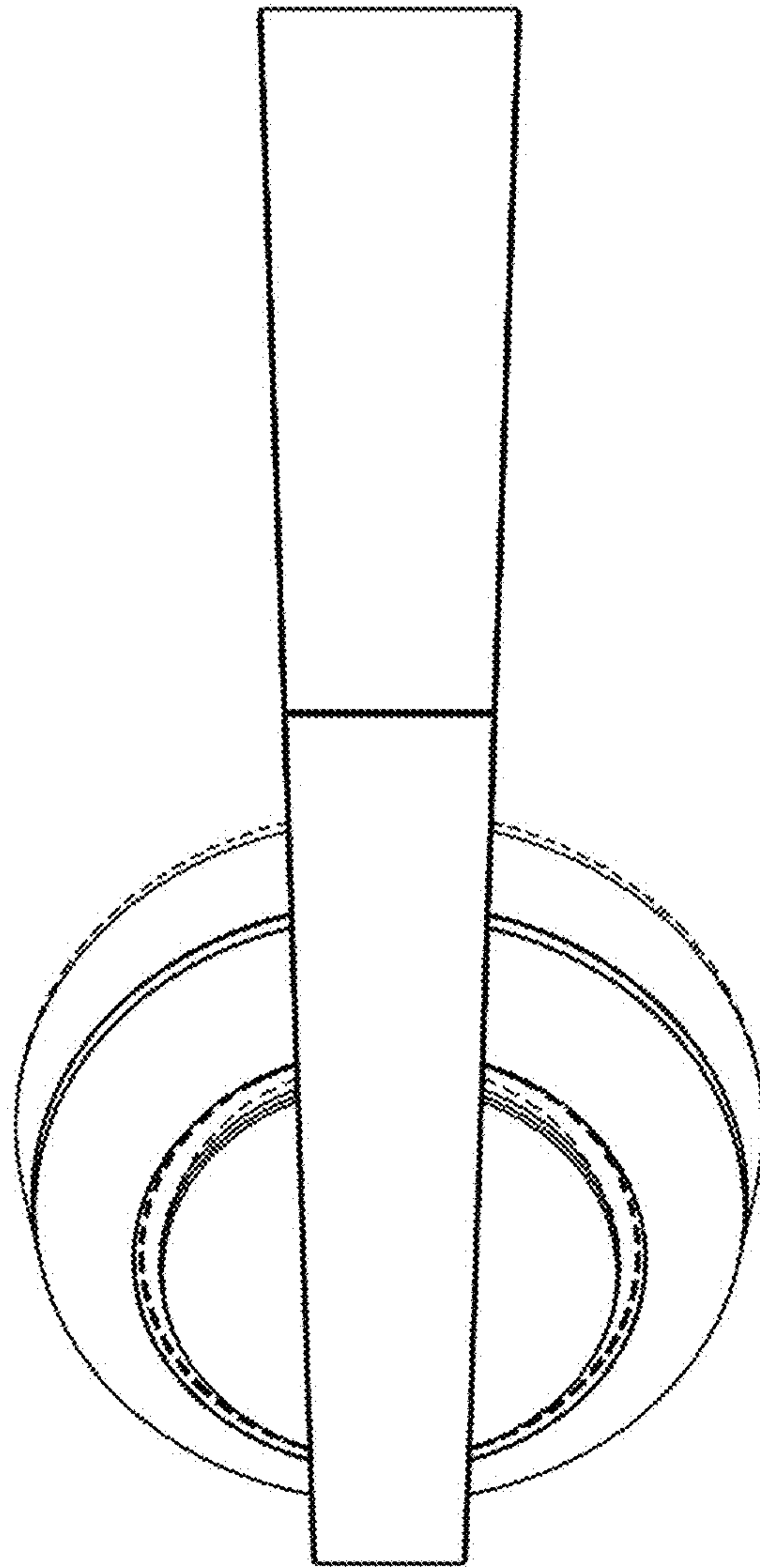


FIG. 1.4

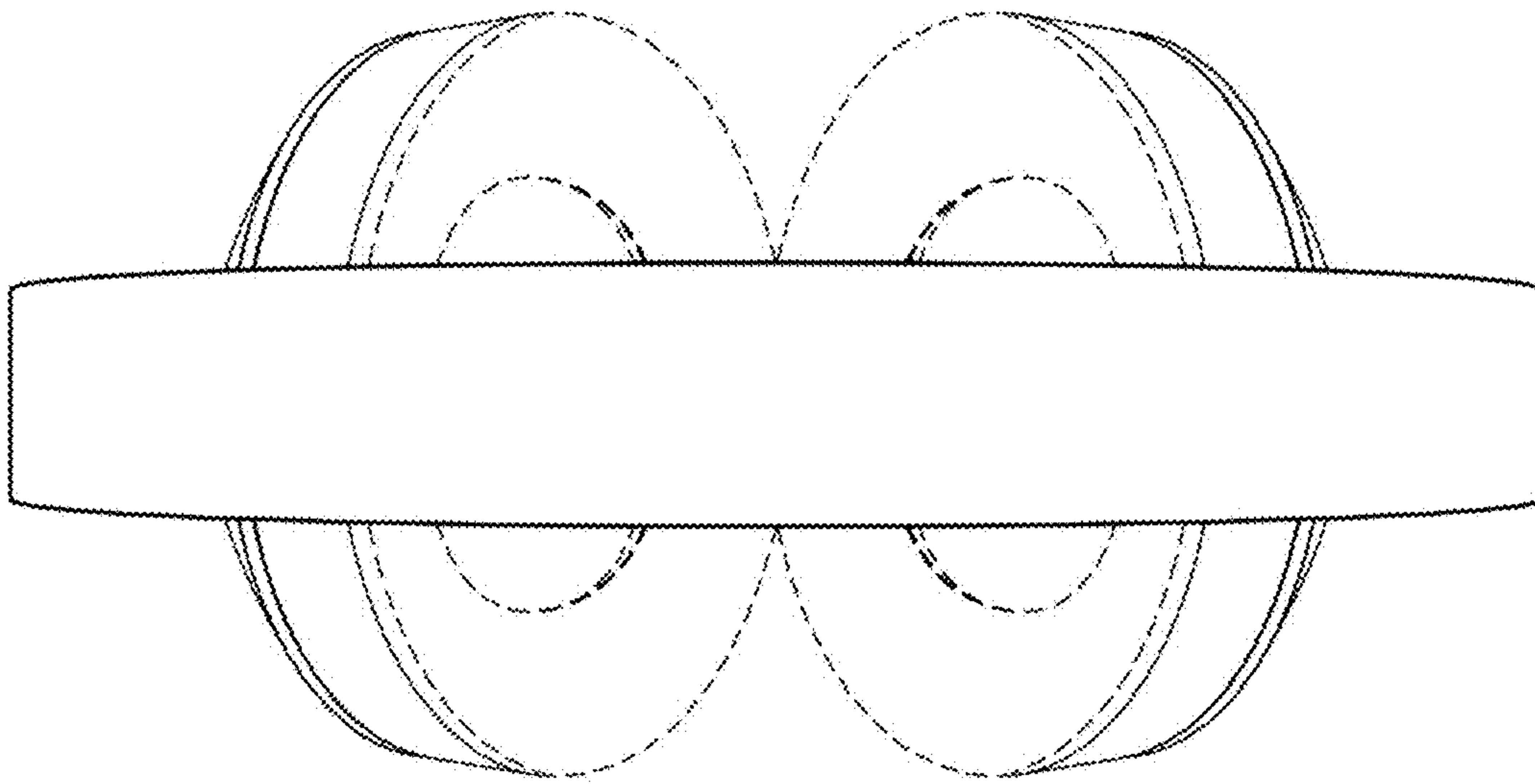


FIG. 1.5

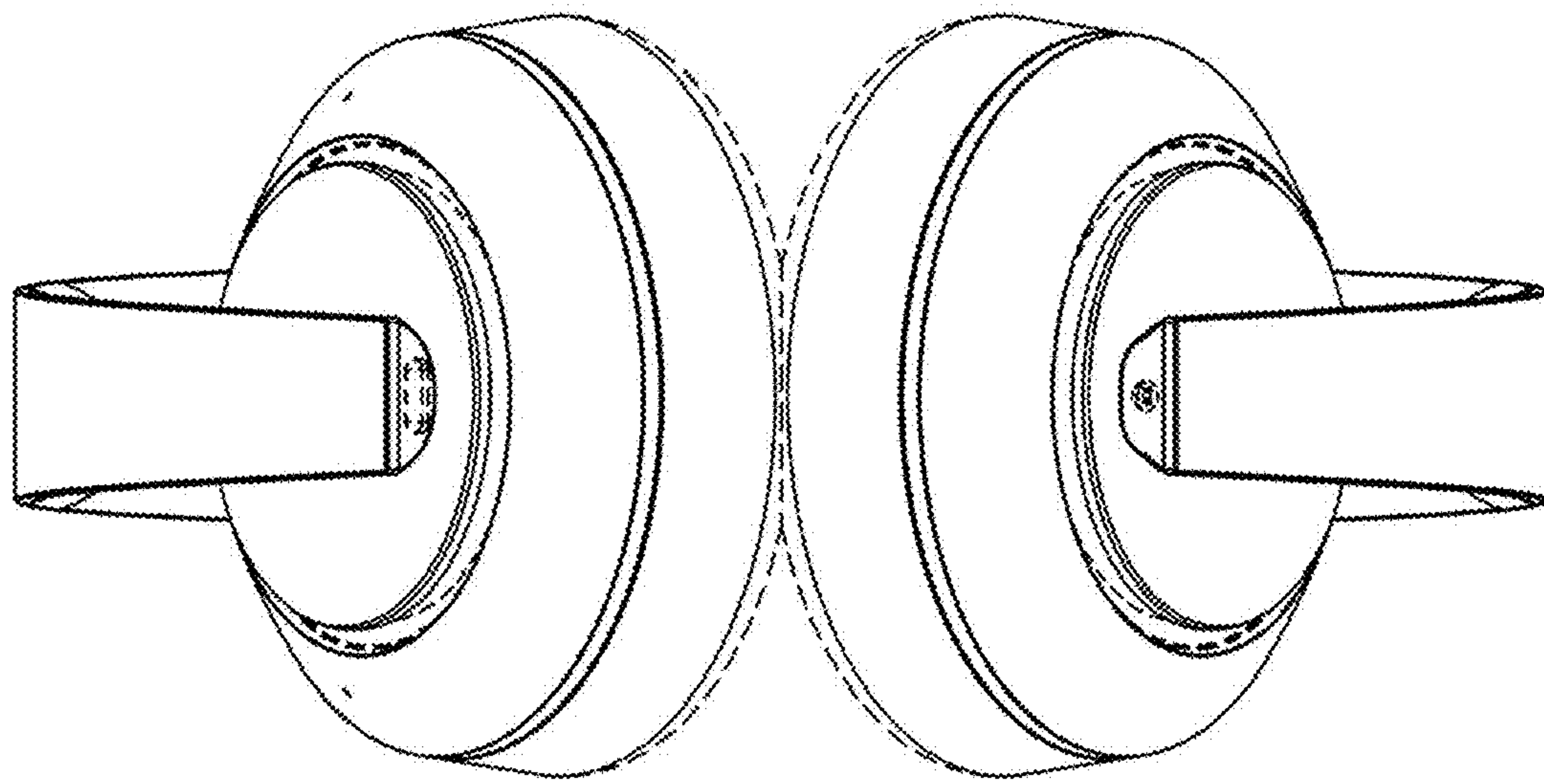


FIG. 1.6

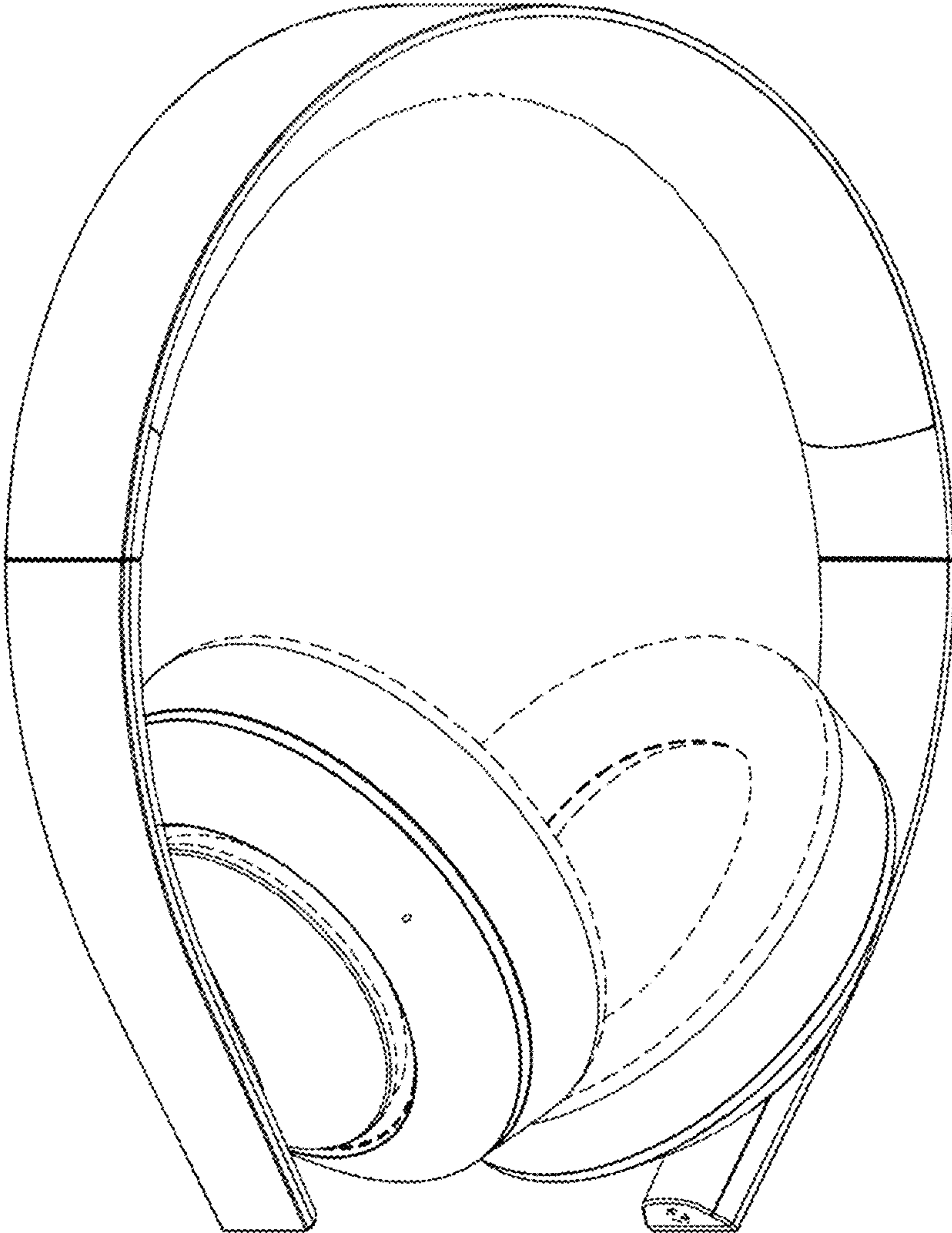


FIG. 1.7