



US00D916042S

(12) **United States Design Patent** (10) **Patent No.:** **US D916,042 S**
Lim et al. (45) **Date of Patent:** **** Apr. 13, 2021**

(54) **TELEVISION APPARATUS**
(71) Applicant: **LG ELECTRONICS INC.,** Seoul (KR)
(72) Inventors: **Jaewon Lim,** Seoul (KR); **Yongho Lee,** Seoul (KR); **Kyeongchul Cho,** Seoul (KR)
(73) Assignee: **LG ELECTRONICS INC.,** Seoul (KR)
(**) Term: **15 Years**
(21) Appl. No.: **35/507,534**
(22) Filed: **Feb. 27, 2019**
(80) **Hague Agreement Data**
Int. Filing Date: **Feb. 27, 2019**
Int. Reg. No.: **DM/203456**
Int. Reg. Date: **Feb. 27, 2019**
Int. Reg. Pub. Date: **Oct. 25, 2019**

(30) **Foreign Application Priority Data**
Aug. 31, 2018 (KR) 30-2018-0040687
(51) **LOC (13) Cl.** **14-03**
(52) **U.S. Cl.**
USPC **D14/126**
(58) **Field of Classification Search**
USPC D6/300, 308, 310, 642, 643, 650.1, D6/653.15, 654.15, 657, 661, 675; D14/125, 126, 127, 128, 129, 132, 336, D14/341, 373, 374, 375, 376, 377; D16/229, 235, 241
CPC G06F 1/1601; G06F 1/1605; G06F 1/162
See application file for complete search history.

(56) **References Cited**
U.S. PATENT DOCUMENTS
D682,231 S * 5/2013 Lee D14/126
D682,234 S * 5/2013 Lee D14/126

D692,403 S * 10/2013 Takami D14/126
D709,044 S * 7/2014 Takami D14/126
D714,746 S * 10/2014 Euseok D14/126
D715,244 S * 10/2014 Jang D14/126
D715,754 S * 10/2014 Jang D14/126
D731,451 S * 6/2015 Choi D14/126
D732,492 S * 6/2015 Lee D14/126
D738,333 S * 9/2015 Yoo D14/126
D738,335 S * 9/2015 Shin D14/126
D742,344 S * 11/2015 Kim D14/126
D769,837 S * 10/2016 Kim D14/126
D805,488 S * 12/2017 Dry D14/126
D805,489 S * 12/2017 Dry D14/126
D813,184 S * 3/2018 Lee D14/126
D819,585 S * 6/2018 Kang D14/126
D822,632 S * 7/2018 Lee D14/126
D828,818 S * 9/2018 Song D14/126

(Continued)

Primary Examiner — L. A. Grabenstetter
(74) *Attorney, Agent, or Firm* — Birch, Stewart, Kolasch & Birch, LLP

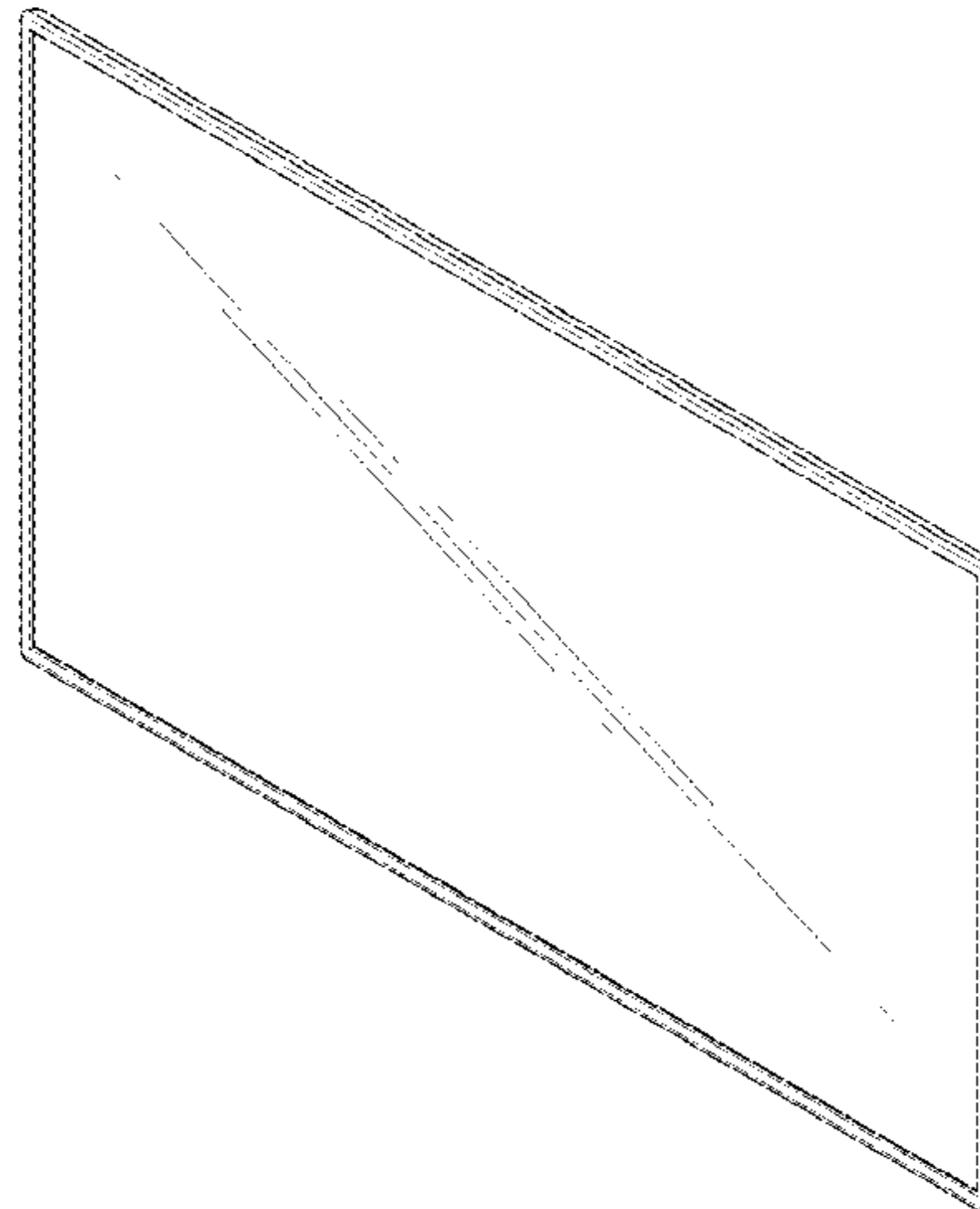
(57) **CLAIM**

The ornamental design for a television apparatus, as shown and described.

DESCRIPTION

1. Television apparatus
1.1 : Front perspective view
1.2 : Rear perspective view
1.3 : Front
1.4 : Back
1.5 : Left
1.6 : Right
1.7 : Top
1.8 : Bottom
1.9 : Second front perspective view shown in a condition of use
The broken lines indicate portions of the article that form no part of the claimed design.

1 Claim, 8 Drawing Sheets



(56)

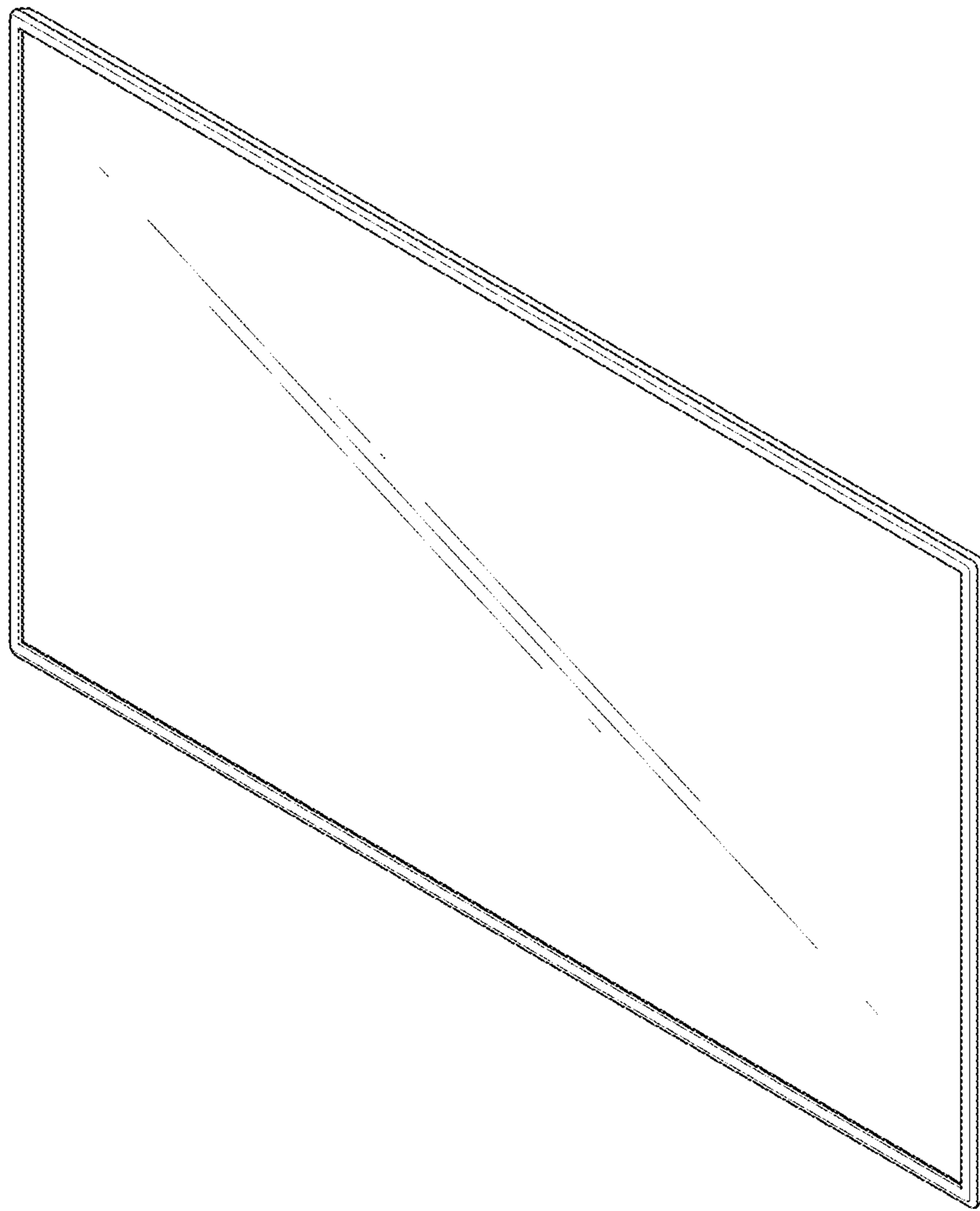
References Cited

U.S. PATENT DOCUMENTS

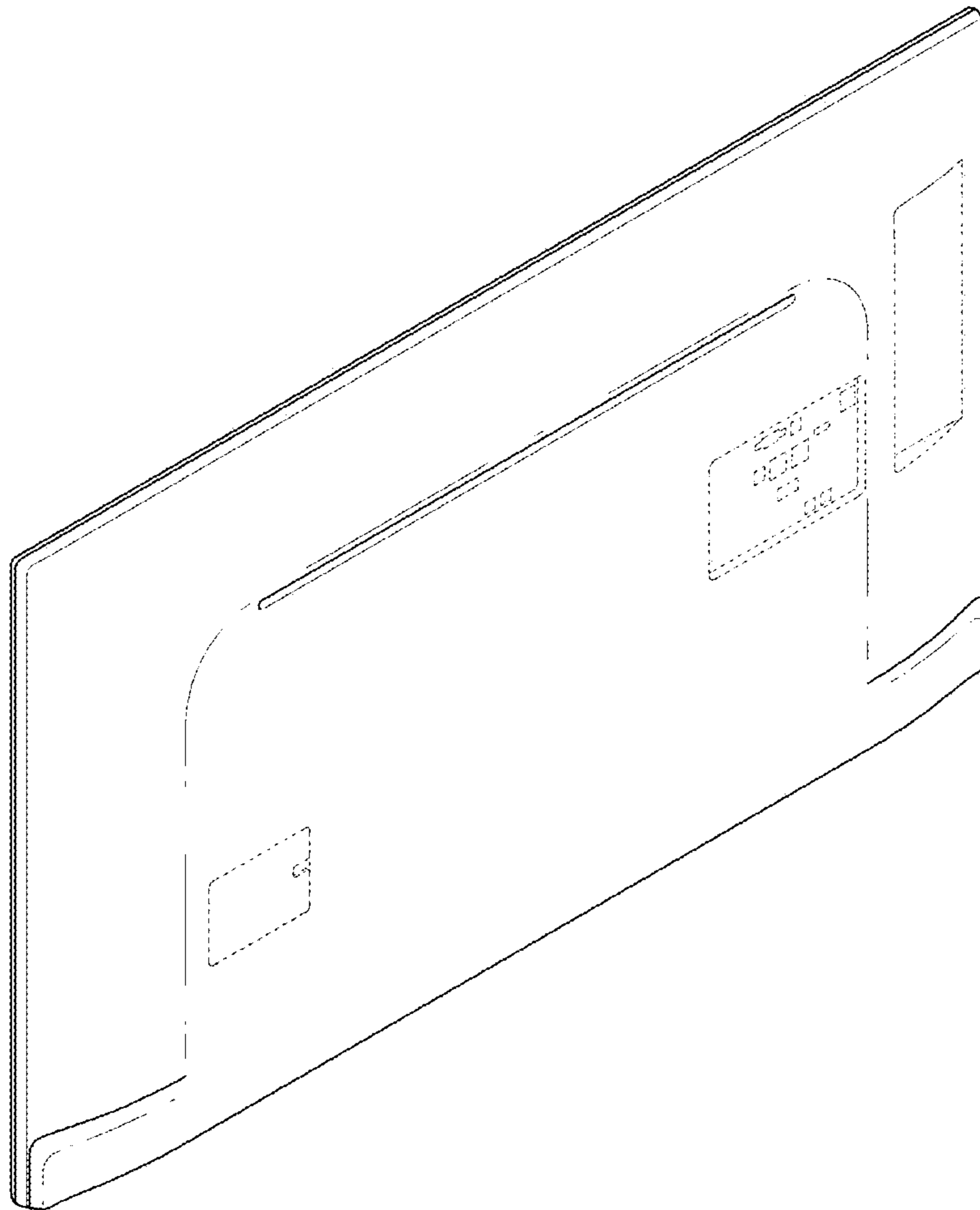
D841,609 S	*	2/2019	Kim	D14/126
D846,519 S	*	4/2019	McManigal	D14/126
D848,968 S	*	5/2019	Kim	D14/126
D860,961 S	*	9/2019	Kim	D14/126

* cited by examiner

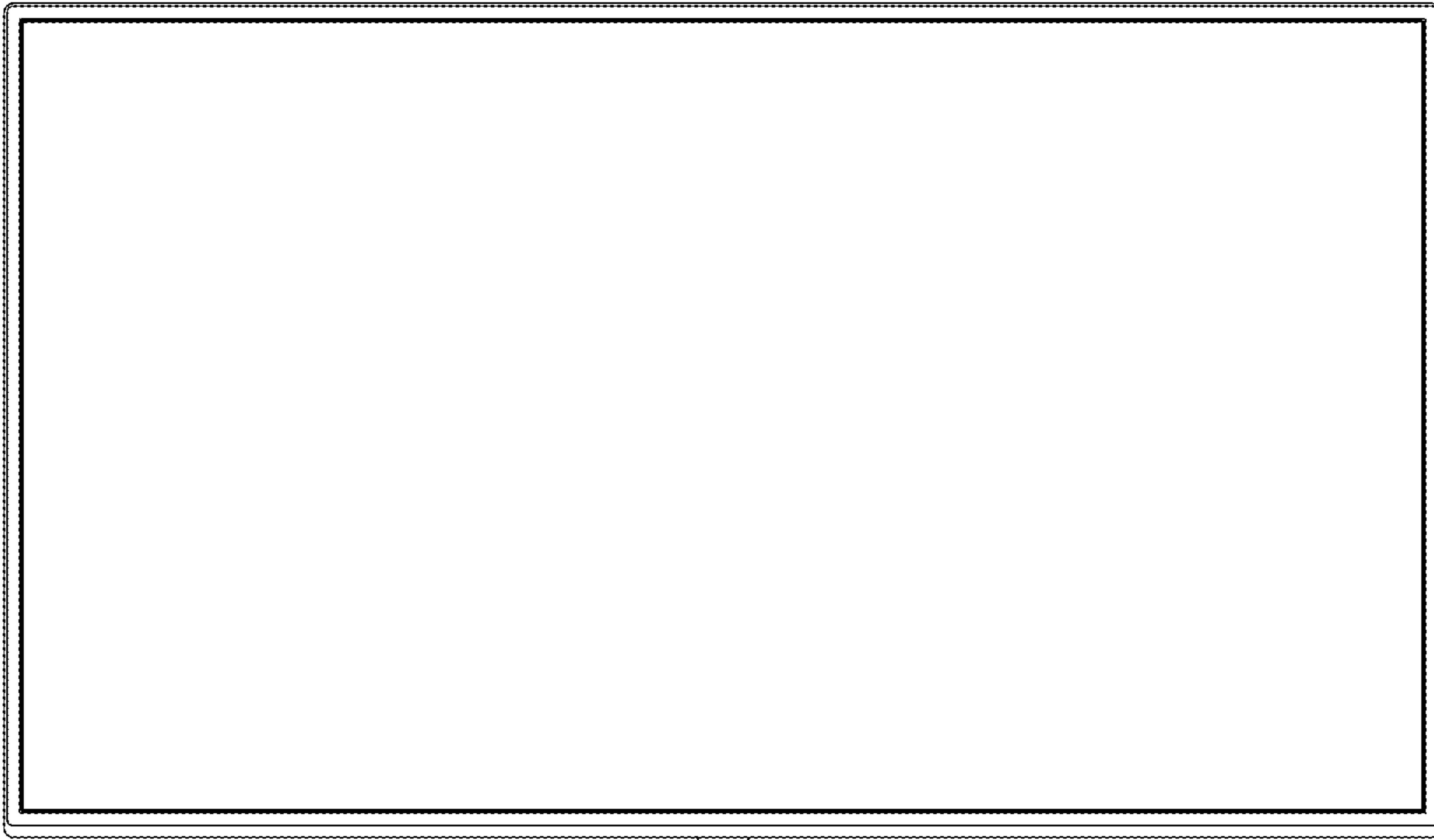
1.1



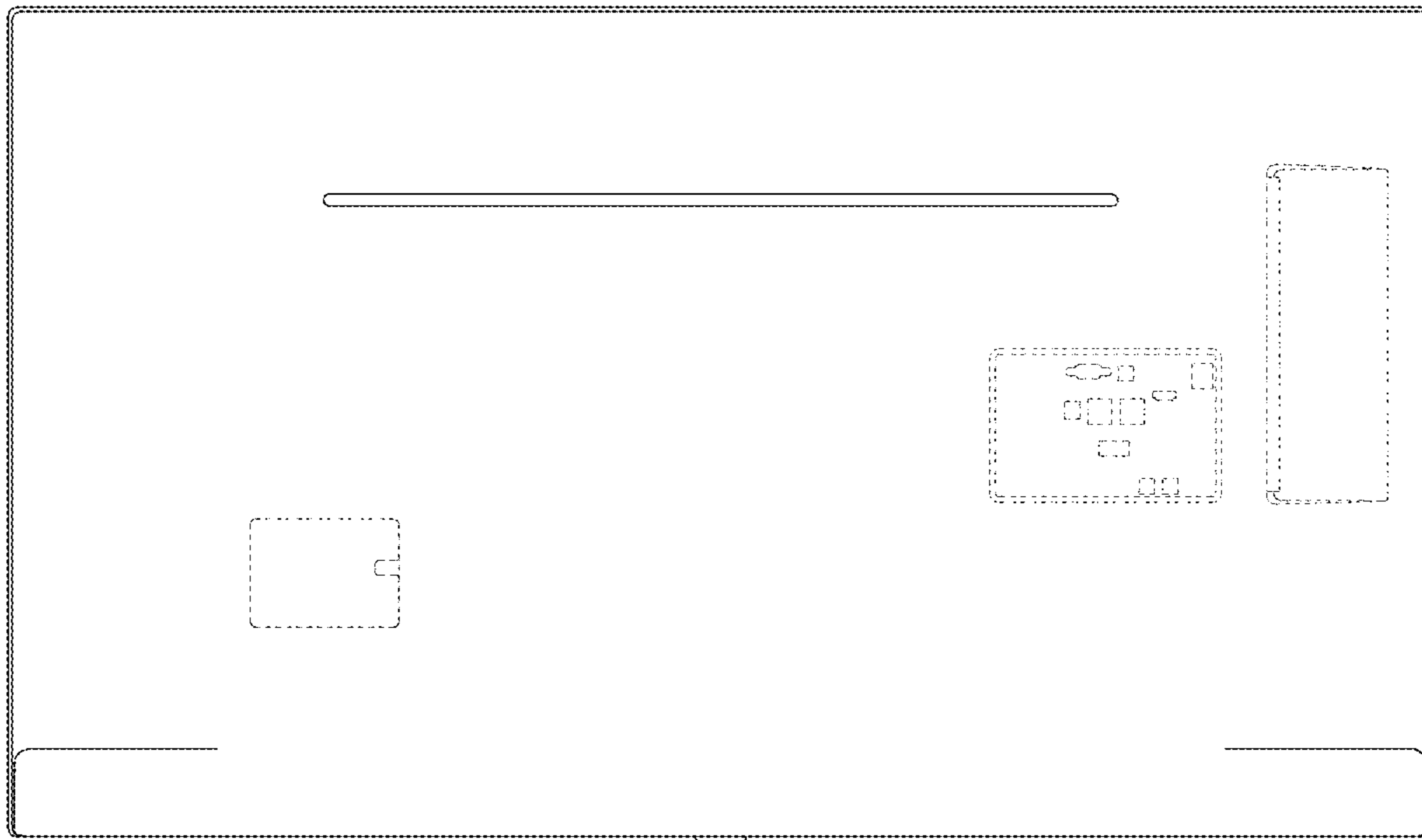
1.2



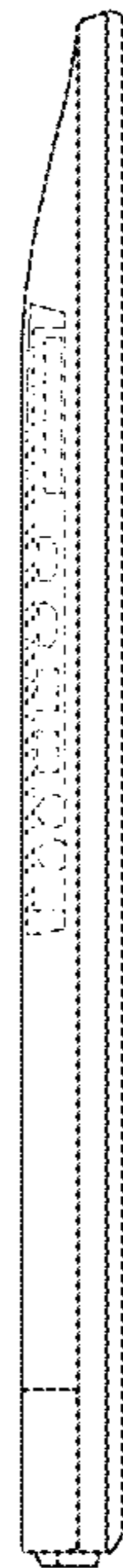
1.3



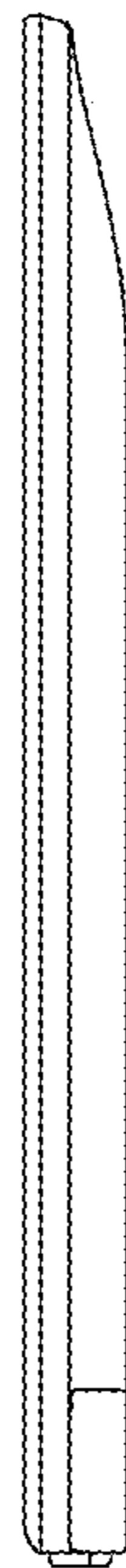
1.4



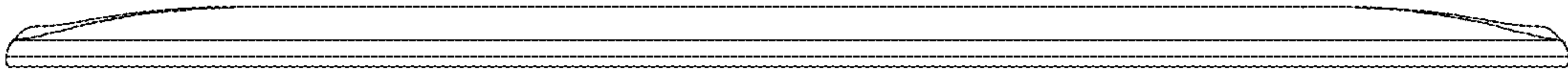
1.5



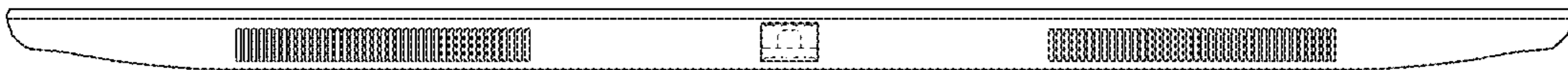
1.6



1.7



1.8



1.9

