



US00D916038S

(12) **United States Design Patent**  
**Watanabe**

(10) **Patent No.:** **US D916,038 S**

(45) **Date of Patent:** **\*\* Apr. 13, 2021**

(54) **GROUNDING ELECTRODE FOR A PLASMA PROCESSING APPARATUS**

(71) Applicant: **Hitachi High-Tech Corporation,**  
Tokyo (JP)

(72) Inventor: **Taku Watanabe,** Tokyo (JP)

(73) Assignee: **Hitachi High-Tech Corporation,**  
Tokyo (JP)

(\*\*) Term: **15 Years**

(21) Appl. No.: **29/706,143**

(22) Filed: **Sep. 18, 2019**

(30) **Foreign Application Priority Data**

Mar. 19, 2019 (JP) ..... 2019-005889

(51) **LOC (13) Cl.** ..... **13-03**

(52) **U.S. Cl.**  
USPC ..... **D13/182**

(58) **Field of Classification Search**  
USPC ..... D13/118, 119, 120, 121, 182, 183, 199;  
D14/435; D24/224, 225, 187, 168  
CPC ..... H01M 2/02; H01M 2/026; H01M 2/266;  
H01J 37/32623; H01J 37/32642; H01J  
37/32715; H01J 37/32733  
See application file for complete search history.

(56) **References Cited**

**U.S. PATENT DOCUMENTS**

6,265,094 B1 \* 7/2001 Pedicini ..... H01M 2/0255  
429/149  
D494,551 S \* 8/2004 Doba ..... D13/182

D556,704 S \* 12/2007 Nakamura ..... D13/182  
D699,200 S \* 2/2014 Nagakubo ..... D13/182  
D703,160 S \* 4/2014 Tanimura ..... D13/182  
D770,992 S \* 11/2016 Tauchi ..... D13/182  
D812,578 S \* 3/2018 Uemura ..... D13/182  
D830,435 S \* 10/2018 Wakisaka ..... D15/143  
D870,314 S \* 12/2019 Isozaki ..... D24/224  
D871,609 S \* 12/2019 Isozaki ..... D24/224  
D891,382 S \* 7/2020 Koppa ..... D13/182

\* cited by examiner

*Primary Examiner* — Jennifer O King

(74) *Attorney, Agent, or Firm* — Crowell & Moring LLP

(57) **CLAIM**

The ornamental design for a grounded electrode for a plasma processing apparatus, as shown and described.

**DESCRIPTION**

FIG. 1 is a front, top and right side perspective view of a grounded electrode for a plasma processing apparatus according to the design;

FIG. 2 is a rear, bottom and left side perspective view thereof;

FIG. 3 is a front elevational view thereof;

FIG. 4 is a rear elevational view thereof;

FIG. 5 is a right side elevational view thereof;

FIG. 6 is a left side elevational view thereof;

FIG. 7 is a top plan view thereof;

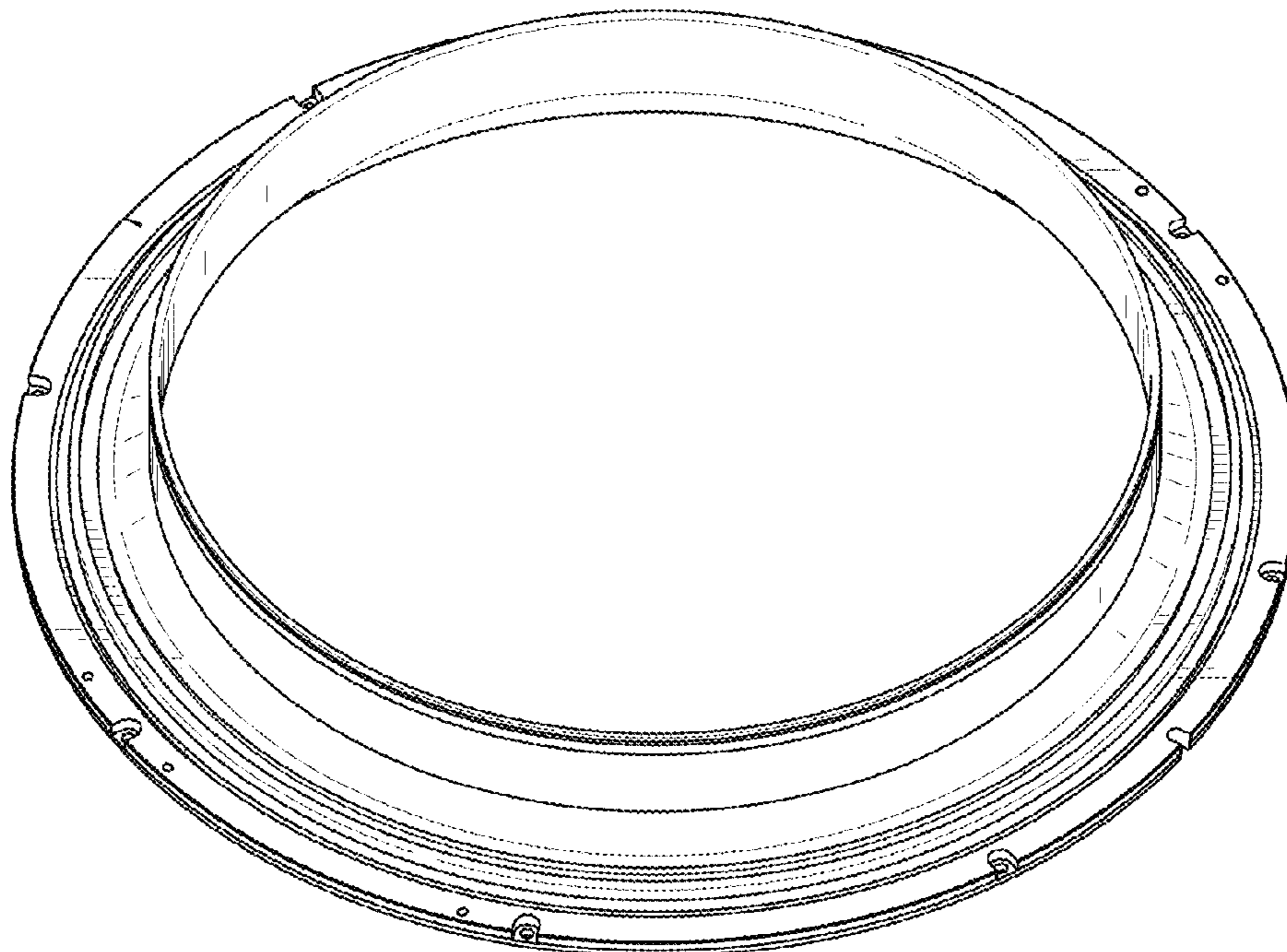
FIG. 8 is a bottom plan view thereof;

FIG. 9 is a cross-sectional view taken along line 9-9 of FIG. 7; and,

FIG. 10 is an enlarged view of the portion shown in BOX 10 in FIG. 9.

The broken lines show the boundary of enlarged portions and form no part of the claimed design.

**1 Claim, 5 Drawing Sheets**



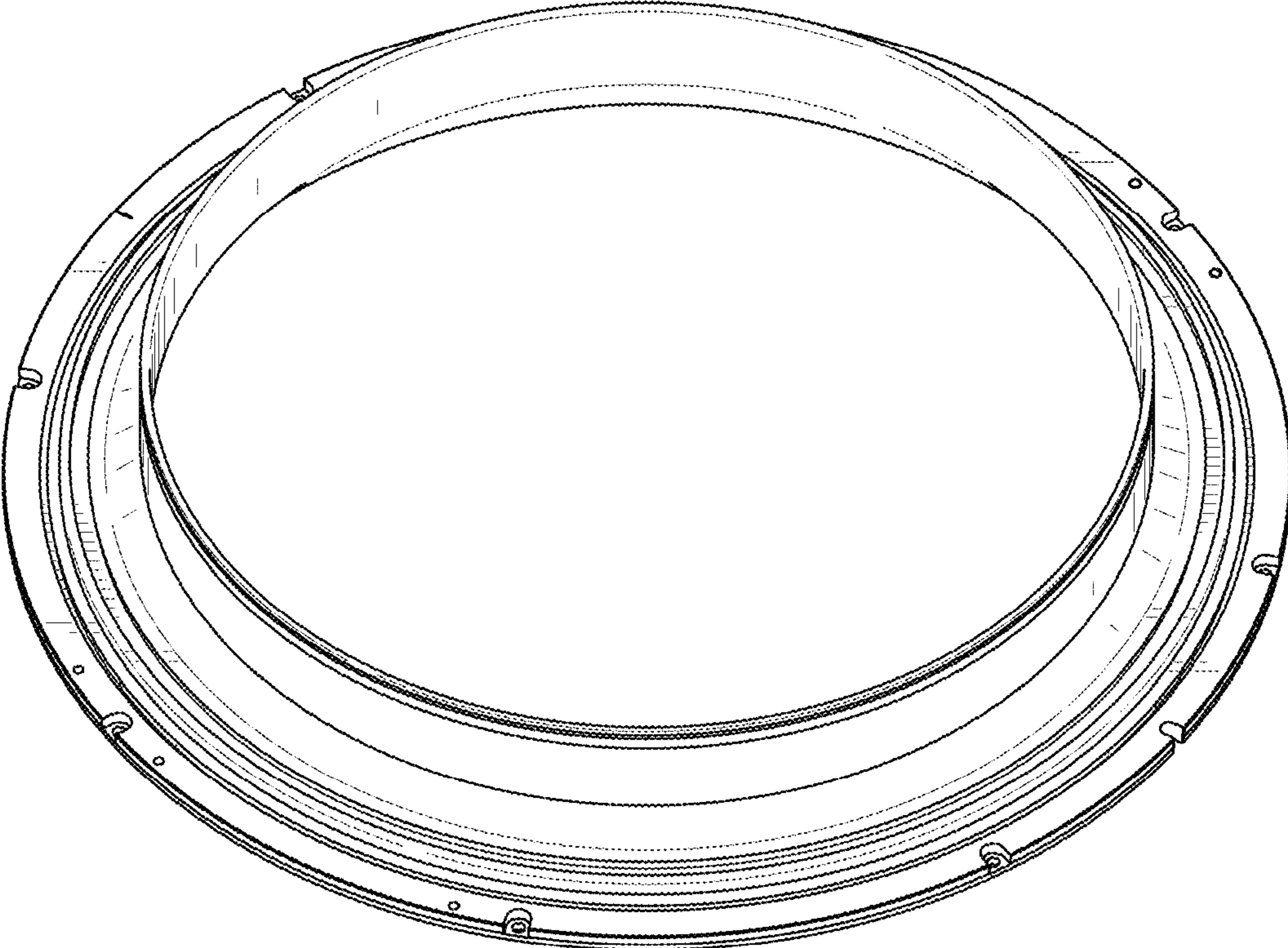


FIG. 1

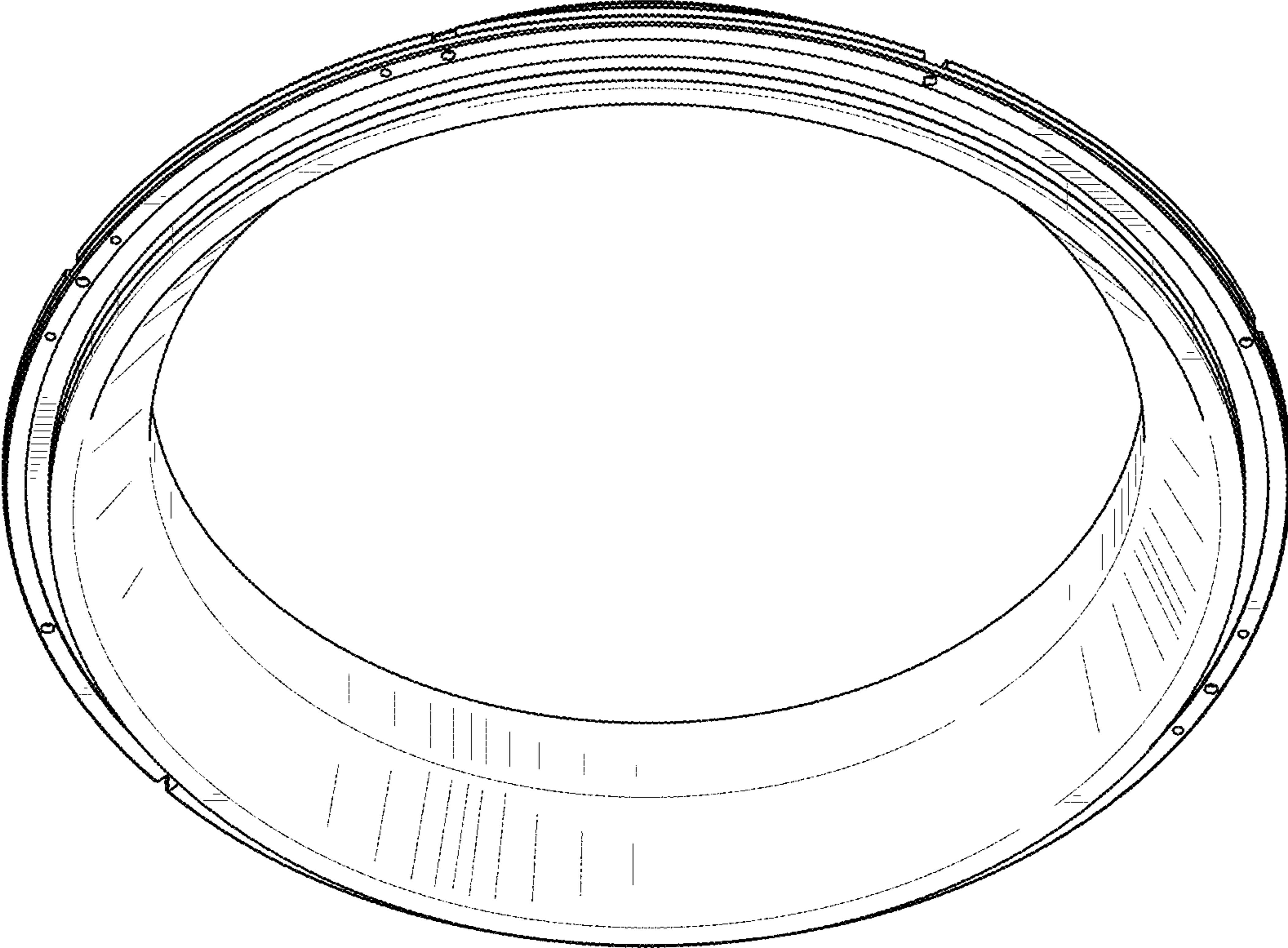
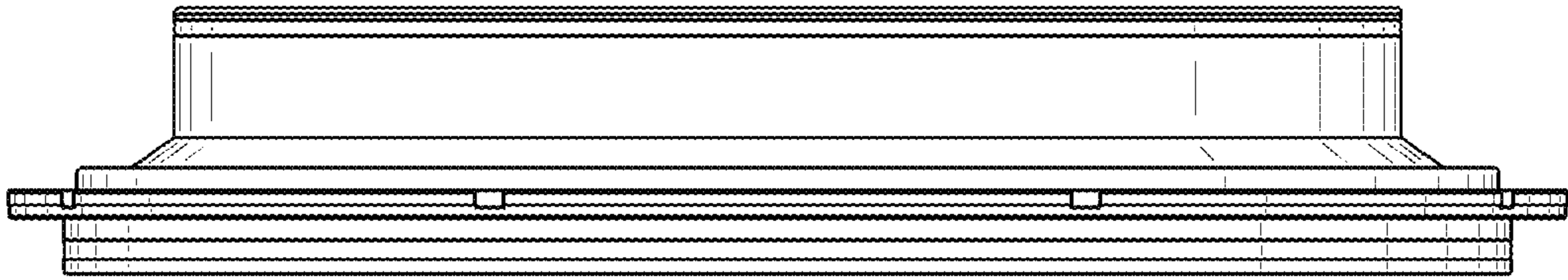
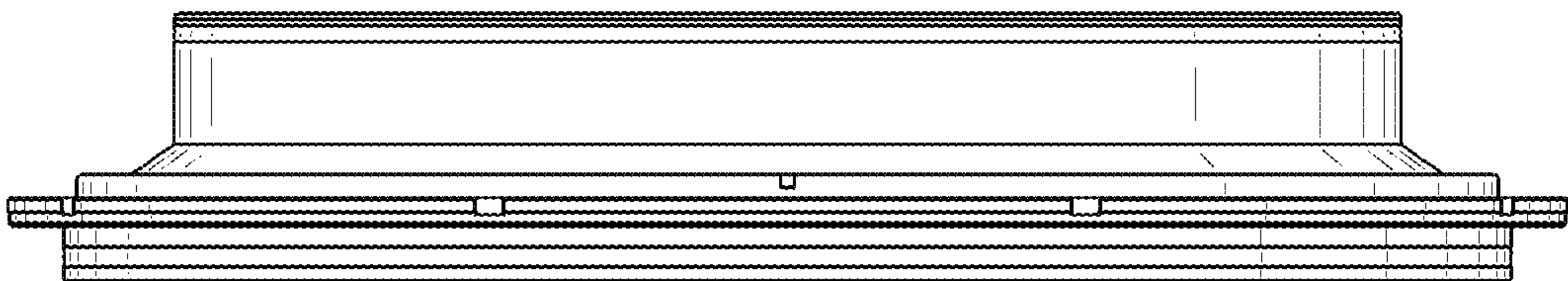


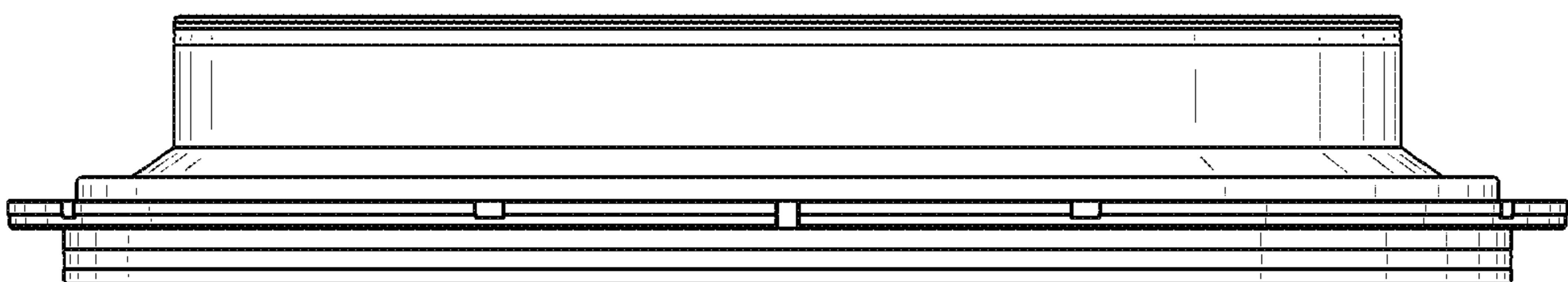
FIG. 2



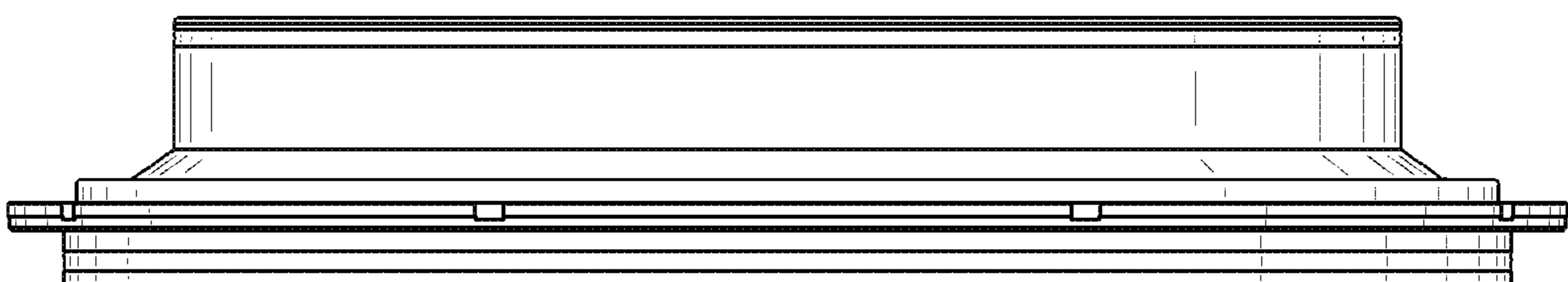
*FIG. 3*



*FIG. 4*



*FIG. 5*



*FIG. 6*

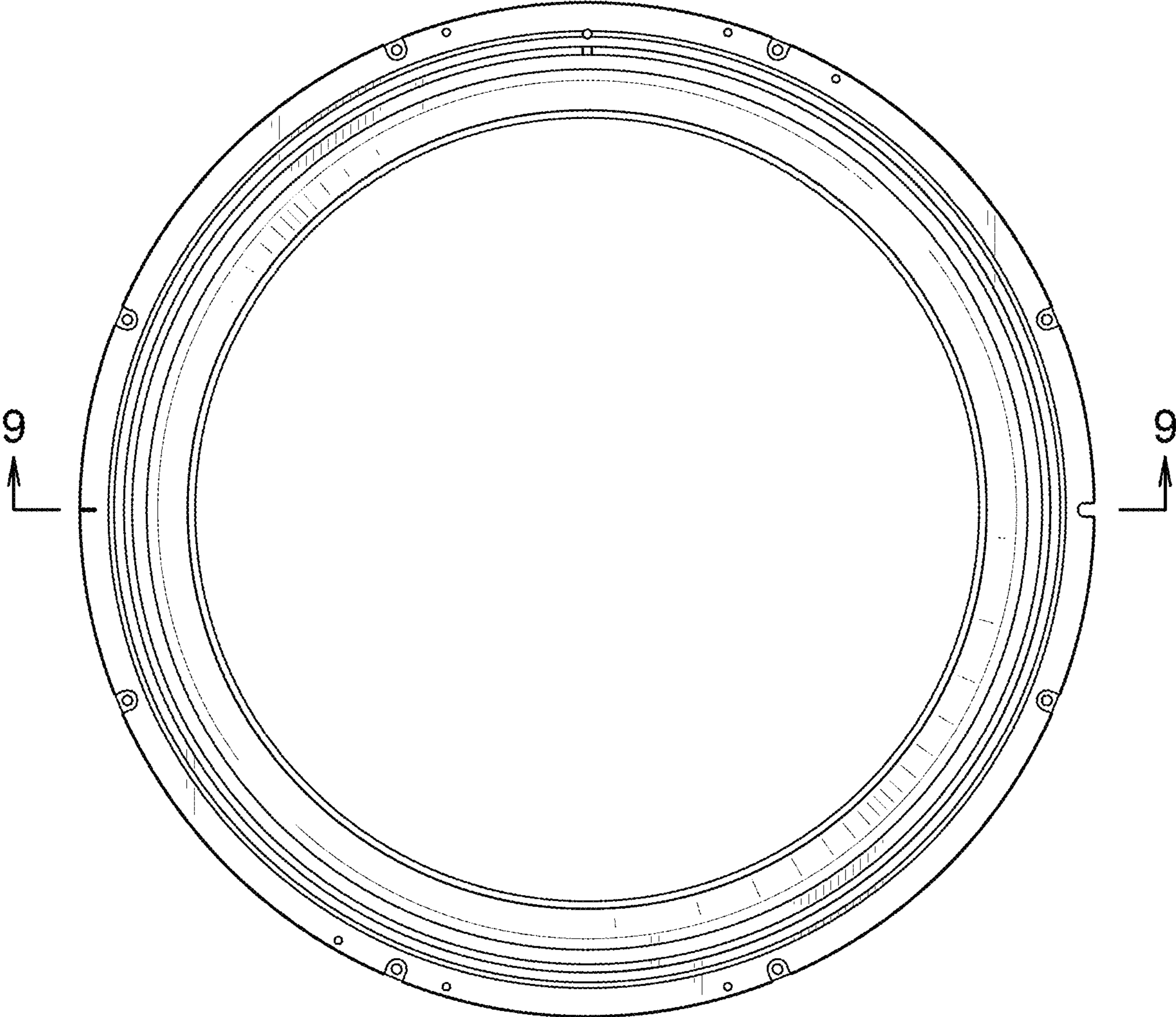


FIG. 7

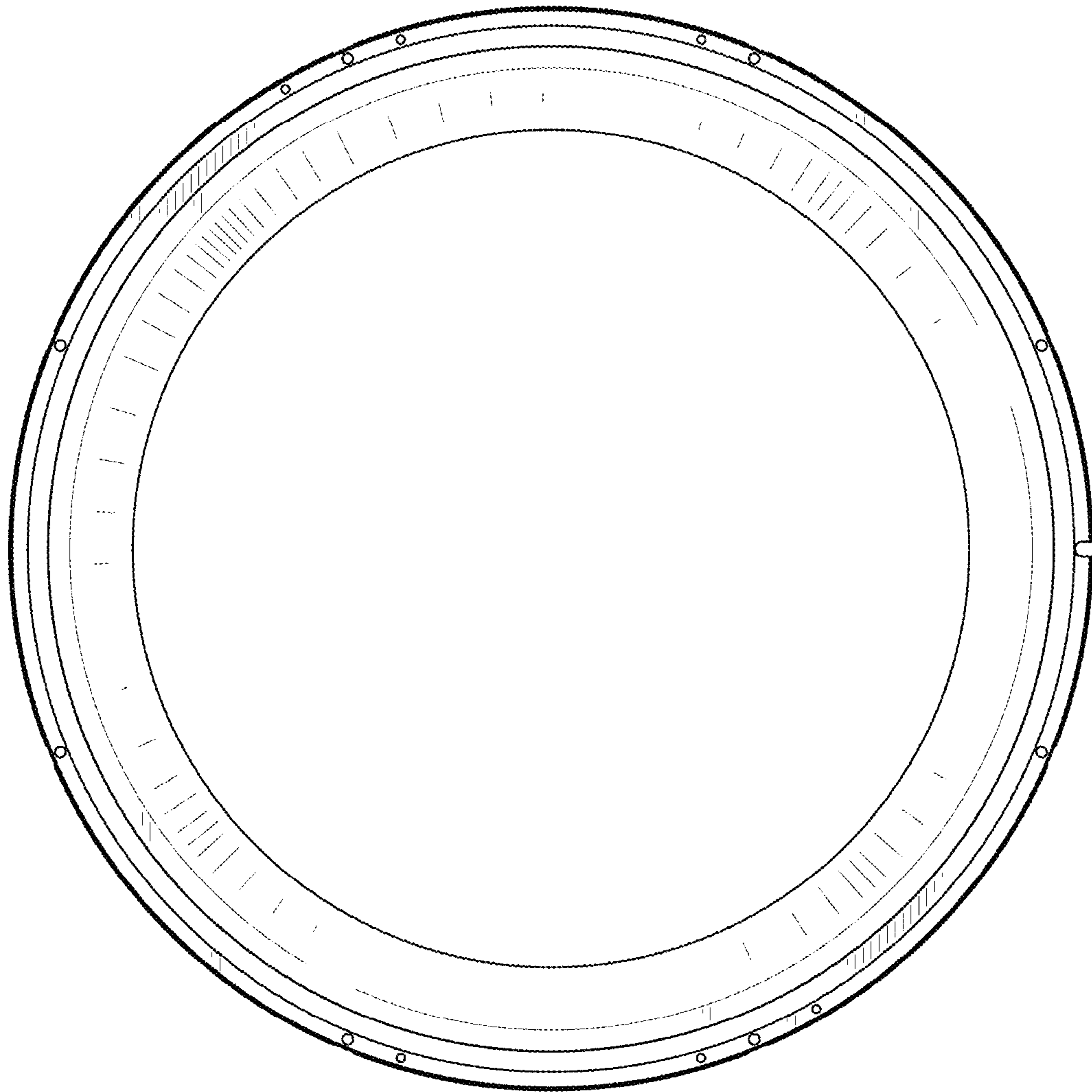


FIG. 8

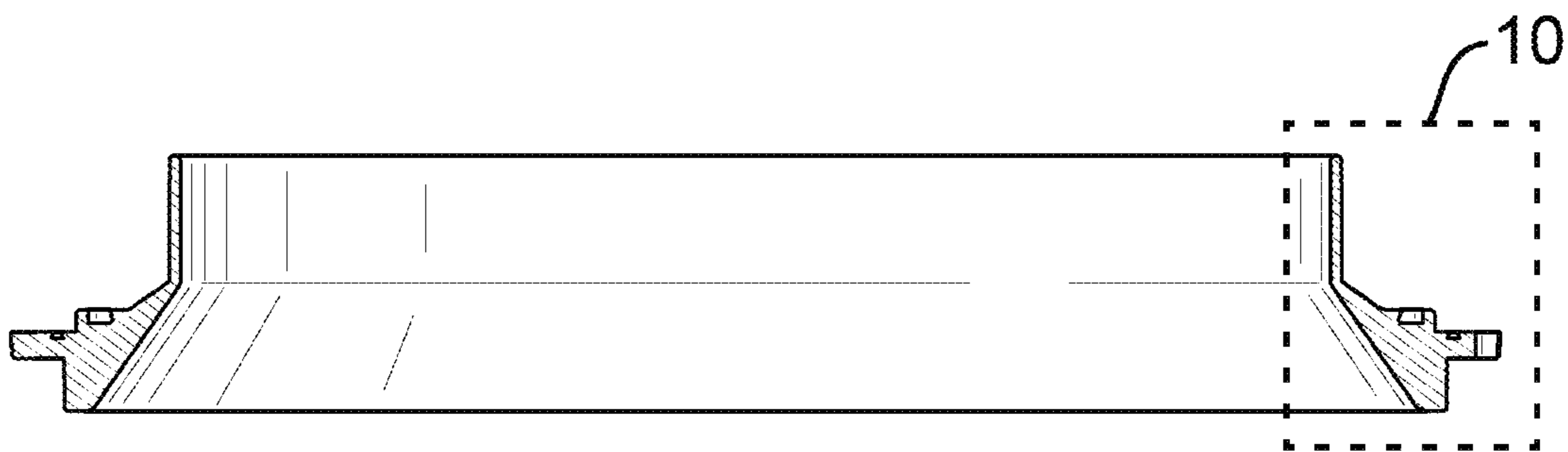


FIG. 9

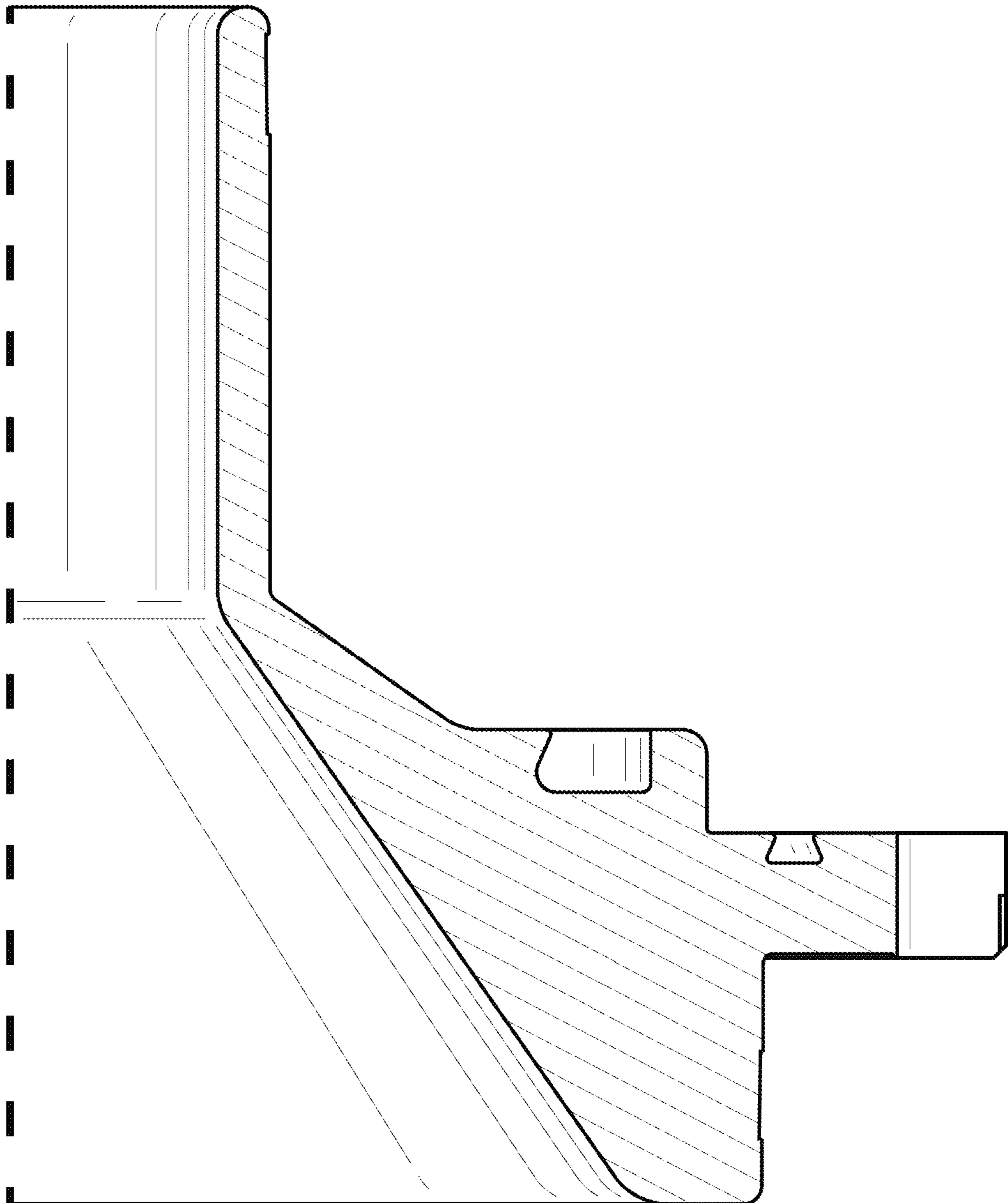


FIG. 10