



US00D916036S

(12) **United States Design Patent**
Fu et al.

(10) **Patent No.:** **US D916,036 S**
(45) **Date of Patent:** **** Apr. 13, 2021**

(54) **SWITCH**

(71) Applicant: **SCHNEIDER ELECTRIC (AUSTRALIA) PTY LTD**, Macquarie Park (AU)

(72) Inventors: **Jiayu Fu**, Shenzhen (CN); **Fuhua Shan**, Shenzhen (CN)

(73) Assignee: **Schneider Electric (Australia) PTY LTD**, Macquarie Park (AU)

(**) Term: **15 Years**

(21) Appl. No.: **29/731,580**

(22) Filed: **Apr. 16, 2020**

(30) **Foreign Application Priority Data**

Oct. 17, 2019 (CN) 201930566890.6

(51) **LOC (13) Cl.** **13-03**

(52) **U.S. Cl.**
USPC **D13/170**

(58) **Field of Classification Search**
USPC 13/162, 168, 171, 173, 174; D13/169, D13/170
CPC .. H01H 9/02; H01H 9/16; H01H 9/18; H01H 9/181; H01H 9/182; H01H 13/023; H01H 13/04; H01H 13/06; H01H 2009/187; H01H 15/02; H01H 15/025; H01H 15/04; H01H 15/06; H01H 15/10; H05B 39/02; H05B 39/04; H05B 39/085; H05B 39/086; H05B 39/088; G08C 17/02; H03K 17/962

See application file for complete search history.

(56) **References Cited**

U.S. PATENT DOCUMENTS

D335,282	S	*	5/1993	Jurell	D13/170
D457,145	S	*	5/2002	Pagano	D13/169
D541,222	S	*	4/2007	Mayo	D13/162
7,416,310	B1	*	8/2008	Savicki, Jr.	H01H 3/0213 200/317
D582,863	S	*	12/2008	Ni	D13/169
D586,761	S	*	2/2009	Ni	D13/169
D597,496	S	*	8/2009	Samuels	D13/170
D600,656	S	*	9/2009	Altonen	D13/170
D797,062	S	*	9/2017	Hakkarainen	D13/170
9,805,886	B1	*	10/2017	Dhote	H01H 15/16
D820,225	S	*	6/2018	Kumar	D13/169
2009/0256483	A1	*	10/2009	Gehman	H05B 47/19 315/129
2016/0233785	A1	*	8/2016	Newman, Jr.	H02M 5/293
2018/0160502	A1	*	6/2018	Casey	H05B 45/20

* cited by examiner

Primary Examiner — Selina Sikder

(74) *Attorney, Agent, or Firm* — Locke Lord LLP

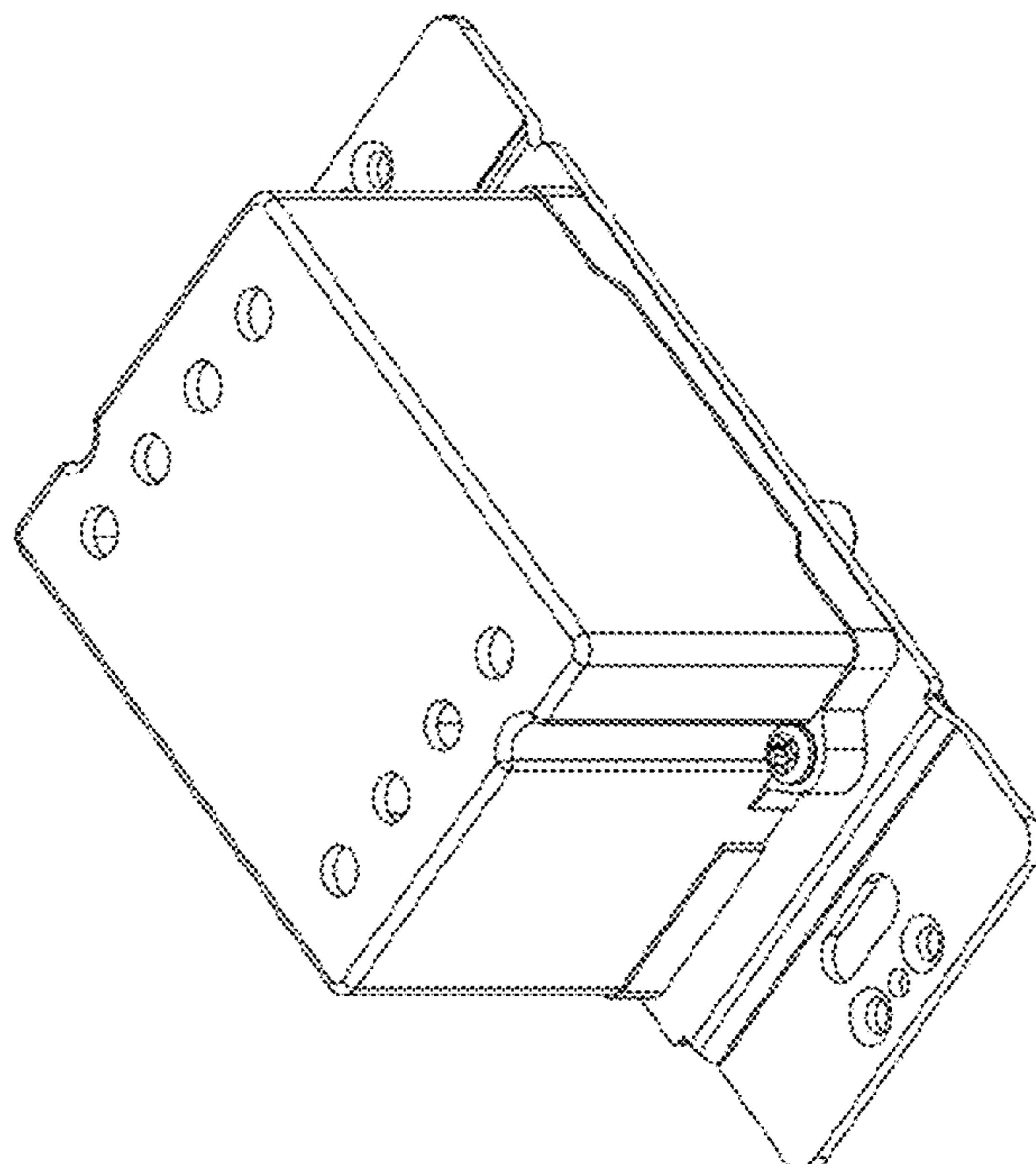
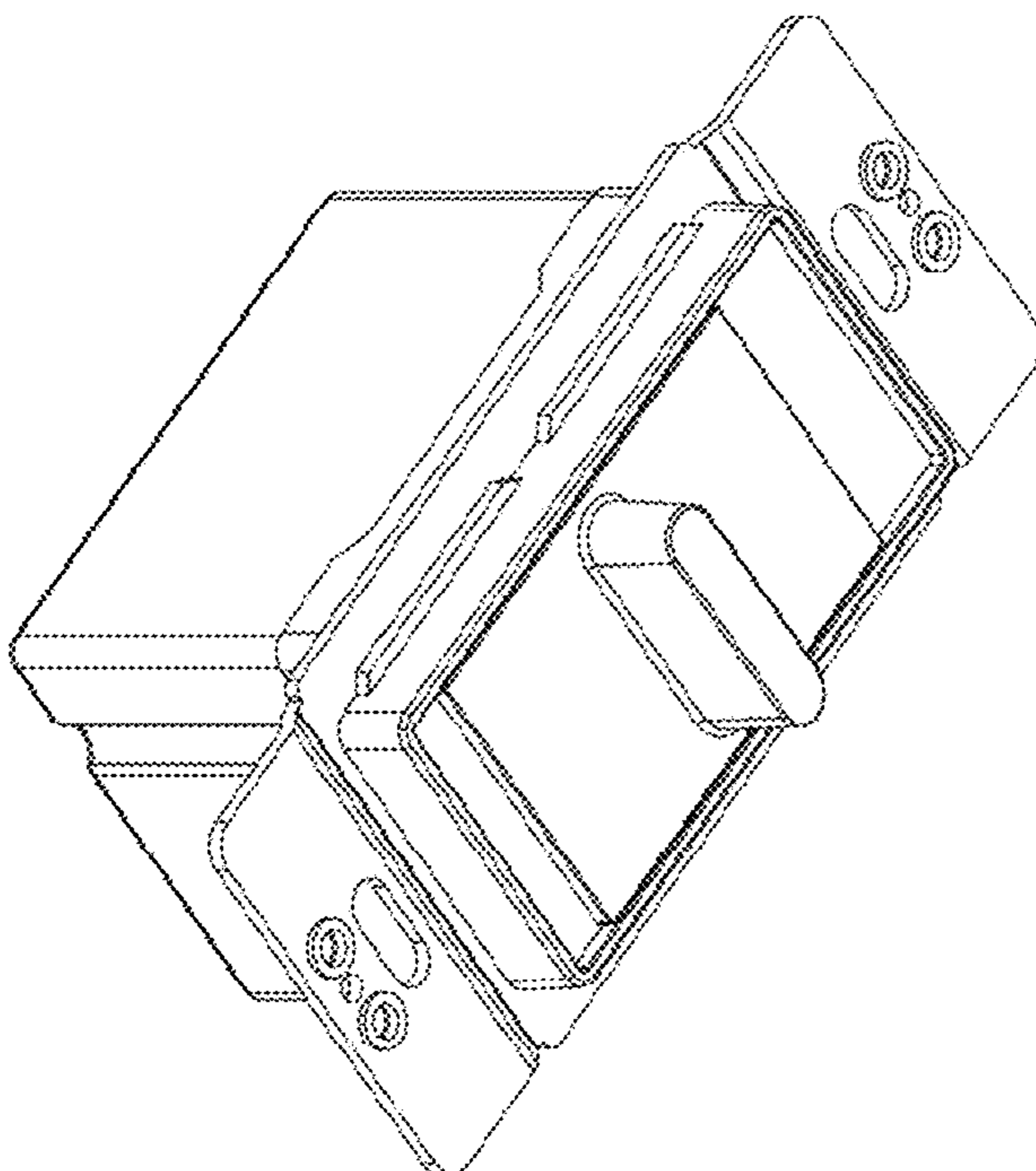
(57) **CLAIM**

The ornamental design for a switch, as shown and described.

DESCRIPTION

FIG. 1 is a front view showing a switch;
FIG. 2 is a back view of the switch in FIG. 1;
FIG. 3 is a left side view of the switch in FIG. 1;
FIG. 4 is a right side view of the switch in FIG. 1;
FIG. 5 is a top plan view of the switch in FIG. 1;
FIG. 6 is a bottom plan view of the switch in FIG. 1;
FIG. 7 is a perspective view of the switch in FIG. 1; and,
FIG. 8 is another perspective view of the switch in FIG. 1.

1 Claim, 4 Drawing Sheets



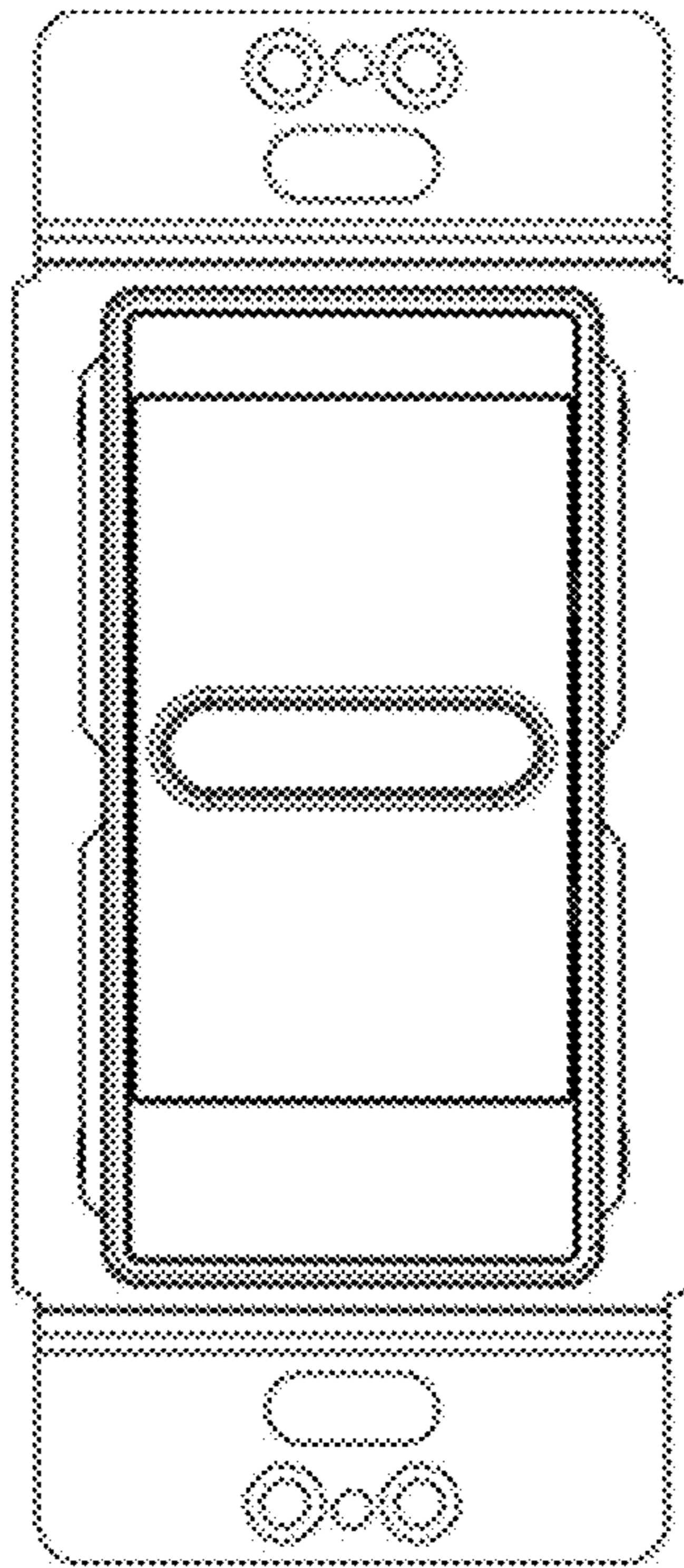


Fig. 1

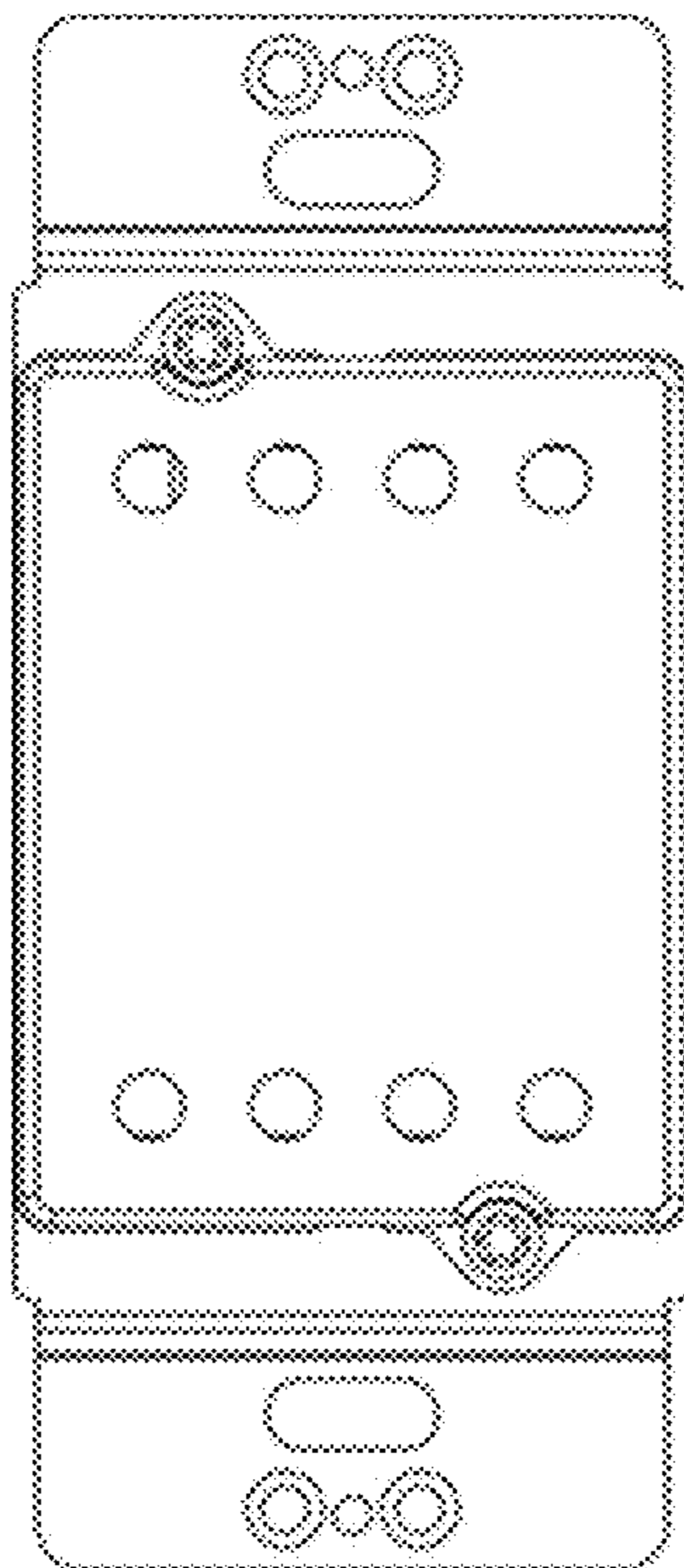


Fig. 2

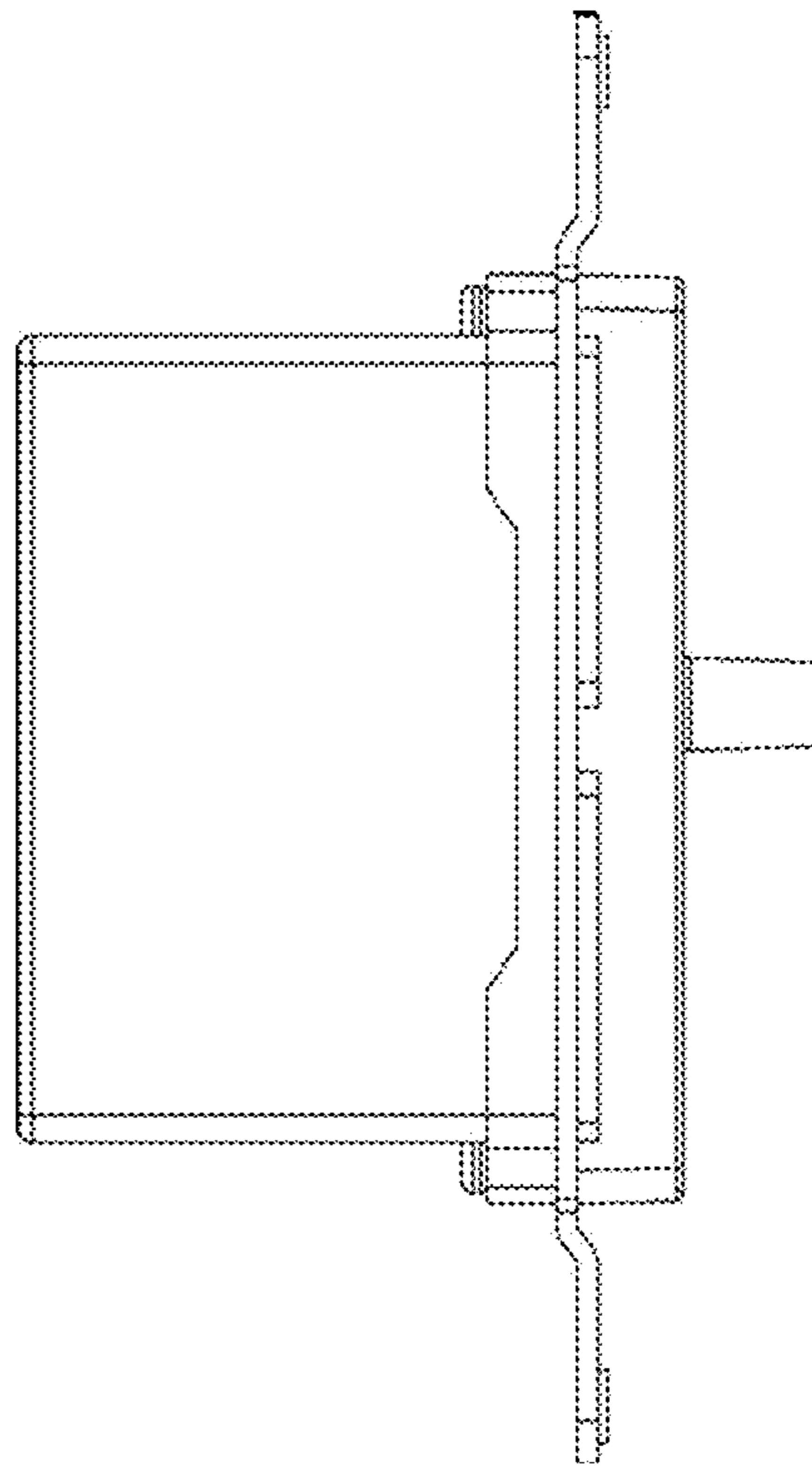


Fig.3

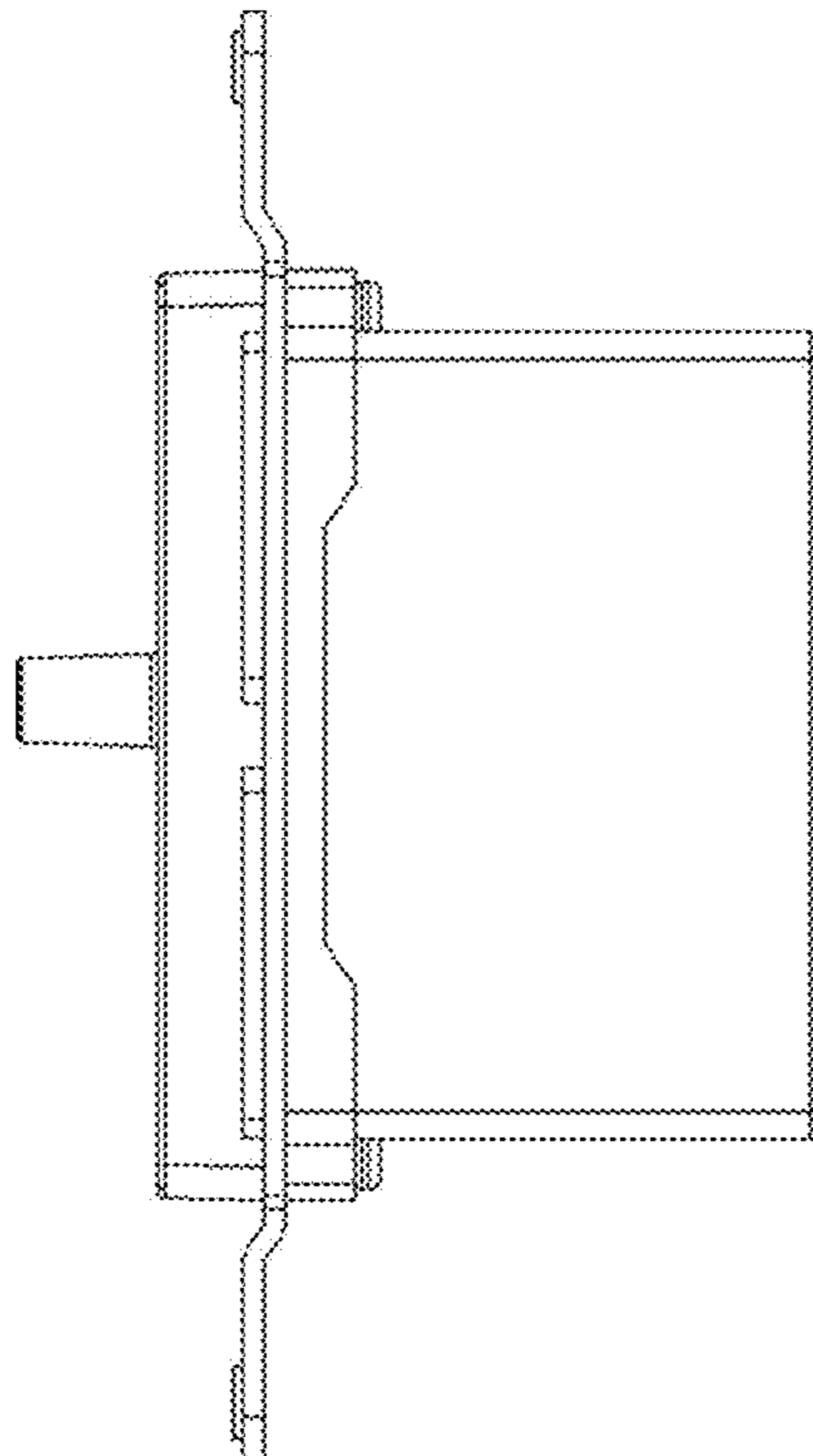


Fig.4

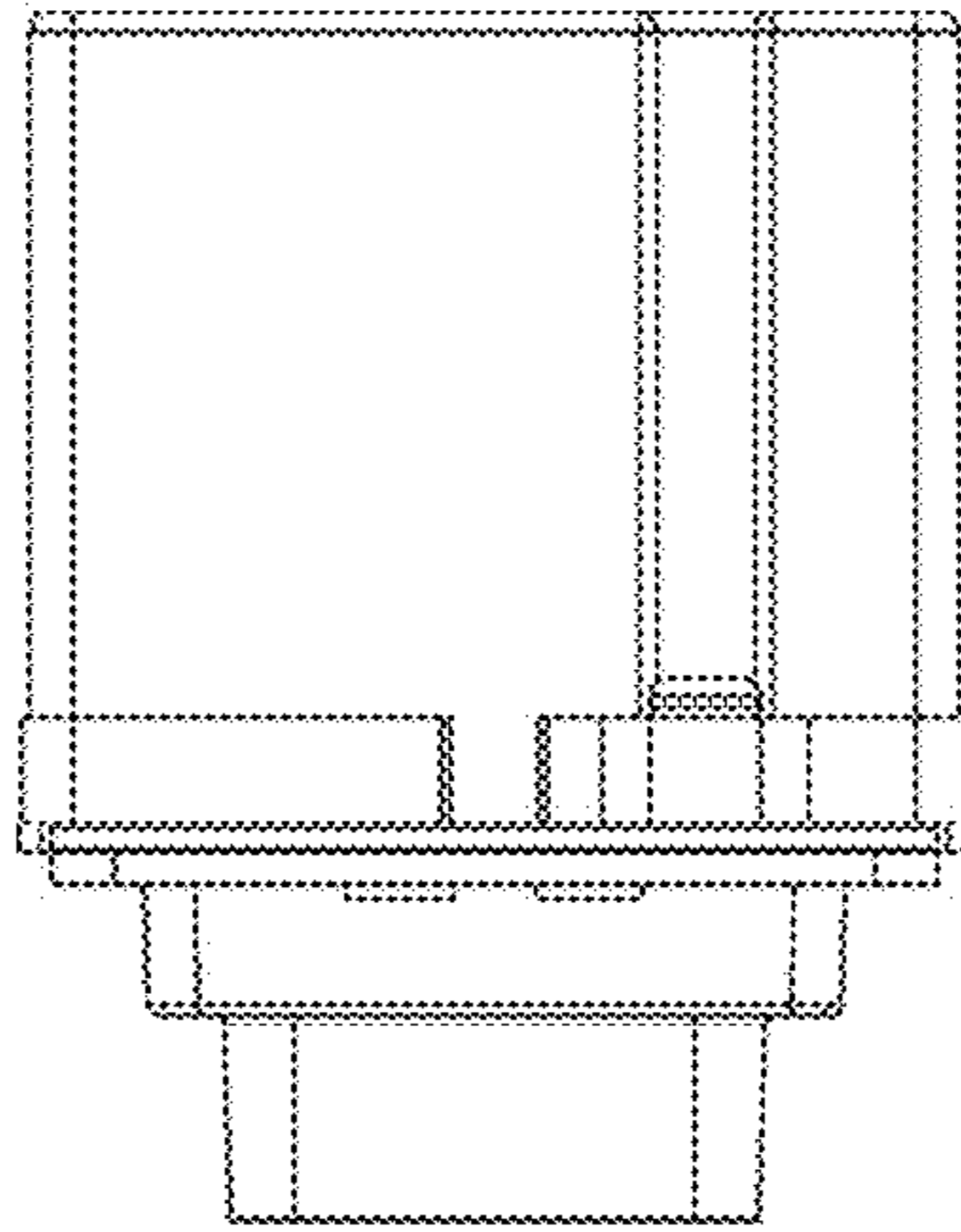


Fig.5

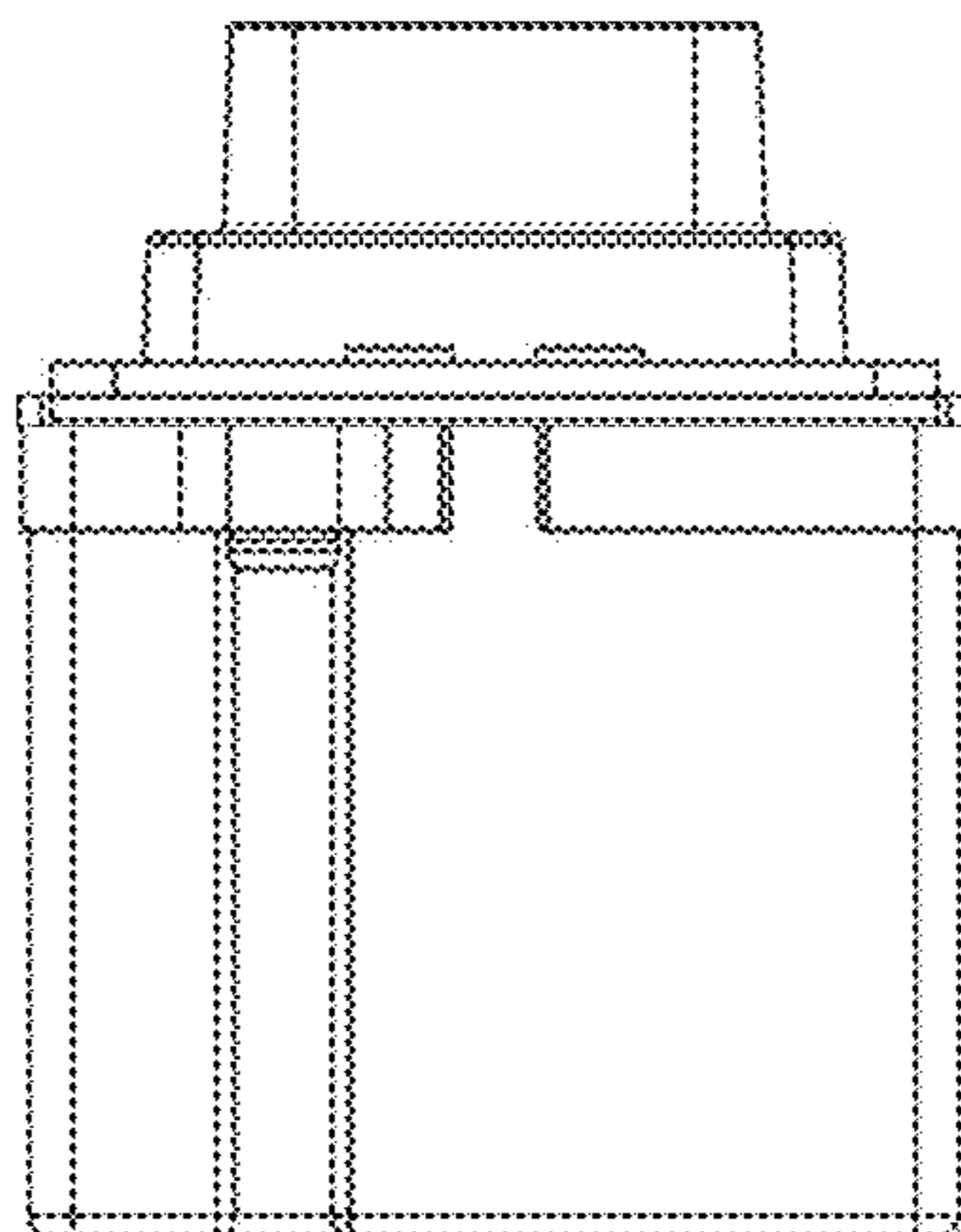


Fig.6

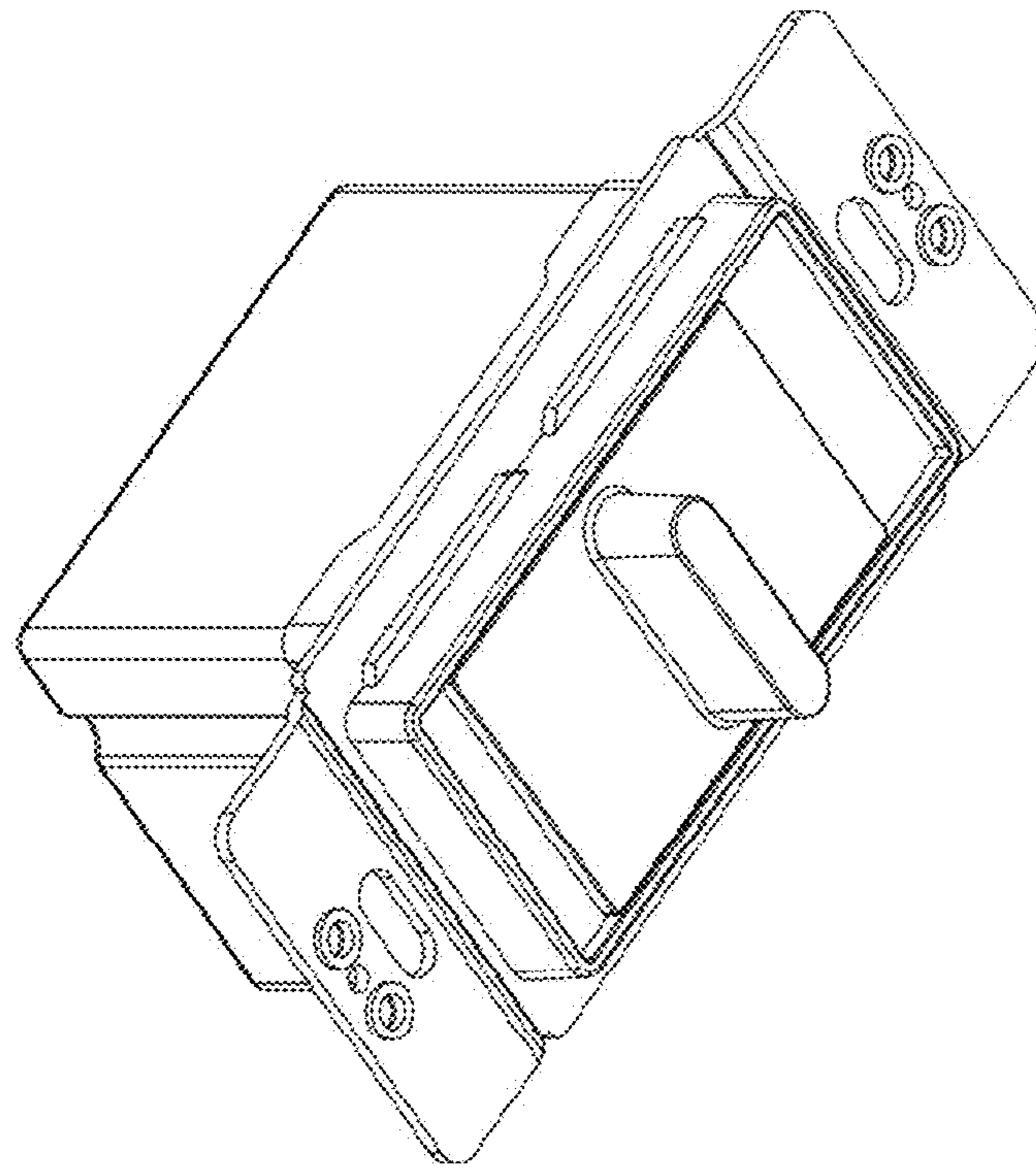


Fig.7

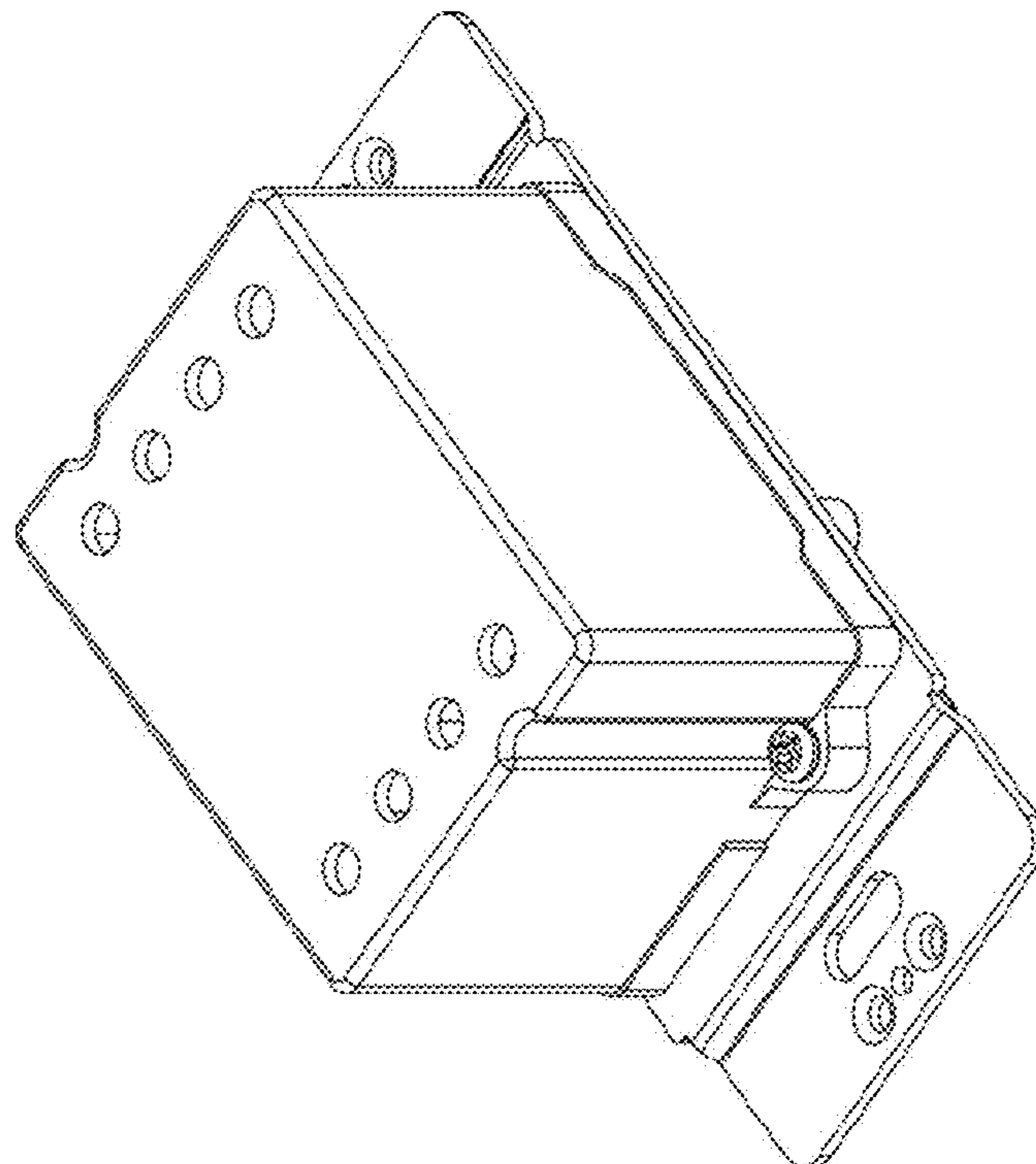


Fig.8