



US00D916033S

(12) **United States Design Patent**
Voelzke et al.

(10) **Patent No.:** **US D916,033 S**

(45) **Date of Patent:** **** Apr. 13, 2021**

- (54) **ONE-PIECE COUPLING**
- (71) Applicant: **Robroy Industries—Texas, LLC**,
Gilmer, TX (US)
- (72) Inventors: **Steven A. Voelzke**, Longview, TX
(US); **Amanda Lynn Kessel**, Tyler, TX
(US); **Terry Henry**, Greenville, TX
(US)
- (73) Assignee: **Robroy industries—Texas, LLC**,
Gilmer, TX (US)

D447,930	S	*	9/2001	Larson	D8/354
D512,023	S	*	11/2005	Bachmann	D13/149
7,186,127	B2	*	3/2007	Montena	H01R 9/05 439/277
D650,052	S	*	12/2011	Drenth	D23/269
D651,971	S	*	1/2012	Esser	D13/133
D664,100	S	*	7/2012	Montena	H01R 13/5213 D13/156
D687,701	S	*	8/2013	Rast	D8/382
D717,637	S	*	11/2014	Rast	D8/382
D830,310	S	*	10/2018	Applebaum	D13/153
2005/0181652	A1	*	8/2005	Montena	H01R 13/5205 439/271
2013/0143438	A1	*	6/2013	Wilson	H01R 24/38 439/578

(**) Term: **15 Years**

(21) Appl. No.: **29/669,054**

(22) Filed: **Nov. 5, 2018**

(51) **LOC (13) Cl.** **13-03**

(52) **U.S. Cl.**
USPC **D13/151**

(58) **Field of Classification Search**
USPC D13/133, 150, 154, 155, 151, 156, 149,
D13/199; D8/339, 382; D11/11, 86
CPC . H01R 9/0524; H01R 9/0515; H01R 13/5219
See application file for complete search history.

(56) **References Cited**

U.S. PATENT DOCUMENTS

2,311,097	A	*	2/1943	Sundholm	F16N 21/04 184/105.1
2,540,346	A	*	2/1951	Potter	F16D 1/02 403/340
4,252,244	A	*	2/1981	Christian	B21D 51/24 220/586
4,652,842	A	*	3/1987	Kling	H01R 4/028 333/182
D331,681	S	*	12/1992	Schaefer	D6/580

* cited by examiner

Primary Examiner — Jennifer O King

(74) *Attorney, Agent, or Firm* — The Webb Law Firm

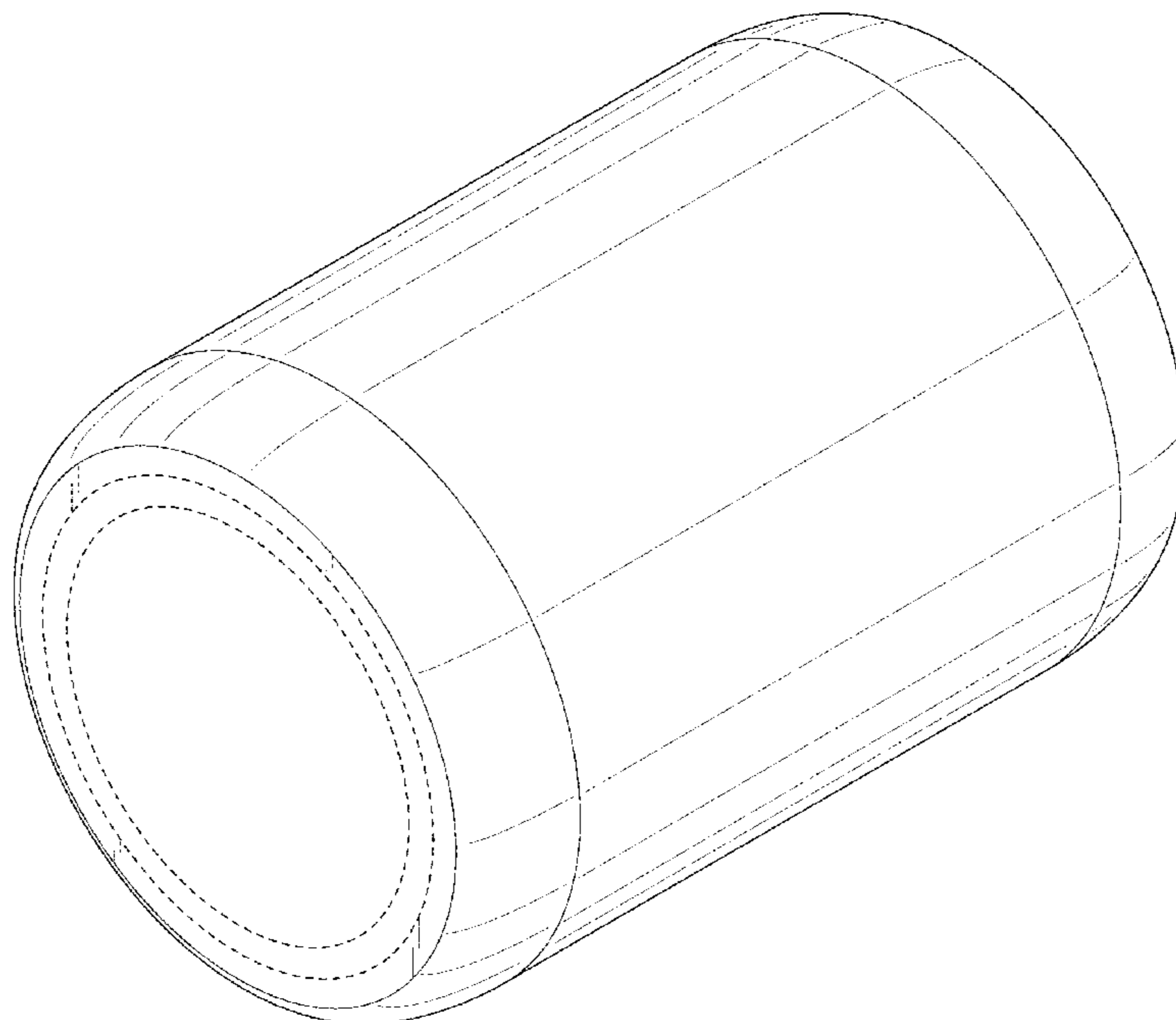
(57) **CLAIM**

The ornamental design for a one-piece coupling, as shown and described.

DESCRIPTION

FIG. 1 is a perspective view of a one-piece coupling showing our new design;
FIG. 2 is a front elevation view thereof;
FIG. 3 is a rear elevation view thereof;
FIG. 4 is a left side elevation view thereof;
FIG. 5 is a right side elevation view thereof;
FIG. 6 is a top view thereof; and,
FIG. 7 is a bottom view thereof.
The portions of the one-piece coupling shown in broken lines form no part of the claimed design.

1 Claim, 7 Drawing Sheets



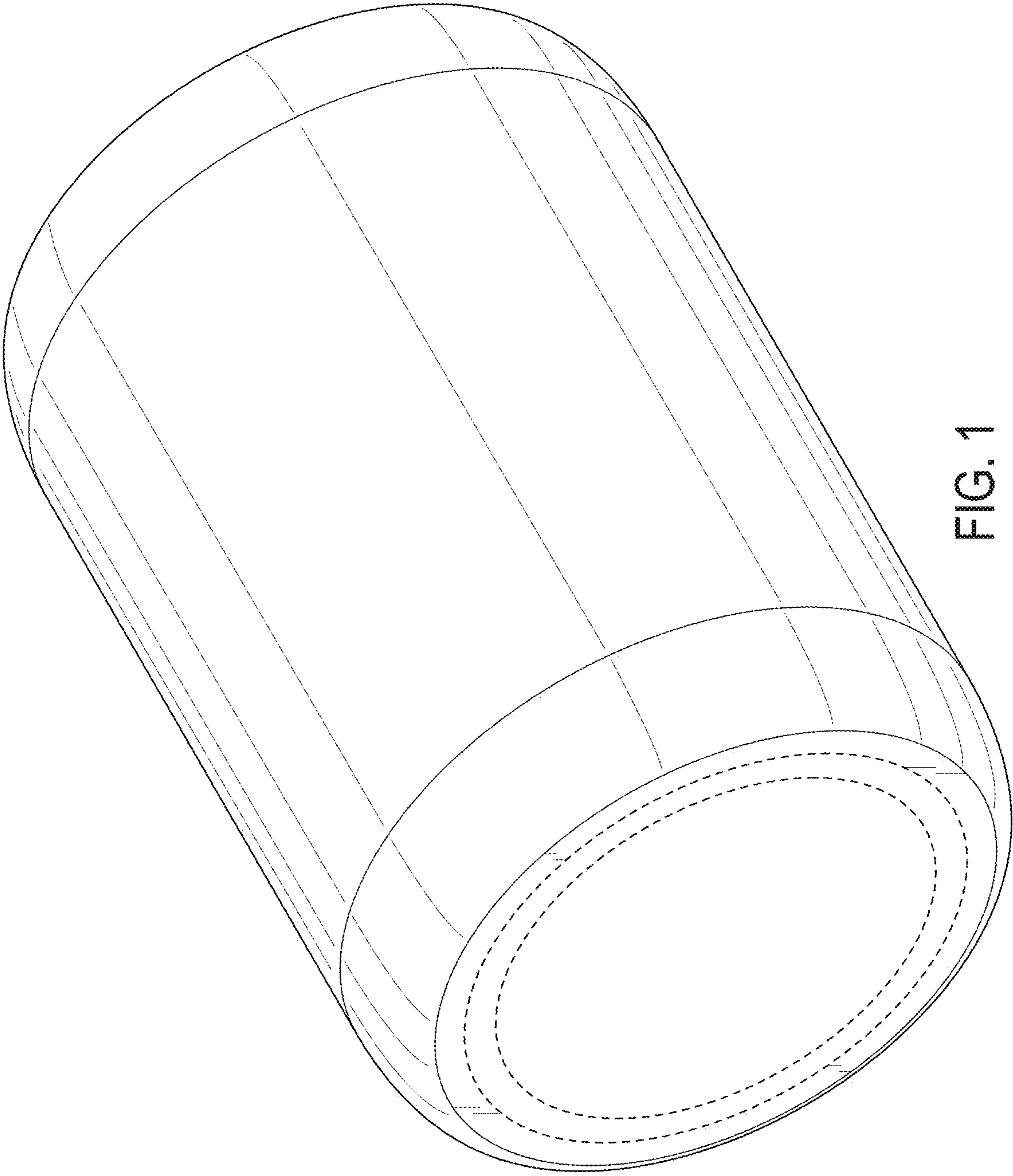


FIG. 1

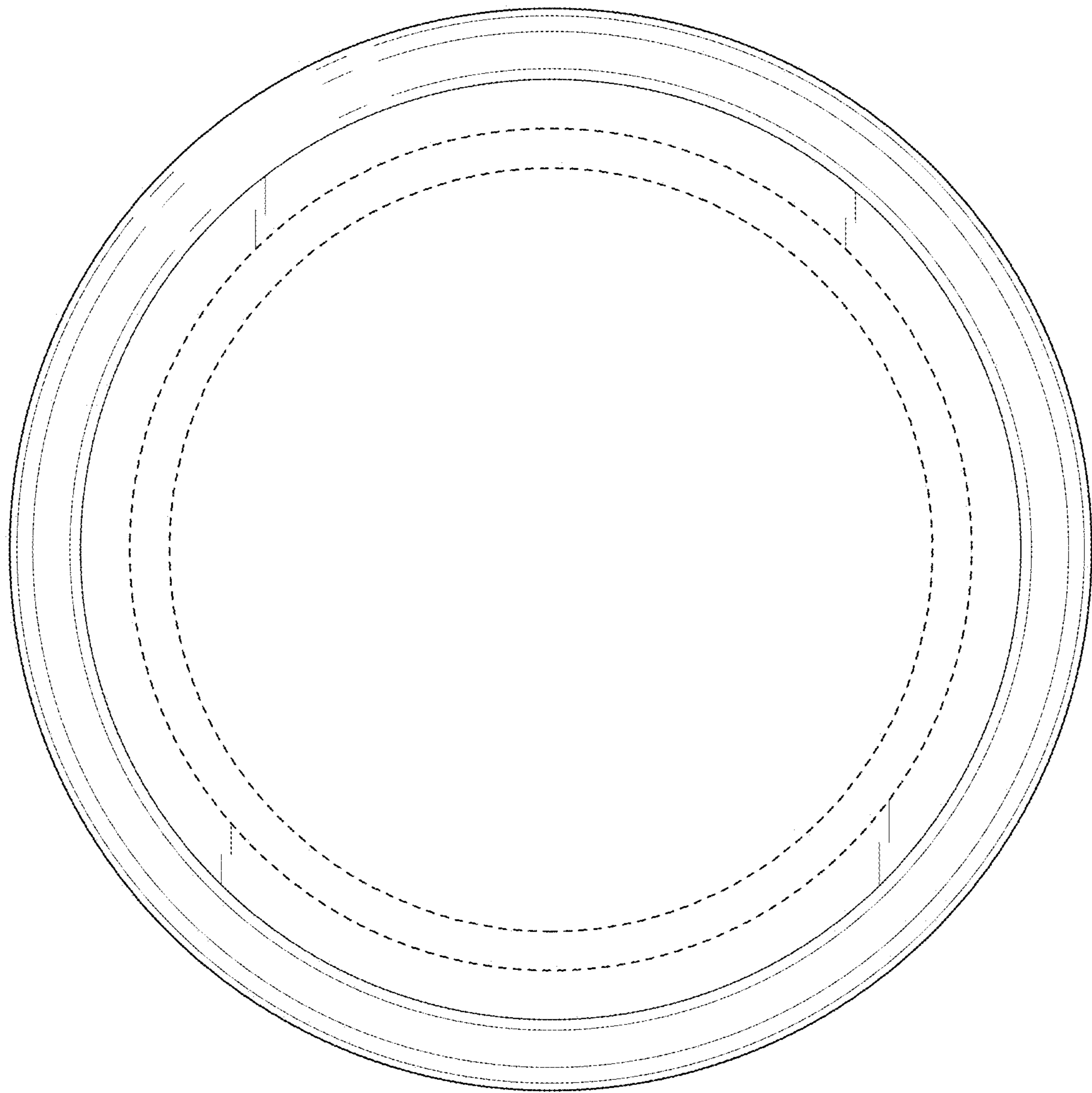


FIG. 2

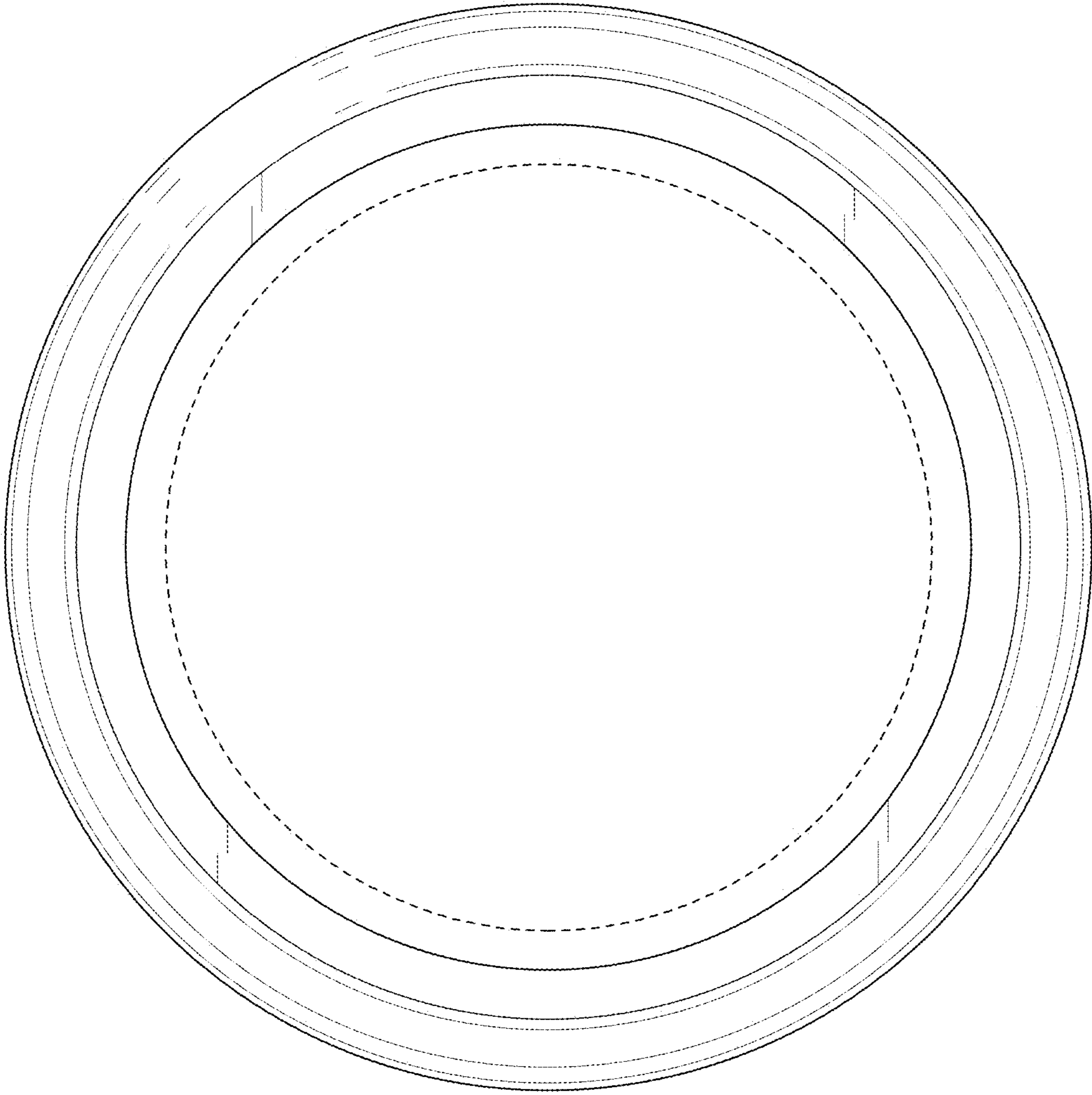


FIG. 3

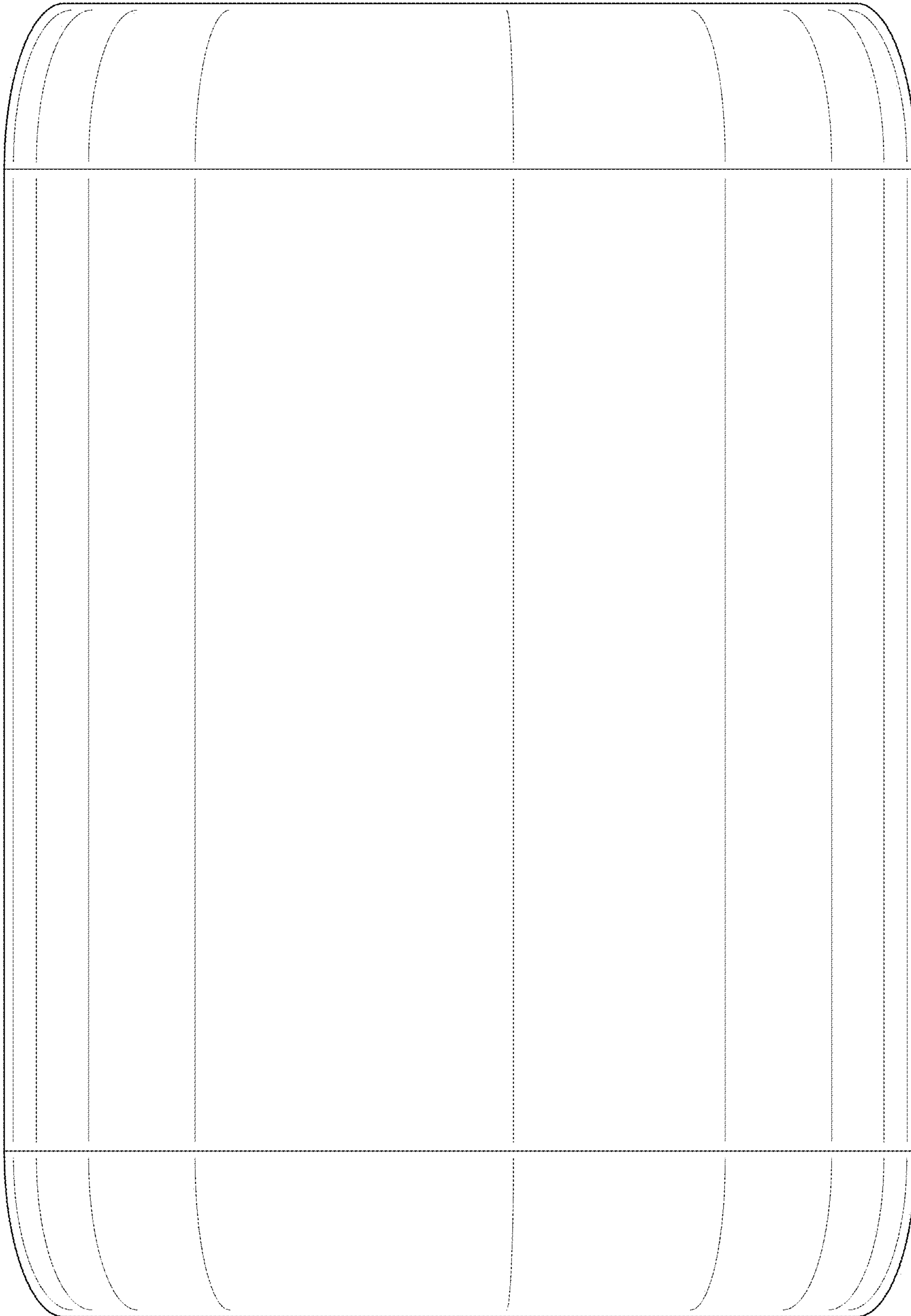


FIG. 4

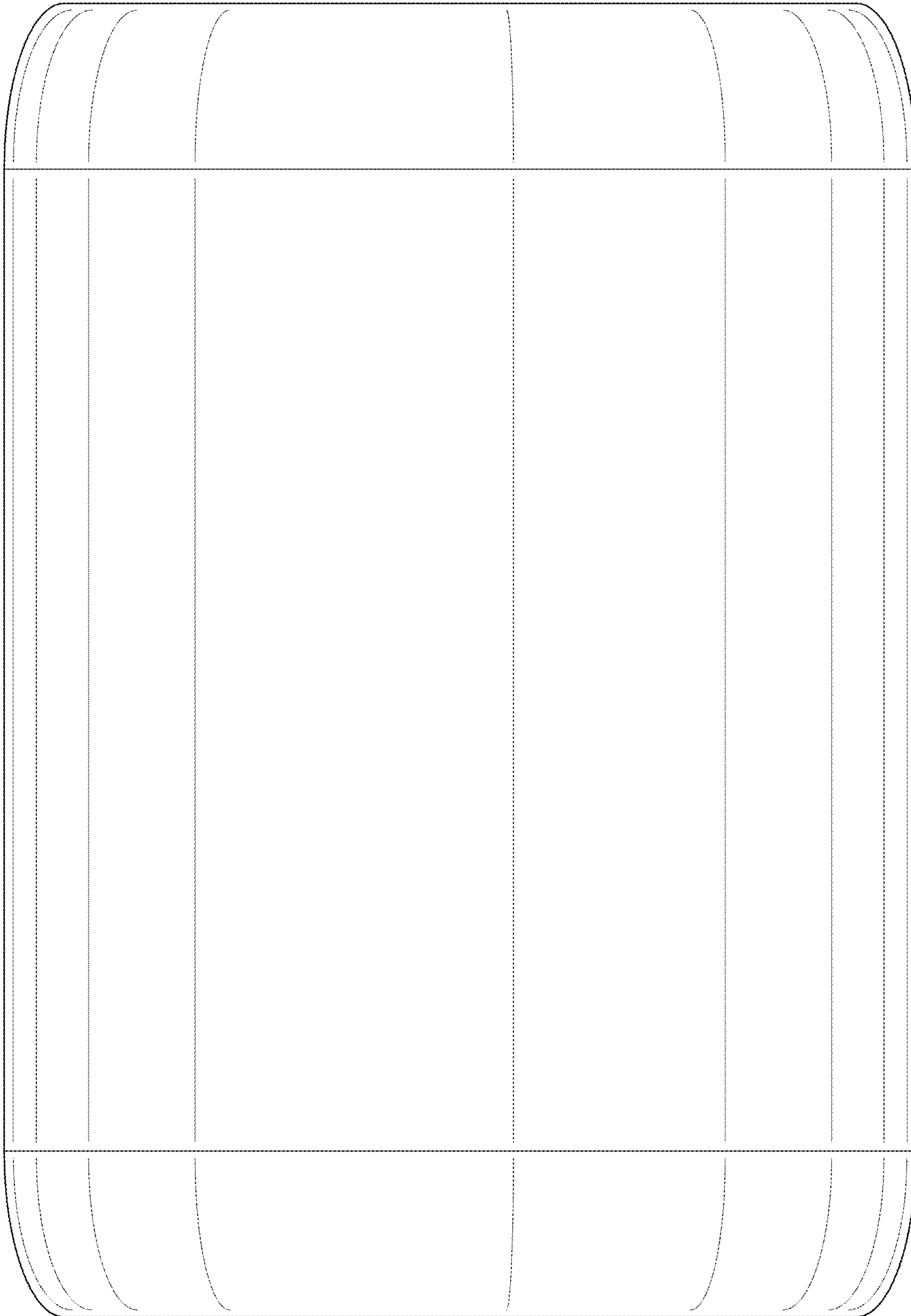


FIG. 5

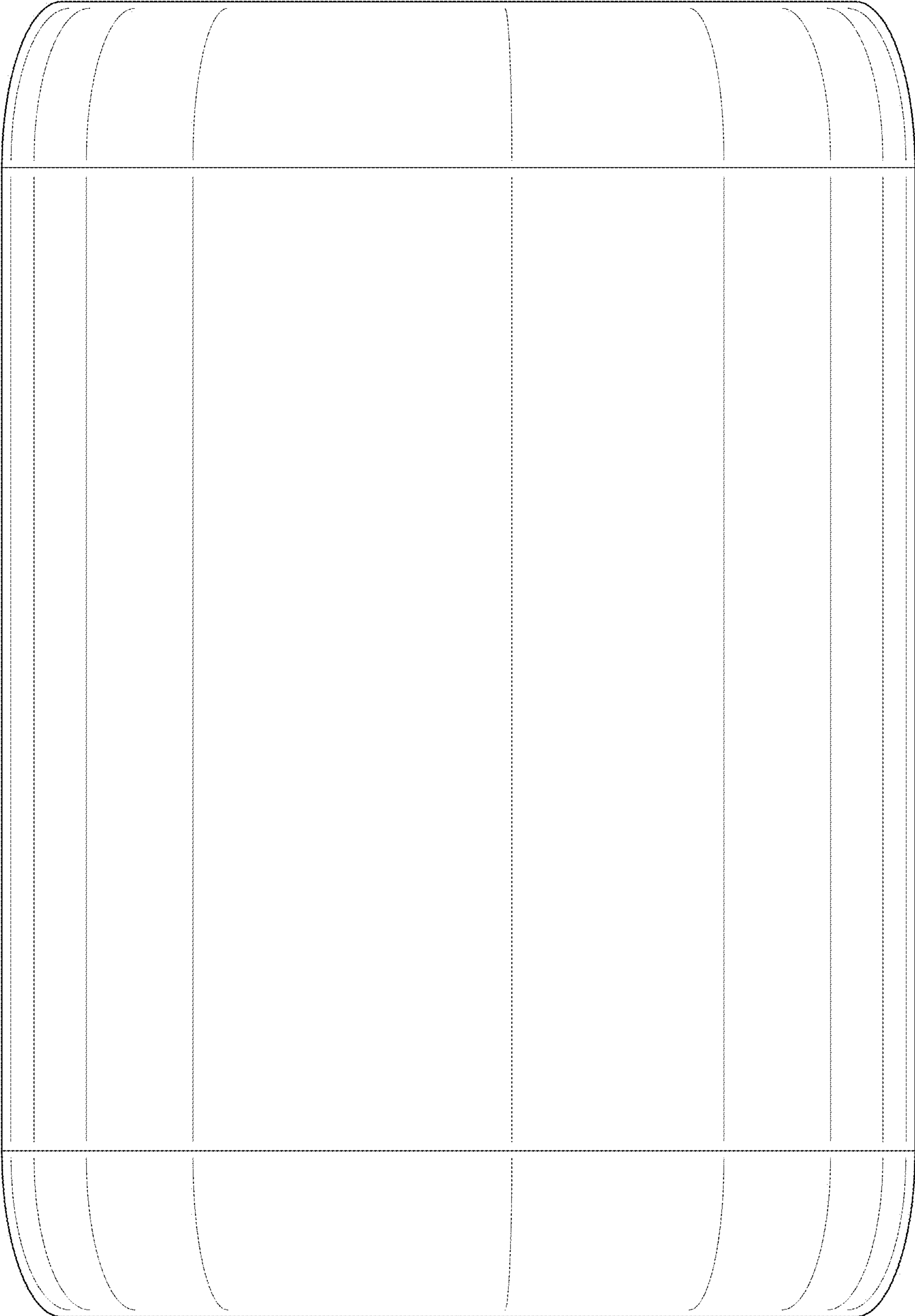


FIG. 6

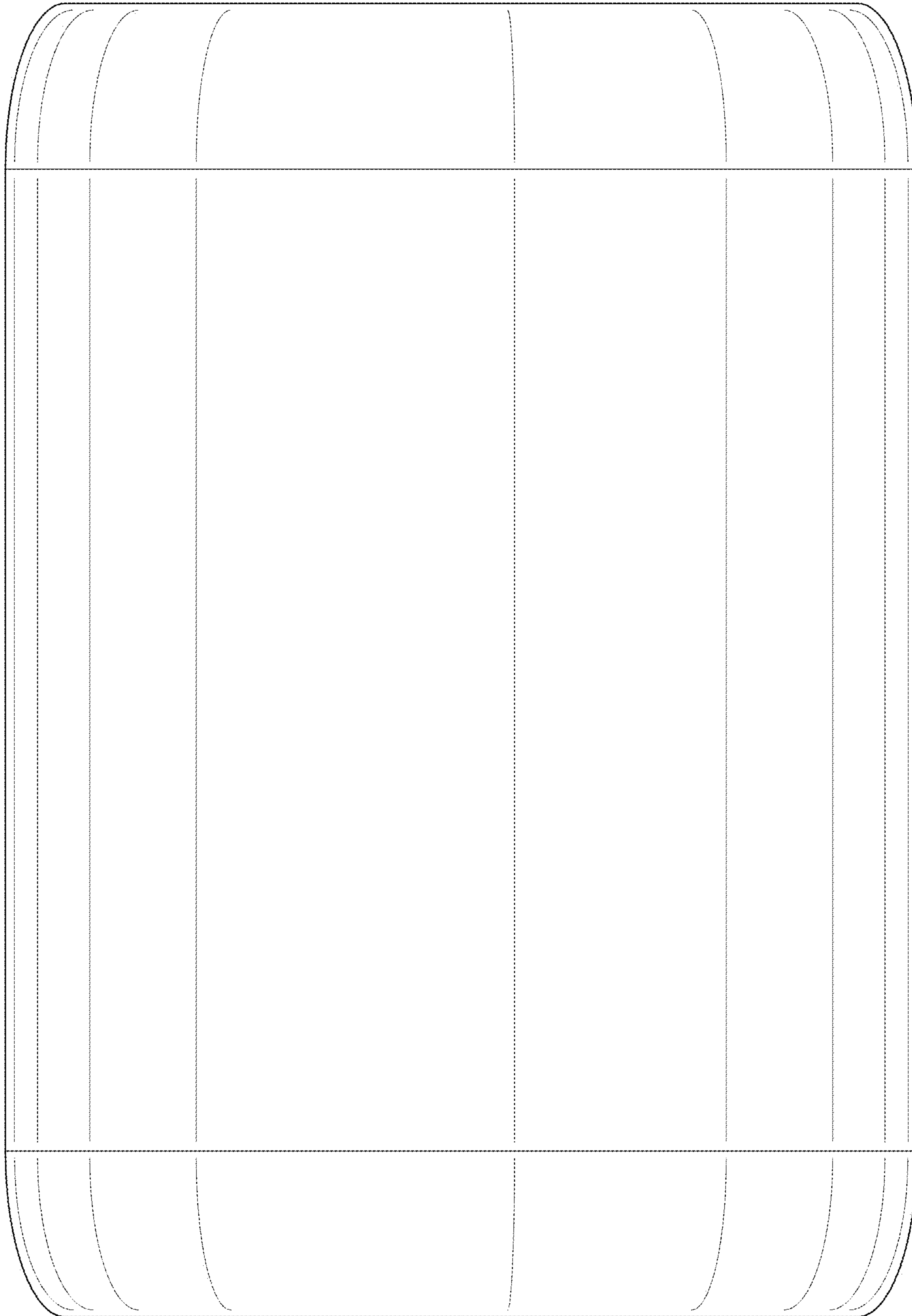


FIG. 7

UNITED STATES PATENT AND TRADEMARK OFFICE
CERTIFICATE OF CORRECTION

PATENT NO. : D916,033 S
APPLICATION NO. : 29/669054
DATED : April 13, 2021
INVENTOR(S) : Steven A. Voelzke et al.

Page 1 of 1

It is certified that error appears in the above-identified patent and that said Letters Patent is hereby corrected as shown below:

On the Title Page

Item (73) Assignee, Line 1, delete "industries" and insert -- Industries --

Under item (57) Column 2, Description, Line 6, after "elevation" insert -- view --

Signed and Sealed this
Twenty-eighth Day of September, 2021



Drew Hirshfeld
*Performing the Functions and Duties of the
Under Secretary of Commerce for Intellectual Property and
Director of the United States Patent and Trademark Office*