



US00D916032S

(12) **United States Design Patent**
Naganuma et al.

(10) **Patent No.:** **US D916,032 S**
(45) **Date of Patent:** **** Apr. 13, 2021**

(54) **ELECTRICAL CONNECTOR**

(71) Applicant: **HIROSE ELECTRIC CO., LTD.**,
Tokyo (JP)

(72) Inventors: **Kenichi Naganuma**, Tokyo (JP);
Yusuke Sakoda, Tokyo (JP)

(73) Assignee: **HIROSE ELECTRIC CO., LTD.**,
Tokyo (JP)

(**) Term: **15 Years**

(21) Appl. No.: **29/670,653**

(22) Filed: **Nov. 19, 2018**

Related U.S. Application Data

(62) Division of application No. 29/621,491, filed on Oct. 9, 2017, now Pat. No. Des. 843,946.

(30) **Foreign Application Priority Data**

Jun. 23, 2017 (JP) 2017-013522
Jun. 23, 2017 (JP) 2017-013523

(51) **LOC (13) Cl.** **13-03**

(52) **U.S. Cl.**
USPC **D13/147**

(58) **Field of Classification Search**
USPC D13/101, 112, 110, 118, 120, 123, 133,
D13/146, 147, 149, 154, 156, 182, 184,
D13/199; D14/356, 433, 435, 438
(Continued)

(56) **References Cited**

U.S. PATENT DOCUMENTS

D406,817 S * 3/1999 Wu D13/147
D408,788 S * 4/1999 Homma D13/147

(Continued)

OTHER PUBLICATIONS

“Hirose Electric Connector”. Found online May 28, 2020 at docs.rs-online.com. Reference dated Aug. 7, 2017. Retrieved from https://docs.rs-online.com/40af/0900766b816234e6.pdf. (Year: 2017).*

(Continued)

Primary Examiner — Kendra Leslie Hamilton

Assistant Examiner — Amanda Christensen

(74) *Attorney, Agent, or Firm* — Rankin, Hill & Clark LLP

(57) **CLAIM**

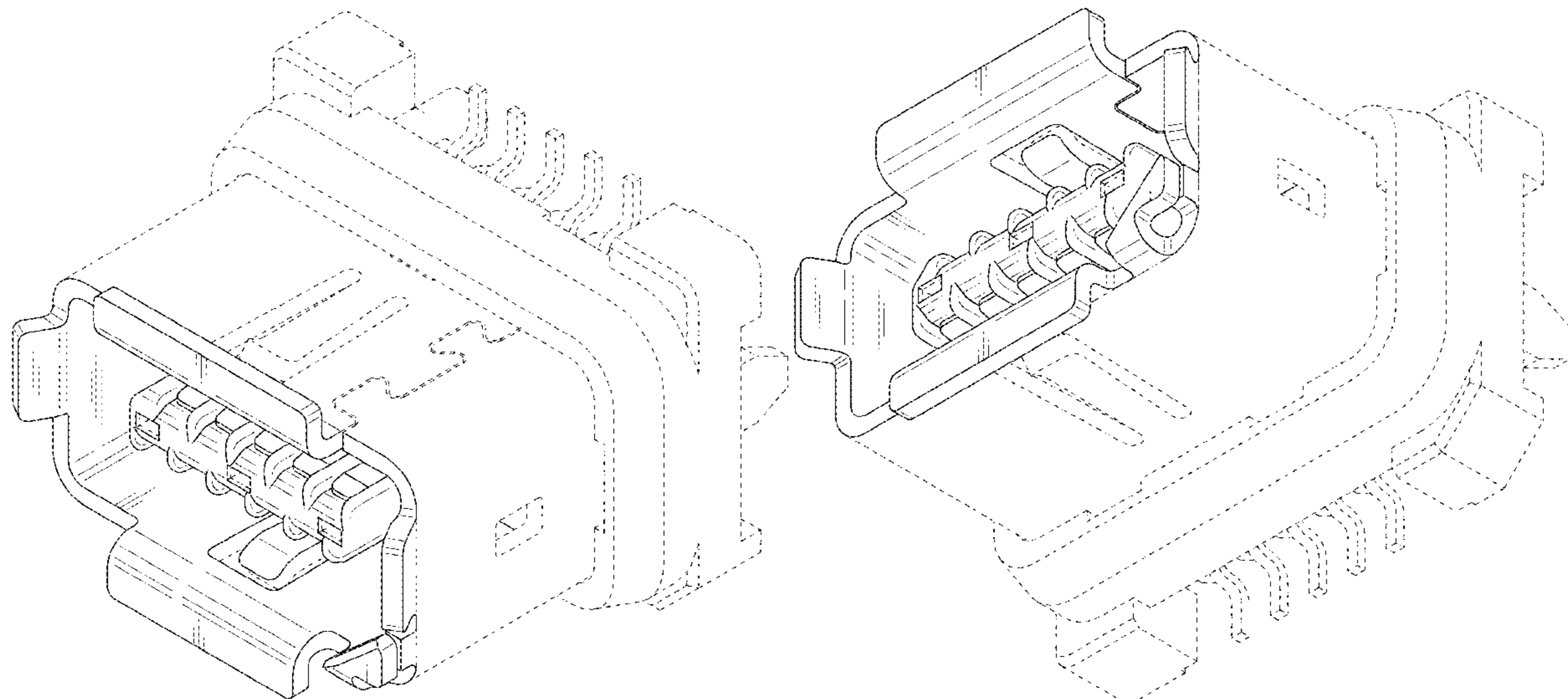
The ornamental design for an electrical connector, as shown and described.

DESCRIPTION

FIG. 1 is a front, top, right side perspective view of an electrical connector, showing our new design; FIG. 2 is a front, bottom, right side perspective view thereof; FIG. 3 is a rear, top, left side perspective view thereof; FIG. 4 is a rear, bottom, left side perspective view thereof; FIG. 5 is a front elevation view thereof; FIG. 6 is a rear elevation view thereof; FIG. 7 is a left side elevation view thereof; FIG. 8 is a right side elevation view thereof; FIG. 9 is a top plan view thereof; FIG. 10 is a bottom plan view thereof; FIG. 11 is a cross sectional top plan view of the electrical connector of FIG. 1, taken in the direction of line 11-11 of FIG. 5; and, FIG. 12 is a cross sectional left elevation view of the electrical connector of FIG. 1, taken in the direction of line 12-12 of FIG. 5.

The equal-length broken lines depict portions of the electrical connector that form no part of the claimed design. The dash-dot-dash lines define the boundaries of the claimed design and form no part thereof.

1 Claim, 12 Drawing Sheets



(58) **Field of Classification Search**

CPC H01R 24/00; H01R 12/00; H01R 12/70;
H01R 13/62

See application file for complete search history.

8,475,218 B2* 7/2013 Zheng G02B 6/3817
439/660
D710,308 S 8/2014 Katayanagi
D718,251 S 11/2014 Katayanagi
D870,669 S * 12/2019 Katagiyama D13/133
2002/0142636 A1* 10/2002 Murr H01R 13/6582
439/108
2017/0179634 A1* 6/2017 Du H01R 13/6581
2018/0358755 A1* 12/2018 Sakaizawa H01R 13/6273

(56) **References Cited**

U.S. PATENT DOCUMENTS

D419,524 S * 1/2000 Chiou D13/147
D446,772 S * 8/2001 Chen D13/147
D446,773 S 8/2001 Yao et al.
D447,466 S 9/2001 Chen et al.
6,454,603 B2* 9/2002 Casey H01R 13/6272
439/607.28
D499,382 S 12/2004 Zhu et al.
D523,813 S * 6/2006 He D13/147
D540,746 S * 4/2007 Watanabe D13/147
D569,345 S * 5/2008 Ikegami D13/147
D654,439 S 2/2012 Sasaki

OTHER PUBLICATIONS

“Uxcell Jack Socket Connector”. Found online May 28, 2020 at URL. Reference dated Oct. 6, 2016. Retrieved from https://www.amazon.com/Uxcell-a13081900ux0112-Female-Socket-Connector/dp/B00H51E7B0/ref=psdc_172544_t4_B07T82FB1M. (Year: 2016).*
“CUI Devices”. Found online May 19, 2020 at [futureelectronics.com](https://www.futureelectronics.com). Reference dated 2015. Retrieved from <https://www.futureelectronics.com/p/interconnect-connectors-data-telecom-usb-connectors/uj31-ch-g2-smt-tr-cui-devices-6094634>. (Year: 2015).*

* cited by examiner

FIG.1

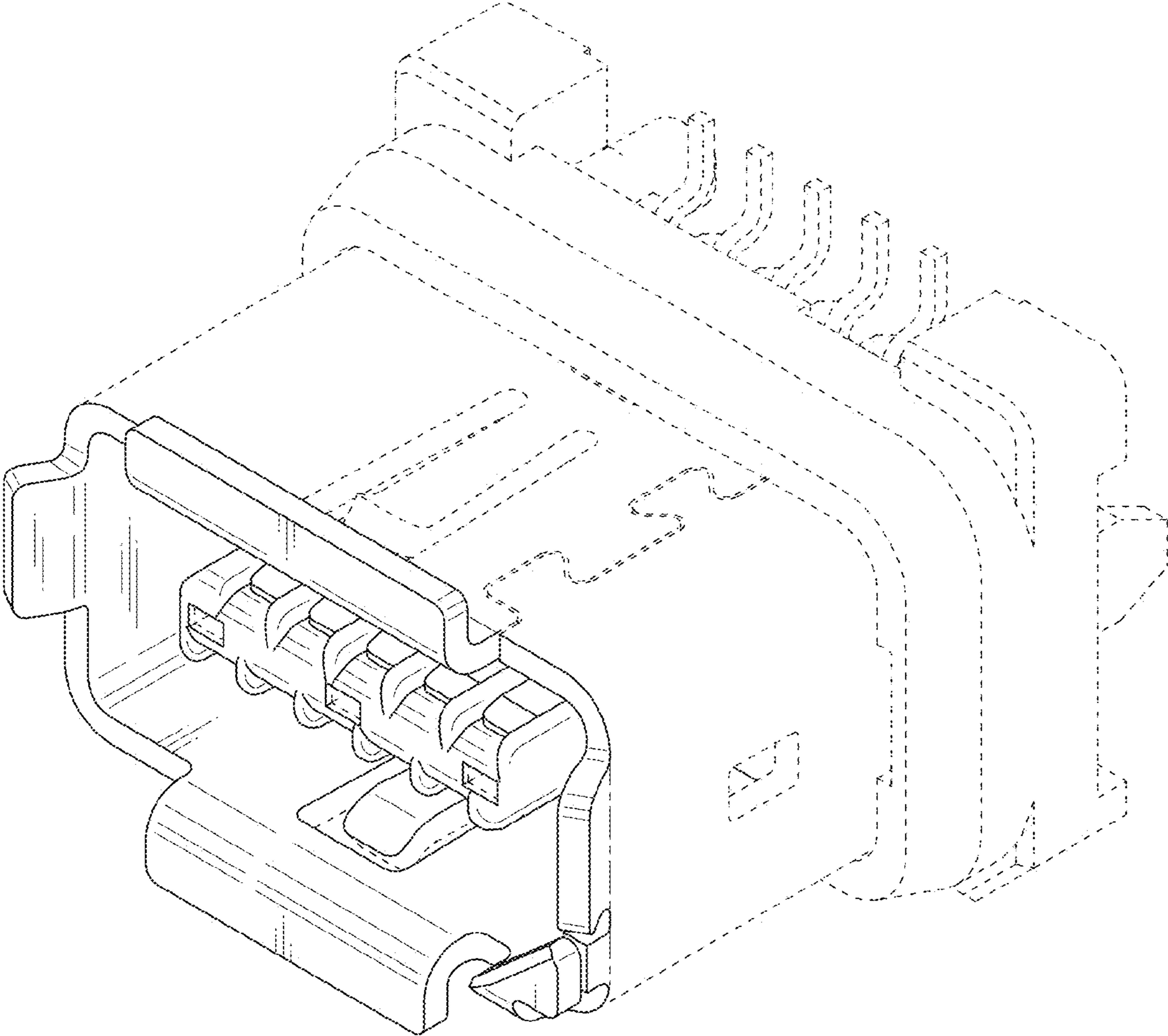


FIG.2

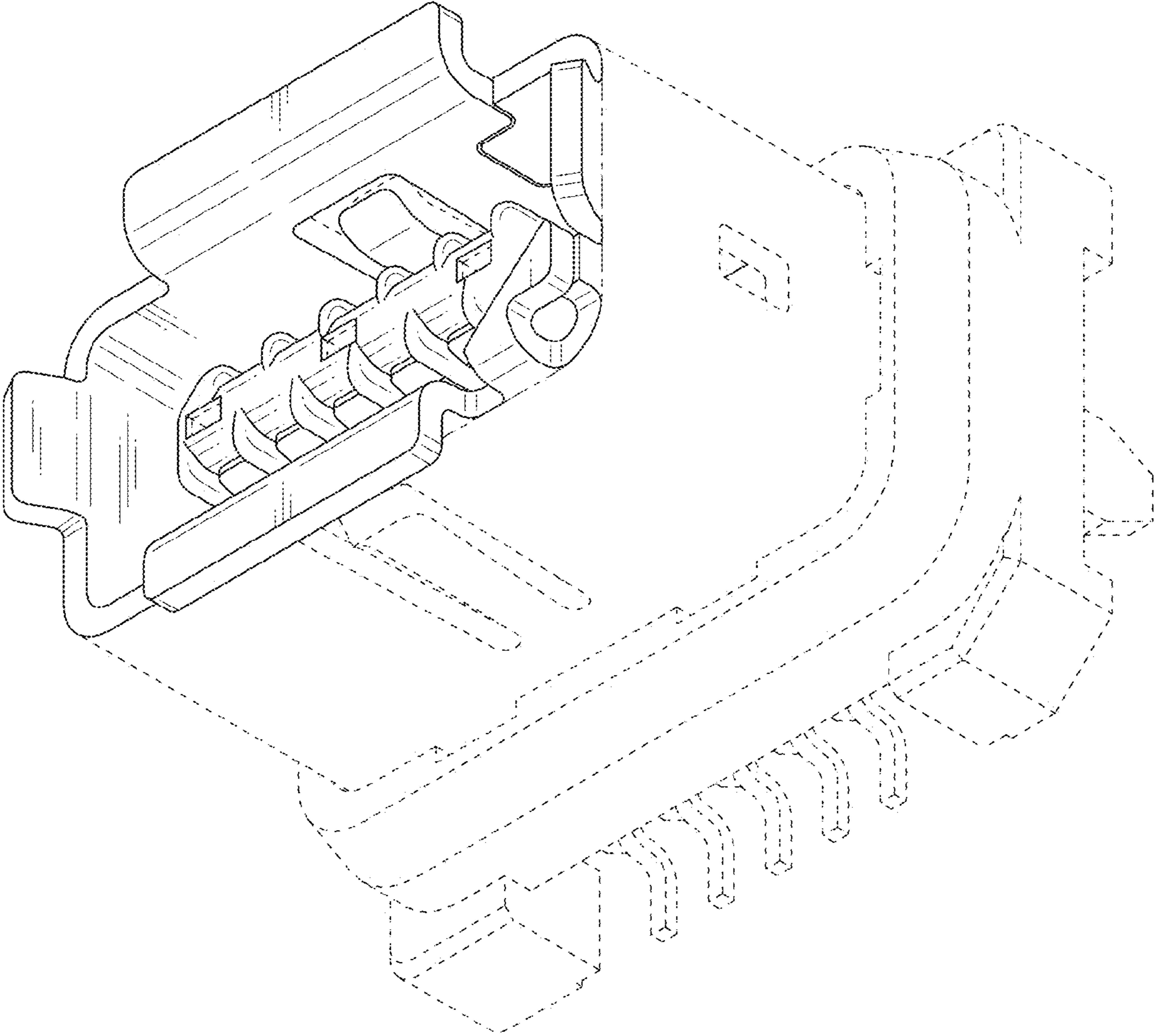


FIG. 3

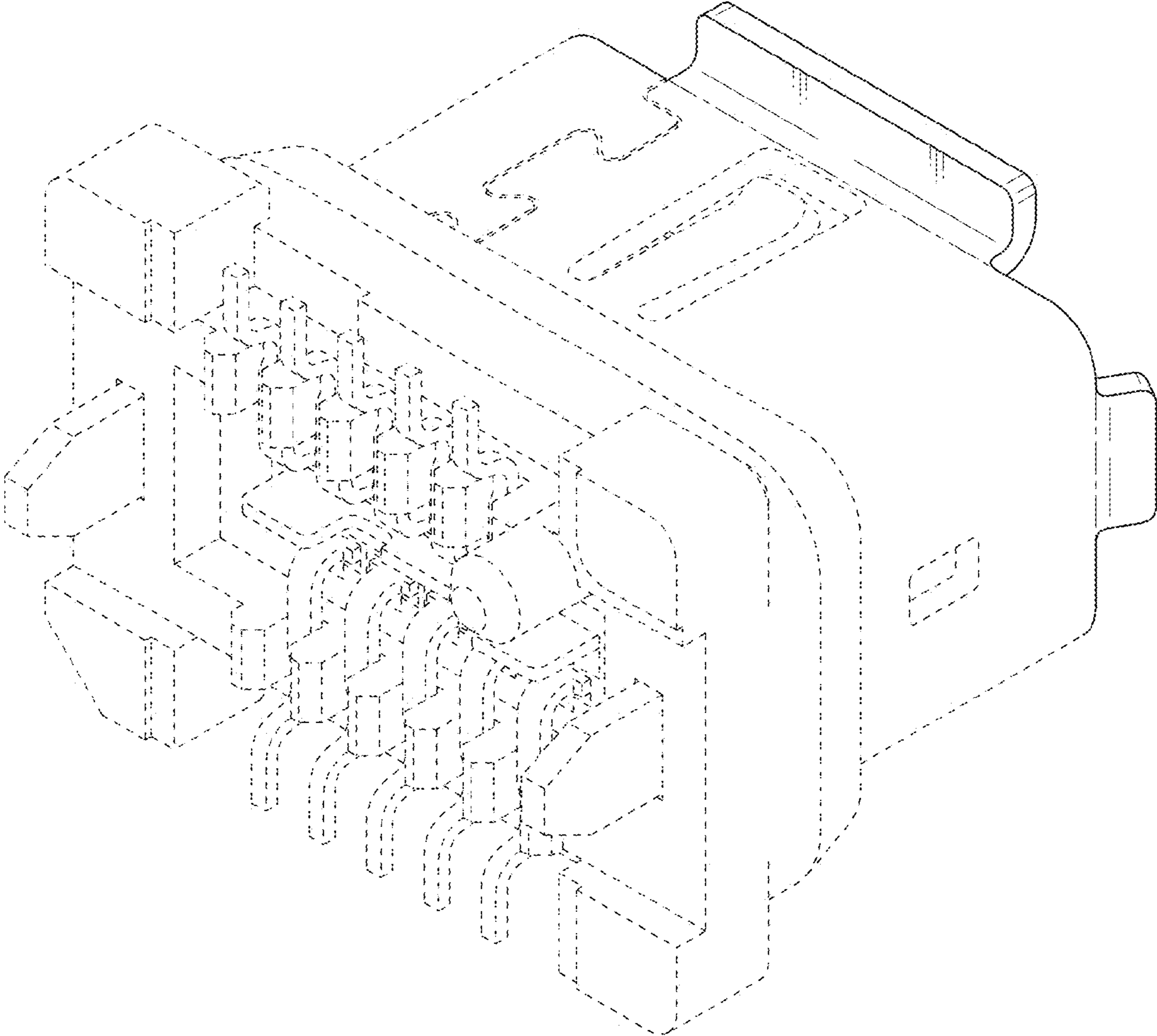


FIG. 4

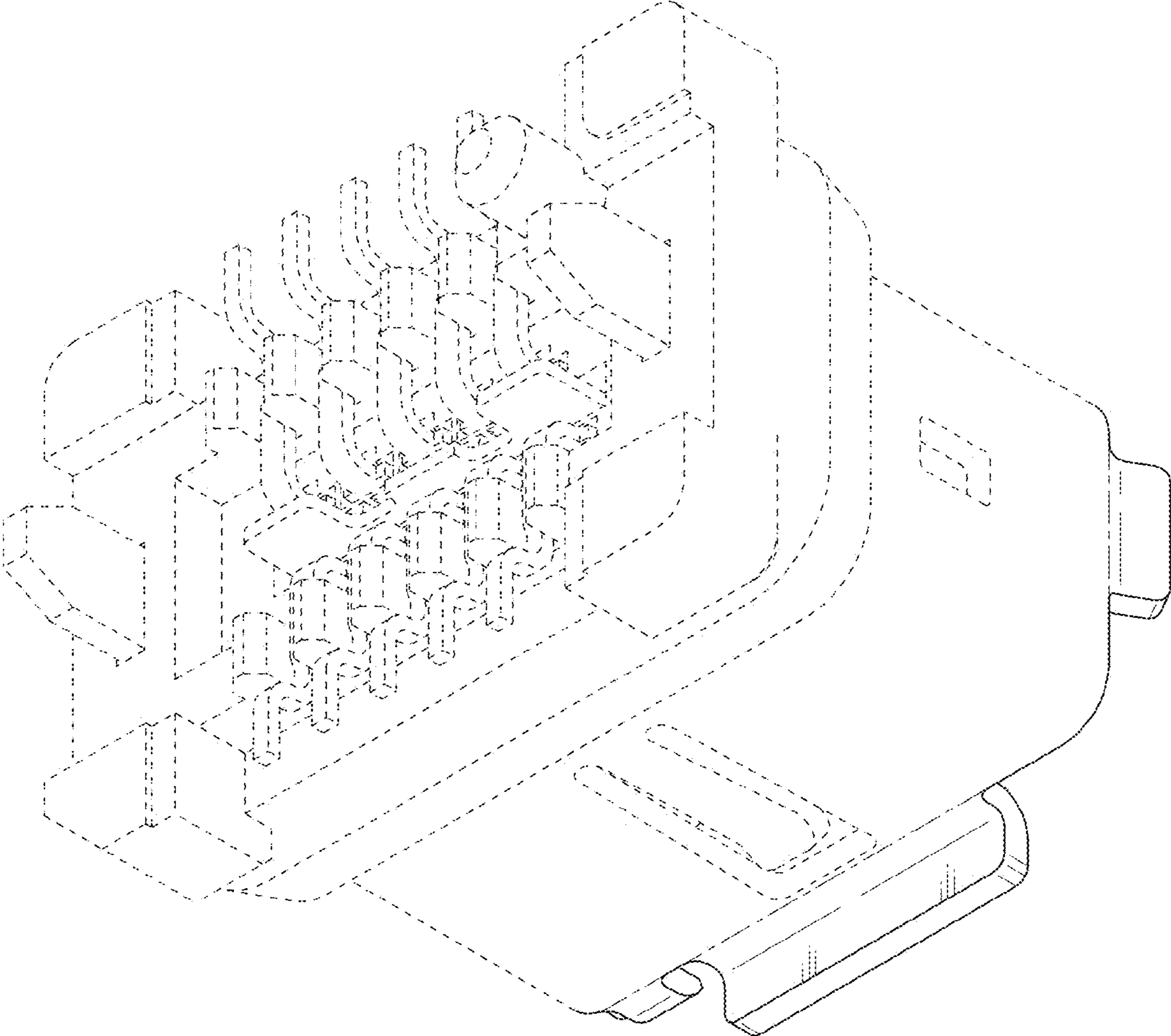


FIG. 5

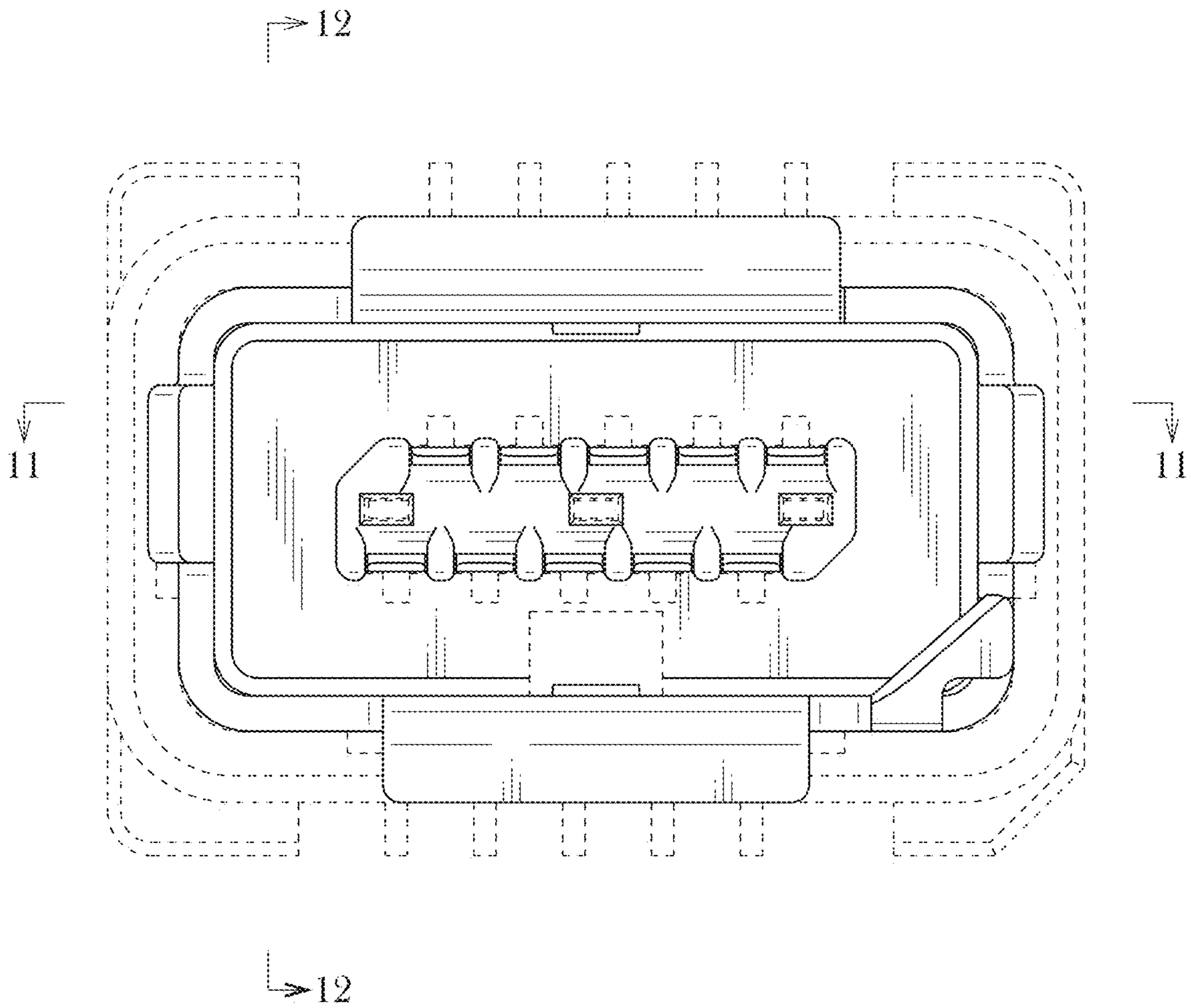


FIG. 6

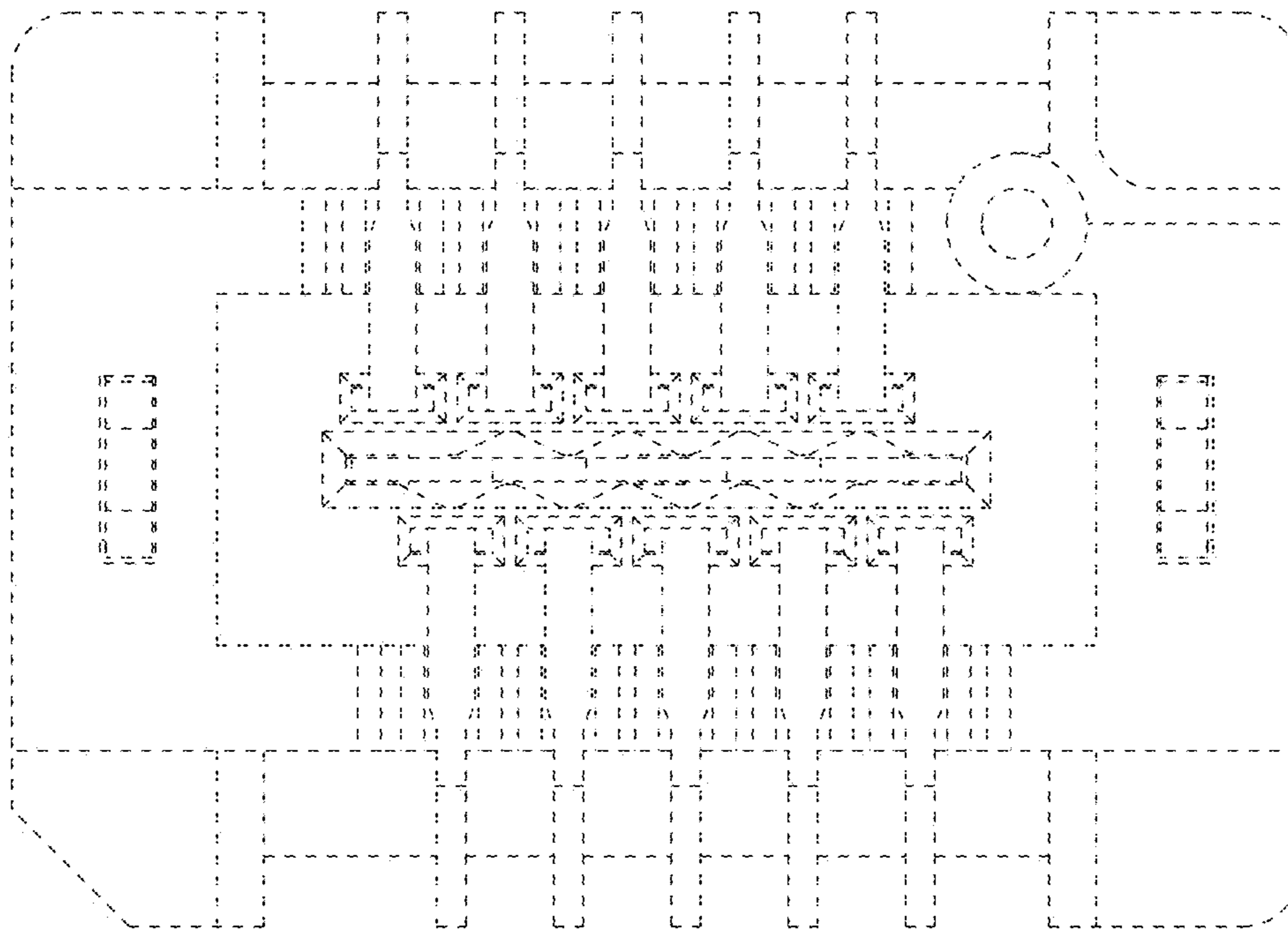


FIG. 7

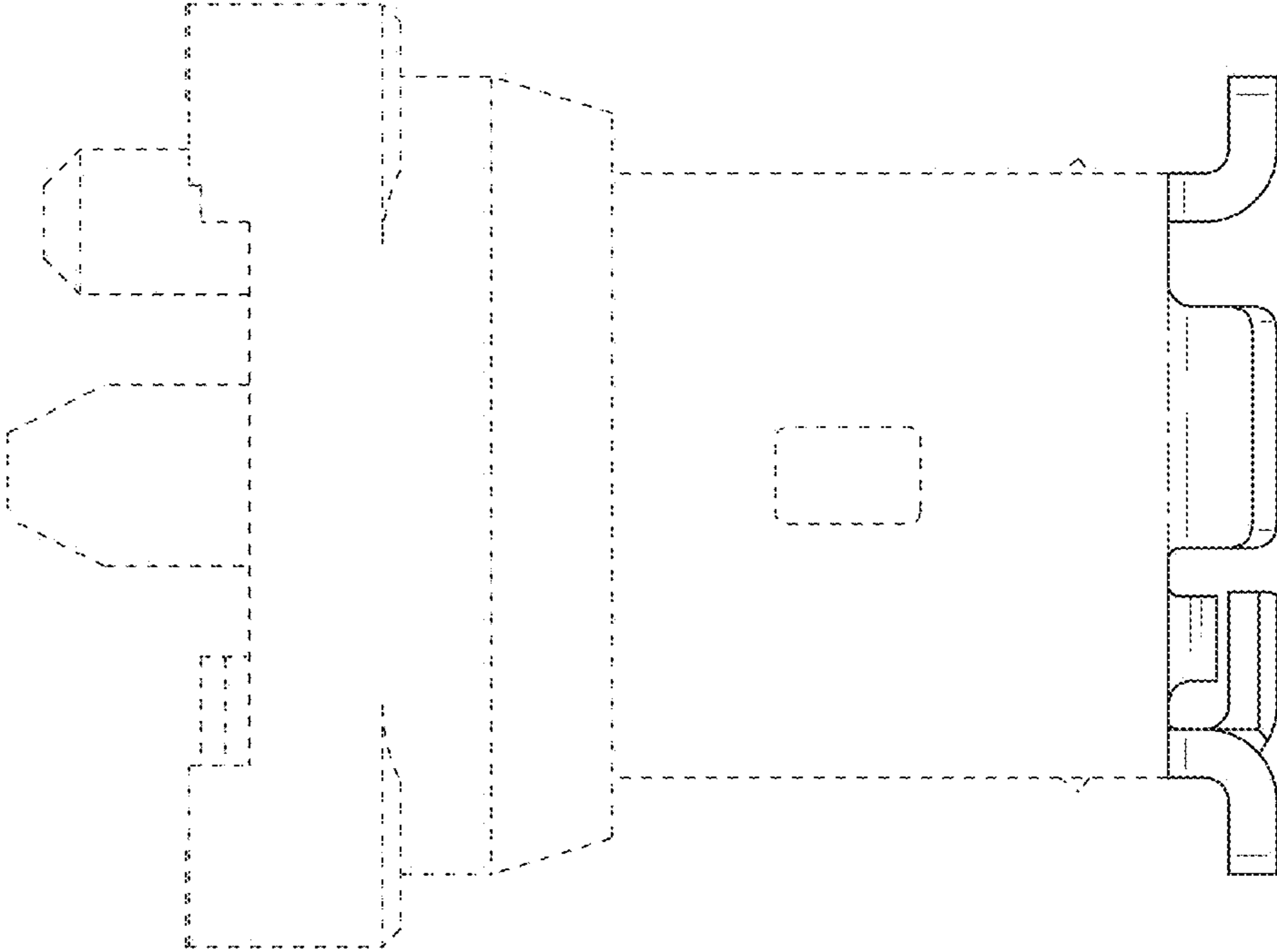


FIG. 8

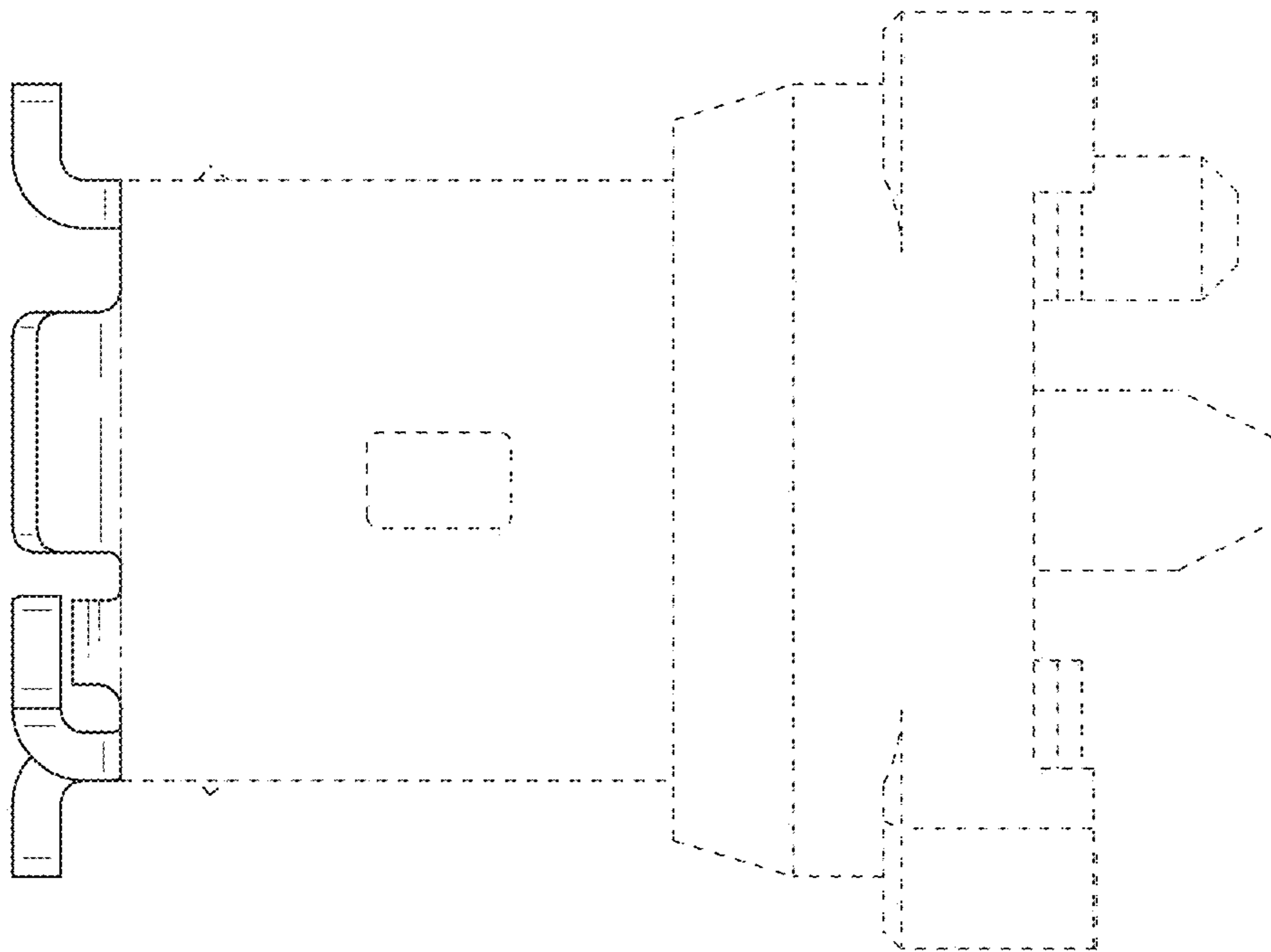


FIG. 9

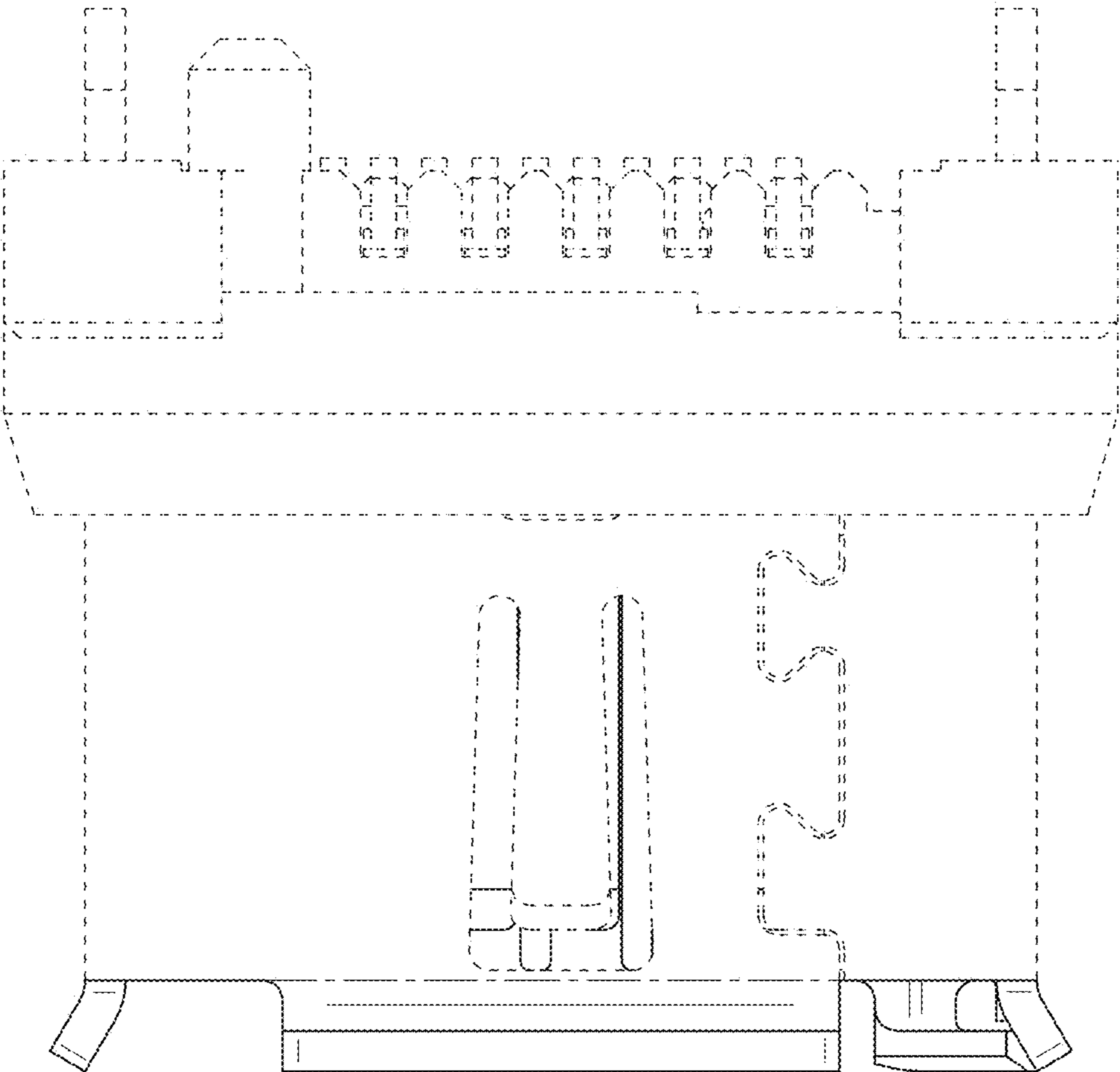


FIG. 10

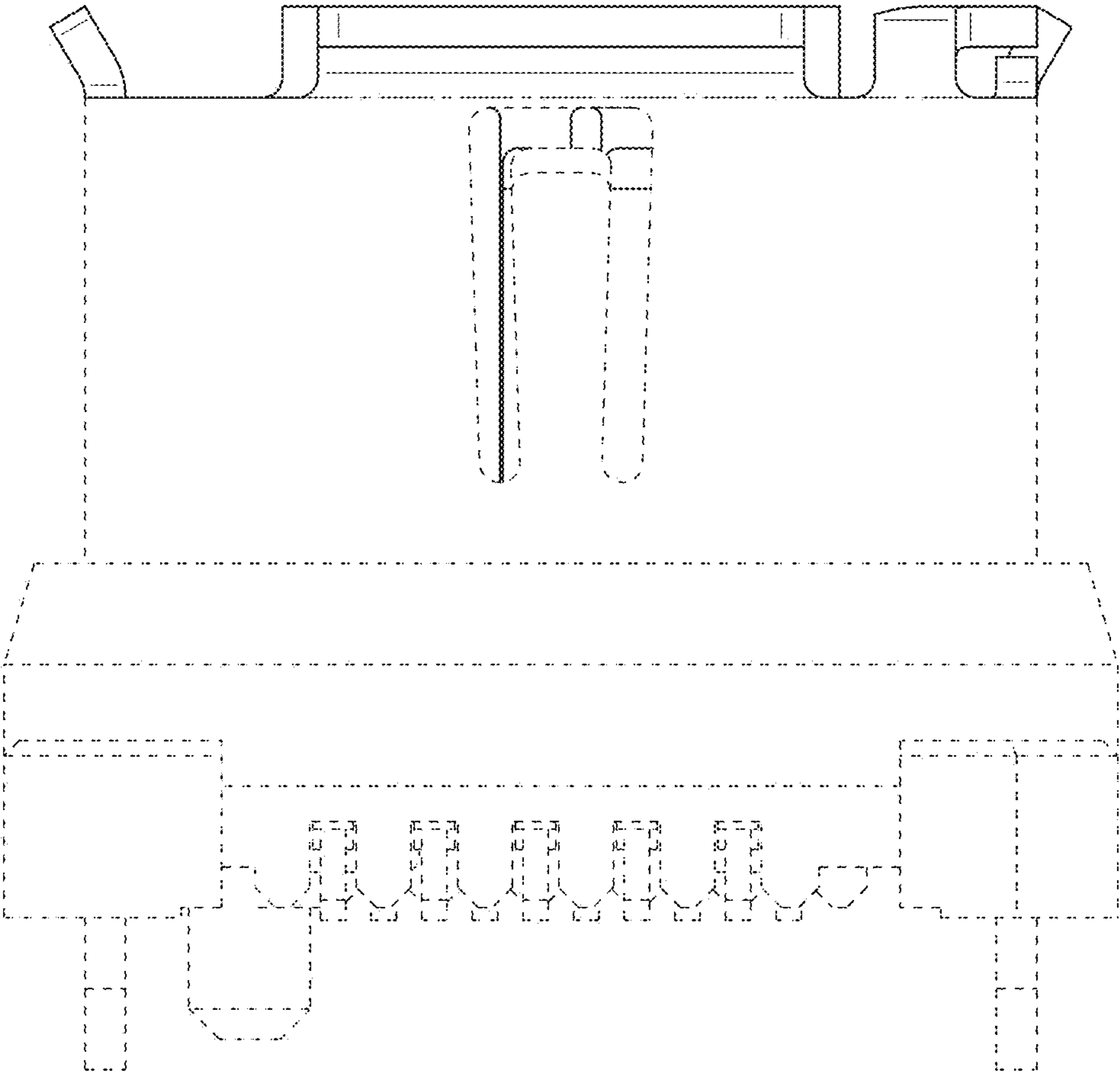


FIG. 11

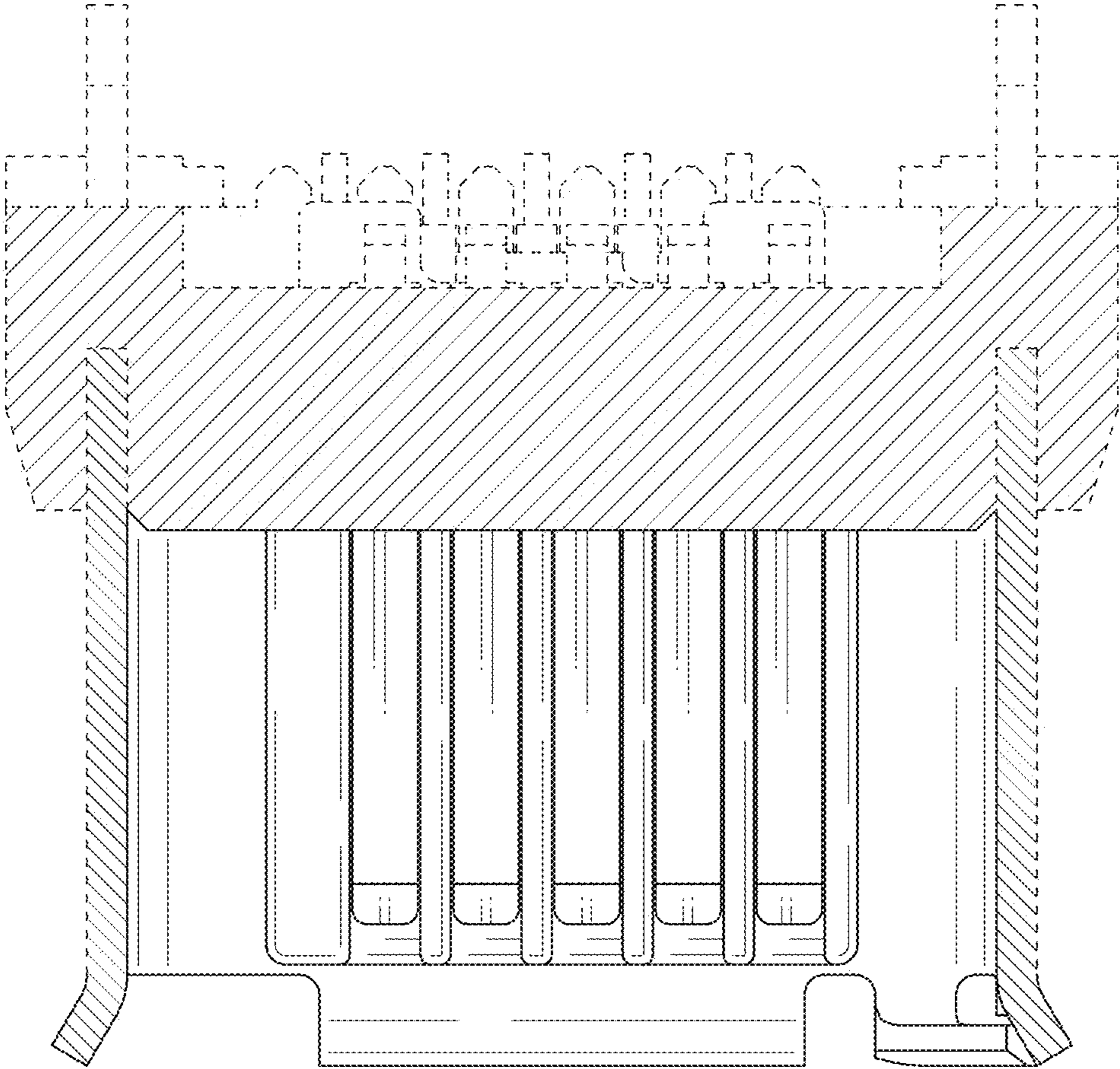


FIG. 12

