



US00D916027S

(12) **United States Design Patent**  
**Kondas**

(10) **Patent No.:** **US D916,027 S**  
(45) **Date of Patent:** **\*\* Apr. 13, 2021**

- (54) **ELECTRICAL RECEPTACLE**
- (71) Applicant: **Group Dekko, Inc.**, Garrett, IN (US)
- (72) Inventor: **Shawn J. Kondas**, Kendallville, IN (US)
- (73) Assignee: **Group Dekko, Inc.**, Garrett, IN (US)
- (\*\*) Term: **15 Years**
- (21) Appl. No.: **29/672,574**
- (22) Filed: **Dec. 6, 2018**
- (51) **LOC (13) Cl.** ..... **13-03**
- (52) **U.S. Cl.**  
USPC ..... **D13/139.3**
- (58) **Field of Classification Search**  
USPC .... D13/139.1-139.8, 137.1-137.4, 108, 155  
CPC ..... H01R 24/78; H01R 13/62; H02G 3/185;  
G06F 1/181; A47B 21/06  
See application file for complete search history.

D755,129 S *	5/2016	Page	.....	D13/139.4
D755,717 S *	5/2016	Riner	.....	D13/108
9,710,025 B2 *	7/2017	Scott	.....	G06F 1/181
9,755,385 B1 *	9/2017	Kondas	.....	H02G 3/185
D799,426 S *	10/2017	Newhouse	.....	D13/139.4
D799,427 S *	10/2017	Newhouse	.....	D13/139.4
D811,338 S *	2/2018	Zhu	.....	D13/139.1
9,887,500 B2 *	2/2018	Riner	.....	H01R 24/78
D826,158 S *	8/2018	Riner	.....	D13/137.2
D872,695 S *	1/2020	Bo	.....	D13/137.2
D872,700 S *	1/2020	Karlsson	.....	D13/155

\* cited by examiner

*Primary Examiner* — Rhea Shields

(74) *Attorney, Agent, or Firm* — Taylor IP, P.C.

(57) **CLAIM**

The ornamental design for an electrical receptacle, as shown and described.

**DESCRIPTION**

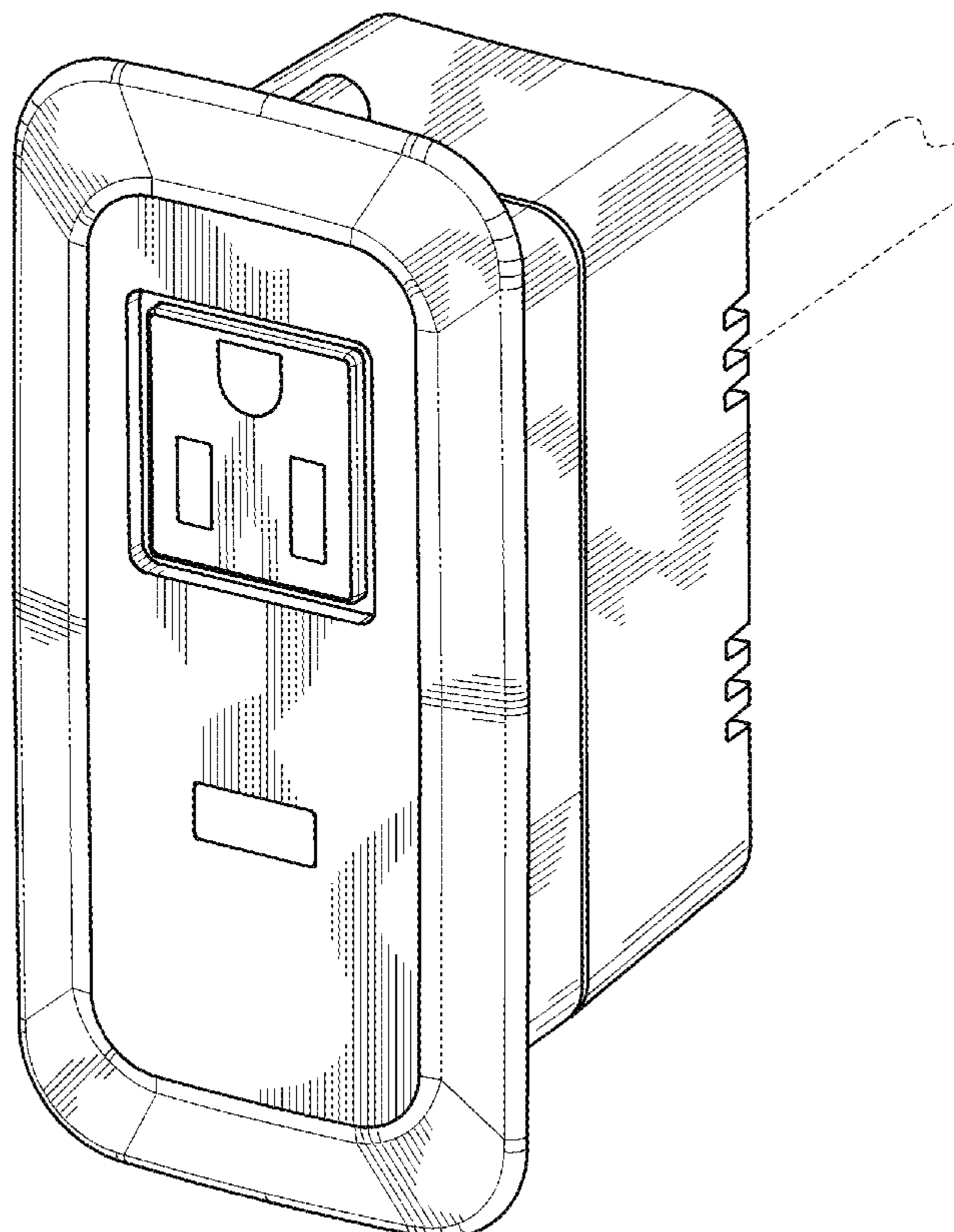
FIG. 1 is a perspective view of an electrical receptacle showing my new design;  
 FIG. 2 is a front view thereof;  
 FIG. 3 is a rear view thereof;  
 FIG. 4 is a top view thereof, the bottom view being a mirror image thereof; and,  
 FIG. 5 is a side view thereof, the opposite side view being a mirror image thereof.  
 In the drawings, the broken lines are for the purpose of illustrating portions of the electrical receptacle that form no part of the claimed design.

**1 Claim, 5 Drawing Sheets**

(56) **References Cited**

**U.S. PATENT DOCUMENTS**

D595,229 S *	6/2009	LaGrotta	.....	D13/137.2
8,317,547 B2 *	11/2012	Riner	.....	H01R 13/62 439/687
D711,828 S *	8/2014	Mozdzer	.....	D13/139.1
D742,830 S *	11/2015	Croft	.....	D13/137.2
9,288,924 B2 *	3/2016	Page	.....	A47B 21/06
D755,128 S *	5/2016	Page	.....	D13/139.4



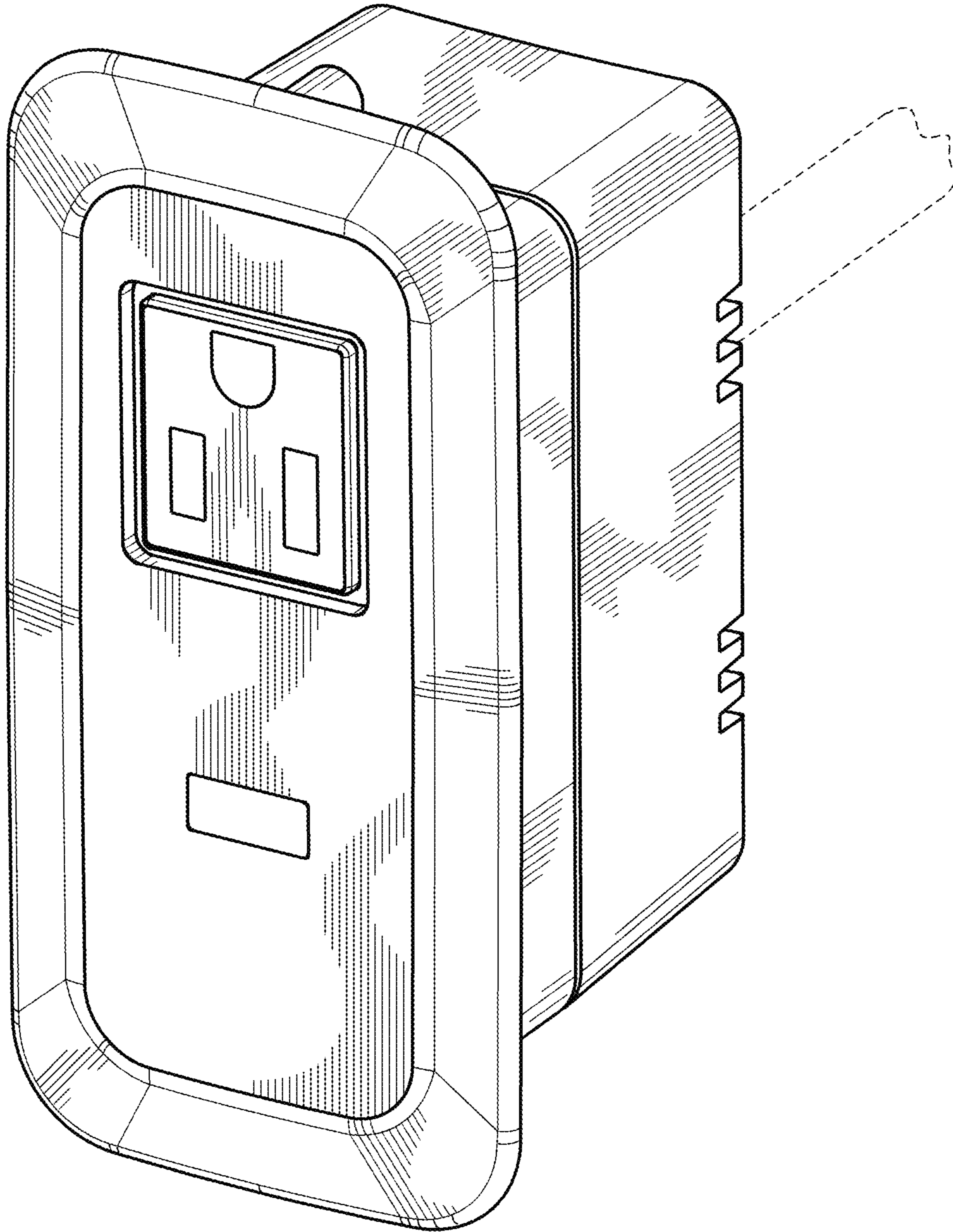


FIG. 1

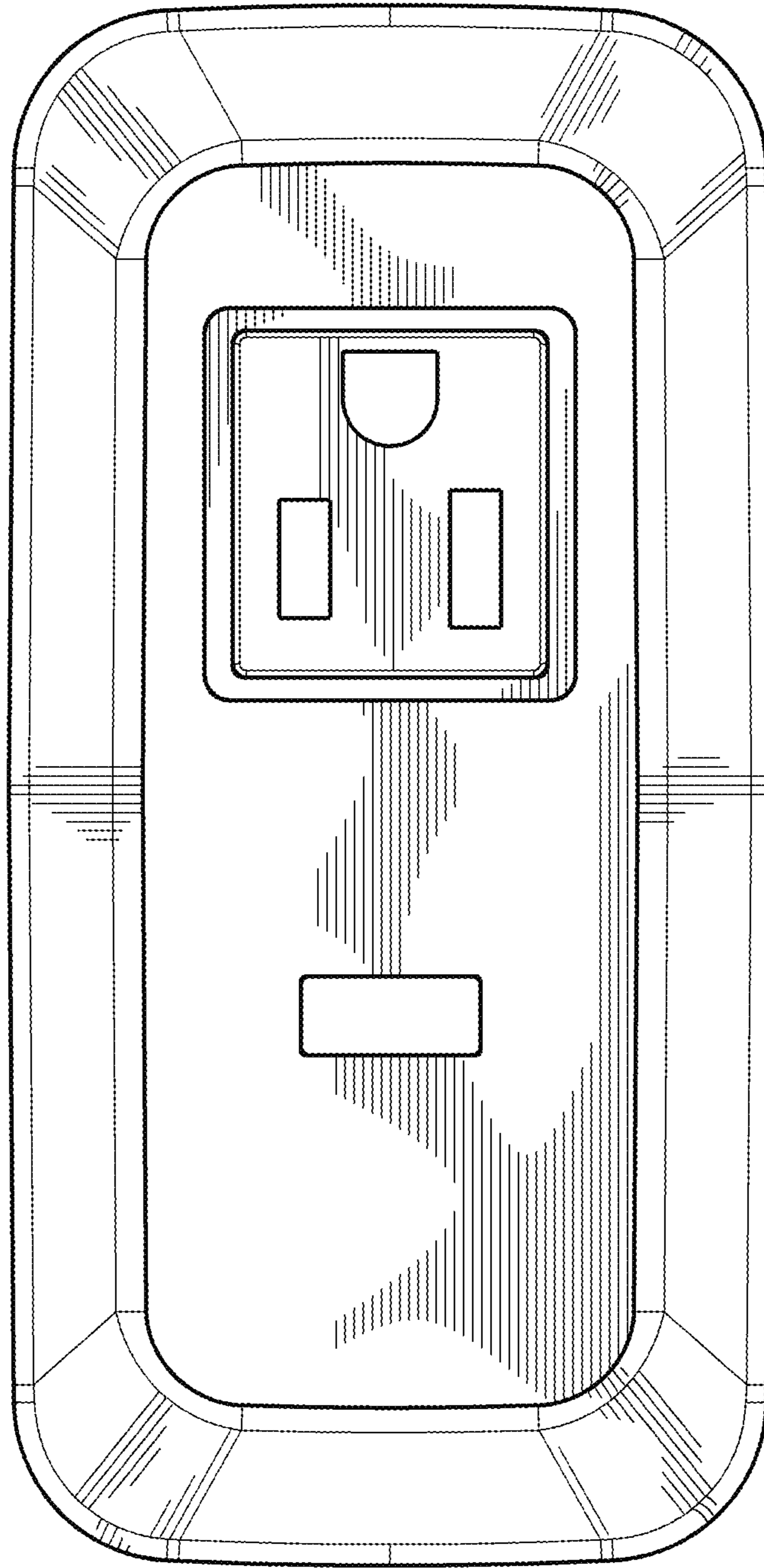


FIG. 2



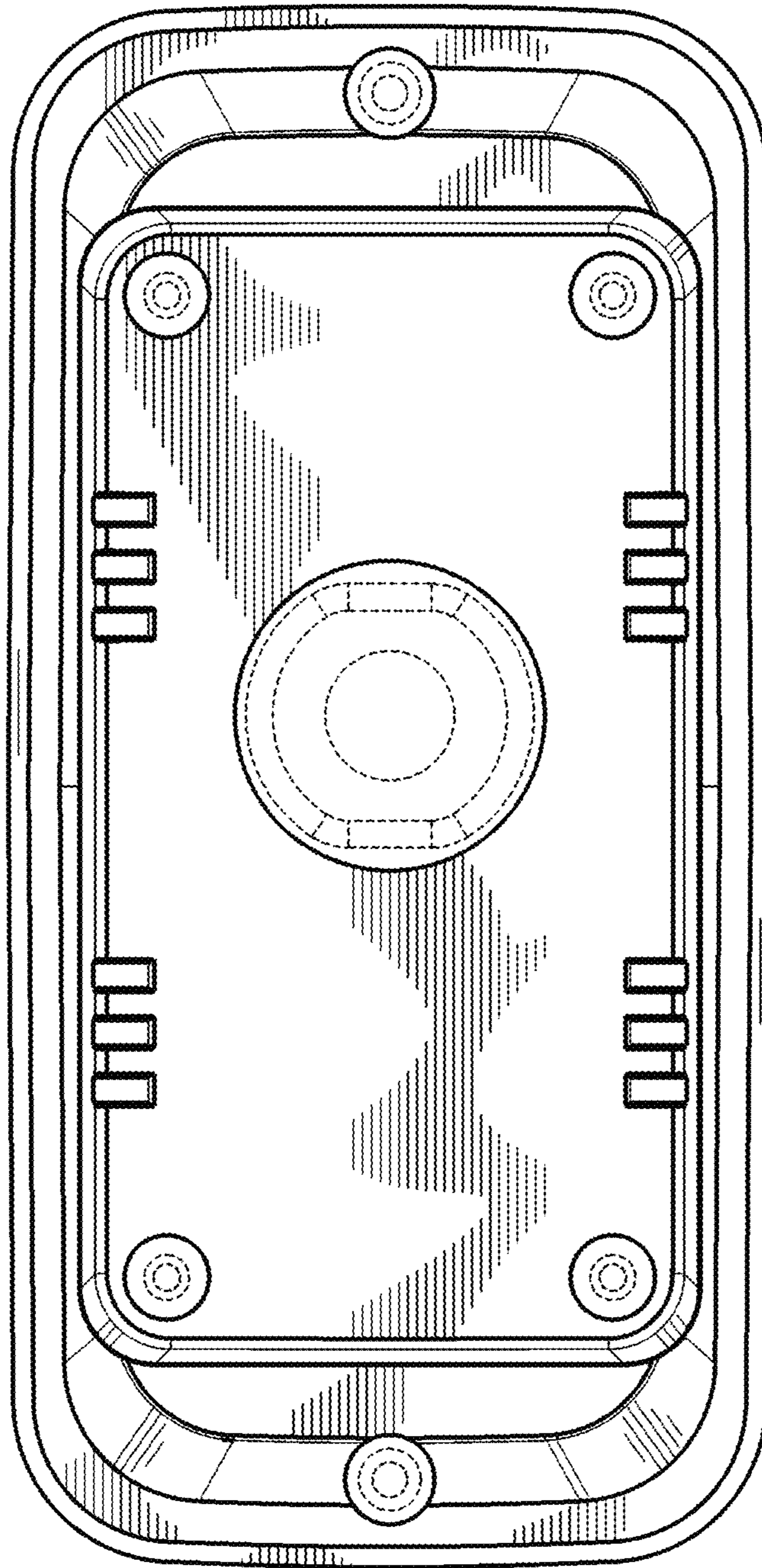


FIG. 3

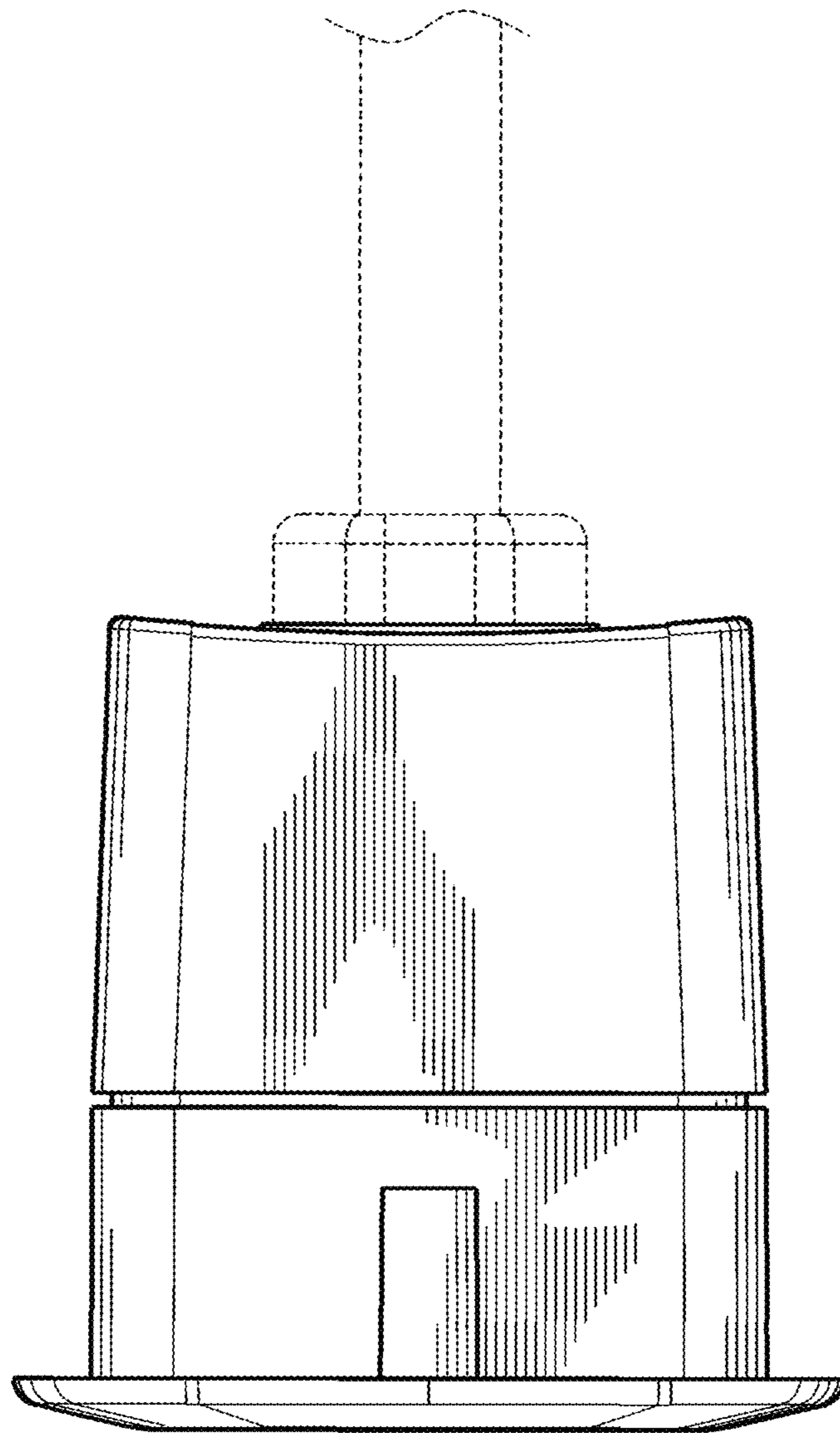


FIG. 4

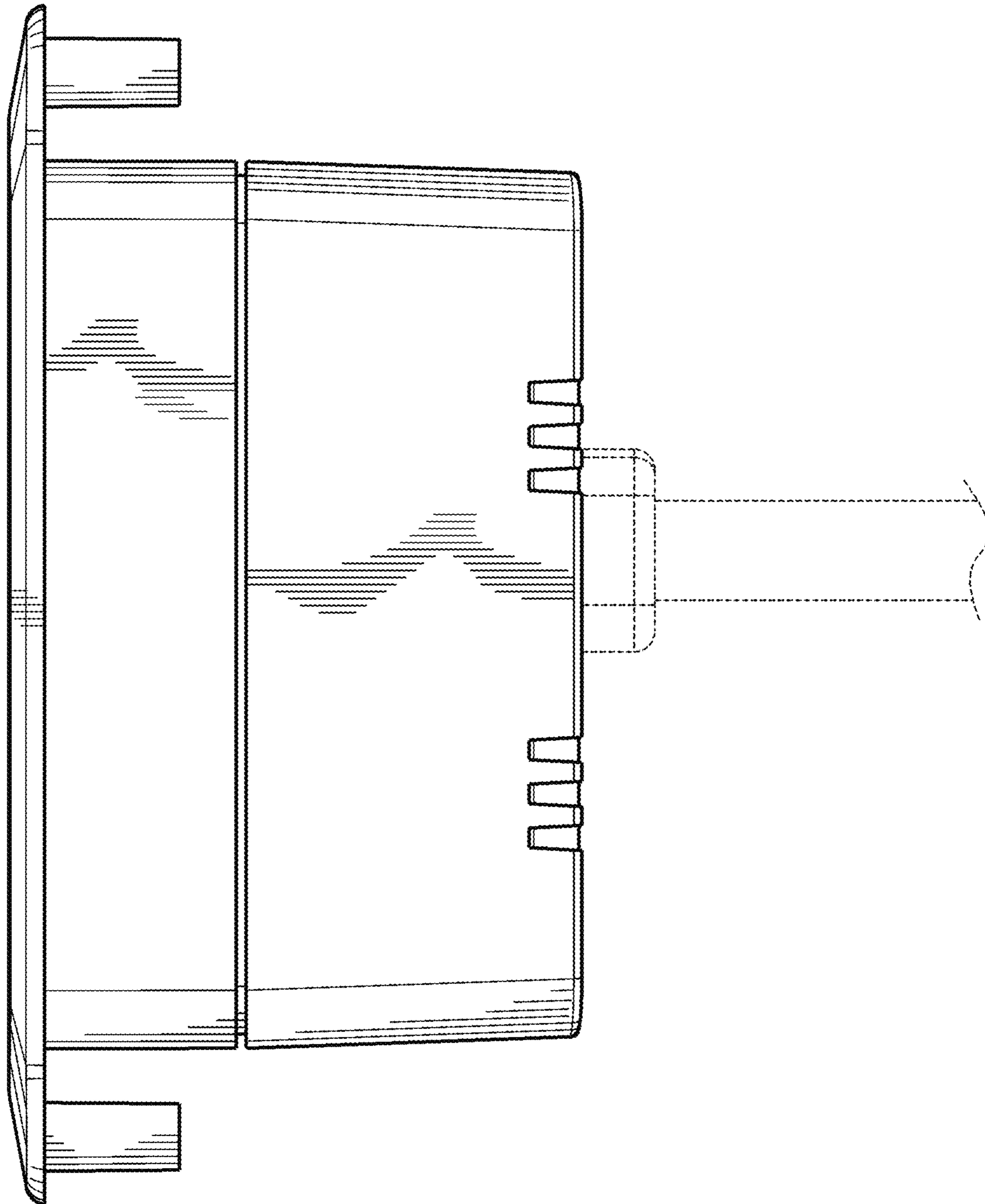


FIG. 5